



US00D649127S

(12) **United States Design Patent**
Ono

(10) **Patent No.:** **US D649,127 S**

(45) **Date of Patent:** **** Nov. 22, 2011**

(54) **CRYSTAL UNIT**

(75) Inventor: **Kozo Ono**, Saitama (JP)

(73) Assignee: **Nihon Dempa Kogyo Co., Ltd.**, Tokyo (JP)

(**) Term: **14 Years**

(21) Appl. No.: **29/376,961**

(22) Filed: **Oct. 14, 2010**

Related U.S. Application Data

(62) Division of application No. 29/313,711, filed on Feb. 4, 2009, now Pat. No. Des. 630,597.

(51) **LOC (9) Cl.** **13-03**

(52) **U.S. Cl.** **D13/182**

(58) **Field of Classification Search** D13/180, D13/182, 184, 199; 310/344, 345, 364
See application file for complete search history.

(56) **References Cited**

U.S. PATENT DOCUMENTS

4,471,259	A	9/1984	Stoermer et al.
5,449,965	A	9/1995	Tsuru
5,596,243	A	1/1997	Tsuru et al.
6,229,249	B1	5/2001	Hatanaka et al.
6,833,654	B2	12/2004	Rubach

7,135,810	B2	11/2006	Okajima
7,429,759	B2	9/2008	Isokawa
7,521,843	B2	4/2009	Naruse
7,557,493	B2	7/2009	Fujimoto
7,564,177	B2	7/2009	Yoshimatsu et al.
7,745,978	B2*	6/2010	Harima 310/344
D630,597	S*	1/2011	Ono D13/182
2002/0123163	A1	9/2002	Fujii

* cited by examiner

Primary Examiner — Selina Sikder

(74) *Attorney, Agent, or Firm* — Scott D. Wofsy; Edwards Wildman Palmer LLP

(57) **CLAIM**

The ornamental design for a crystal unit, as shown and described.

DESCRIPTION

FIG. 1 is a perspective view from the top of a crystal unit of a new design;
FIG. 2 is a perspective view from the bottom thereof;
FIG. 3 is a front view thereof;
FIG. 4 is a plan view thereof;
FIG. 5 is a bottom plan view thereof;
FIG. 6 is a left side view thereof; and,
FIG. 7 is a sectional view taken along line 7-7 of FIG. 4 view.
The broken lines shown in the drawings represent unclaimed portions of the crystal unit and form no part of the claimed design.

1 Claim, 4 Drawing Sheets

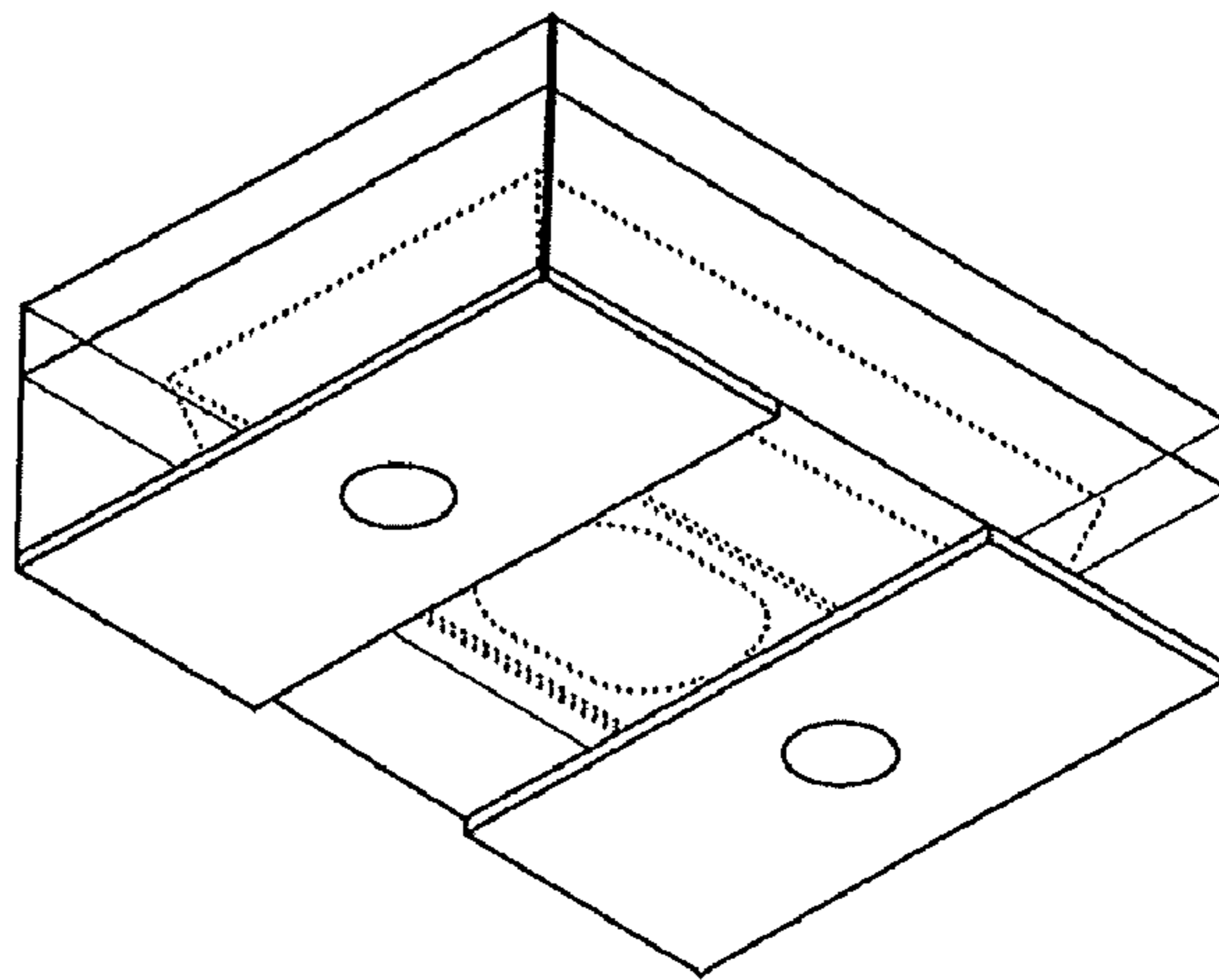
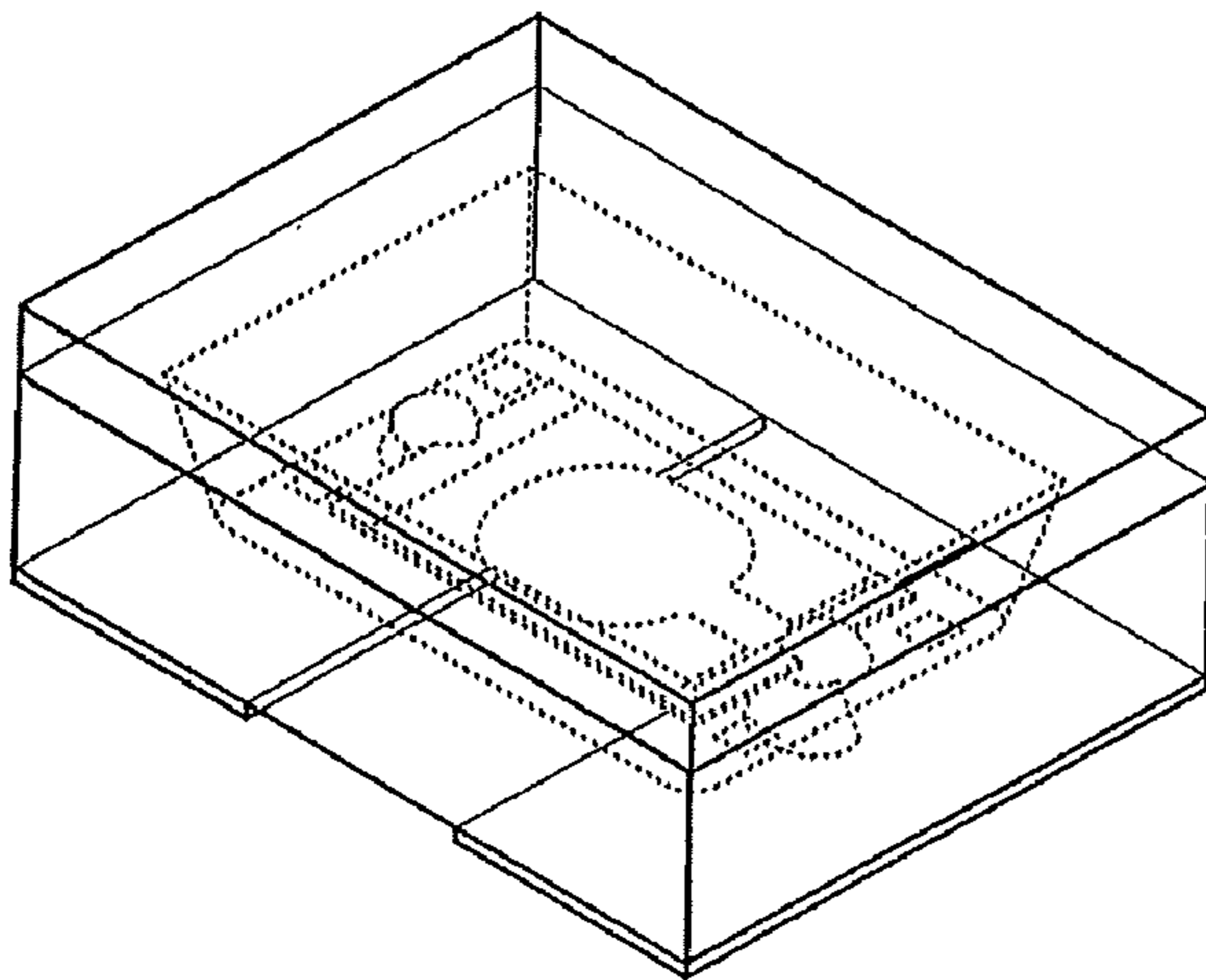


FIG.1

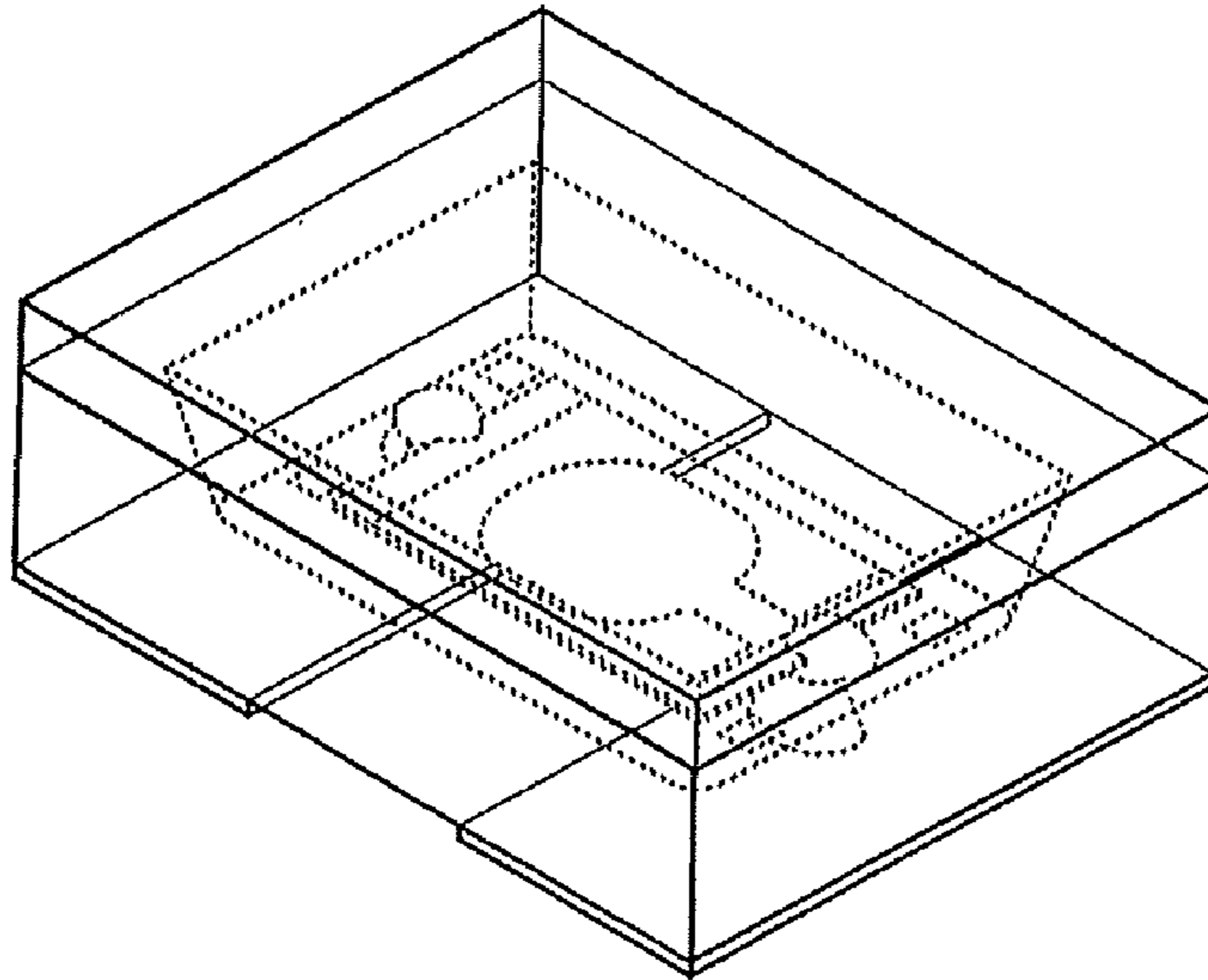


FIG.2

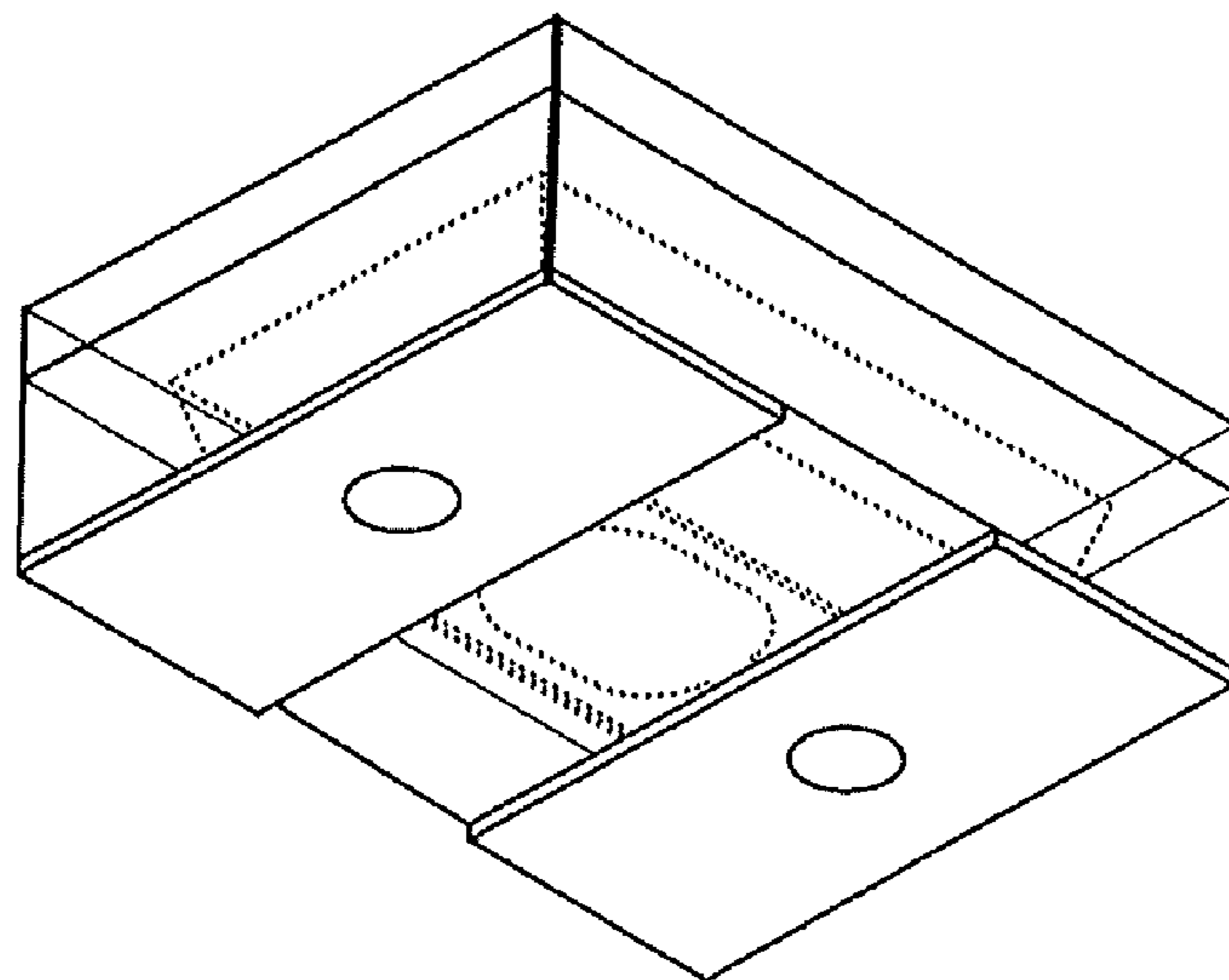


FIG.3

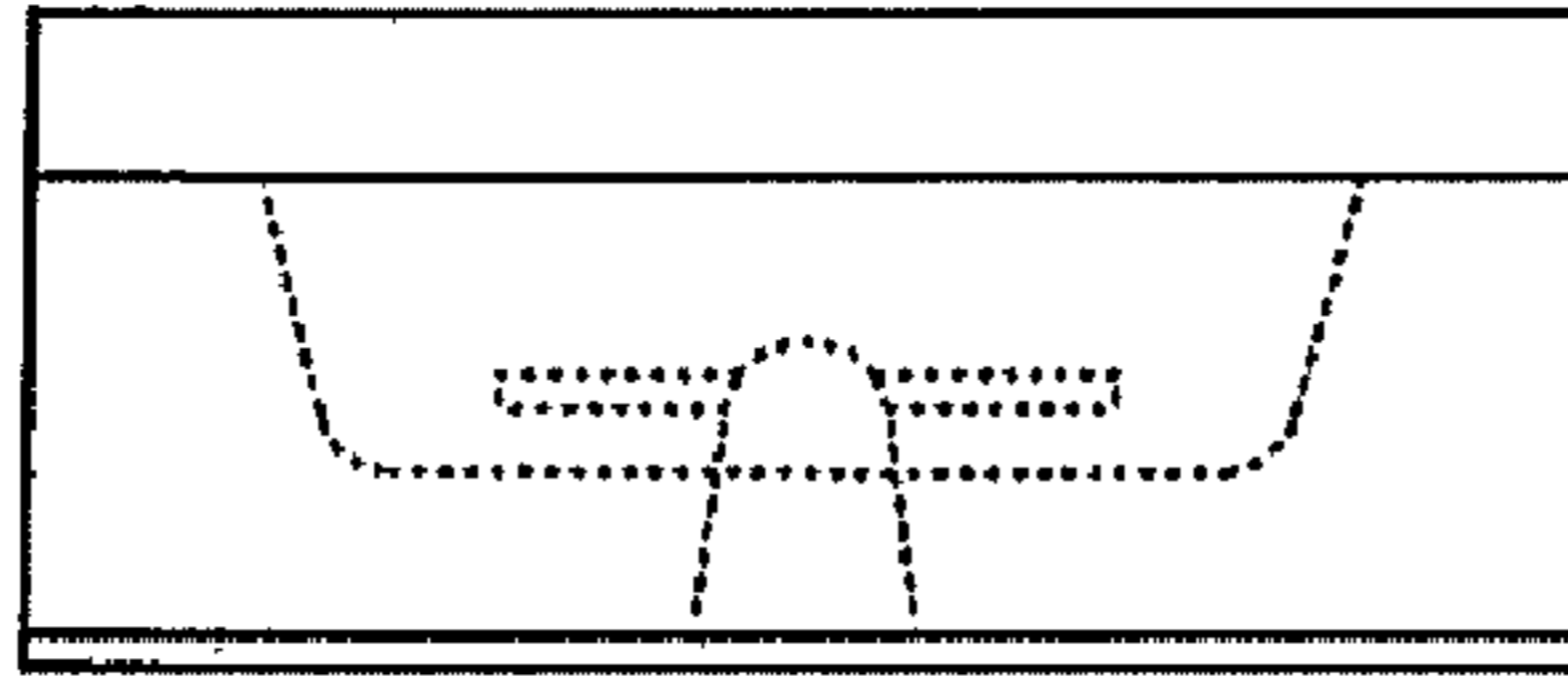


FIG.4

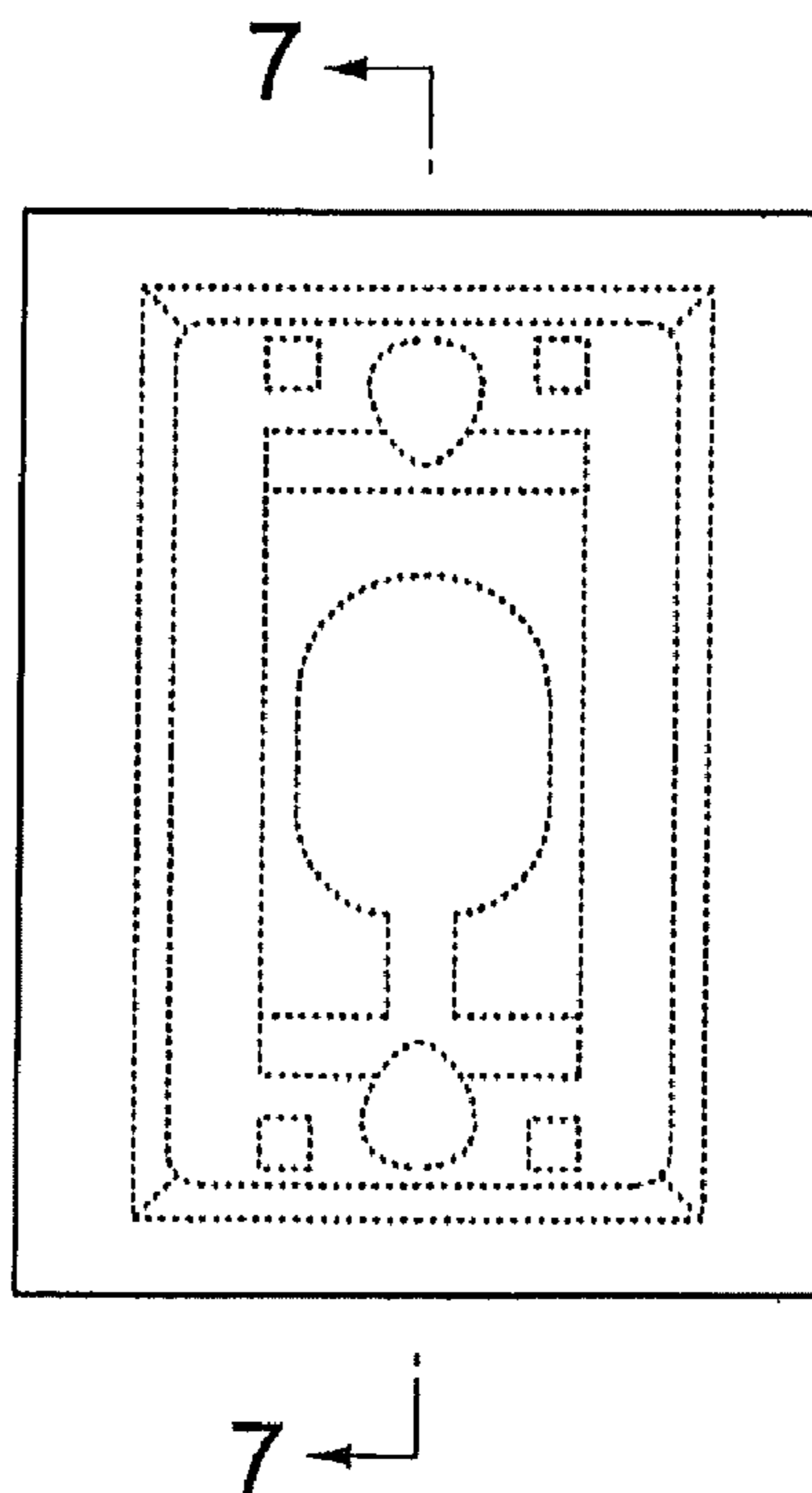


FIG.5

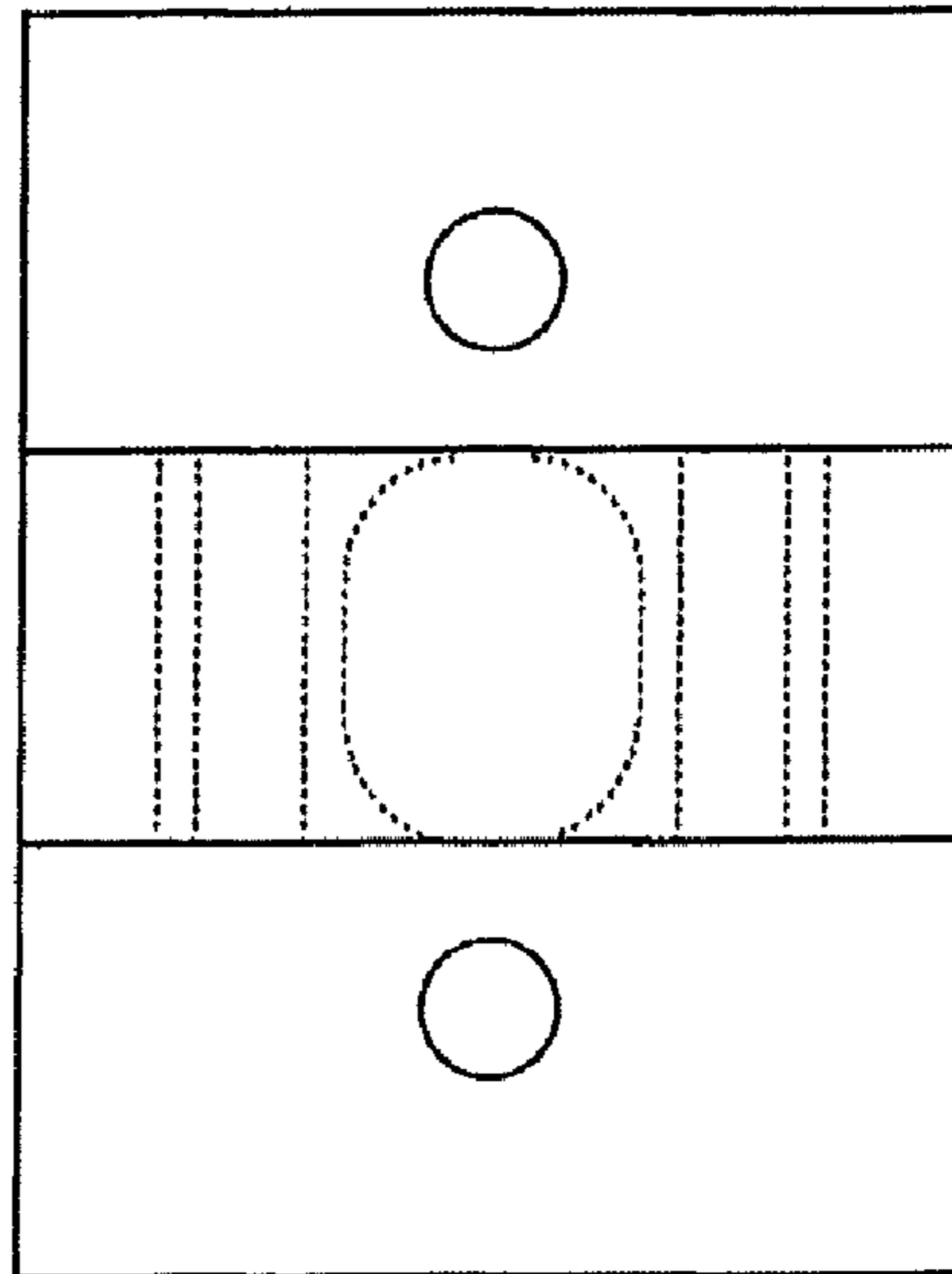


FIG.6

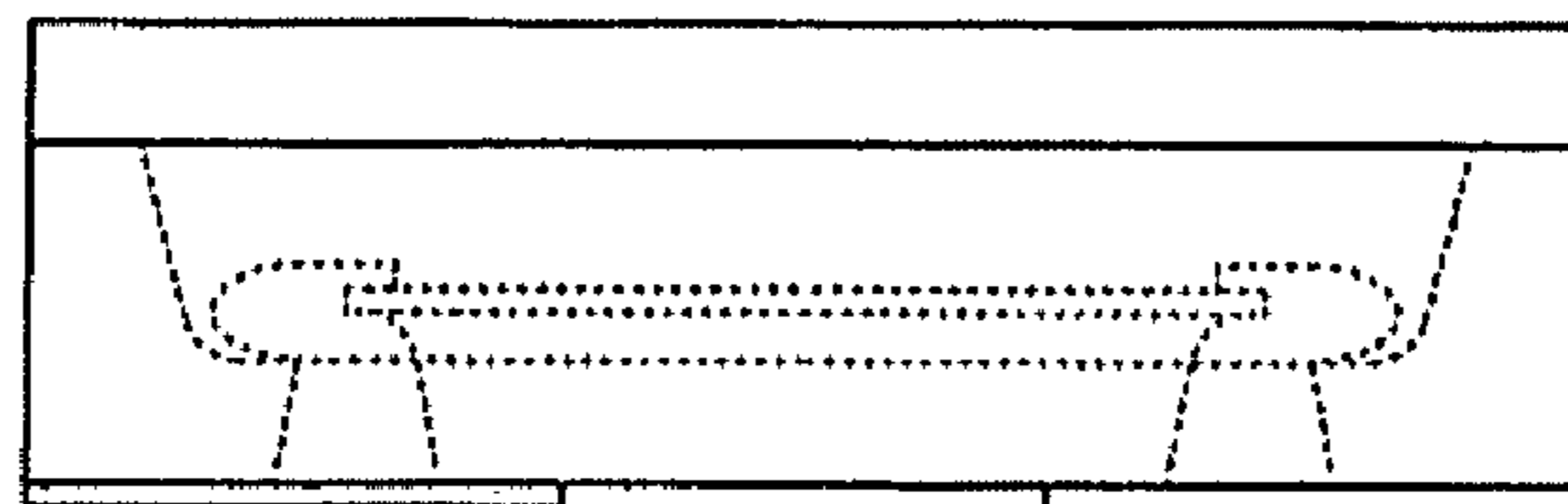


FIG.7

