



US00D649125S

(12) **United States Design Patent**
Clymer et al.

(10) **Patent No.:** **US D649,125 S**
(45) **Date of Patent:** **** Nov. 22, 2011**

(54) **BUTTONS FOR A WINDOW BLIND CONTROL**

(75) Inventors: **Erica L. Clymer**, Nazareth, PA (US);
Matthew R. Hontz, Allentown, PA (US);
MacKenzie Mor, Bethlehem, PA (US);
Gregory Altonen, Easton, PA (US);
Elliot G. Jacoby, Glenside, PA (US);
Jason C. Killo, Emmaus, PA (US)

(73) Assignee: **Lutron Electronics Co., Inc.**,
Coopersburg, PA (US)

(**) Term: **14 Years**

(21) Appl. No.: **29/375,129**

(22) Filed: **Sep. 17, 2010**

(51) **LOC (9) Cl.** **13-03**

(52) **U.S. Cl.** **D13/174**

(58) **Field of Classification Search** D13/162,
D13/164, 171, 174; 200/518, 520, 530, 302.2,
200/314, 317, 341; 160/1, 120, 123, 310;
318/466, 600

See application file for complete search history.

(56) **References Cited**

U.S. PATENT DOCUMENTS

D320,786	S	*	10/1991	Darnell et al.	D13/171
6,365,855	B1	*	4/2002	Sutter et al.	200/314
D490,780	S		6/2004	Mayo et al.		
D516,045	S	*	2/2006	Street	D13/171
D531,587	S		11/2006	Poulet		
7,315,146	B2		1/2008	Bejean		
D587,215	S	*	2/2009	Ohlert et al.	D13/174
7,525,277	B2		4/2009	Bejean et al.		
D592,606	S		5/2009	Felegy, Jr. et al.		
D592,608	S		5/2009	Felegy, Jr. et al.		
D592,611	S		5/2009	Altonen et al.		
D596,143	S		7/2009	Felegy, Jr. et al.		
D596,588	S	*	7/2009	Ohlert et al.	D13/174
D614,589	S		4/2010	Altonen et al.		

D616,835	S		6/2010	Felegy, Jr. et al.		
D616,836	S		6/2010	Felegy, Jr. et al.		
D619,105	S		7/2010	Felegy, Jr. et al.		
D631,856	S	*	2/2011	Altonen et al.	D13/174
7,931,068	B2	*	4/2011	Carmen et al.	160/120
2006/0016676	A1	*	1/2006	Jung	200/314
2007/0153494	A1	*	7/2007	Huang	362/20

OTHER PUBLICATIONS

U.S. Appl. No. 29/360,748, filed Apr. 30, 2010, Felegy, Jr. et al.

(Continued)

Primary Examiner — Selina Sikder

(74) *Attorney, Agent, or Firm* — Mark E. Rose; Philip N. Smith; Bridget L. McDonough

(57) **CLAIM**

We claim the ornamental design for buttons for a window blind control, as shown and described.

DESCRIPTION

FIG. 1 is a perspective view of buttons for a window blind control according to a first embodiment of our new design.

FIG. 2 is a front view thereof.

FIG. 3 is a left side view thereof.

FIG. 4 is a right side view thereof.

FIG. 5 is a top view thereof.

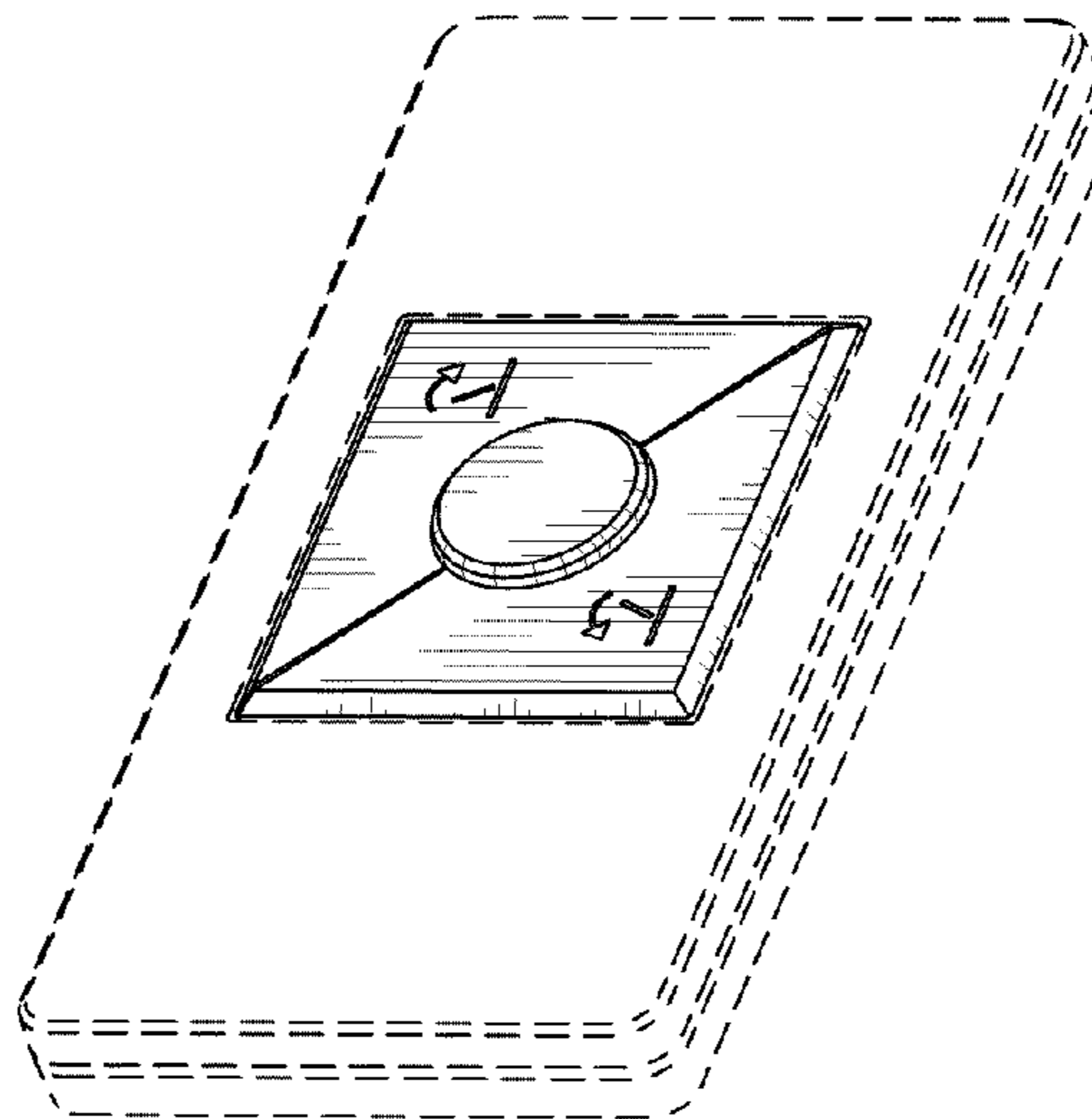
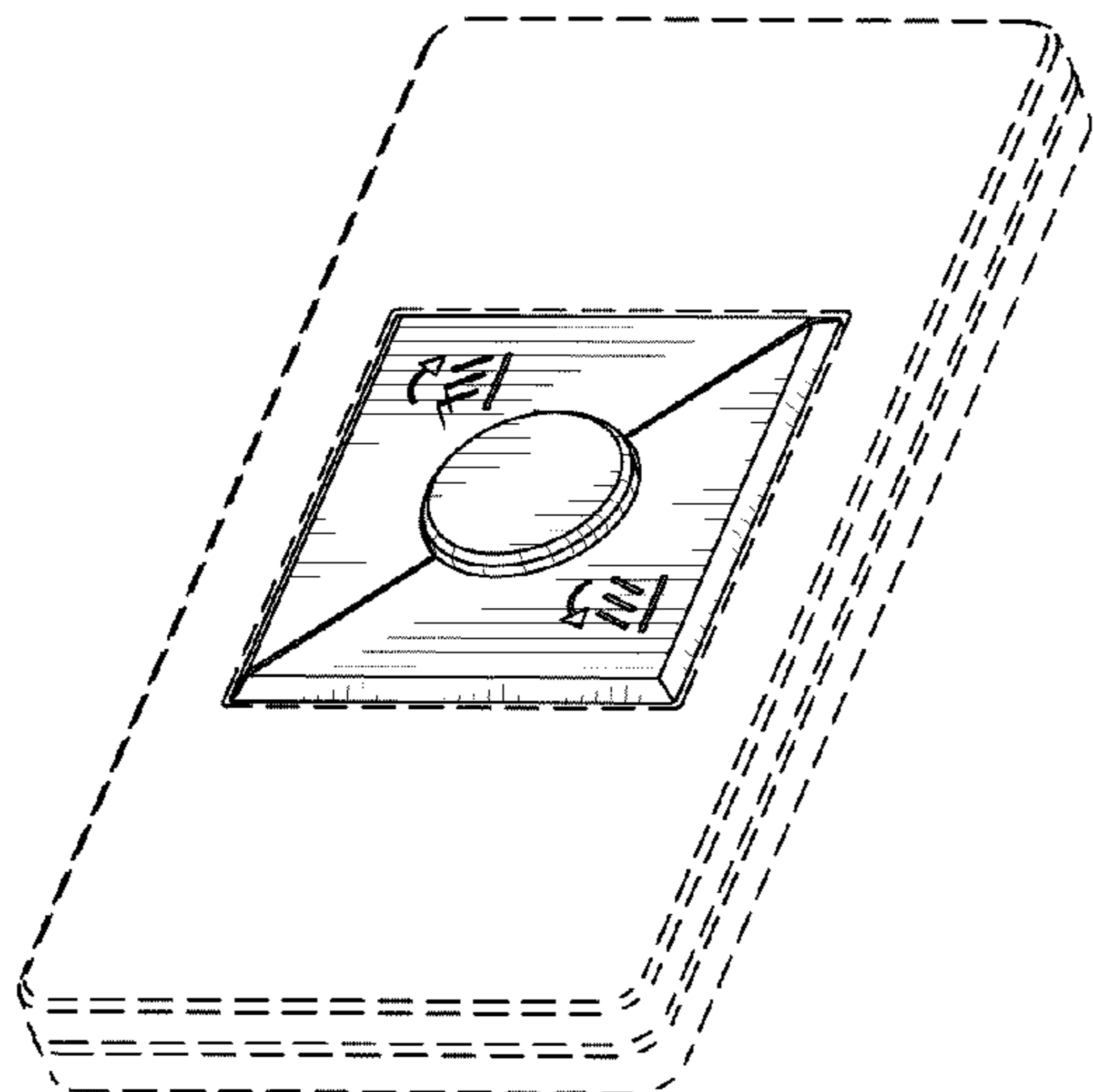
FIG. 6 is a bottom view thereof.

FIG. 7 is a perspective view of buttons for a window blind control according to a second embodiment of our new design; and,

FIG. 8 is a front view thereof, the rear, left side, right side, top, and bottom views, respectively, of the second embodiment being identical to the rear, left side, right side, top, and bottom views of the first embodiment.

The rear views form no part of the design and are omitted. The portions of the drawings appearing in broken line are for environment only and do not form a part of the claimed design.

1 Claim, 6 Drawing Sheets



OTHER PUBLICATIONS

U.S. Appl. No. 29/360,752, filed Apr. 30, 2010, Felegy, Jr. et al.
U.S. Appl. No. 29/360,753, filed Apr. 30, 2010, Altonen et al.
U.S. Appl. No. 29/360,755, filed Apr. 30, 2010, Felegy, Jr. et al.
U.S. Appl. No. 29/360,782, filed Apr. 30, 2010, Lind, III et al.

U.S. Appl. No. 29/360,784, filed Apr. 30, 2010, Lind, III et al.
Somfy Systems, Inc., Tilt Wirefree Remote Control Brochure, Jun.
2008, 4 pages.

* cited by examiner

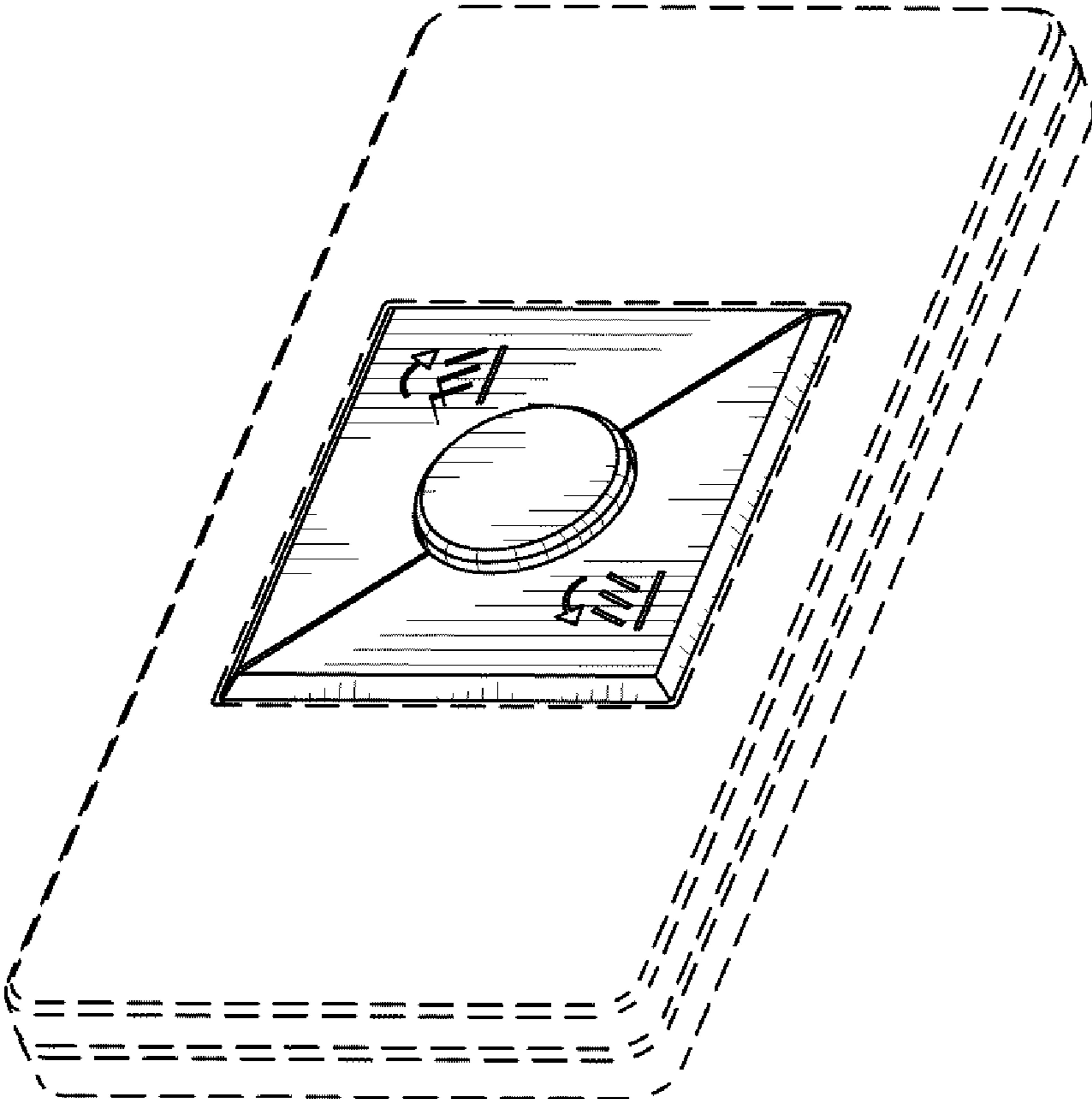


Fig. 1

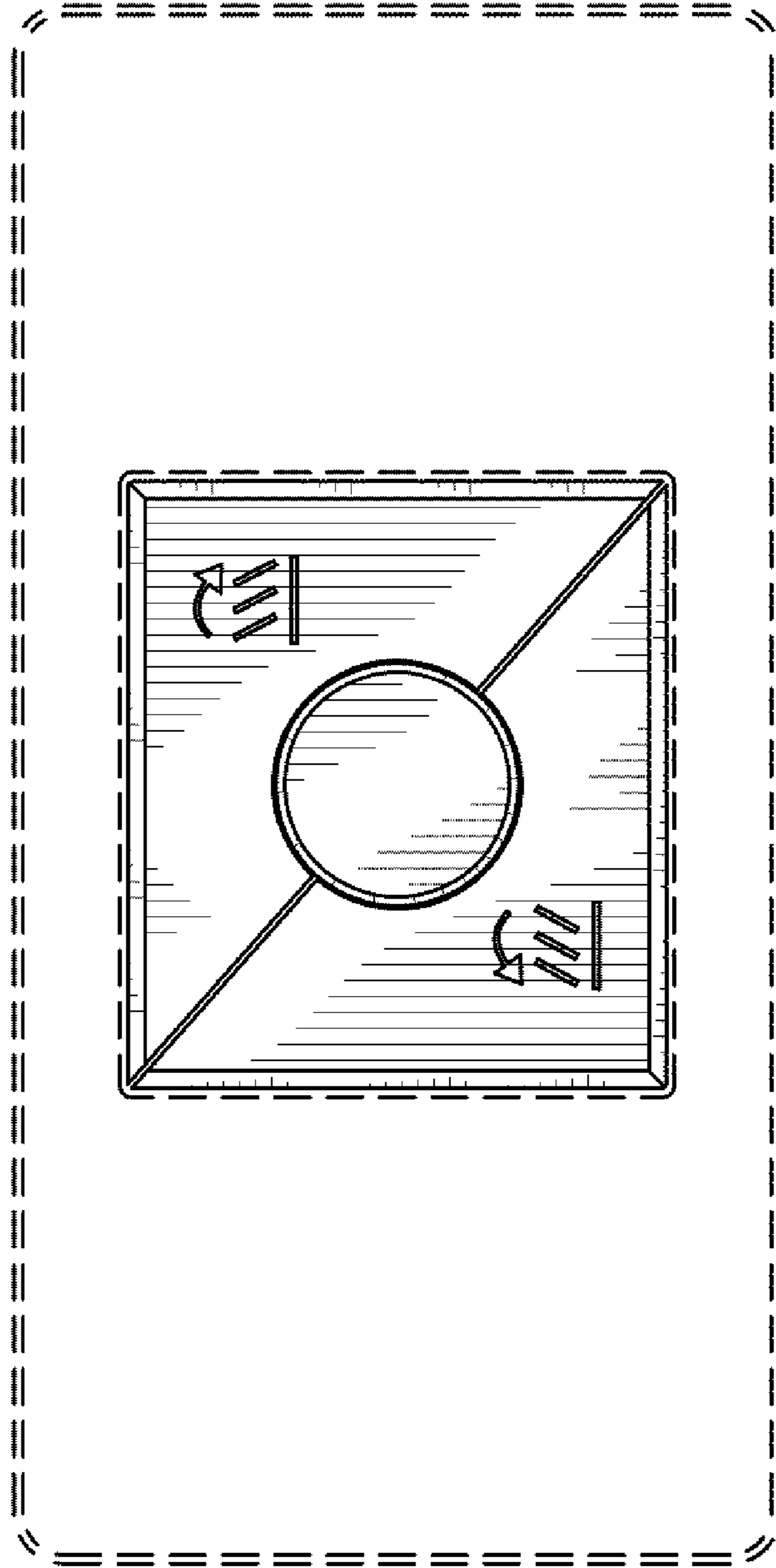


Fig. 2

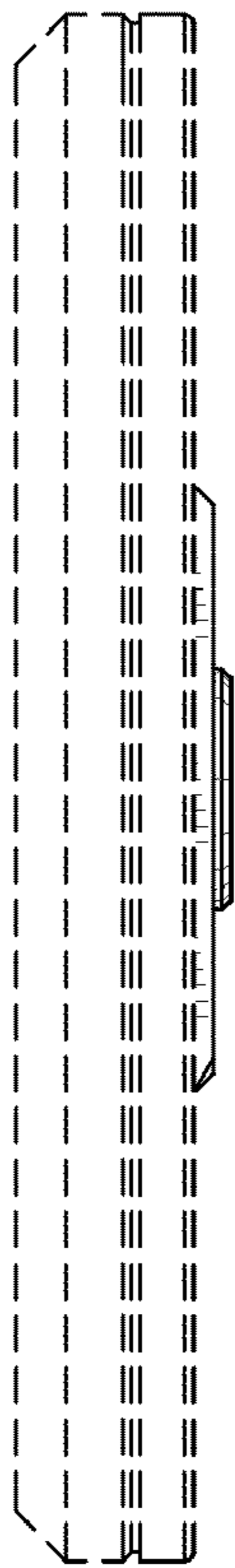


Fig. 3

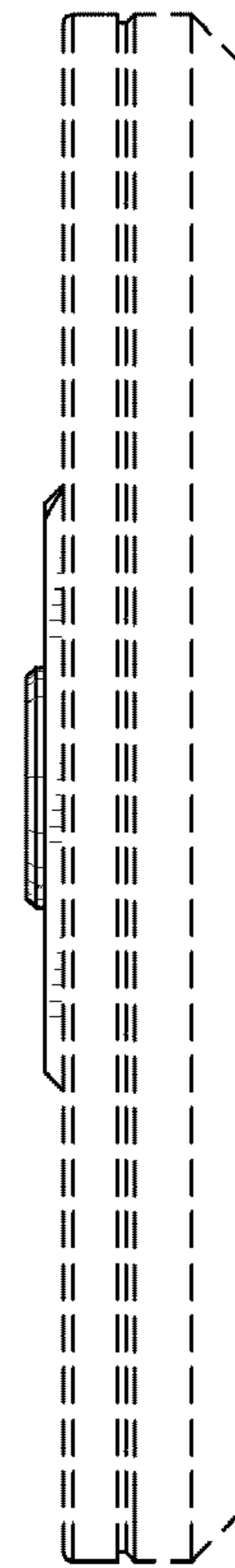


Fig. 4

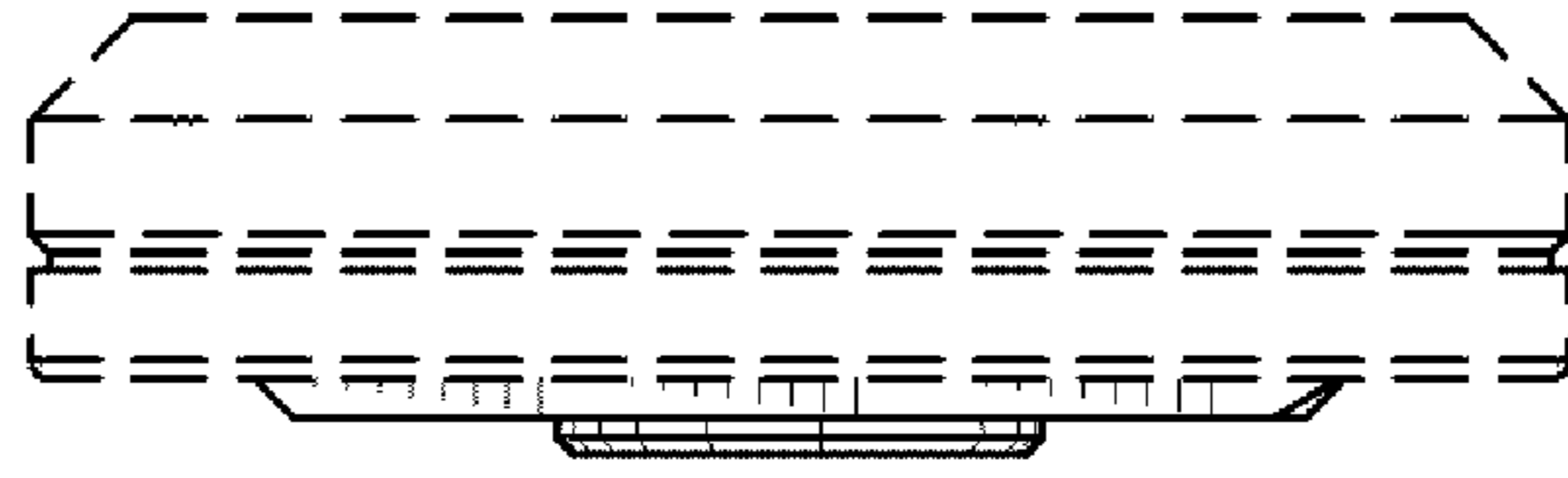


Fig. 5

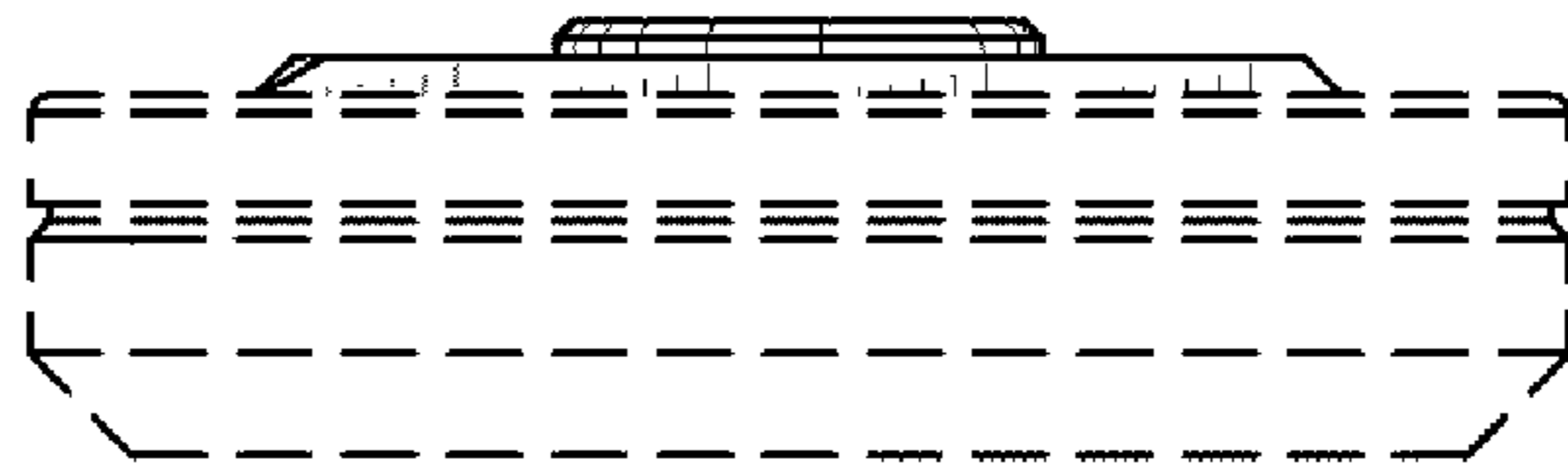


Fig. 6

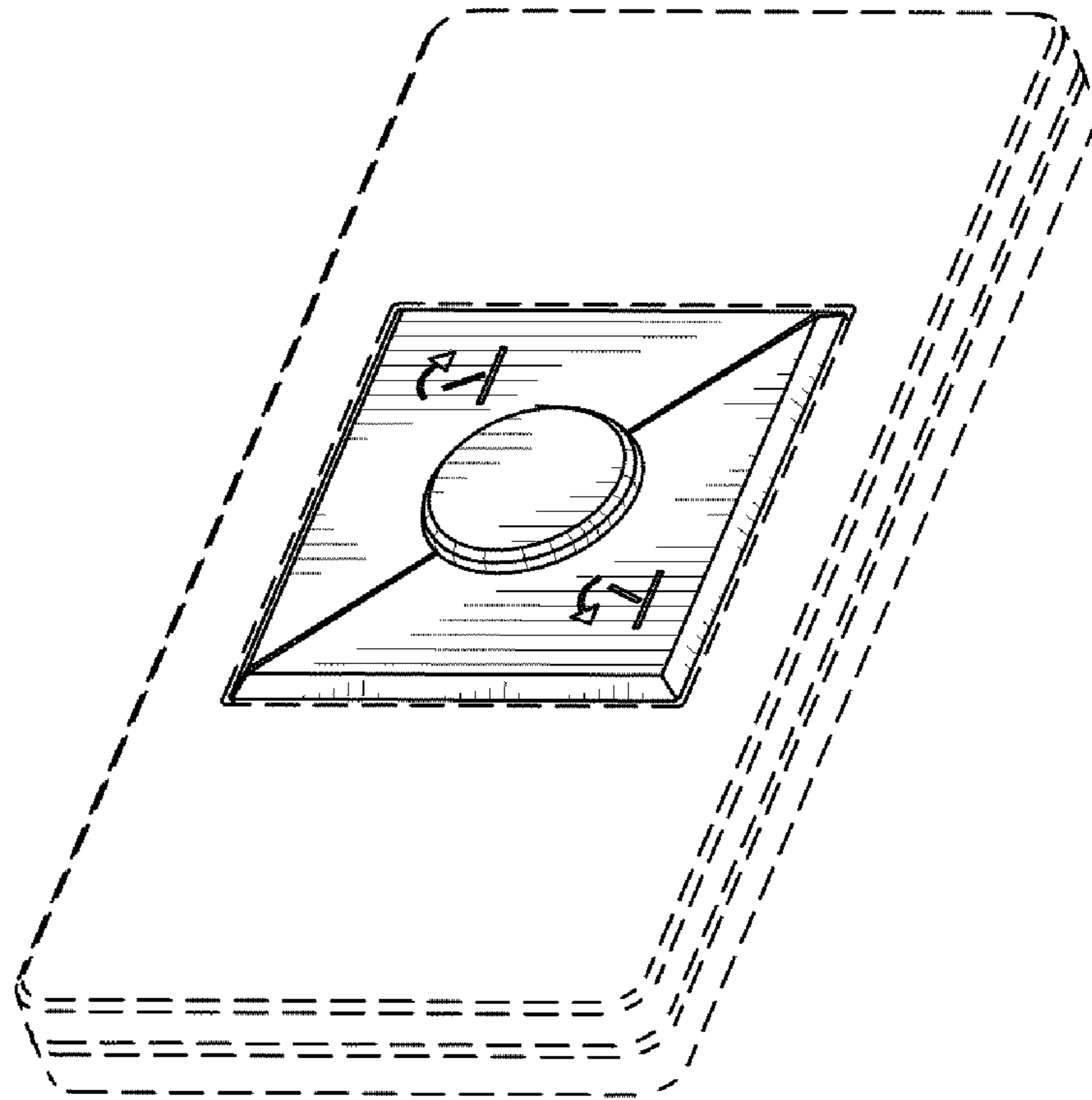


Fig. 7

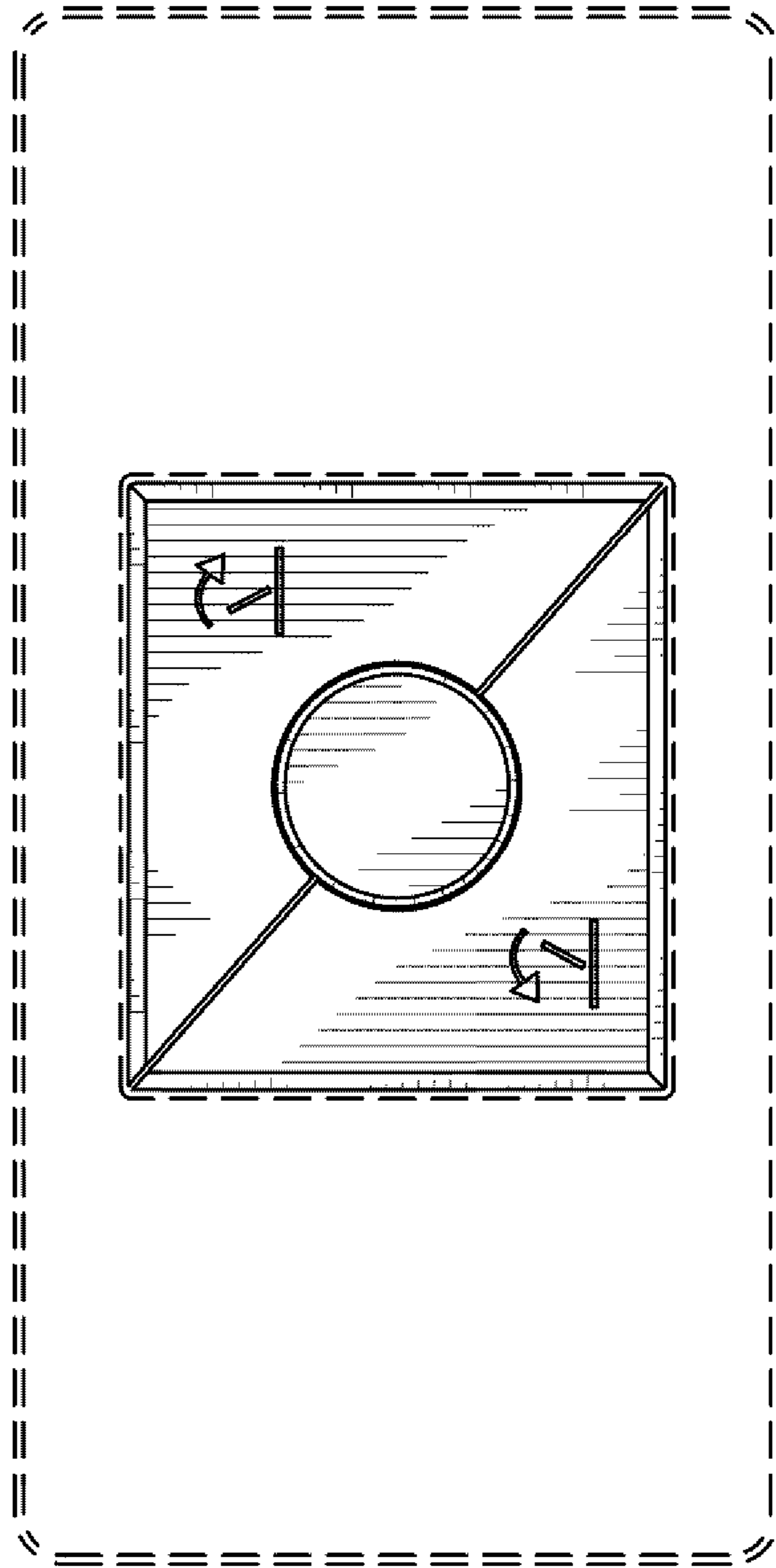


Fig. 8