



US00D649121S

(12) **United States Design Patent**
Urban

(10) **Patent No.:** **US D649,121 S**

(45) **Date of Patent:** **** Nov. 22, 2011**

(54) **OUTPUT CONNECTOR**

(75) **Inventor:** **Peter A. Urban**, Endwell, NY (US)

(73) **Assignee:** **McIntosh Laboratory Inc.**,
Binghamton, NY (US)

(**) **Term:** **14 Years**

(21) **Appl. No.:** **29/359,954**

(22) **Filed:** **Apr. 16, 2010**

(51) **LOC (9) Cl.** **13-03**

(52) **U.S. Cl.** **D13/151**

(58) **Field of Classification Search** D13/133,
D13/146, 147, 148, 149, 151, 152, 154, 156,
D13/177, 184, 199; 439/578, 625, 675, 668-669,
439/732, 844, 851-852, 865-867, 872, 877,
439/884; 174/50; 175/75 C; 385/53, 55,
385/92, 60, 87, 78

See application file for complete search history.

(56) **References Cited**

U.S. PATENT DOCUMENTS

D301,459 S * 6/1989 Chambers D13/151
D566,653 S * 4/2008 Sakamoto D13/133

D567,180 S * 4/2008 Sakamoto D13/133
D626,068 S * 10/2010 Giefers et al. D13/133
D626,506 S * 11/2010 Giefers et al. D13/133
D638,797 S * 5/2011 Ohmori D13/133
D639,242 S * 6/2011 Ohmori D13/133

* cited by examiner

Primary Examiner — Thomas Johannes

(74) *Attorney, Agent, or Firm* — Peter A. Nieves; Sheehan,
Phinney, Bass + Green, PC

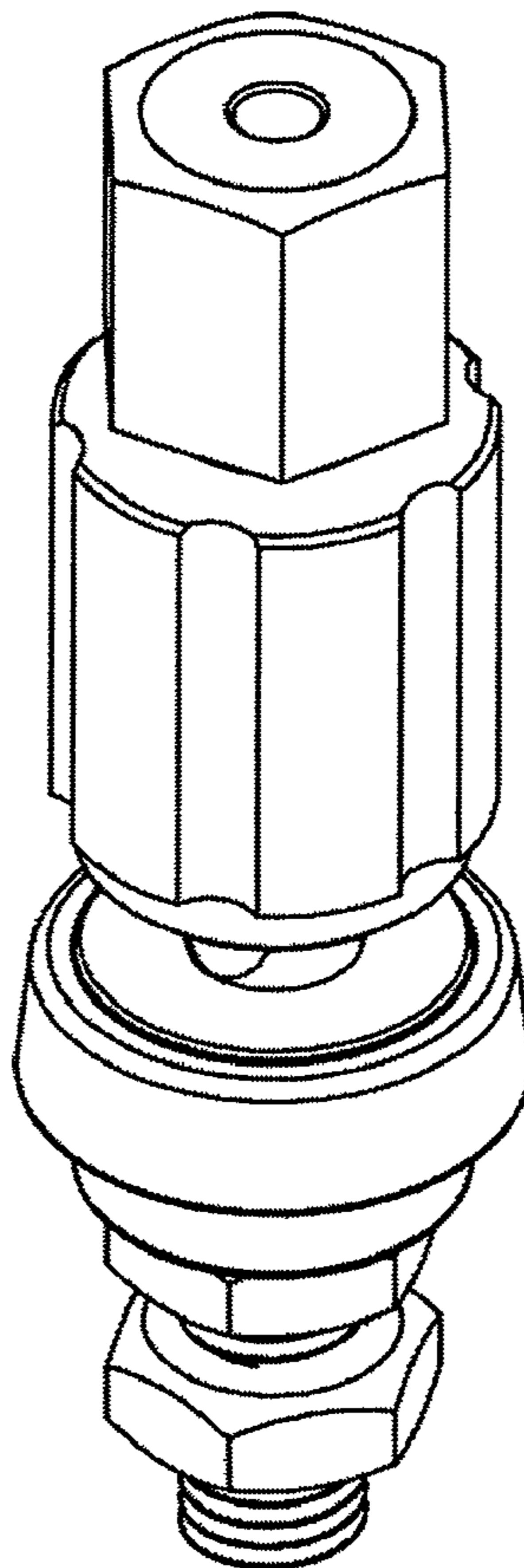
(57) **CLAIM**

I claim the ornamental design for a output connector, as
shown and described.

DESCRIPTION

FIG. 1 is a perspective view of the output connector of the
present invention;
FIG. 2 is a front elevation view thereof;
FIG. 3 is a back elevation view thereof;
FIG. 4 is a right side elevation view thereof;
FIG. 5 is a left side elevation view thereof;
FIG. 6 is a top plan view thereof; and,
FIG. 7 is a bottom plan view thereof.

1 Claim, 7 Drawing Sheets



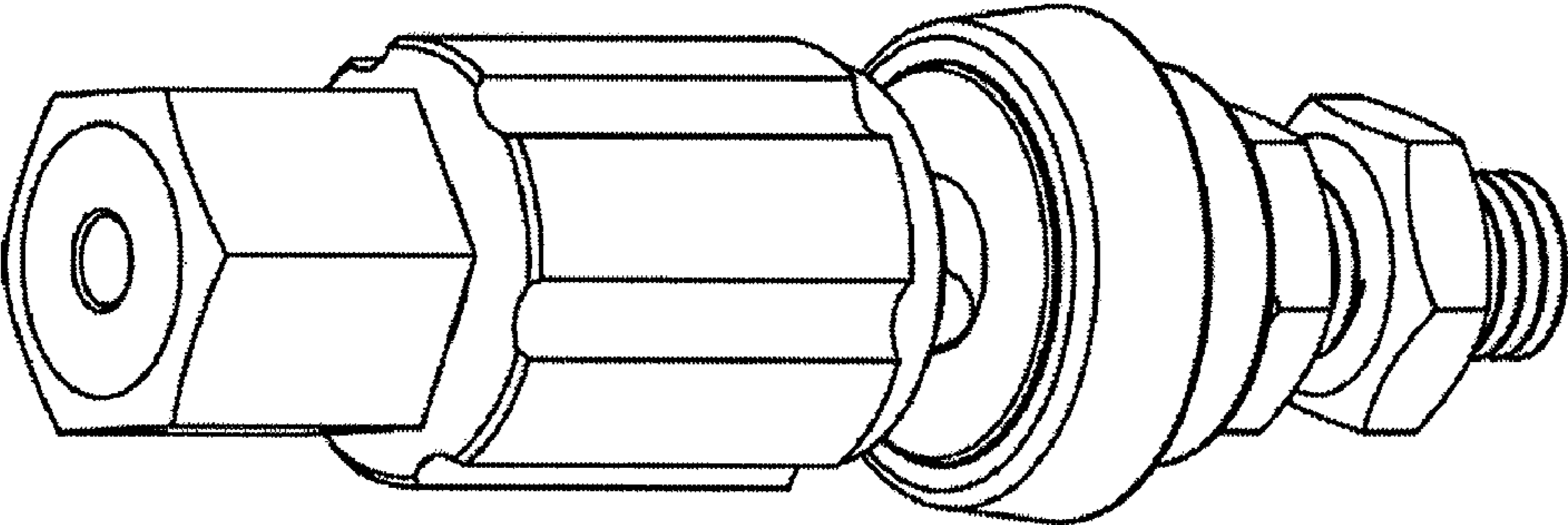


FIG. 1

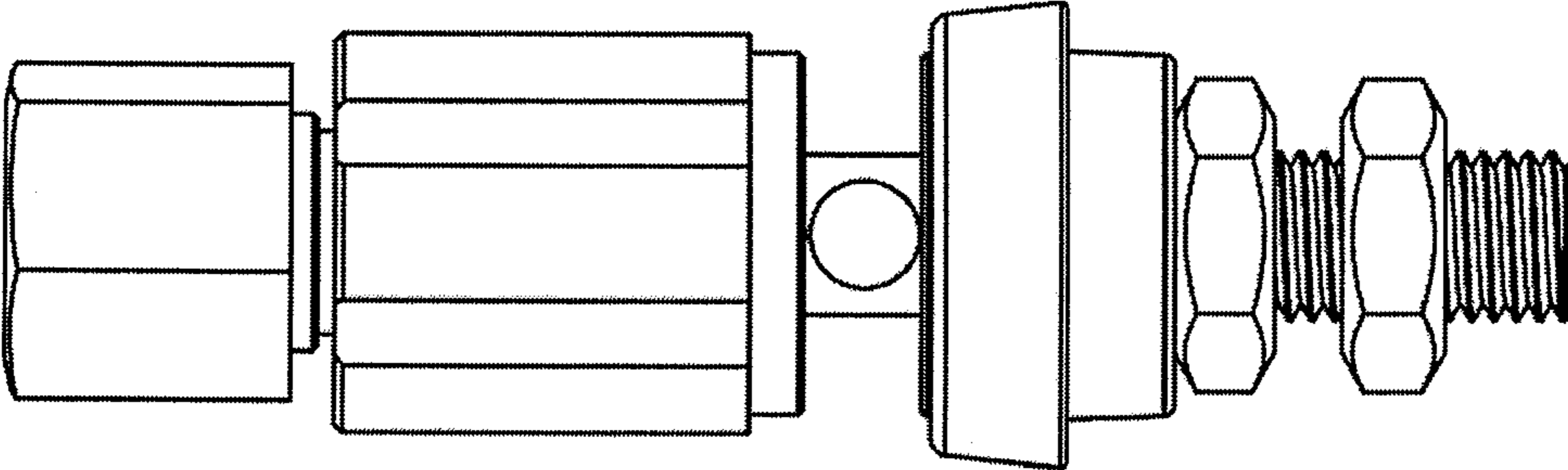


FIG. 2

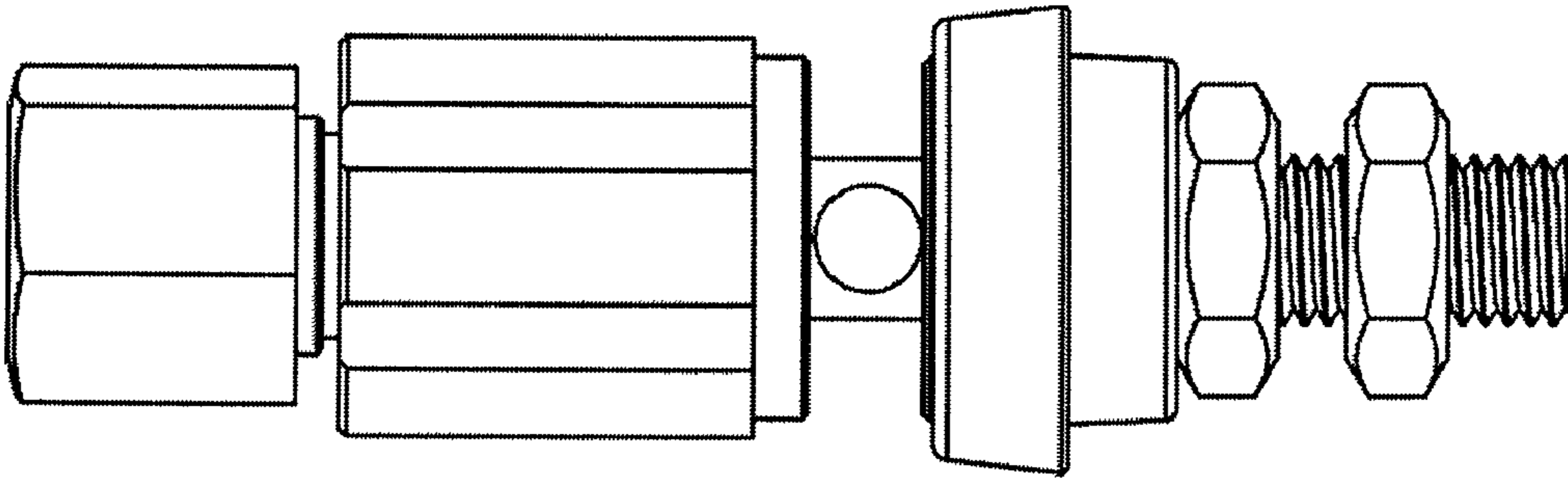


FIG. 3

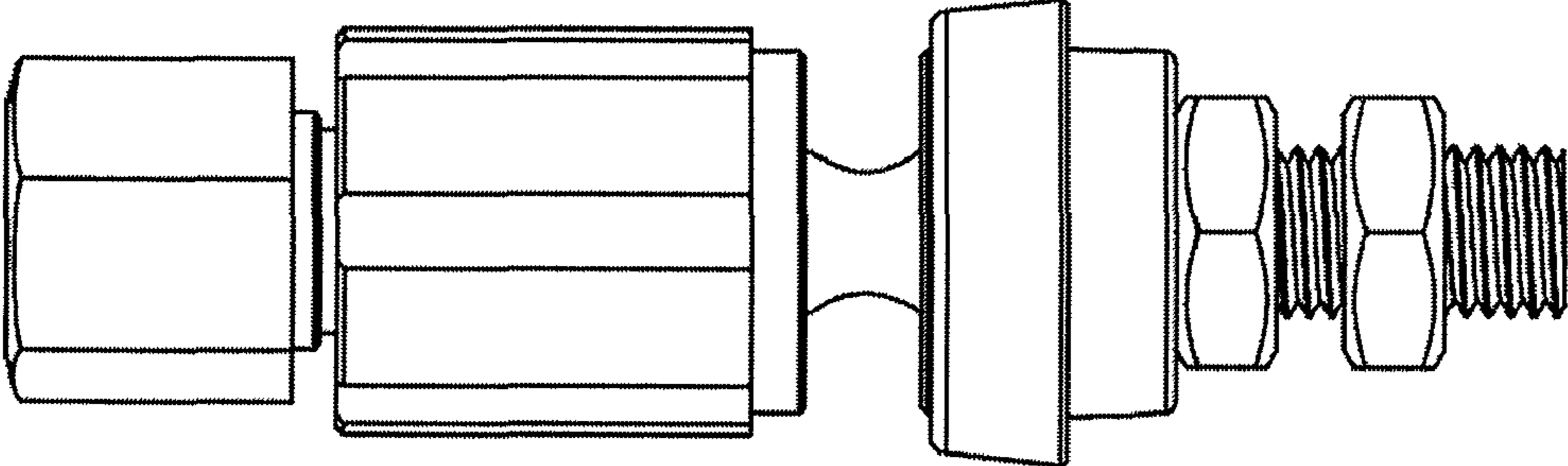


FIG. 4

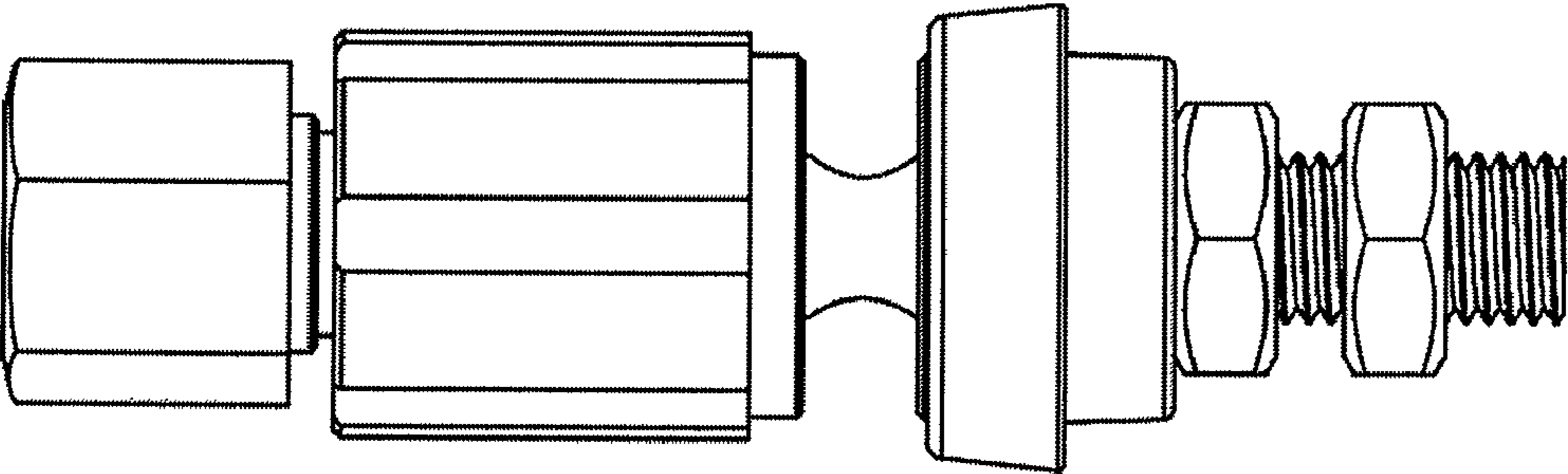


FIG. 5

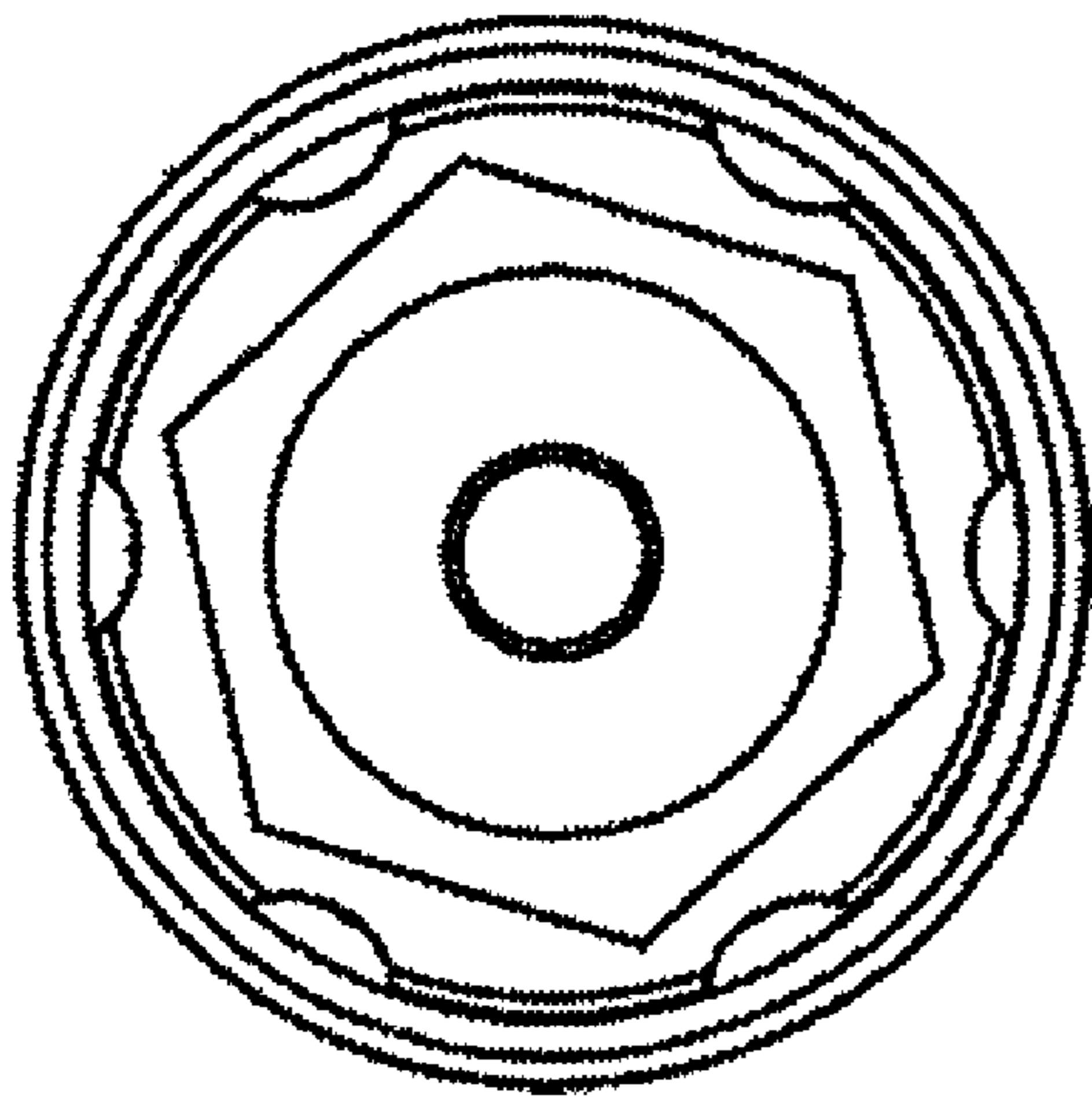


FIG. 6

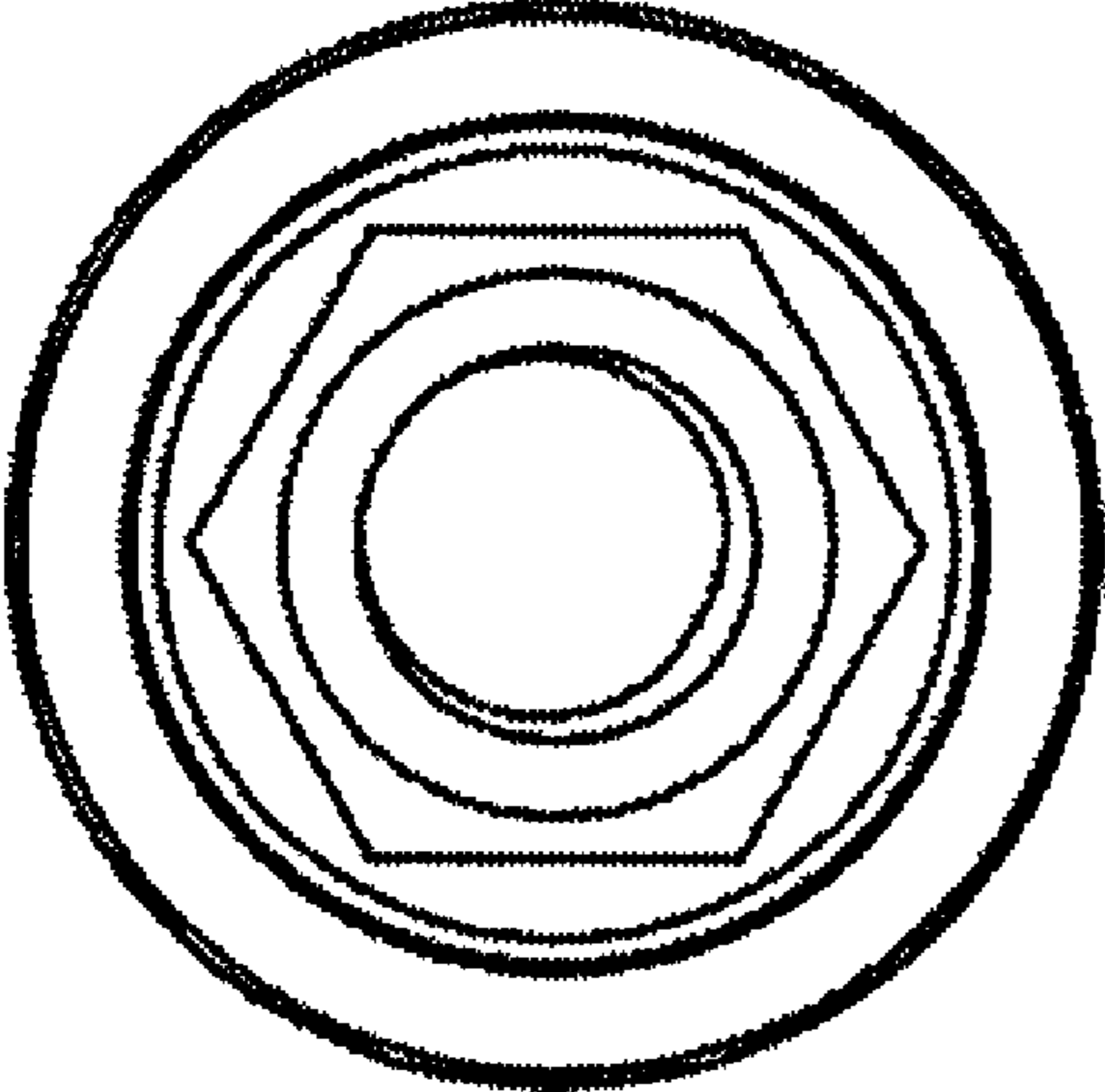


FIG. 7