



US00D649114S

(12) **United States Design Patent**
Brookshire et al.

(10) **Patent No.:** **US D649,114 S**

(45) **Date of Patent:** **** Nov. 22, 2011**

(54) **INTERFACE AND BEZEL FOR UNINTERRUPTIBLE POWER SUPPLY**

(75) Inventors: **Kyle David Brookshire**, Belmont, MA (US); **Meng-Chang Liu**, Puli Township (TW); **James Edward Briggs**, Nashua, NH (US)

(73) Assignee: **American Power Conversion Corporation**, West Kingston, RI (US)

(**) Term: **14 Years**

(21) Appl. No.: **29/393,939**

(22) Filed: **Jun. 10, 2011**

(51) **LOC (9) Cl.** **13-02**

(52) **U.S. Cl.** **D13/110; D13/118**

(58) **Field of Classification Search** D13/110, D13/118, 123, 160, 164, 184, 199; D14/265, D14/355, 441, 442, 443, 444, 445; 174/50, 174/53, 59; 361/600, 601, 622, 676, 678, 361/679.01, 679.02, 683, 688, 692; 363/141, 363/142

See application file for complete search history.

(56) **References Cited**

U.S. PATENT DOCUMENTS

D314,183 S * 1/1991 Wong D13/160
D381,637 S * 7/1997 Haider et al. D13/184

5,793,627 A * 8/1998 Caldes et al. 363/146
D403,662 S * 1/1999 Caldes et al. D13/110
D419,148 S * 1/2000 Foslien et al. D14/441
D447,485 S * 9/2001 Carbonneau et al. D14/445
D475,681 S * 6/2003 Ho D13/118
D514,076 S * 1/2006 Albano et al. D13/184
D615,037 S * 5/2010 Liu et al. D13/110

* cited by examiner

Primary Examiner — Derrick Holland

(74) *Attorney, Agent, or Firm* — Lando & Anastasi, LLP

(57) **CLAIM**

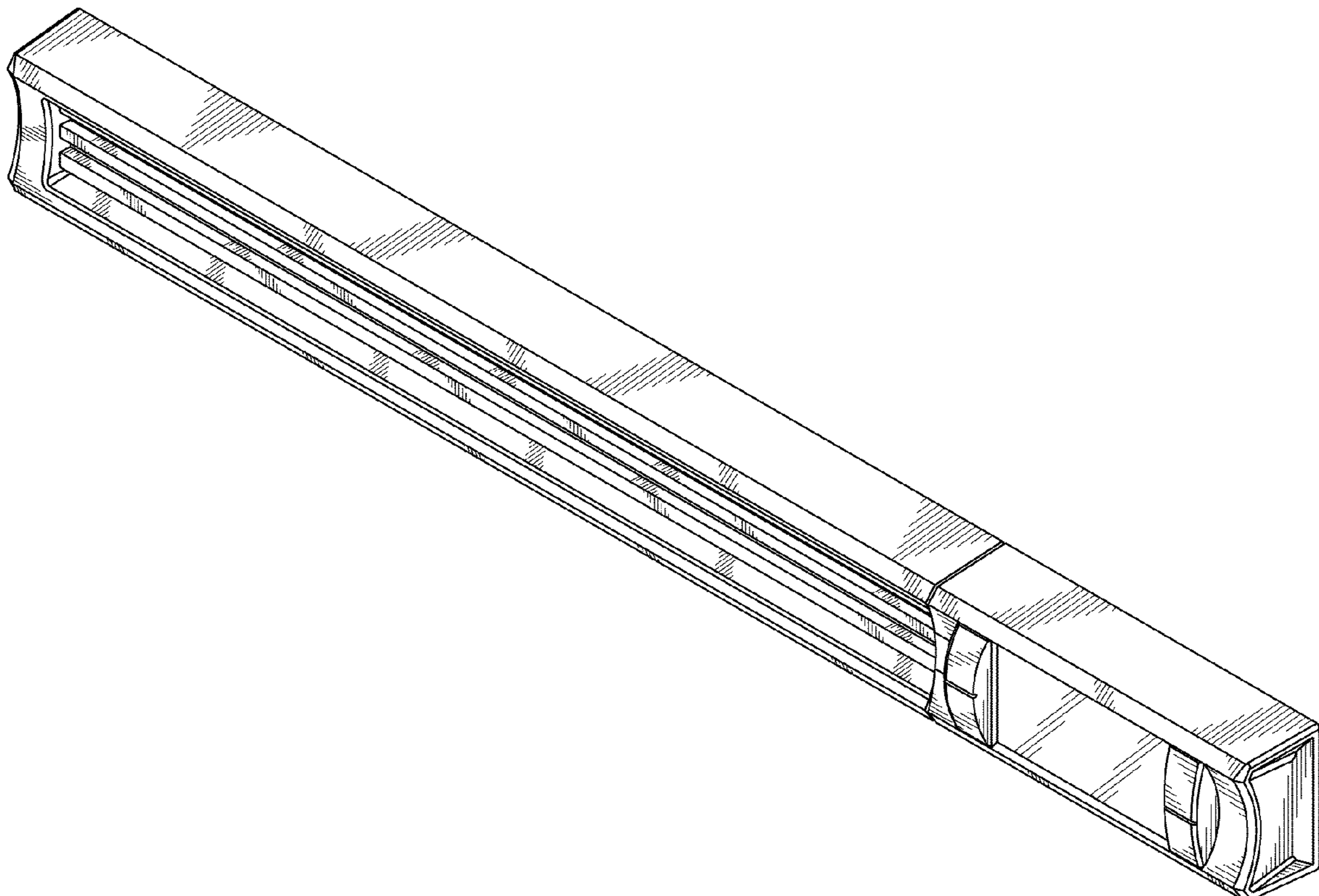
The ornamental design for an interface and bezel for uninterruptible power supply, as shown and described.

DESCRIPTION

FIG. 1 is a perspective view of an interface and bezel for uninterruptible power supply design; FIG. 2 is a front elevational view thereof; FIG. 3 is a rear elevational view thereof; FIG. 4 is a left side view thereof; FIG. 5 is a right side view thereof; FIG. 6 is a top plan view thereof; FIG. 7 is a bottom plan view thereof; and, FIG. 8 is a perspective view thereof, shown in environmental use.

The broken lines shown represent unclaimed subject matter and form no part of the claimed design.

1 Claim, 4 Drawing Sheets



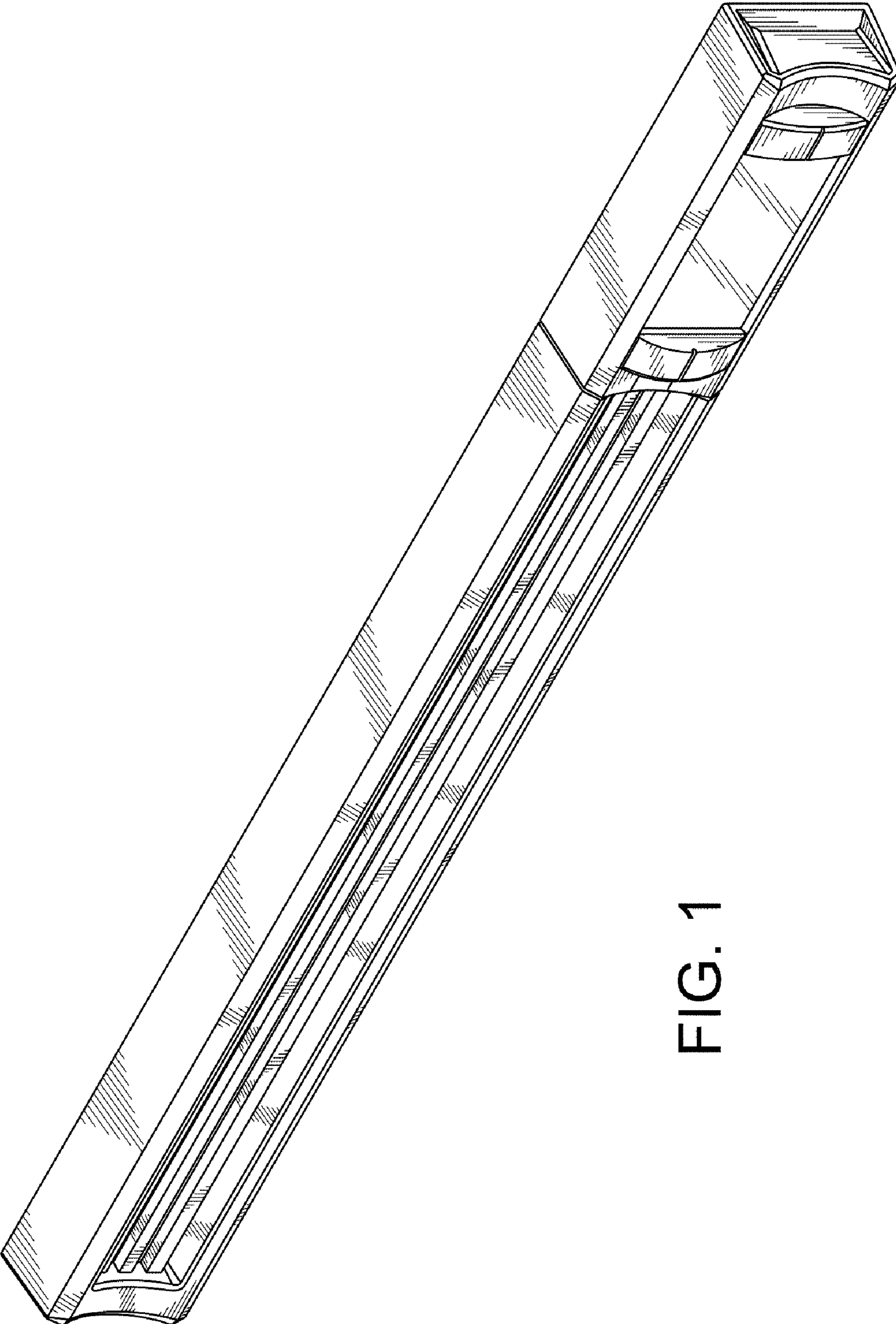


FIG. 1

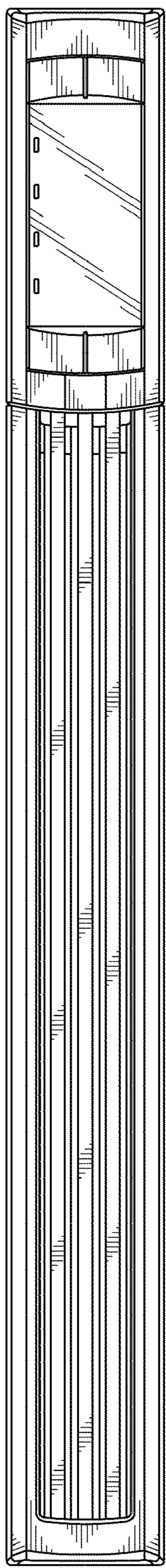


FIG. 2

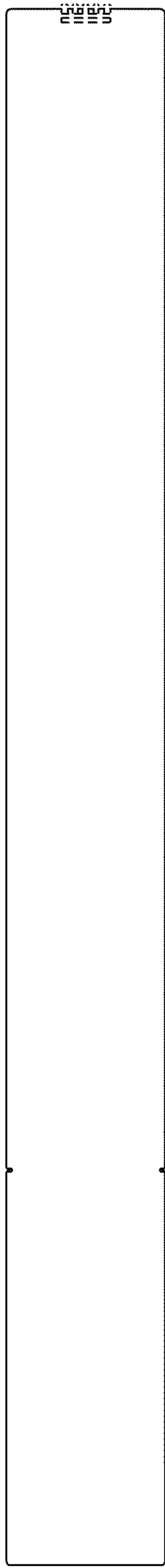


FIG. 3

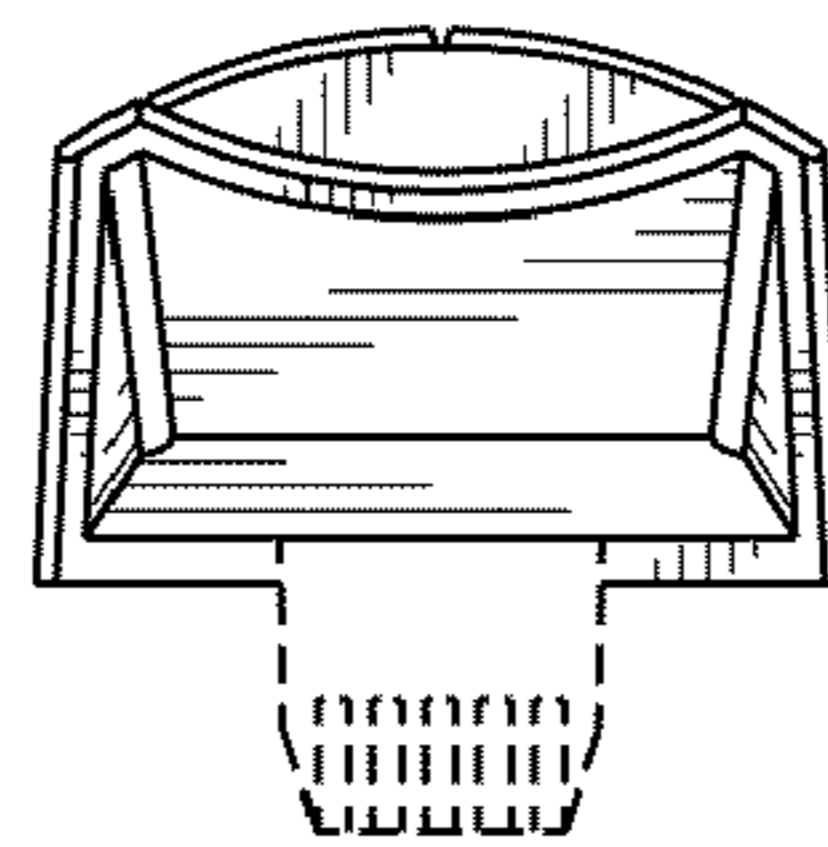


FIG. 4

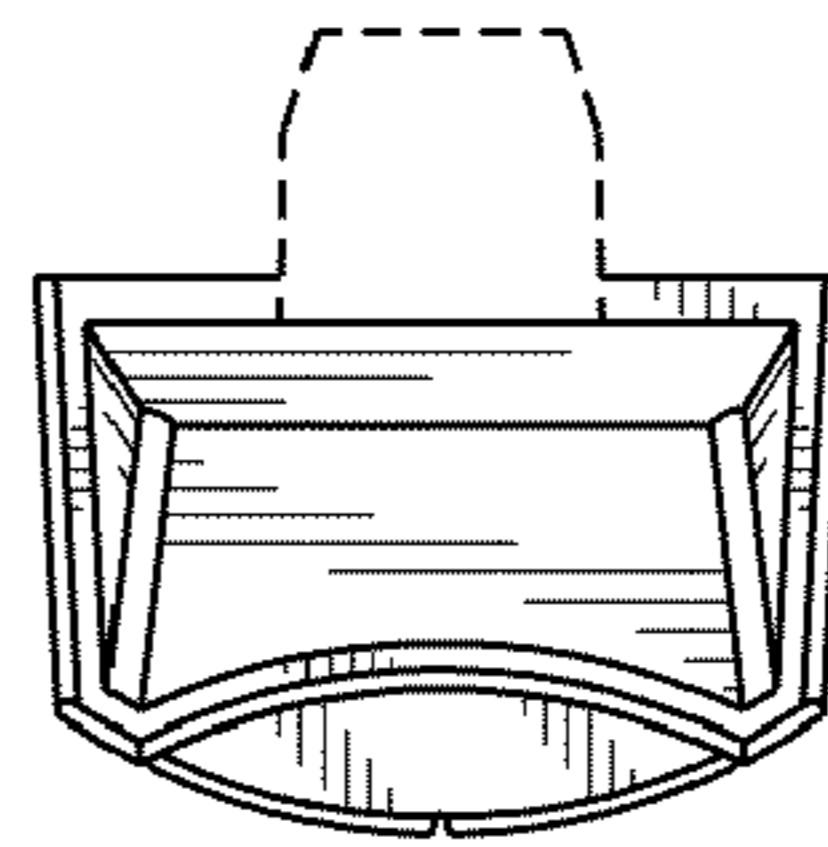


FIG. 5

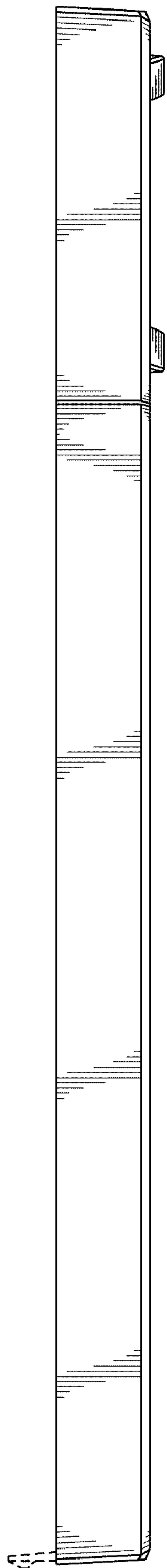


FIG. 6

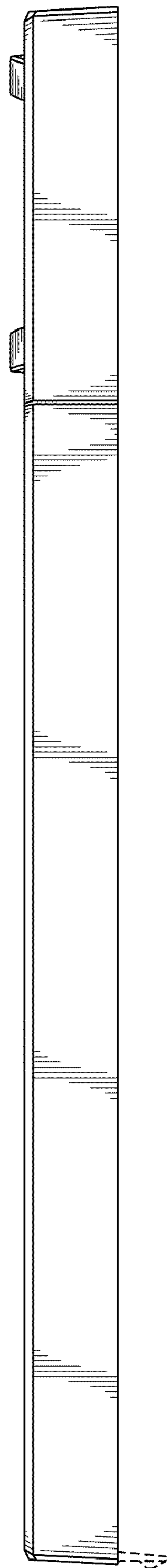


FIG. 7

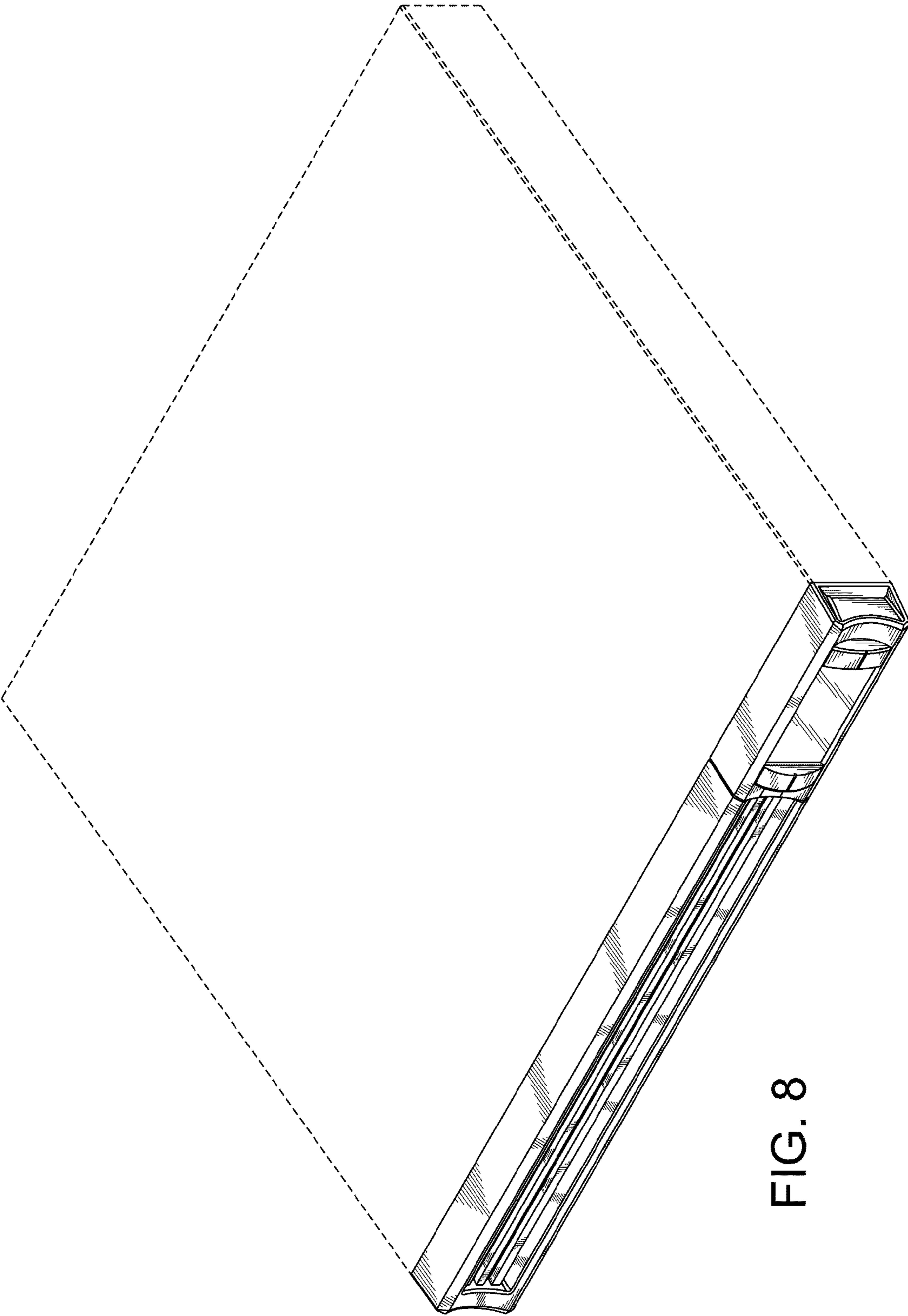


FIG. 8