



US00D649113S

(12) **United States Design Patent**  
**Ploss**

(10) **Patent No.:** **US D649,113 S**

(45) **Date of Patent:** **\*\* Nov. 22, 2011**

(54) **BATTERY CHARGER FOR A COMBUSTION TOOL**

(75) Inventor: **Peter D. Ploss**, Grayslake, IL (US)

(73) Assignee: **Illinois Tool Works Inc.**, Glenview, IL (US)

(\*\*) Term: **14 Years**

(21) Appl. No.: **29/387,948**

(22) Filed: **Mar. 22, 2011**

(51) **LOC (9) Cl.** ..... **13-02**

(52) **U.S. Cl.** ..... **D13/108**

(58) **Field of Classification Search** ..... D13/107-110,  
D13/118-119, 184, 199; D14/251, 253,  
D14/432, 434; 320/107-115

See application file for complete search history.

(56) **References Cited**

**U.S. PATENT DOCUMENTS**

5,230,016	A	*	7/1993	Yasuda	.....	455/573
D350,528	S	*	9/1994	Bent et al.	.....	D13/108
5,982,140	A	*	11/1999	Toya et al.	.....	320/110
D430,537	S	*	9/2000	Etter et al.	.....	D13/107
D444,449	S	*	7/2001	Yamamoto	.....	D13/107
D524,315	S	*	7/2006	Reusing et al.	.....	D14/434
D548,179	S	*	8/2007	Vu	.....	D13/108
D555,589	S	*	11/2007	Hussaini et al.	.....	D13/108
D581,355	S	*	11/2008	Grant	.....	D13/107
D584,732	S	*	1/2009	Cho et al.	.....	D14/434
D594,407	S	*	6/2009	Chon et al.	.....	D13/108

\* cited by examiner

*Primary Examiner* — Rosemary K Tarcza

(74) *Attorney, Agent, or Firm* — Greer, Burns & Crain, Ltd.;  
Patty Chidiac; Mark W. Croll

(57) **CLAIM**

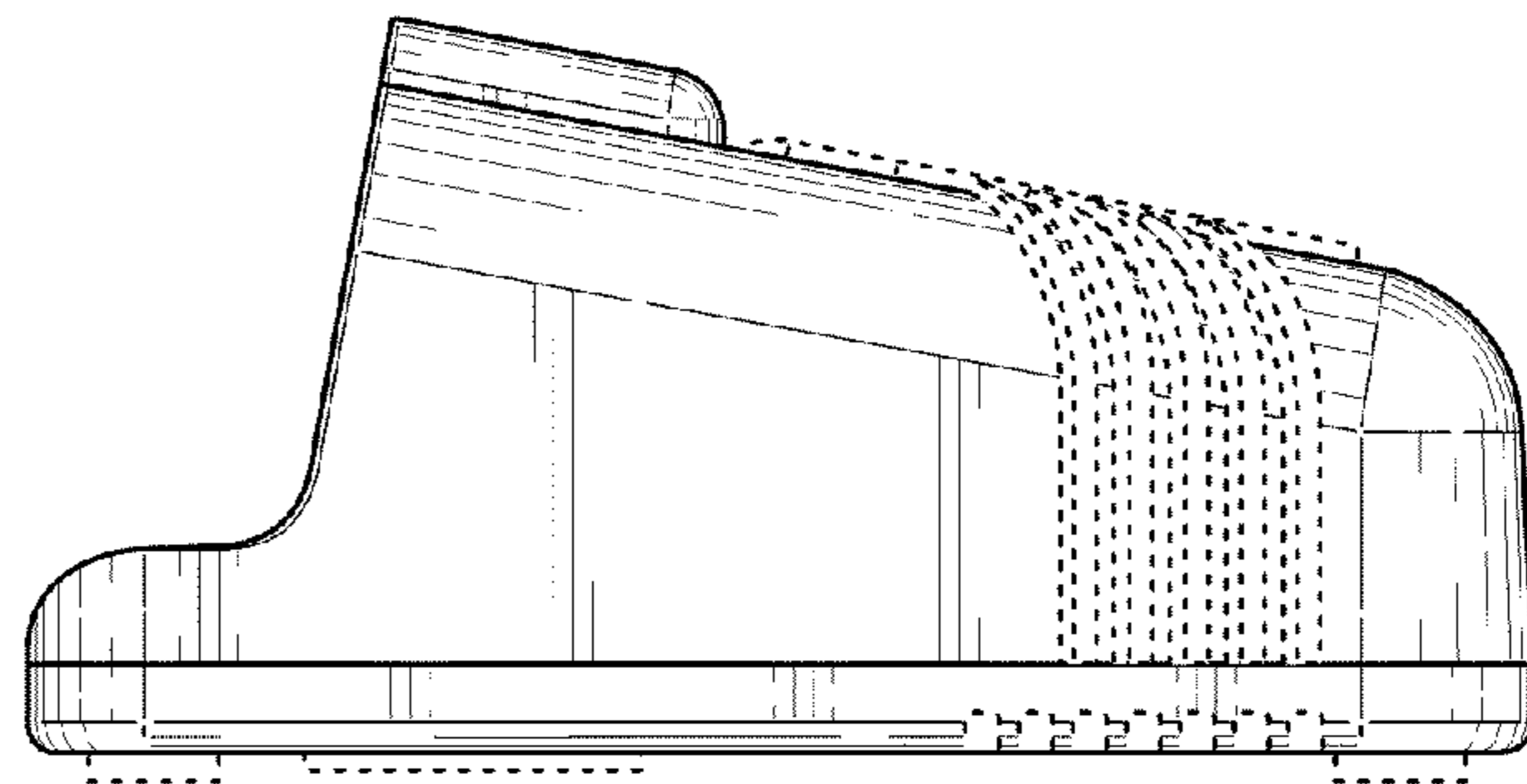
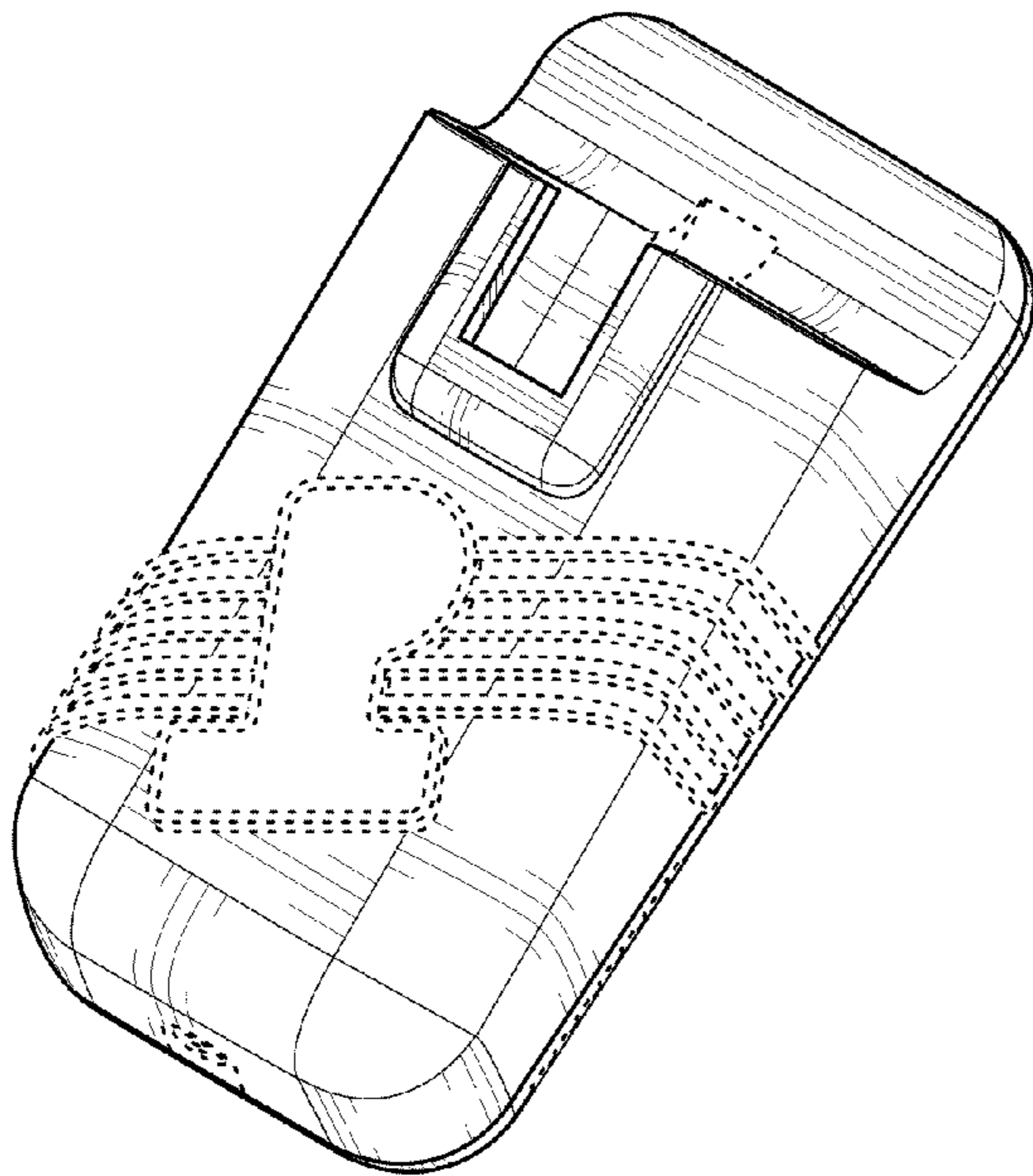
The ornamental design for a battery charger for a combustion tool, as shown and described.

**DESCRIPTION**

FIG. 1 is a top perspective view of the present battery charger;  
 FIG. 2 is a bottom perspective view of the charger of FIG. 1;  
 FIG. 3 is a left side view of same;  
 FIG. 4 is a right side view of the charger of FIG. 1;  
 FIG. 5 is a rear view of same;  
 FIG. 6 is a front view of the charger of FIG. 1;  
 FIG. 7 is a top view of same;  
 FIG. 8 is a bottom view of the charger of FIG. 1;  
 FIG. 9 is a top perspective view of another embodiment of the present battery charger;  
 FIG. 10 is a bottom perspective view of the charger of FIG. 9;  
 FIG. 11 is a left side view of same;  
 FIG. 12 is a right side view of the charger of FIG. 9;  
 FIG. 13 is a rear view of same;  
 FIG. 14 is a front view of the charger of FIG. 9;  
 FIG. 15 is a top view of same; and,  
 FIG. 16 is a bottom view of the charger of FIG. 9.

The broken lines shown in the drawings are included for the purpose of unclaimed portions of the battery charger for a combustion tool, and form no part of the claimed design.

**1 Claim, 8 Drawing Sheets**



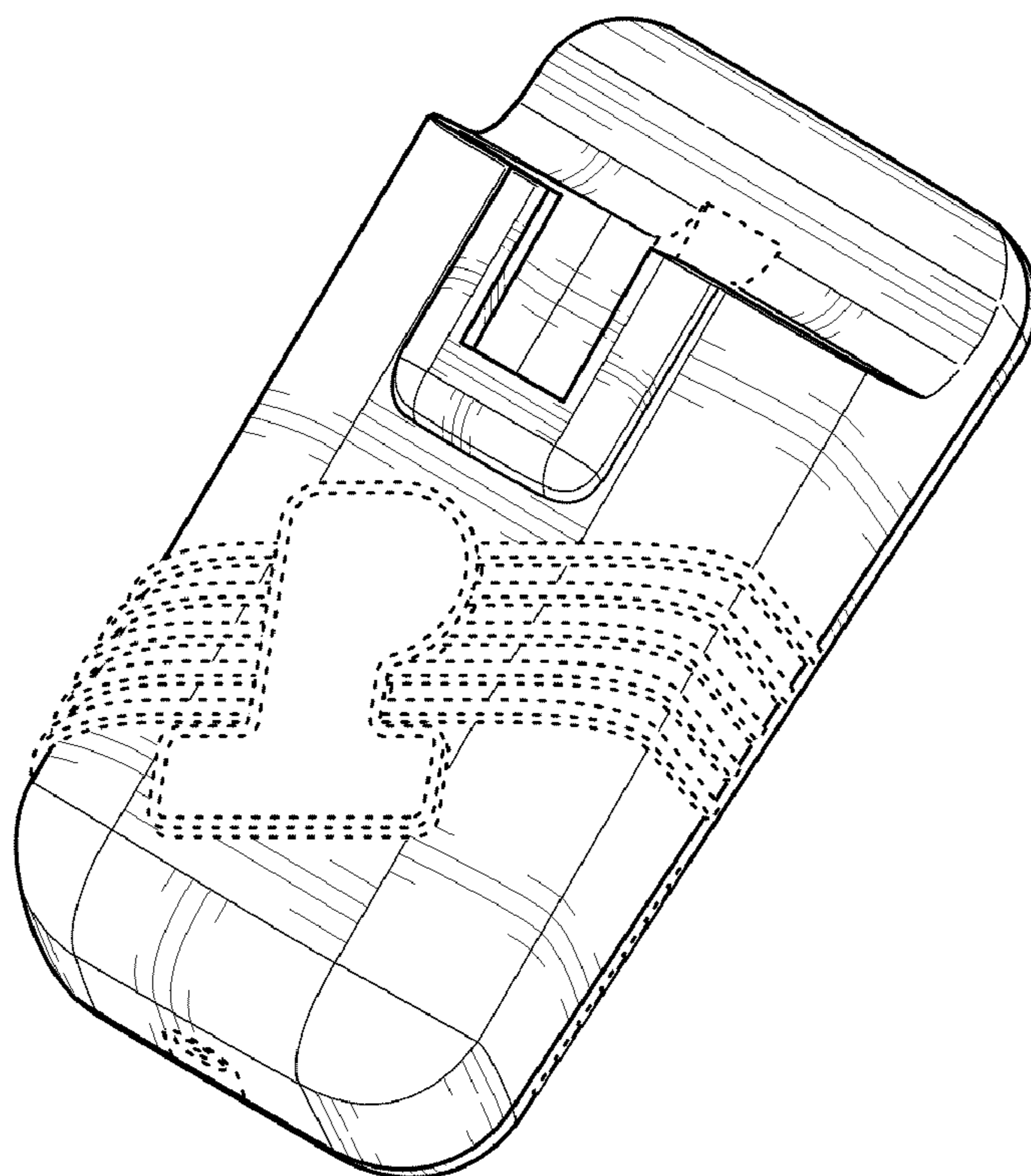


FIG. 1

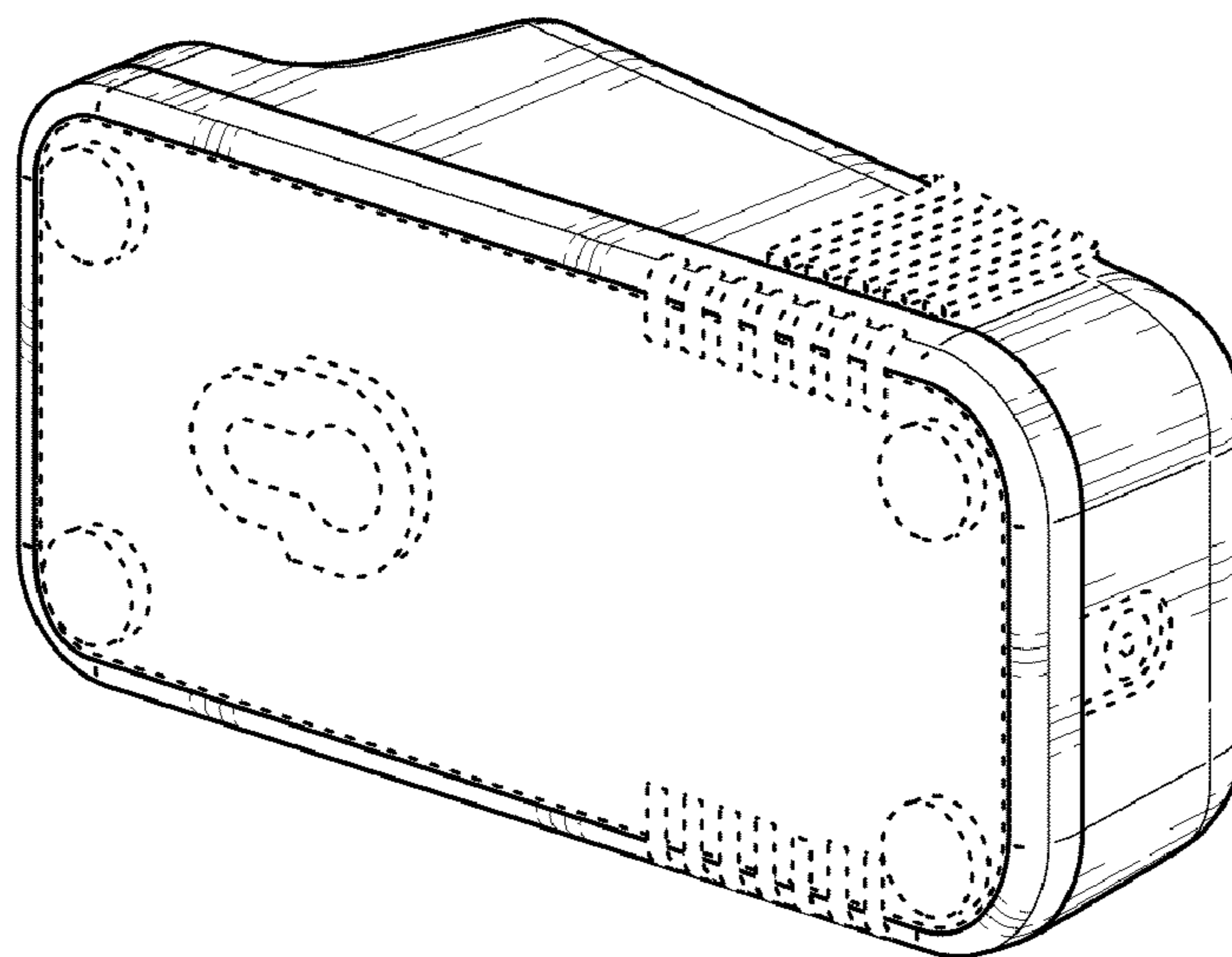


FIG. 2

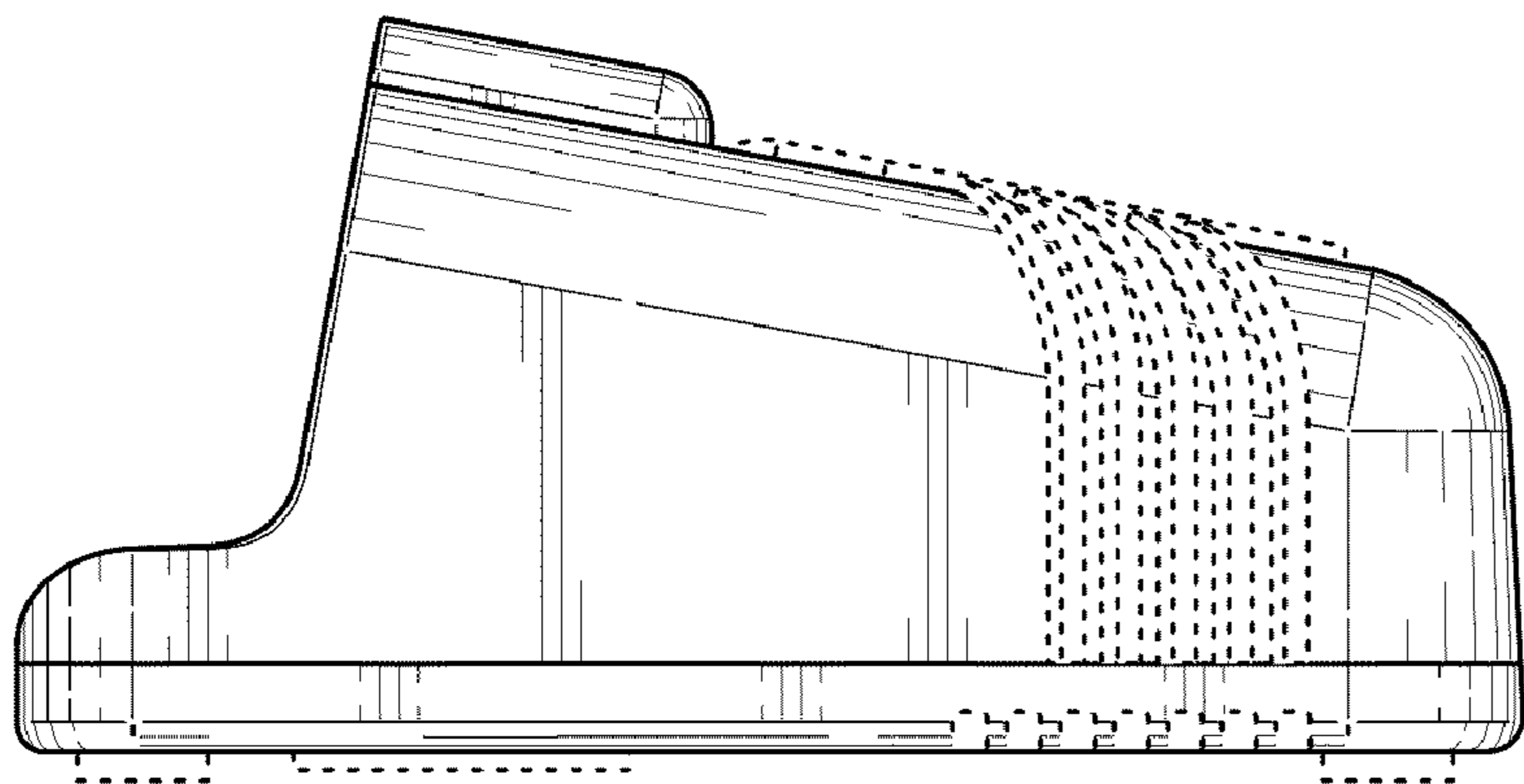


FIG. 3

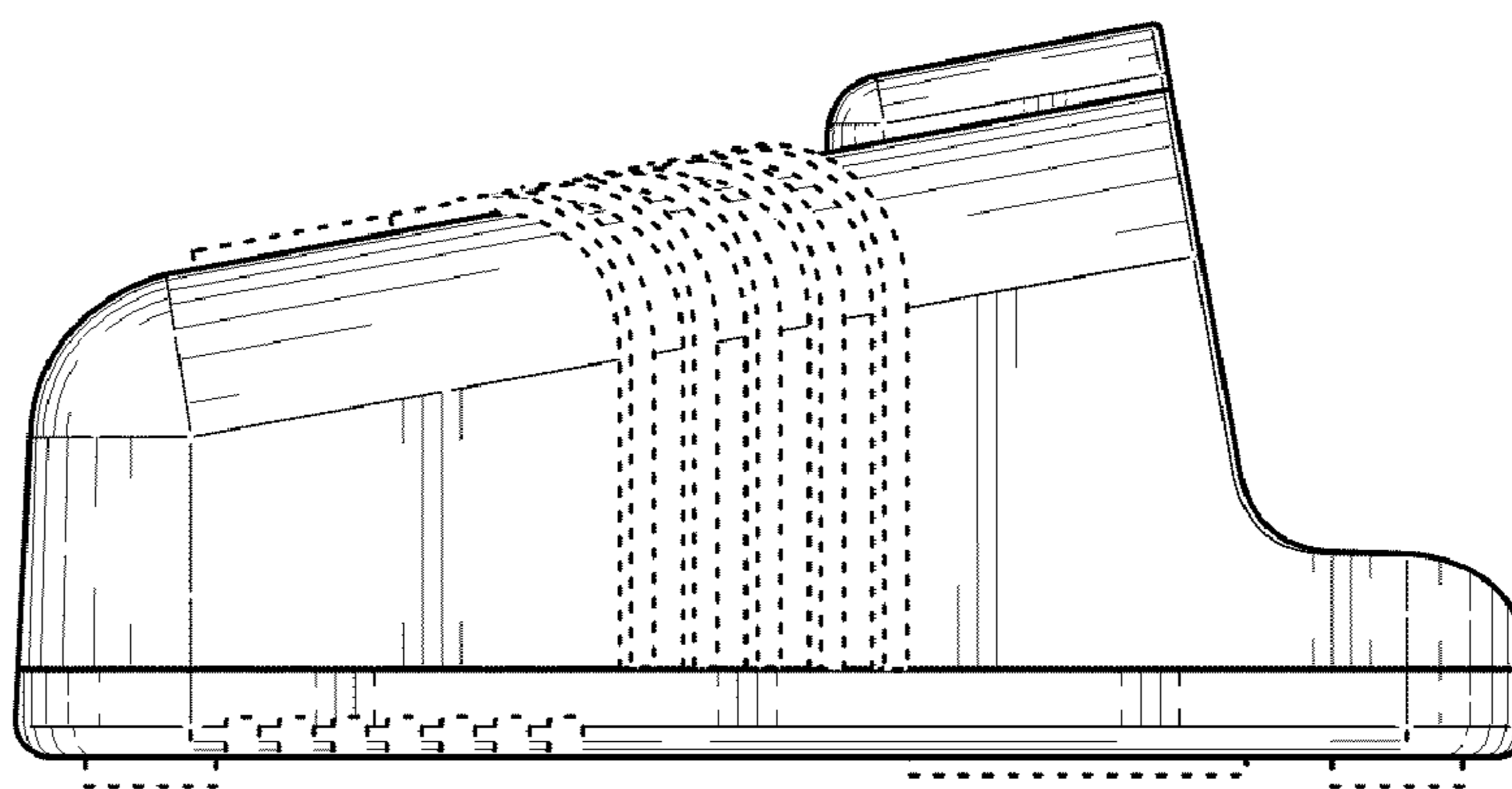


FIG. 4

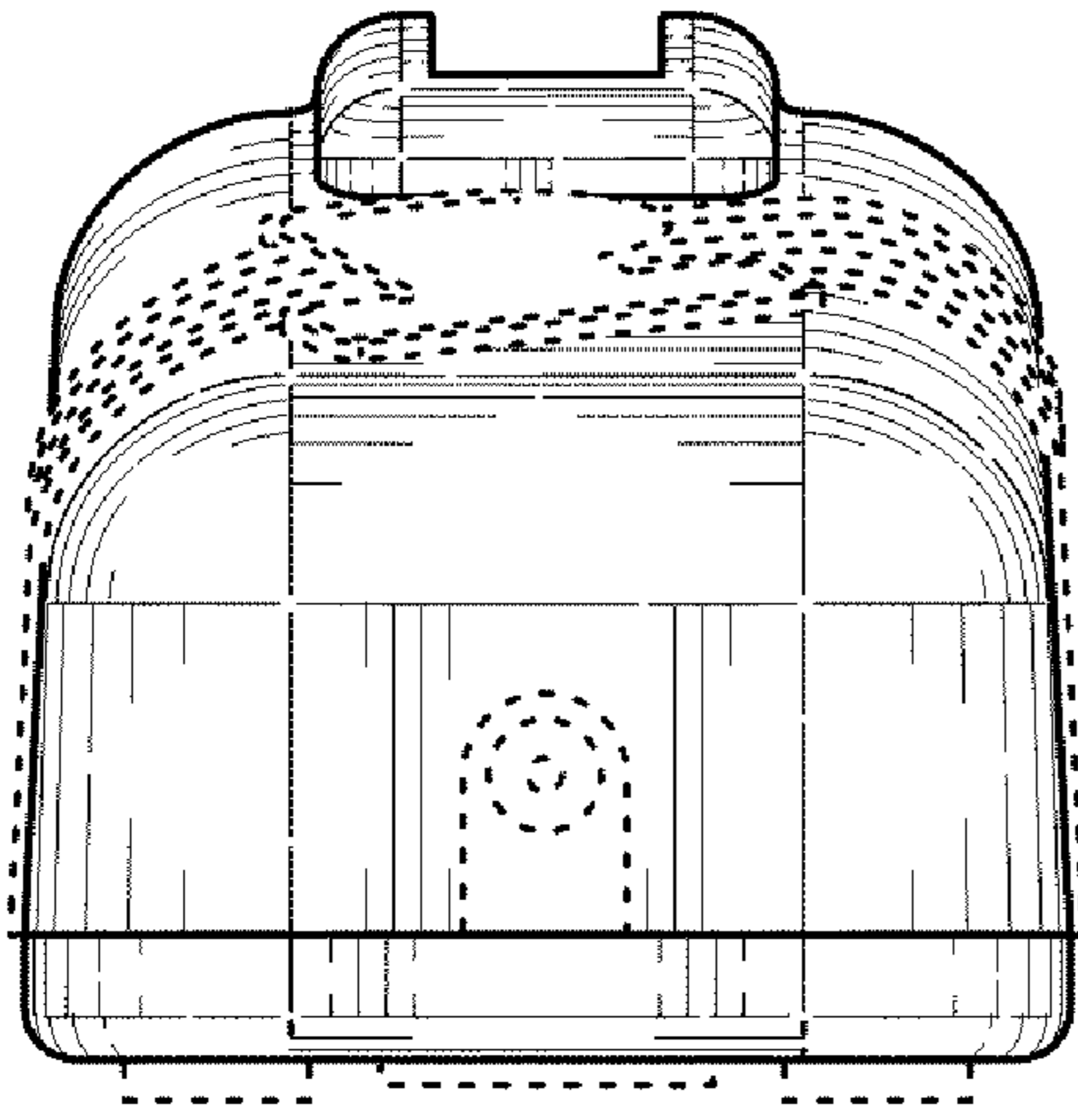


FIG. 5

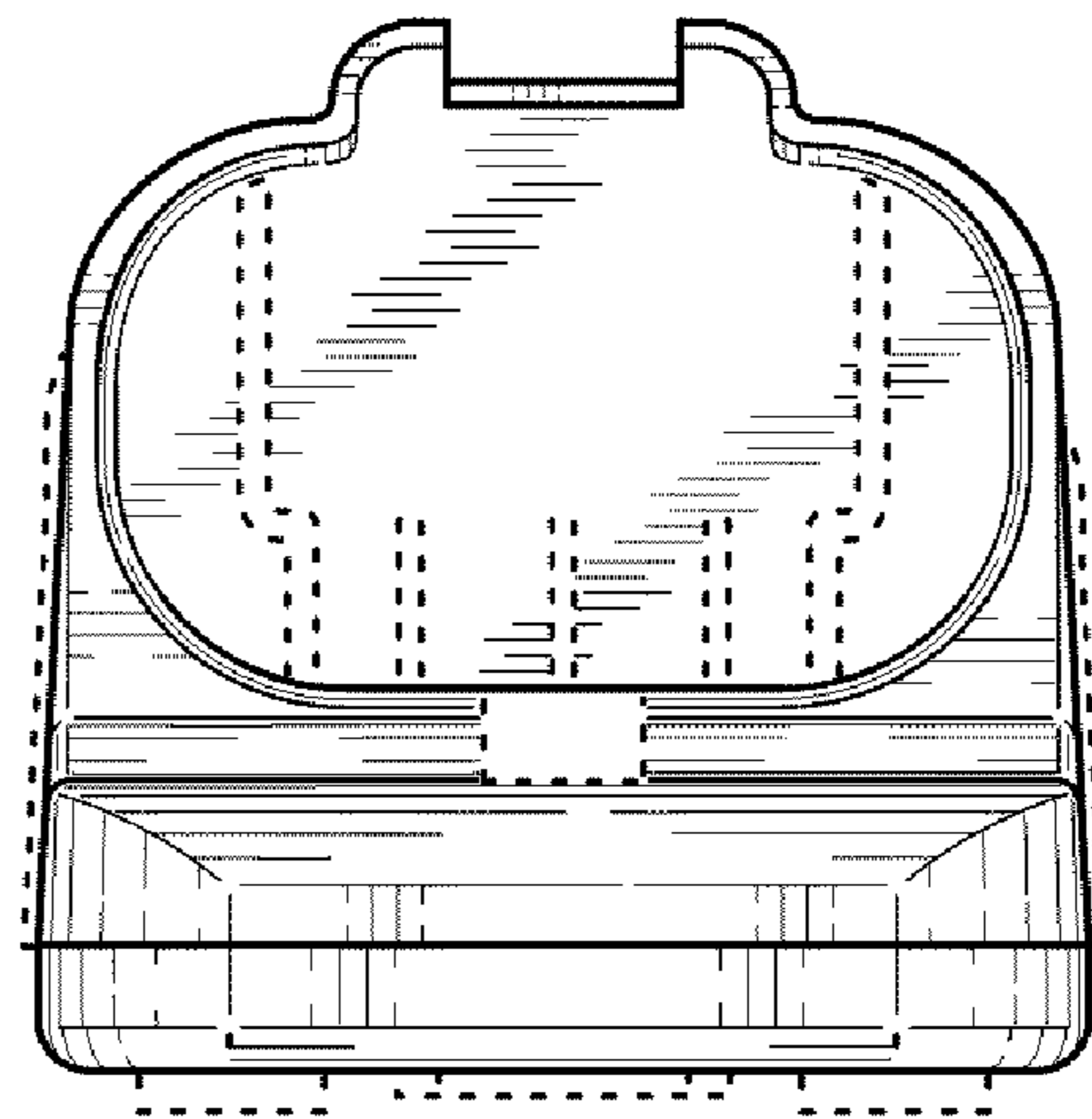


FIG. 6

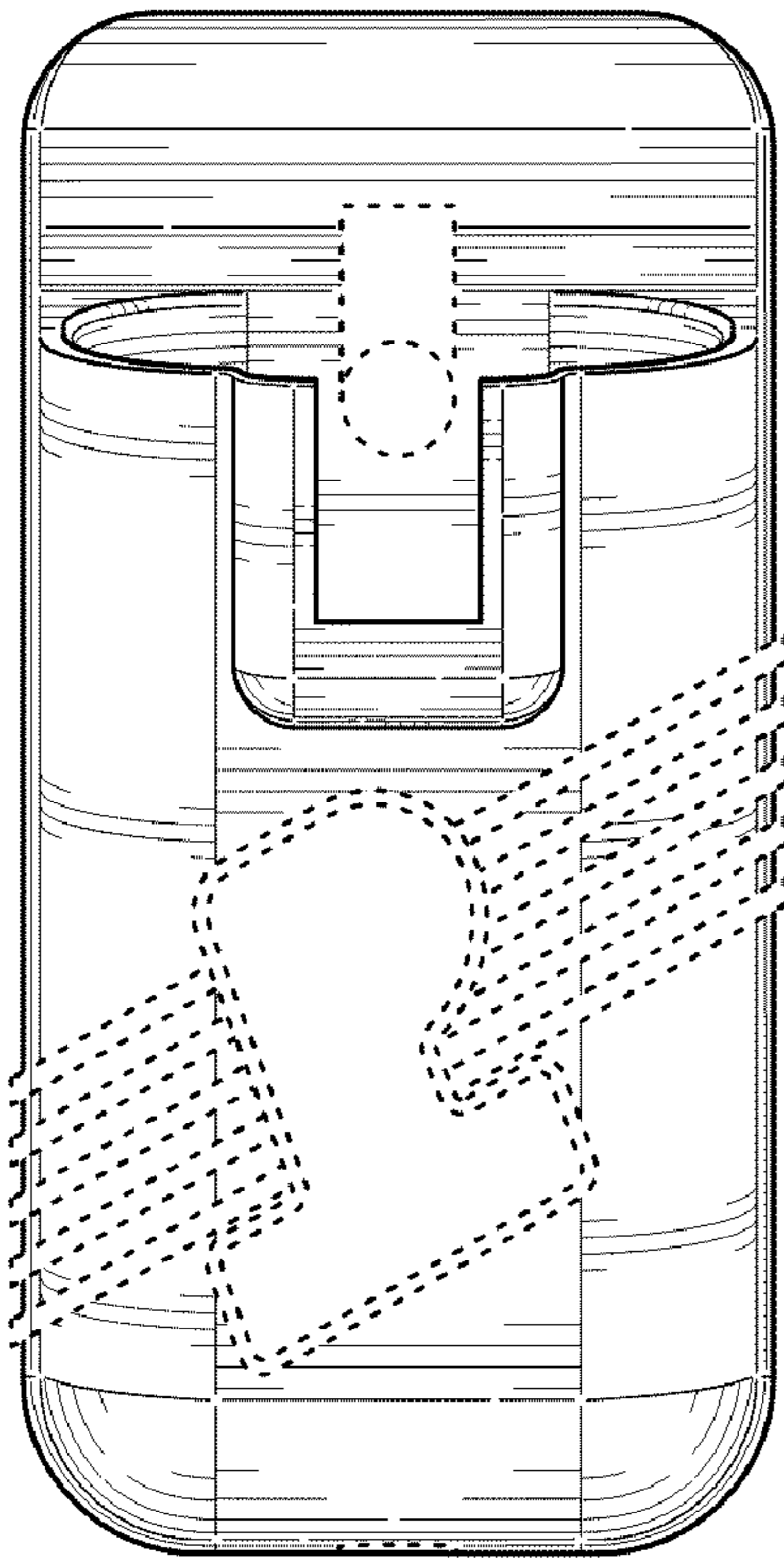


FIG. 7

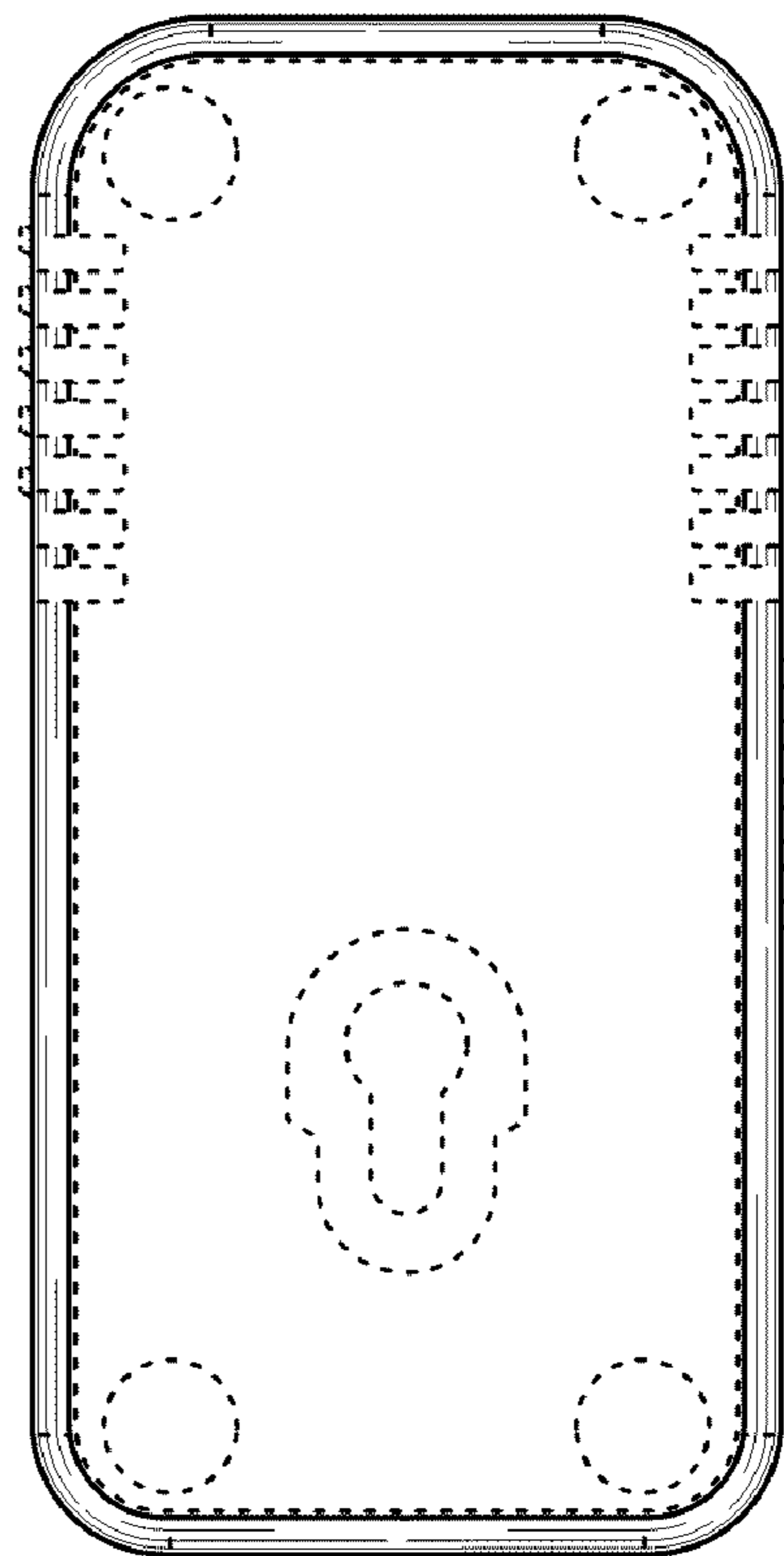


FIG. 8

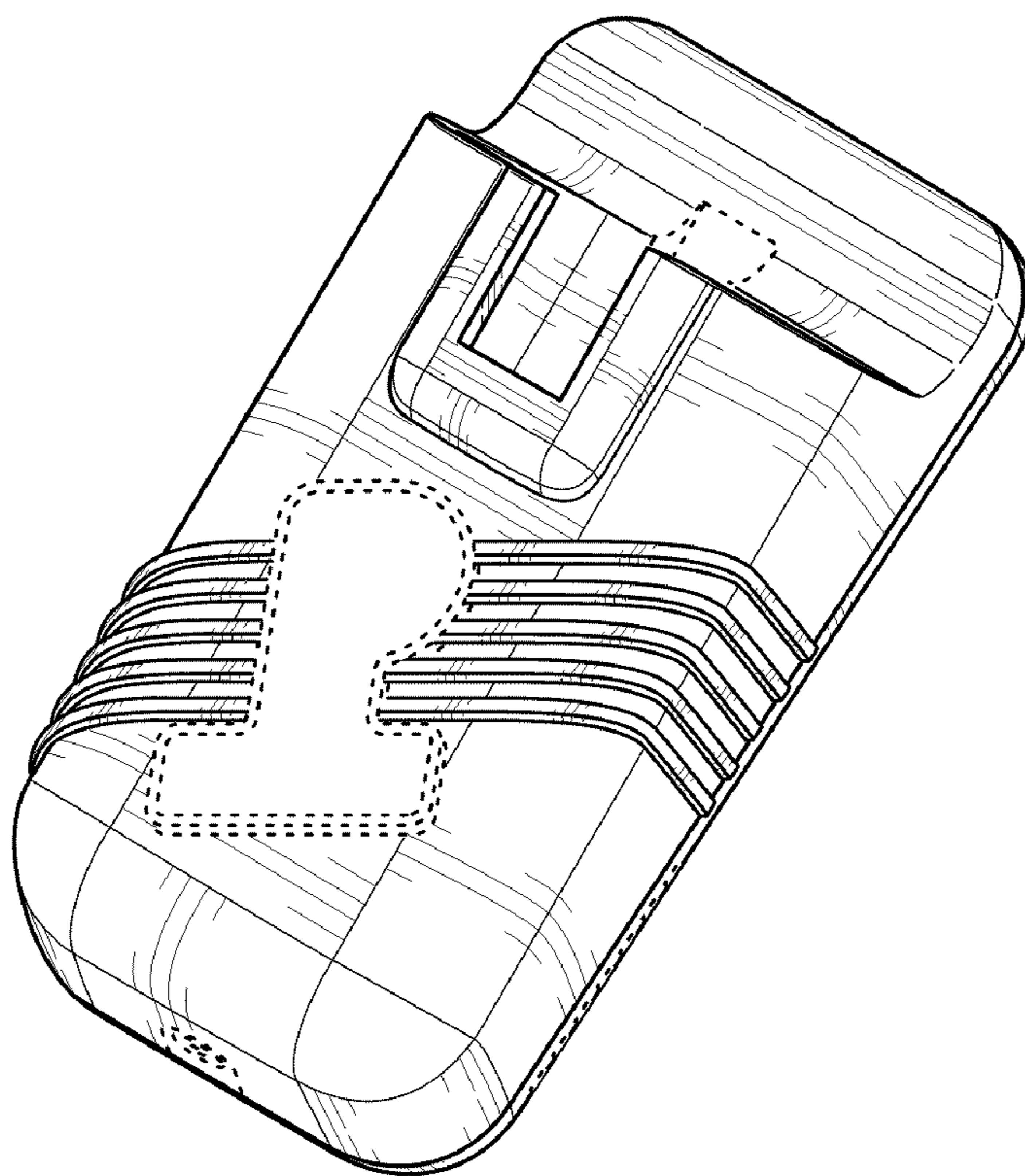


FIG. 9

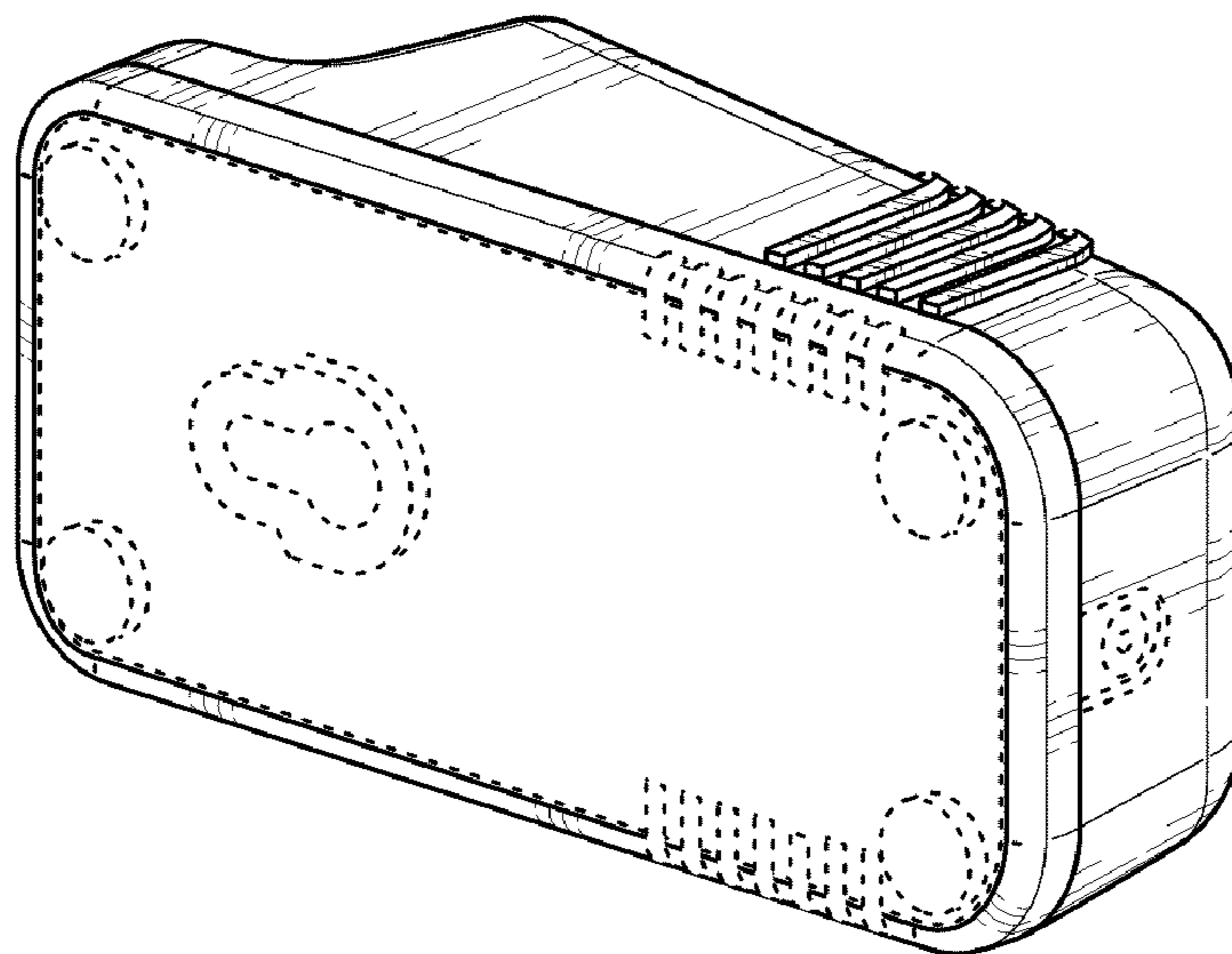


FIG. 10

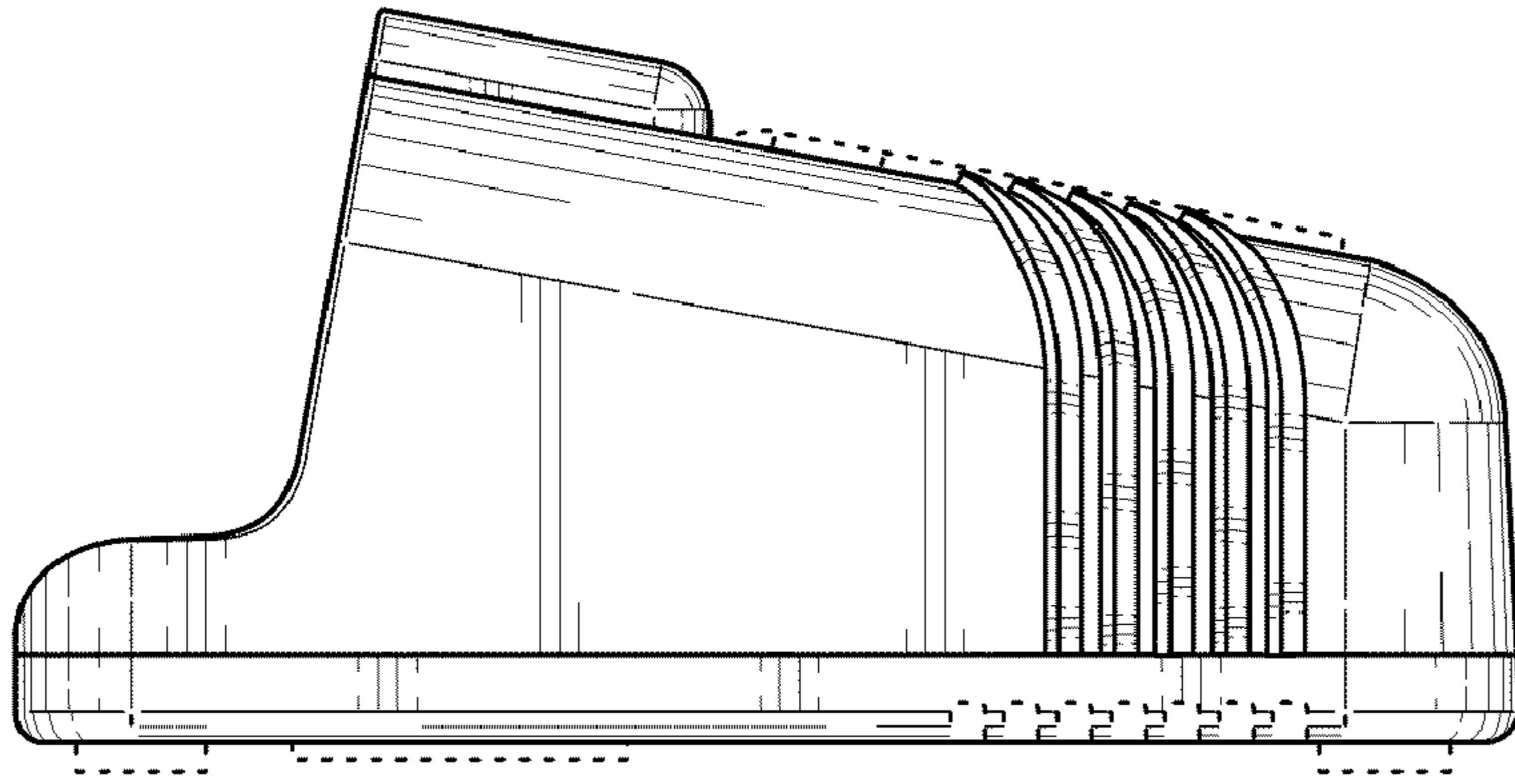


FIG. 11

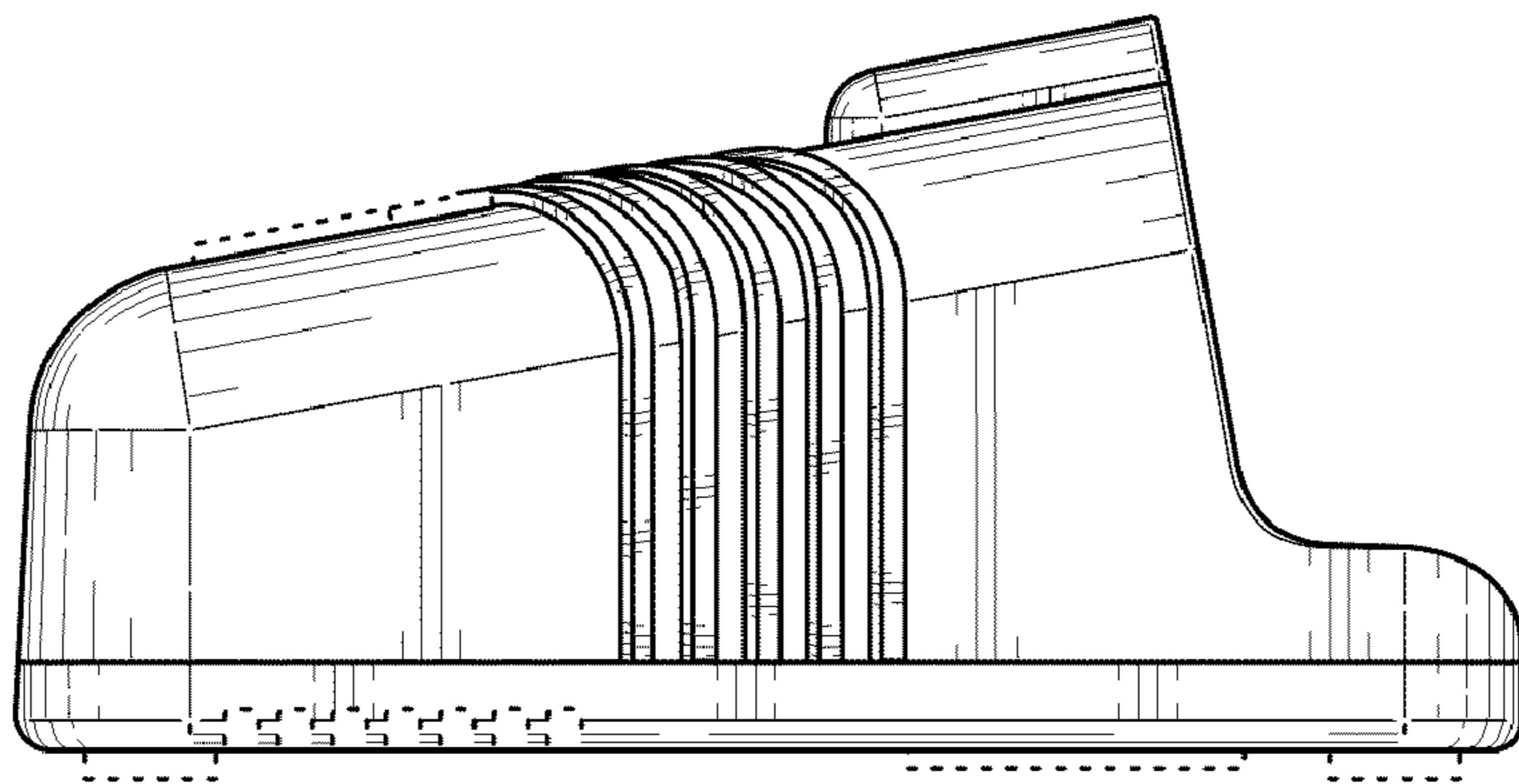


FIG. 12

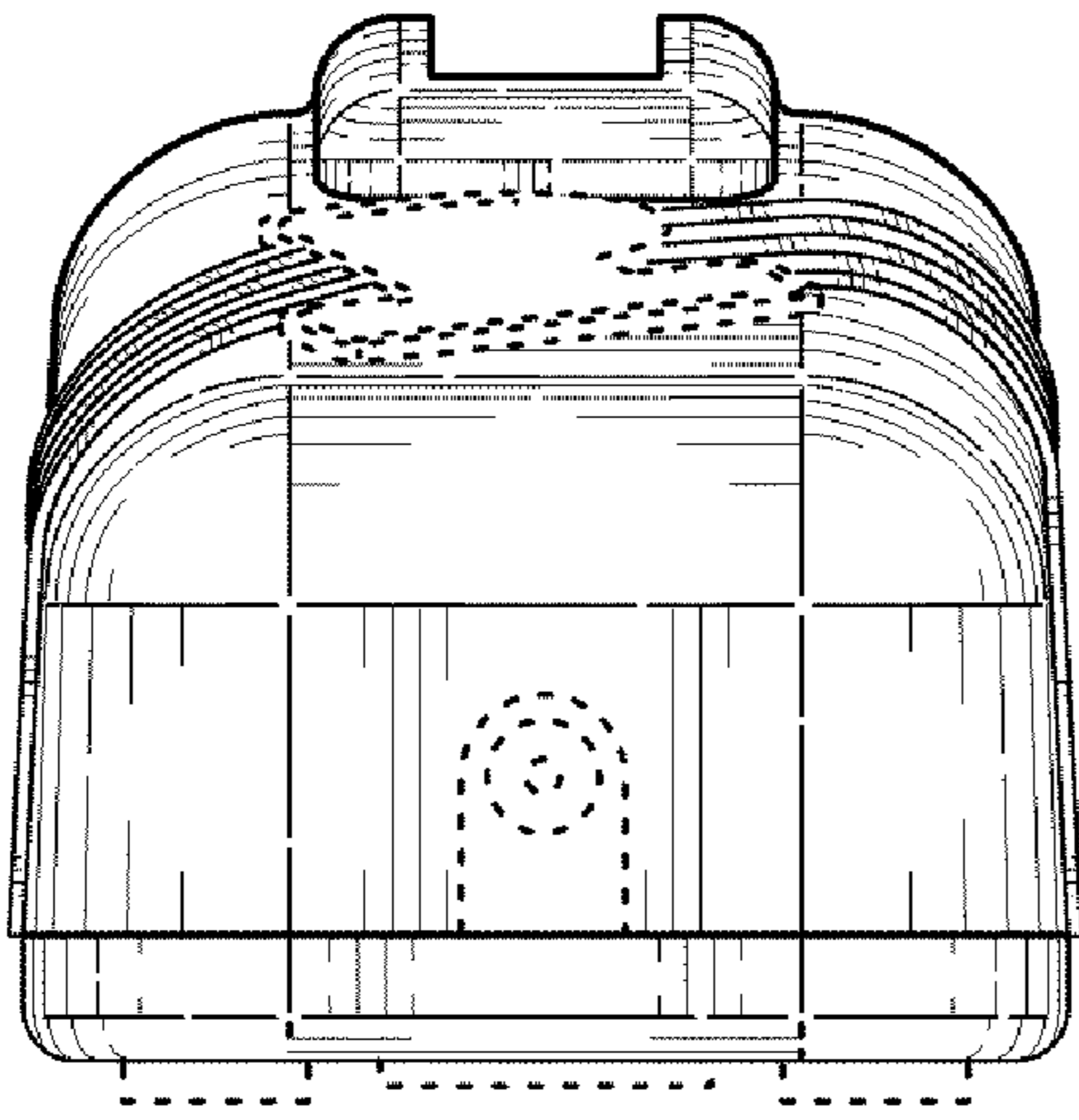


FIG. 13

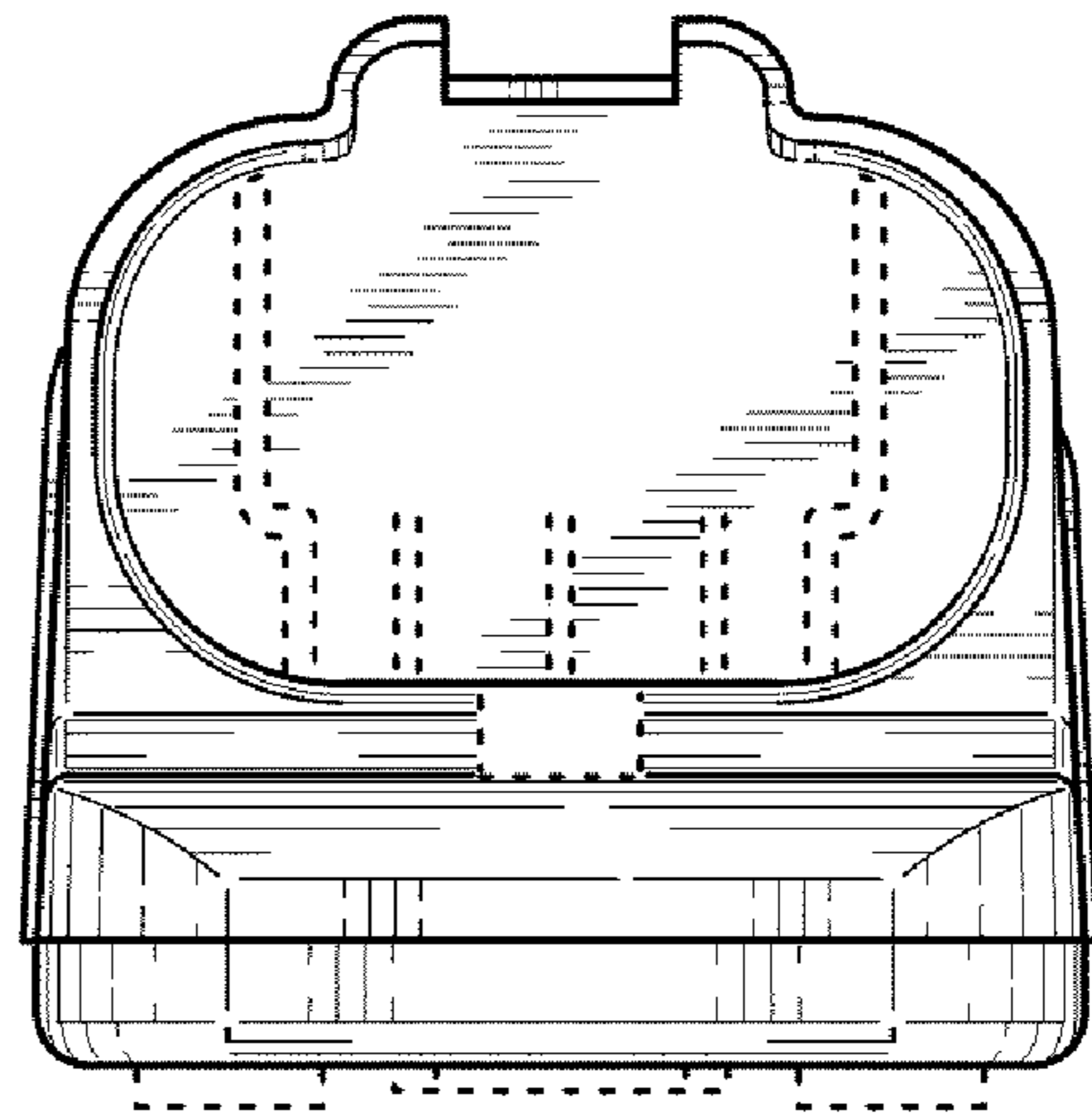


FIG. 14



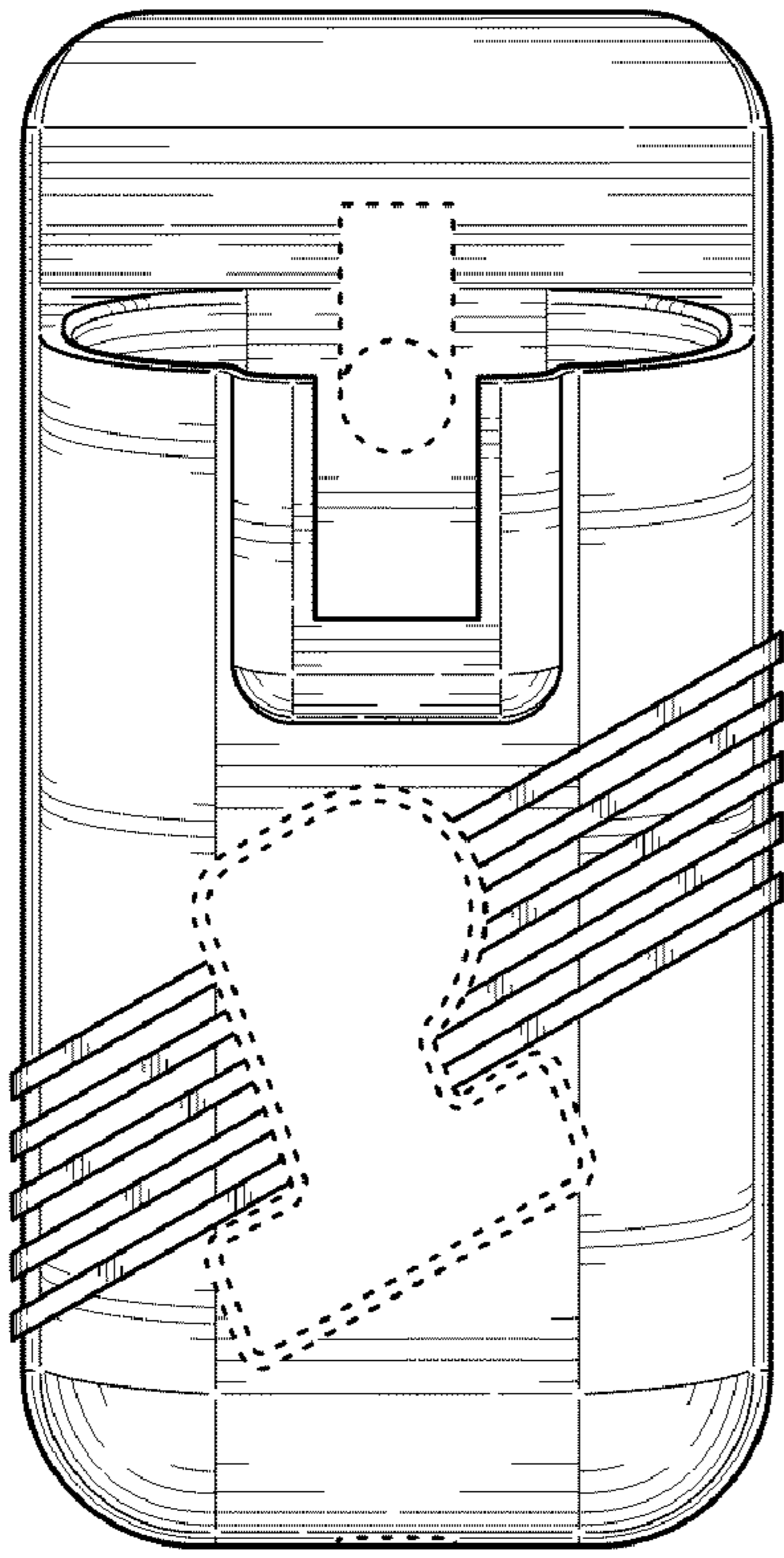


FIG. 15

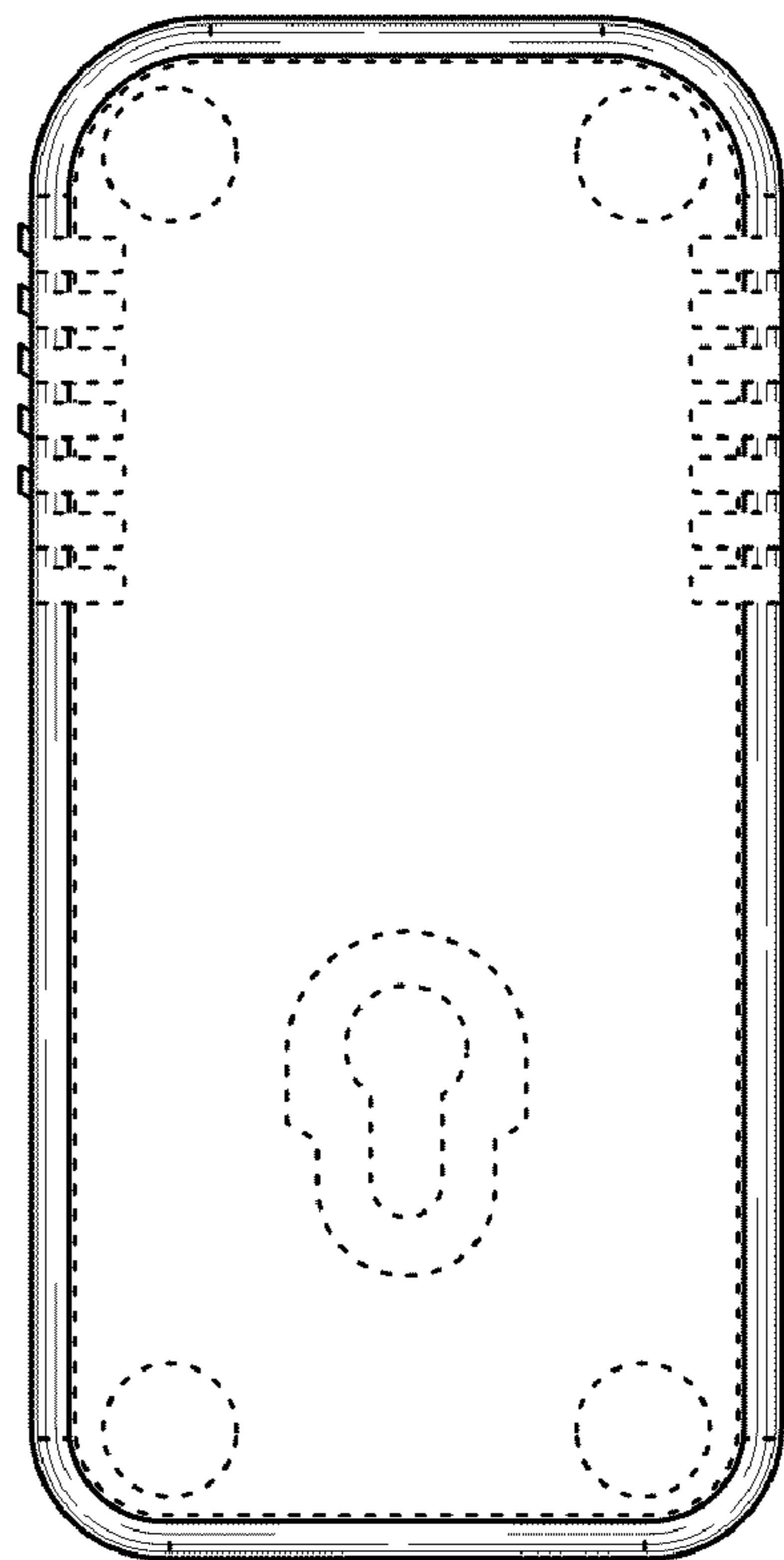


FIG. 16