



US00D649112S

(12) **United States Design Patent**
Conger

(10) **Patent No.:** **US D649,112 S**
(45) **Date of Patent:** **** Nov. 22, 2011**

(54) **SOLAR ARRAY**

(75) Inventor: **Steven J. Conger**, Carbondale, CO (US)

(73) Assignee: **P4P Holdings, LLC**, Carbondale, CO (US)

(**) Term: **14 Years**

(21) Appl. No.: **29/319,853**

(22) Filed: **Jun. 16, 2008**

Related U.S. Application Data

(63) Continuation-in-part of application No. 29/318,238, filed on May 15, 2008, now Pat. No. Des. 605,585, which is a continuation-in-part of application No. 11/856,521, filed on Sep. 17, 2007, now Pat. No. 7,687,706, which is a continuation of application No. 10/606,204, filed on Jun. 25, 2003, now Pat. No. 7,285,719.

(51) **LOC (9) Cl.** **13-02**

(52) **U.S. Cl.** **D13/102**

(58) **Field of Classification Search** D13/102, D13/101, 184, 199; 52/82, 83, 173.3; 126/623, 126/624; 136/206, 244-252, 256, 291, 292; 248/49; 359/848, 853

See application file for complete search history.

(56) **References Cited**

U.S. PATENT DOCUMENTS

3,704,560	A	12/1972	Ratliff, Jr.
4,025,786	A	5/1977	Hamilton
4,063,963	A	12/1977	Bond, Jr.
4,071,017	A	1/1978	Russell, Jr. et al.
4,186,720	A	2/1980	Schmauder et al.
4,216,762	A	8/1980	Klaila
4,245,895	A	1/1981	Wildenrotter
4,269,173	A	5/1981	Krueger et al.
D260,679	S	9/1981	Mayerovitch
4,380,996	A	4/1983	Mengeringhausen
4,386,600	A	6/1983	Eggert, Jr.
4,415,759	A	11/1983	Copeland et al.

(Continued)

FOREIGN PATENT DOCUMENTS

DE 3643487 6/1988
(Continued)

OTHER PUBLICATIONS

Definition of "column," <http://www.thefreedictionary.com/p/column>, printed Dec. 14, 2010, 4 pages.

(Continued)

Primary Examiner — Stella M. Reid

Assistant Examiner — Derrick Holland

(74) *Attorney, Agent, or Firm* — Sheridan Ross, P.C.

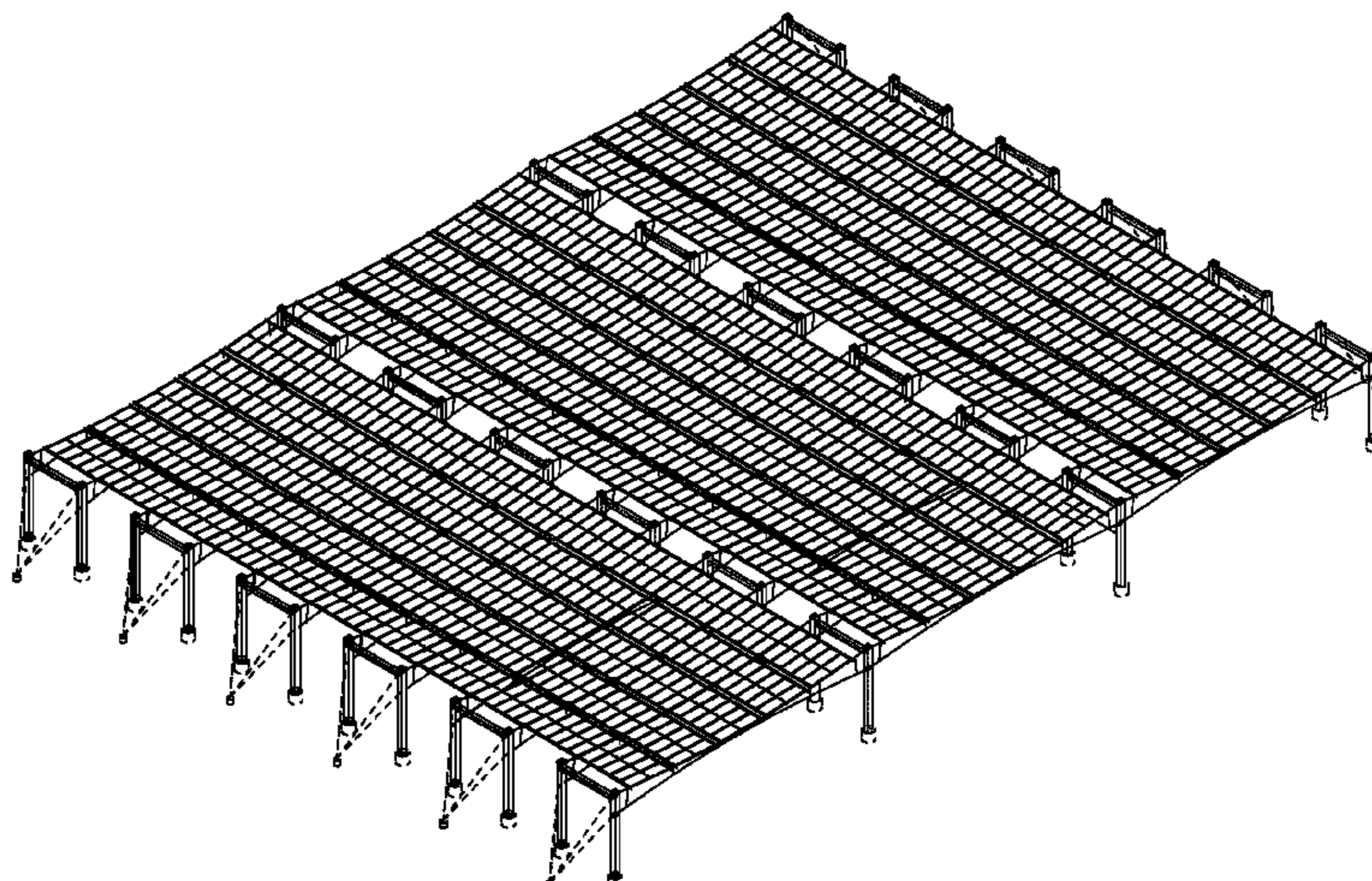
(57) **CLAIM**

The ornamental design for a solar array, as shown and described.

DESCRIPTION

FIG. 1 is a perspective view of a solar array showing my new design;
FIG. 2 is a front elevation view thereof, the rear elevation being a mirror image;
FIG. 3 is a top plan view thereof;
FIG. 4 is a bottom plan view thereof;
FIG. 5 is a left side elevation view thereof, the right side being a mirror image;
FIG. 6 is a perspective view of an alternate embodiment of a solar array showing my new design;
FIG. 7 is a front elevation view thereof, the rear elevation being a mirror image;
FIG. 8 is a top plan view thereof;
FIG. 9 is a bottom plan view thereof; and,
FIG. 10 is a left side elevation view thereof, the right side being a mirror image.
The broken lines shown represent unclaimed subject matter and form no part of the claimed design.

1 Claim, 6 Drawing Sheets



U.S. PATENT DOCUMENTS

4,429,178 A * 1/1984 Prideaux et al. 136/246
 4,449,347 A 5/1984 Rooney
 4,487,989 A 12/1984 Wakefield et al.
 4,574,535 A 3/1986 Pabsch
 4,587,951 A 5/1986 Townsend
 4,602,613 A 7/1986 Barr
 4,832,001 A 5/1989 Baer
 4,835,918 A 6/1989 Dippel
 D303,244 S 9/1989 Hanak
 5,058,565 A 10/1991 Gee et al.
 5,125,608 A 6/1992 McMaster et al.
 5,212,916 A 5/1993 Dippel et al.
 5,347,402 A * 9/1994 Arbogast 359/853
 D353,129 S 12/1994 Ricaud et al.
 5,478,407 A 12/1995 Dorison et al.
 5,524,401 A 6/1996 Ishikawa et al.
 D380,191 S 6/1997 White
 5,769,068 A 6/1998 Takahashi
 D408,554 S 4/1999 Dinwoodie
 5,961,099 A 10/1999 Thommen, Jr.
 D425,013 S * 5/2000 Lai D13/102
 6,091,016 A 7/2000 Kester
 6,105,316 A 8/2000 Bottger et al.
 D442,139 S * 5/2001 Sasaoka D13/102
 6,397,869 B1 6/2002 Jennings
 D469,399 S 1/2003 Shugar
 6,563,040 B2 5/2003 Hayden et al.
 D475,320 S 6/2003 Hensley et al.
 D511,576 S 11/2005 Shingleton et al.
 7,285,719 B2 10/2007 Conger
 D560,605 S 1/2008 McClintock et al.
 D560,606 S 1/2008 McClintock et al.
 2005/0109384 A1 5/2005 Shingleton et al.
 2005/0141153 A1 6/2005 Mucci et al.
 2006/0124168 A1 6/2006 Momii et al.
 2008/0047546 A1 2/2008 Cummings
 2008/0057776 A1 3/2008 Cummings
 2008/0061193 A1 3/2008 Conger
 2008/0066801 A1 3/2008 Schwarze
 2008/0135095 A1 6/2008 Cummings et al.
 2008/0168981 A1 7/2008 Cummings et al.
 2009/0038672 A1 2/2009 Conger
 2009/0184223 A1 7/2009 Schwarze et al.
 2009/0211625 A1 8/2009 Schwarze
 2010/0038507 A1 2/2010 Schwarze et al.

FOREIGN PATENT DOCUMENTS

DE 4038646 6/1992
 DE 10050021 4/2001
 DE 10116783 10/2002
 EP 0373234 6/1990
 JP 10-266499 10/1998
 JP 2004-71805 9/2005
 WO WO 2009/065377 5/2009

OTHER PUBLICATIONS

Difference between shear connection and moment connections, http://wiki.answers.com/Q/Difference_between_shear_connection_and_moment_connections, printed Dec. 14, 2010, 1 page.
 Definition of “moment connection,” <http://mbmisteelbuildings.com/metal-building-terms#m>, printed Dec. 19, 2010, 1 page.
 Definition of “moment,” <http://www.thefreedictionary.com/p/moment>, printed Dec. 19, 2010, 4 pages.
 International Preliminary Report on Patentability for International (PCT) Patent Application No. PCT/US2008/071414, mailed Nov. 25, 2010.
 International Preliminary Report On Patentability for International (PCT) Patent Application No. PCT/US2009/044060, mailed Nov. 25, 2010.
 Solon Hilber—Malaga/Spain, available at <http://www.solonhilber.at>, translated by Google translate, available at least as early as Sep. 21, 2007, printed Mar. 23, 2010, 7 pages.
 “Coolearth technology” coolearth, available at <http://www.coolearthsolar.com/technology>, date unknown, p. 1-2.
 “Sharp Provides Solar Panels for Winery’s “Floatovoltaic” Solar Array”, available at <http://solarbuss.com/News/NewsNAPR1099.htm>, dated May 29, 2008 (accessed Jun. 23, 2008), pp. 1-2.
 Foster + Partners “Hearst Headquarters”, available at <http://www.fosterandpartners.com/Projects/1124/Default.aspx>, printed Aug. 5, 2008, 11 pages.
 Examination Report for European Patent Application No. 04759693. 7-1528, dated Apr. 27, 2007.
 International Search Report for International (PCT) Patent Application No. PCT/US2004/008509, dated Oct. 22, 2004.
 Written Opinion for International (PCT) Patent Application No. PCT/US2004/008509, dated Oct. 21, 2004.
 International Preliminary Report on Patentability for International (PCT) Patent Application No. PCT/US2004/008509, dated Oct. 14, 2005.
 International Search Report for International (PCT) Patent Application No. PCT/US09/44060, mailed Jun. 24, 2009.
 Written Opinion for International (PCT) Patent Application No. PCT/US09/44060, mailed Jun. 24, 2009.
 Examiner’s First Report for Australian Patent Application No. 2004231646, dated Jul. 23, 2008.
 International Search Report for International (PCT) Patent Application No. PCT/US08171414, dated Sep. 26, 2008.
 Written Opinion for International (PCT) Patent Application No. PCT/US08/71414, dated Sep. 26, 2008.
 Baumgartner et al. “Solar Wings A New Lightweight PV Tracking System”, 23re Eu PVSEC, Valencia, Sep. 4, 2008, invited talk 4DO. 9.5.
 Solyndra web pages available at <http://www.solyndra.com>, printed May 11, 2009, 7 pages.
 “Single Axis SunPower T20 Trackers”, date unknown, 5 pages.
 U.S. Appl. No. 29/383,562, filed Jan. 19, 2011, Conger.

* cited by examiner

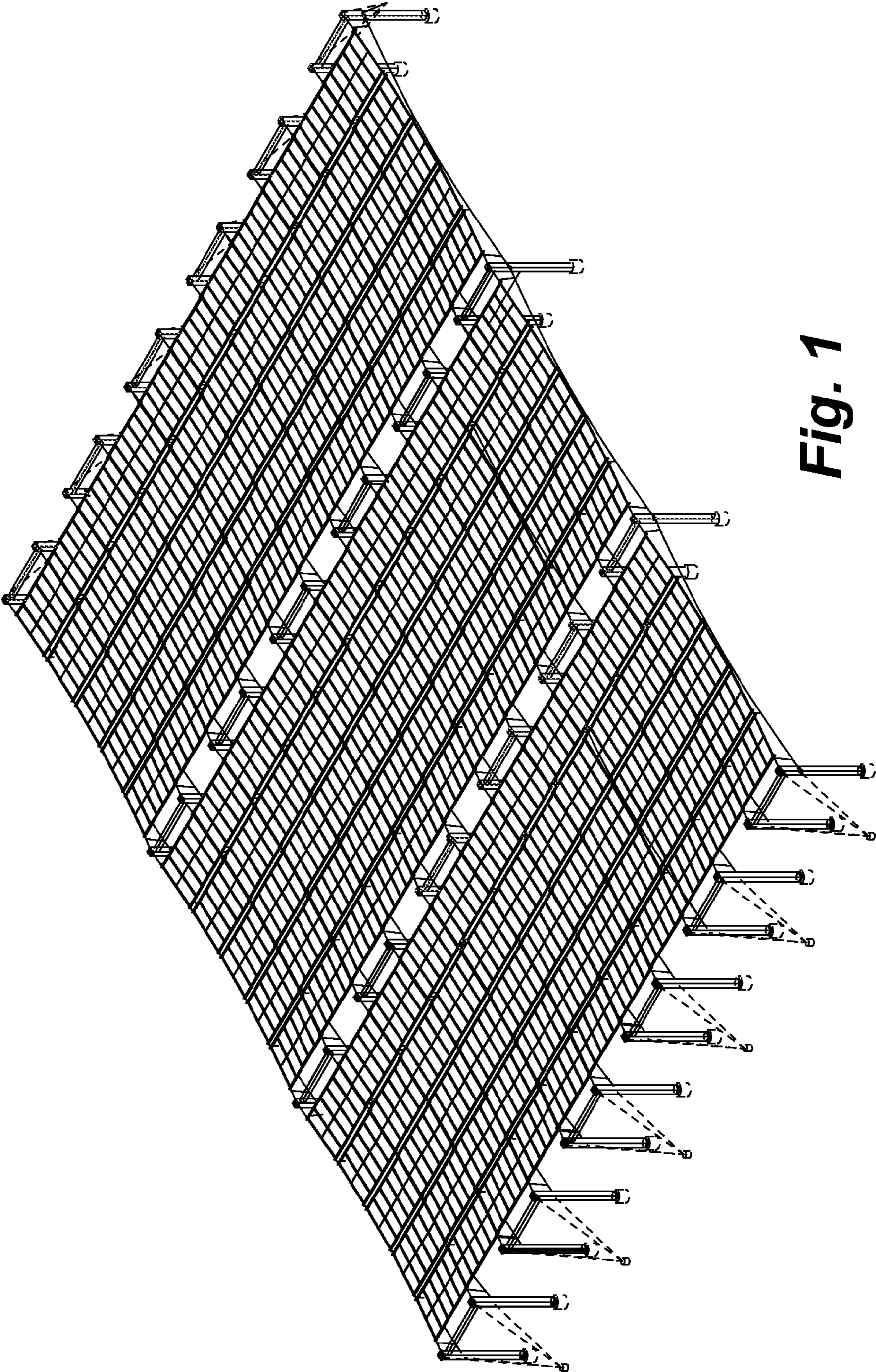


Fig. 1

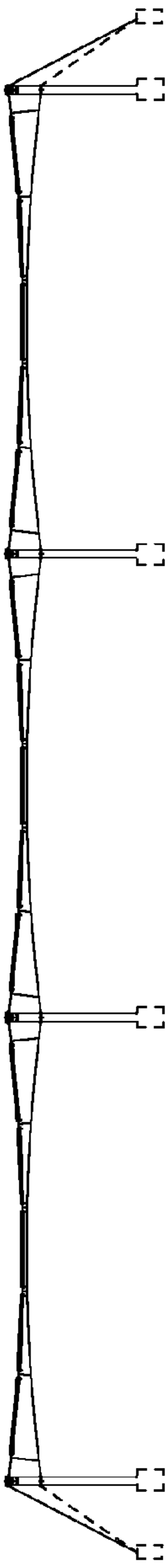


Fig. 2

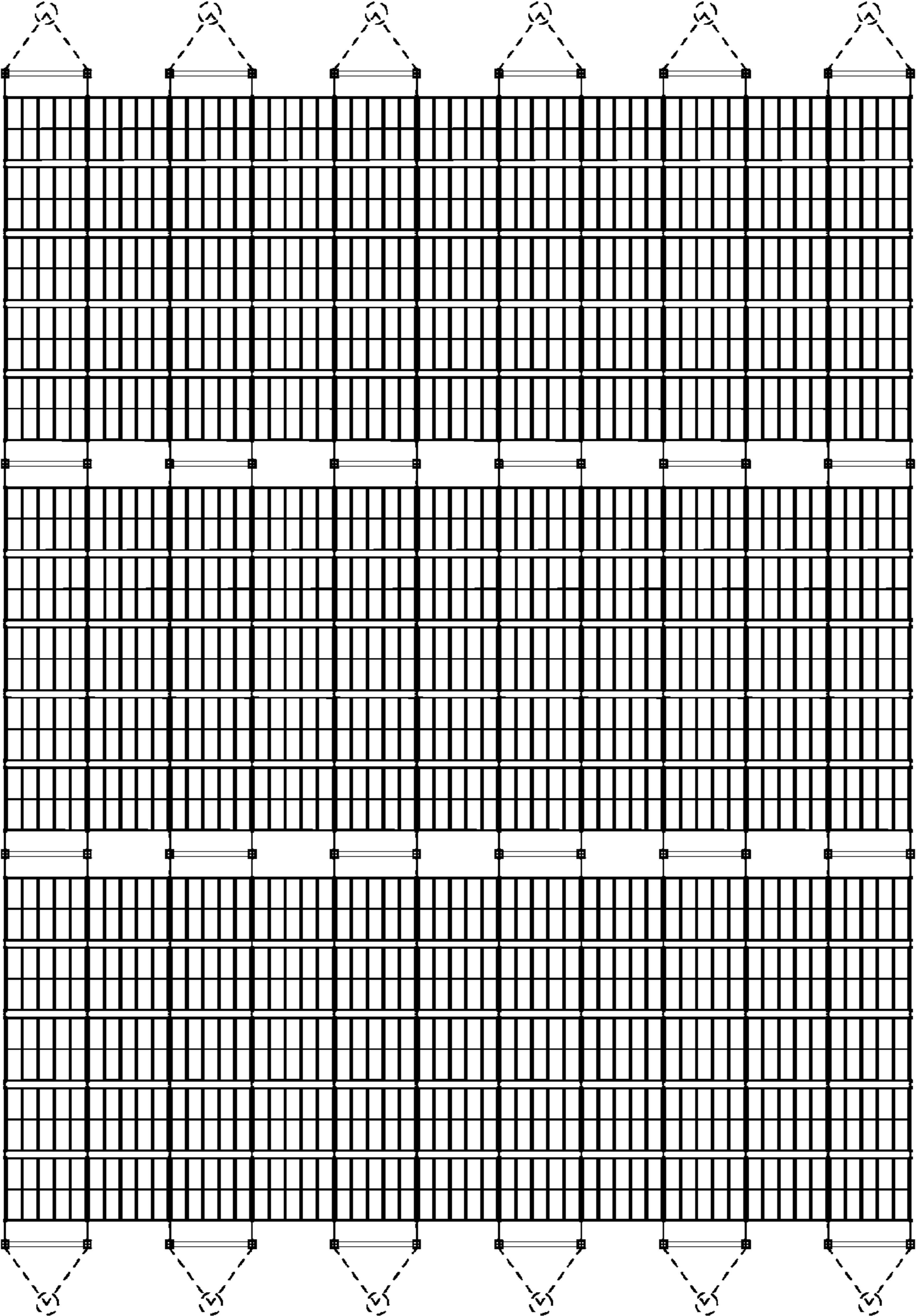


Fig. 3

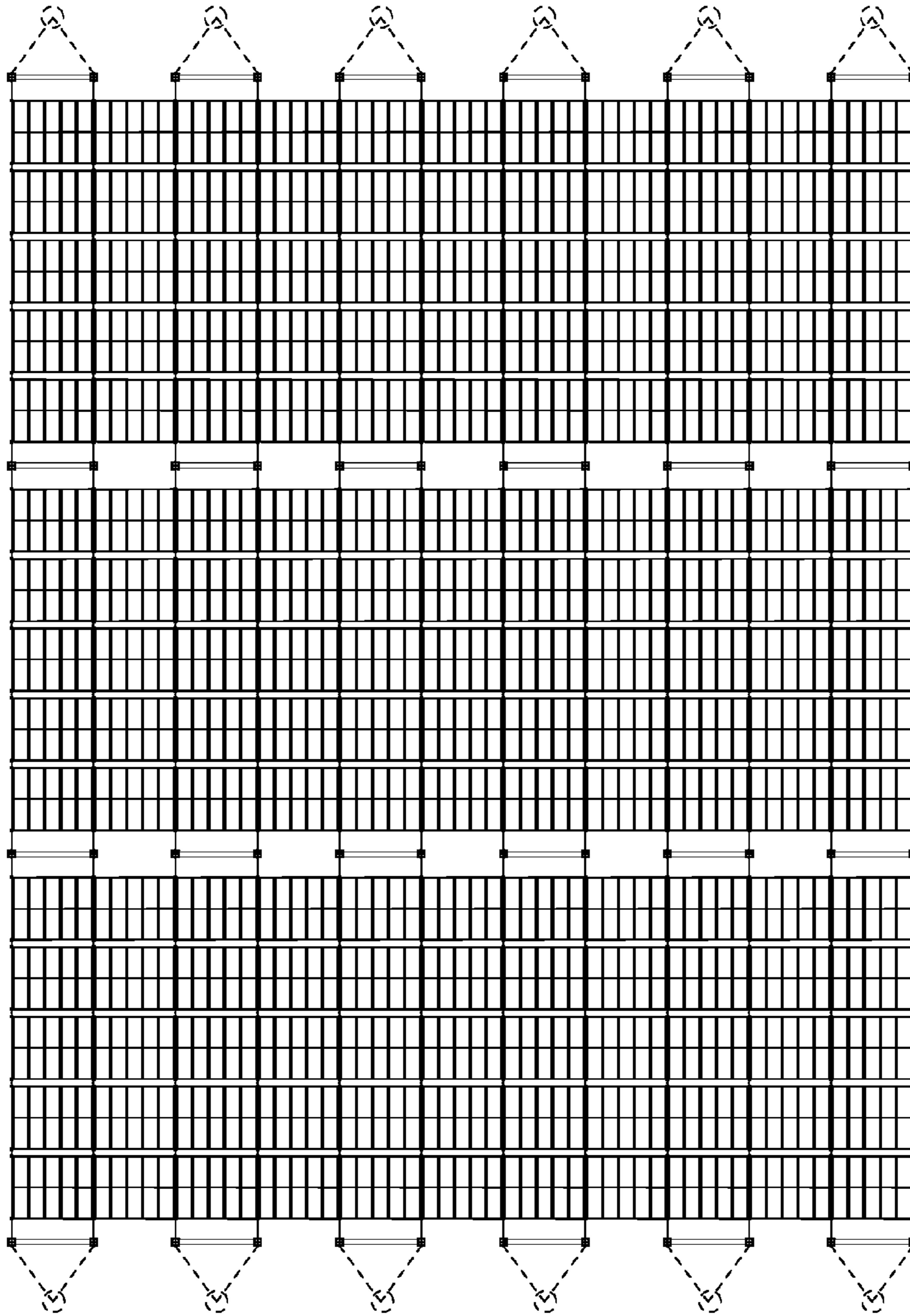


Fig. 4

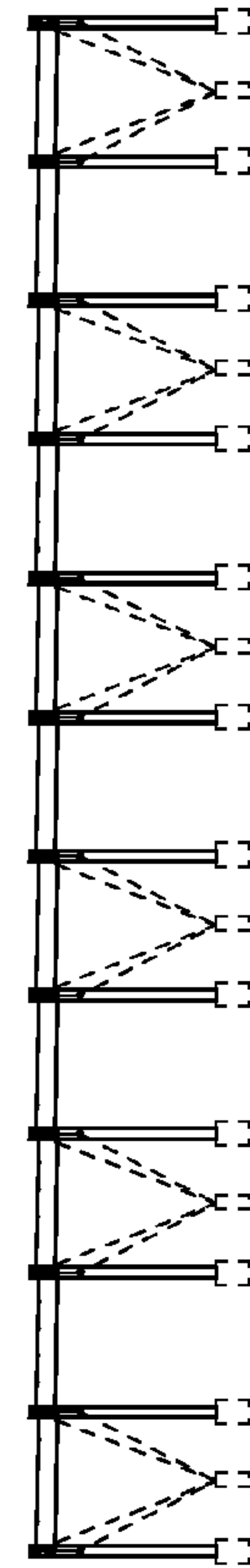


Fig. 5

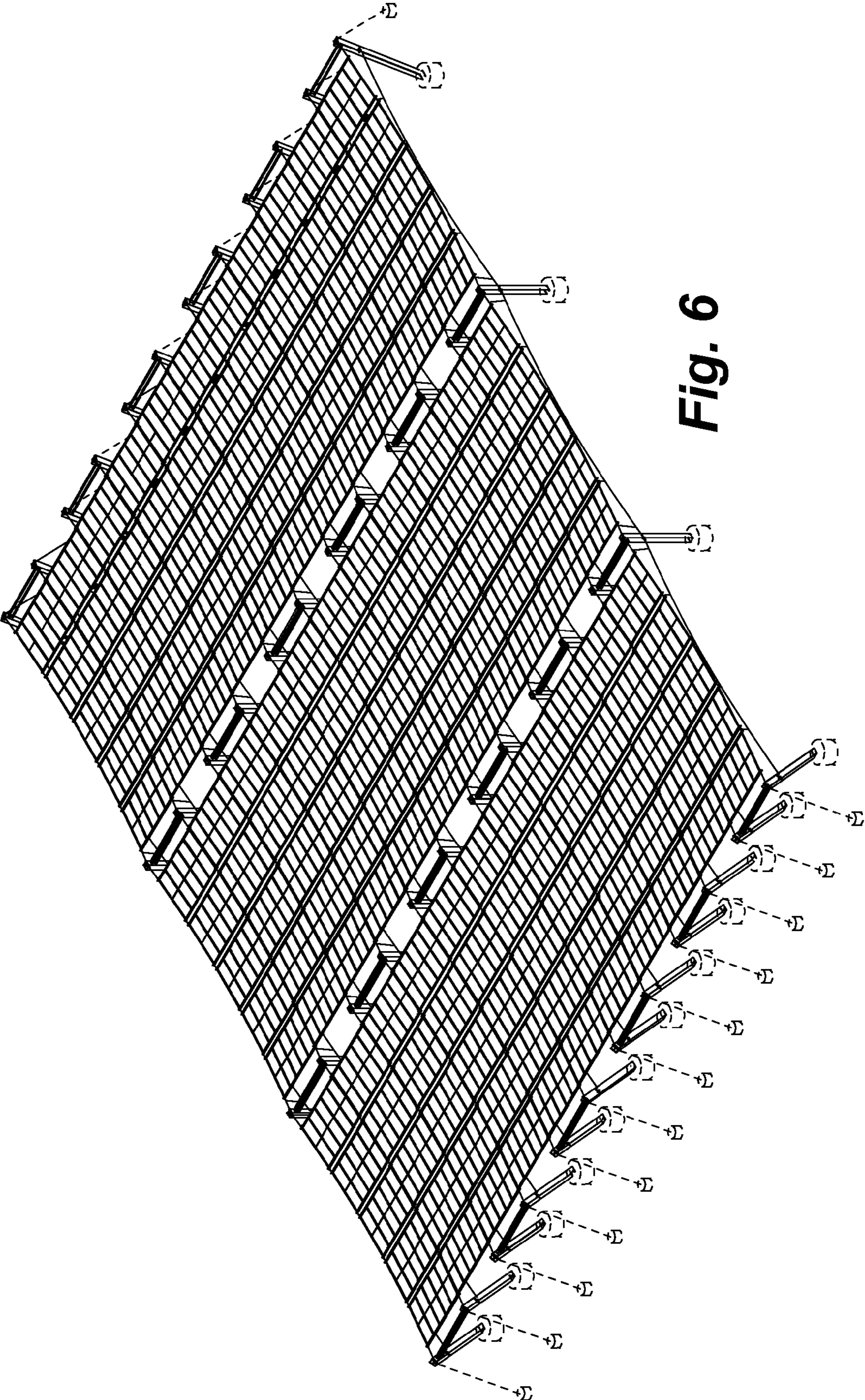


Fig. 6

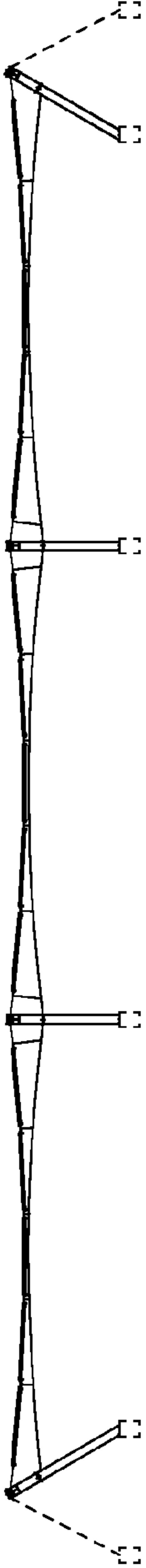


Fig. 7

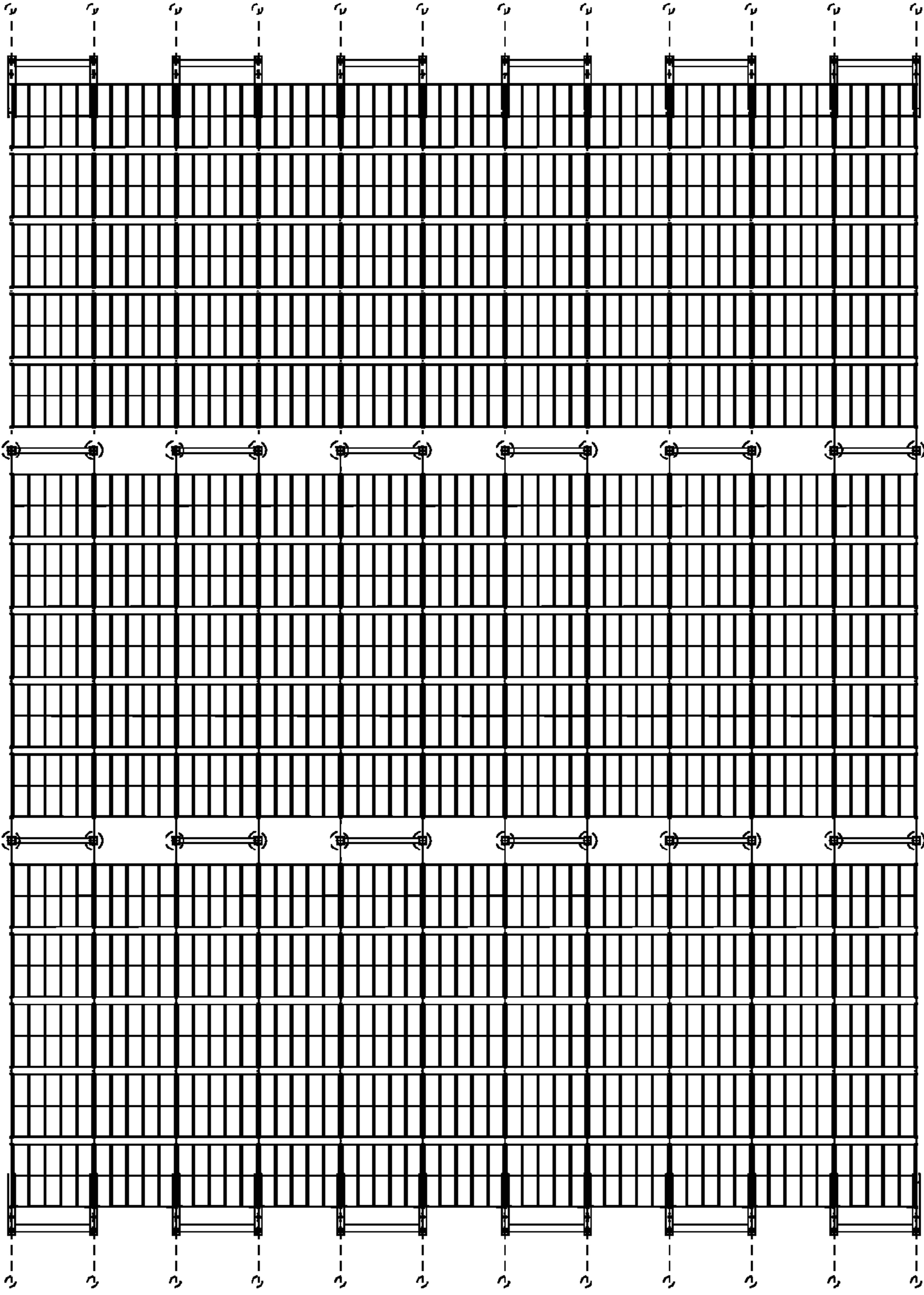


Fig. 8

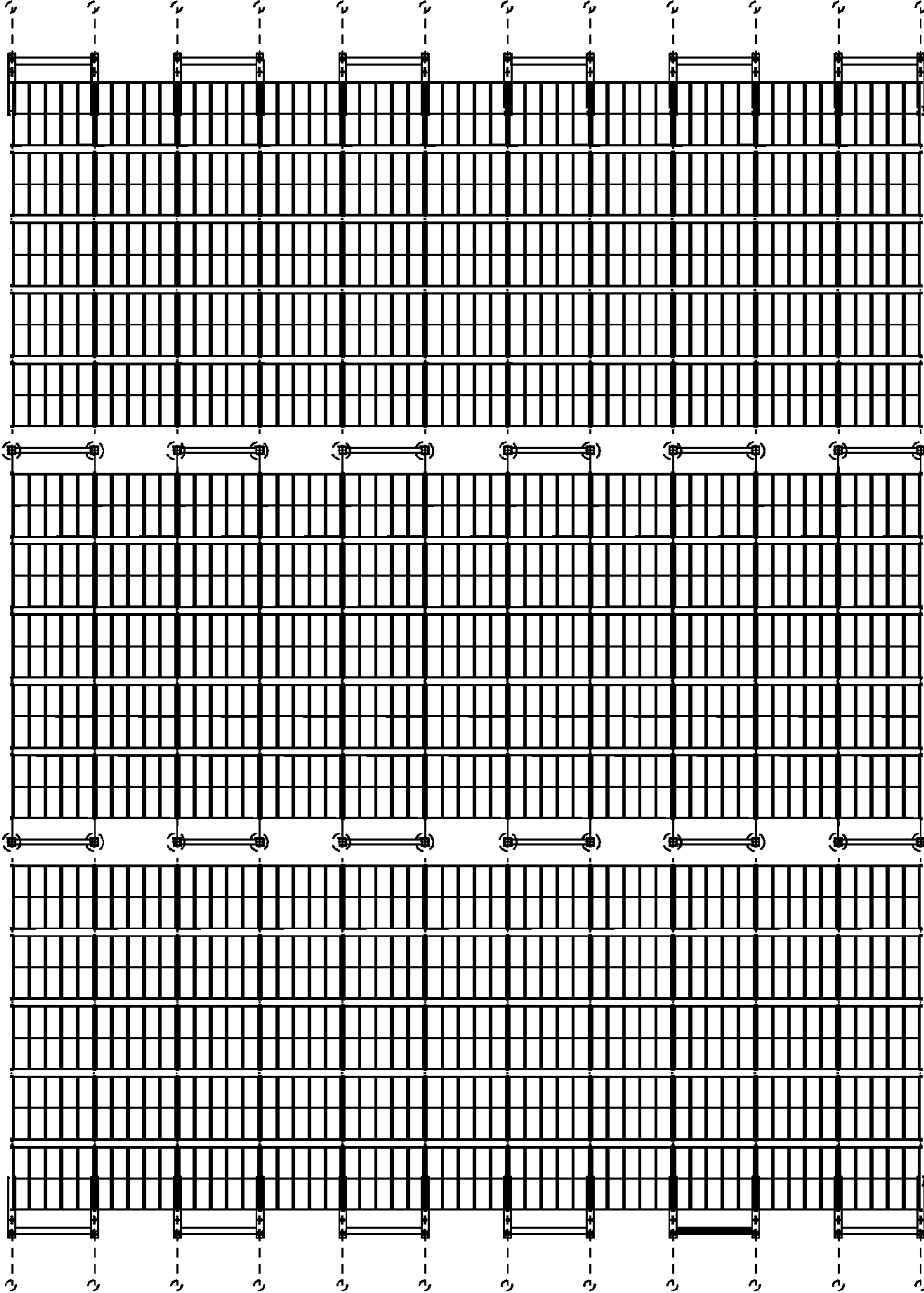


Fig. 9

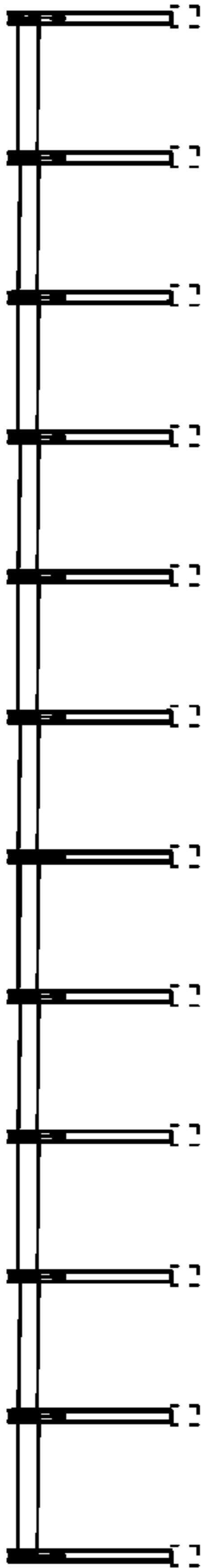


Fig. 10