



US00D649111S

(12) **United States Design Patent**
Tokizaki

(10) **Patent No.:** **US D649,111 S**

(45) **Date of Patent:** **** Nov. 22, 2011**

(54) **AUTOMOBILE TIRE**

(75) Inventor: **Hiroshi Tokizaki**, Tokyo (JP)

(73) Assignee: **The Yokohama Rubber Co., Ltd.**,
Tokyo (JP)

(**) Term: **14 Years**

(21) Appl. No.: **29/397,449**

(22) Filed: **Jul. 15, 2011**

(30) **Foreign Application Priority Data**

Jan. 18, 2011 (JP) 2001-000895

(51) **LOC (9) Cl.** **12-15**

(52) **U.S. Cl.** **D12/605**

(58) **Field of Classification Search** D12/500-501,
D12/544, 579, 600-605; 152/523-524, DIG. 12,
152/555; D7/588, 396.4-396.5

See application file for complete search history.

(56) **References Cited**

U.S. PATENT DOCUMENTS

- D503,146 S * 3/2005 Maxwell et al. D12/605
- D550,150 S * 9/2007 Shondel D12/605
- D568,236 S * 5/2008 Holden et al. D12/605
- D579,867 S * 11/2008 Behr et al. D12/605

- D581,353 S * 11/2008 Harvey D12/605
- D585,018 S * 1/2009 Shondel D12/605
- D639,727 S * 6/2011 Tokizaki D12/605

* cited by examiner

Primary Examiner — Stacia Cadmus

(74) *Attorney, Agent, or Firm* — Banner & Witcoff, Ltd.

(57) **CLAIM**

The ornamental design for an automobile tire, as shown and described.

DESCRIPTION

FIG. 1 is a perspective view of front and right side of an automobile tire showing my new design;
 FIG. 2 is a front view thereof;
 FIG. 3 is a rear view thereof;
 FIG. 4 is a top plan view thereof;
 FIG. 5 is a bottom view thereof;
 FIG. 6 is a left side view thereof;
 FIG. 7 is a right side view thereof;
 FIG. 8 is an enlarged view at 8-8 shown in FIG. 1 thereof;
 FIG. 9 is an enlarged view at 9-9 shown in FIG. 2 thereof;
 FIG. 10 is an enlarged view at 10-10 shown in FIG. 9 thereof;
 FIG. 11 is an enlarged view at 11-11 shown in FIG. 9 thereof;
 FIG. 12 is an ended view at 12-12 shown in FIG. 10 thereof and,
 FIG. 13 is an ended view at 13-13 shown in FIG. 10 thereof.
 The portions of the article in broken lines are shown for illustrative purposes only and form no part of the claimed design.

1 Claim, 10 Drawing Sheets

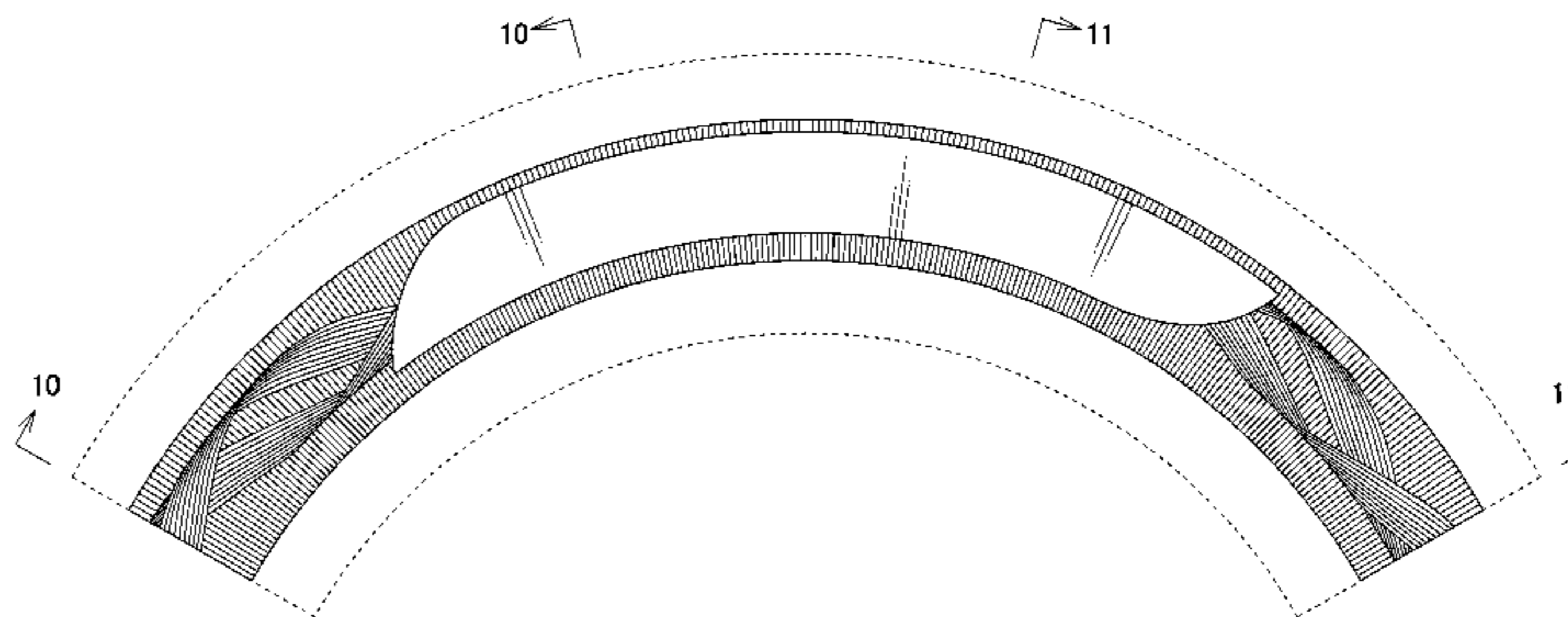
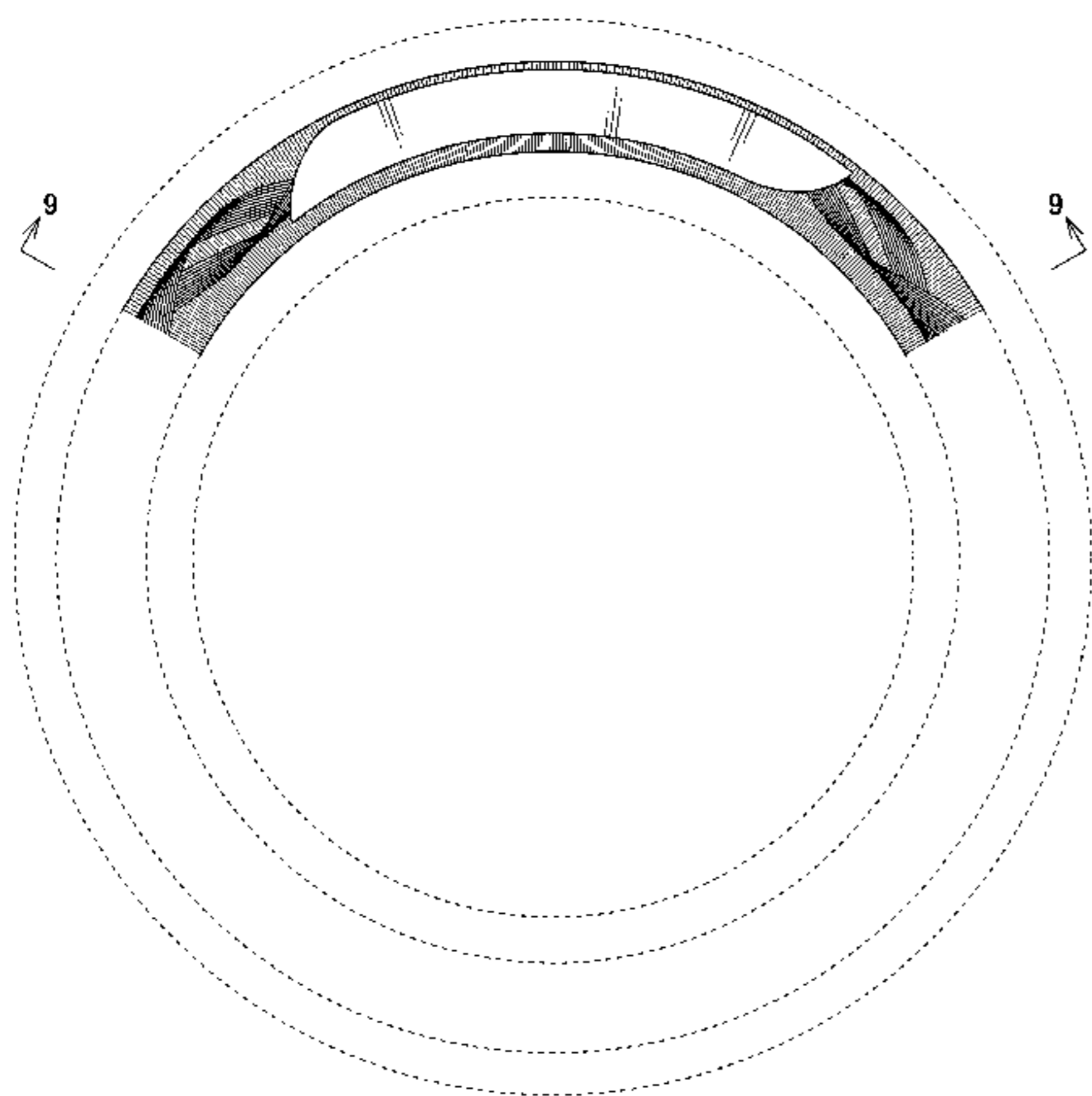


Fig. 1

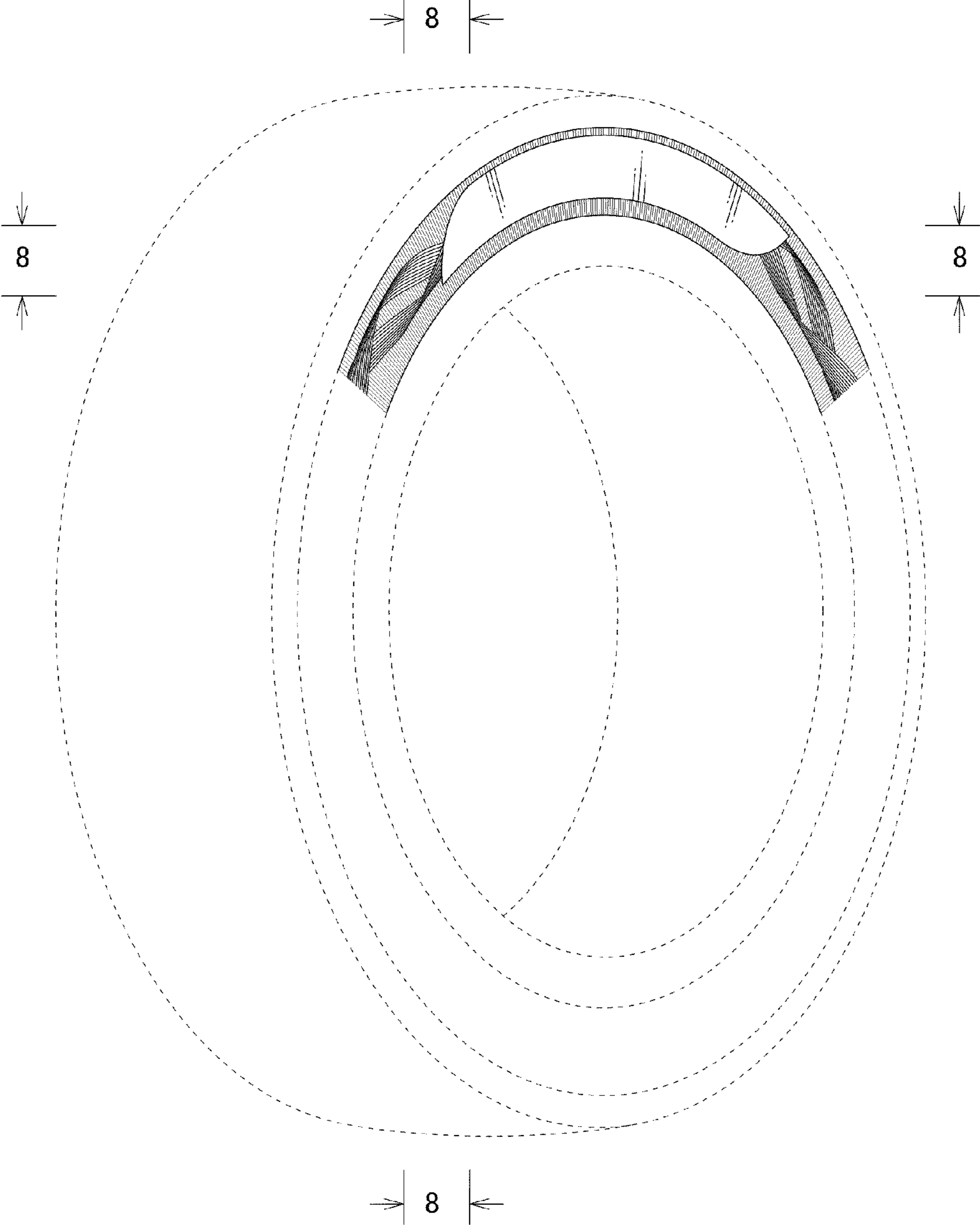


Fig. 2

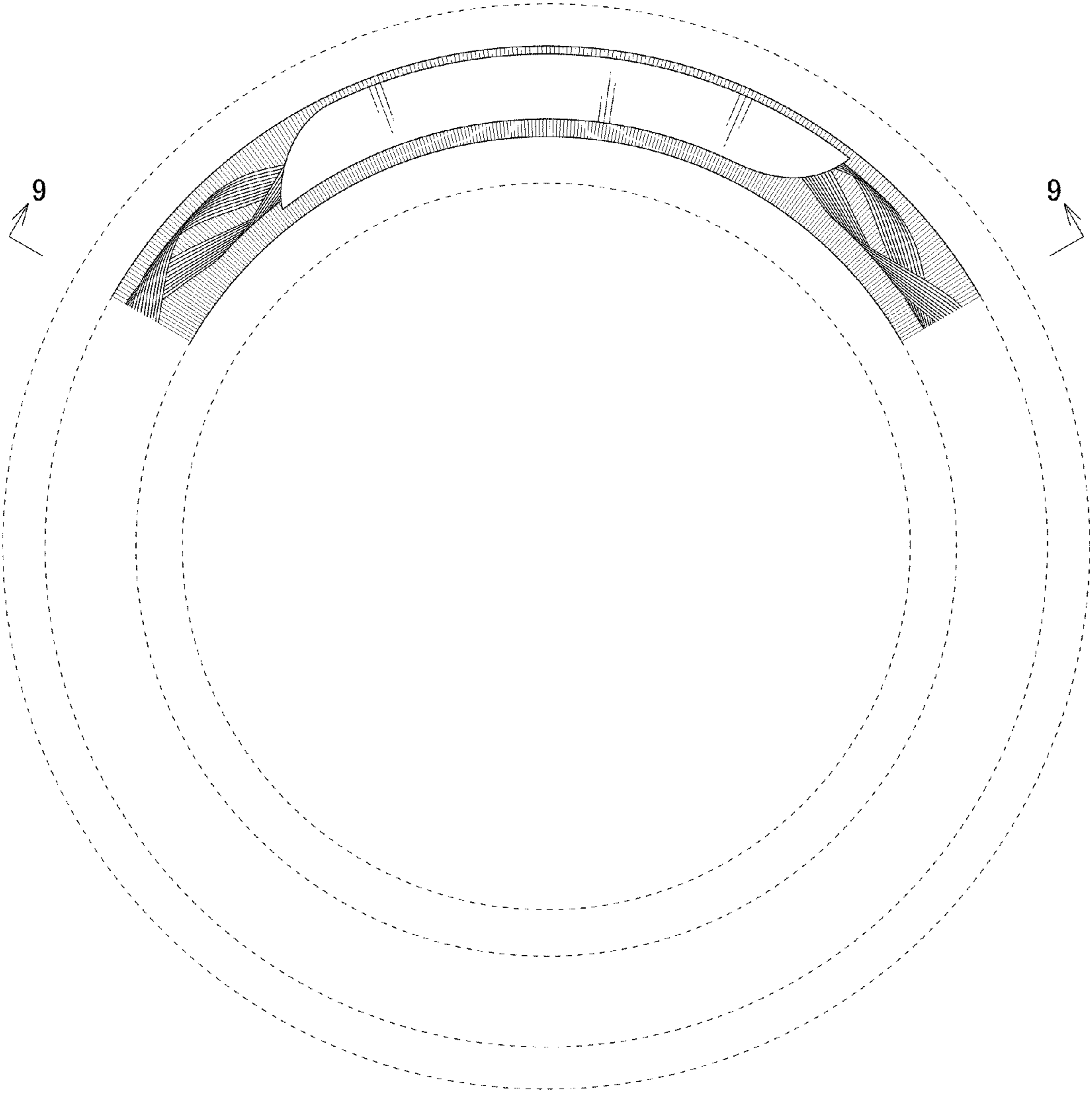


Fig. 3

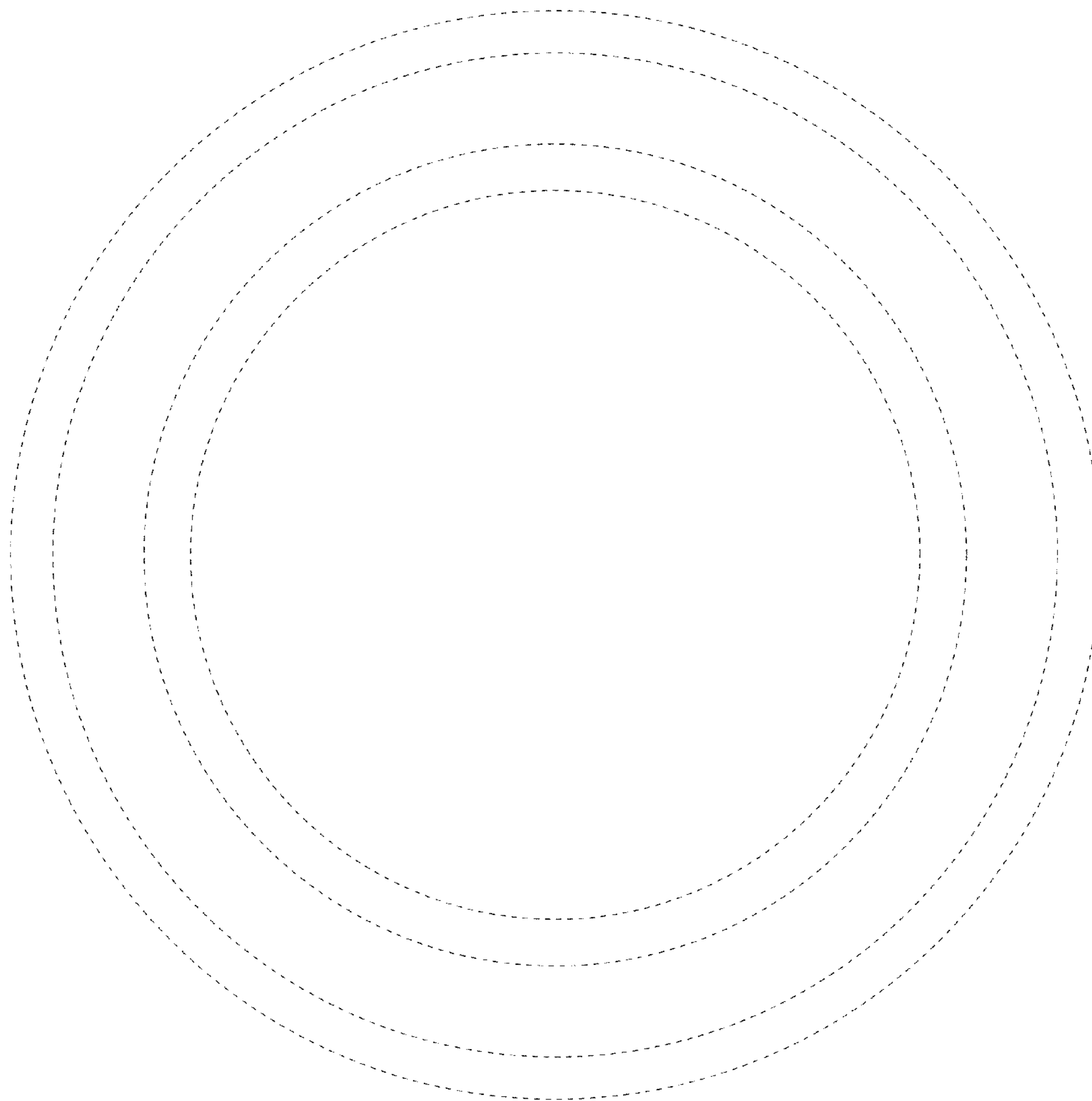


Fig. 4

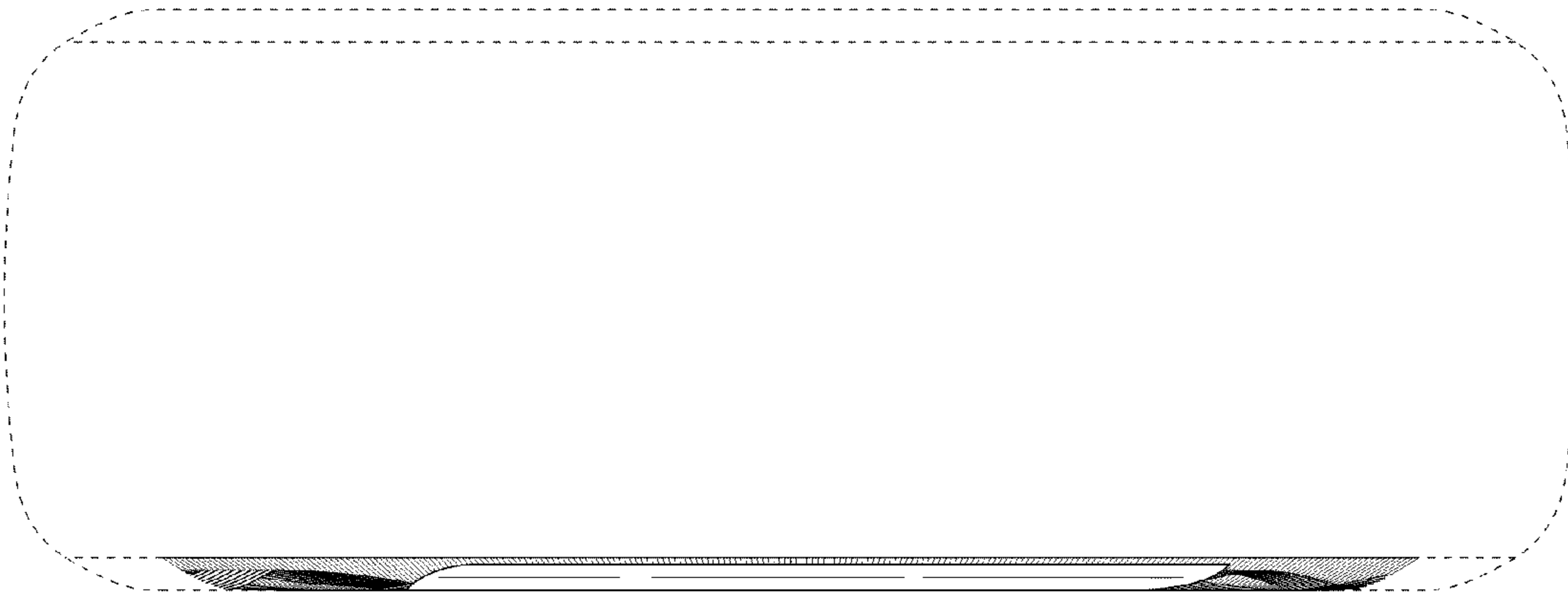


Fig. 5



Fig. 6

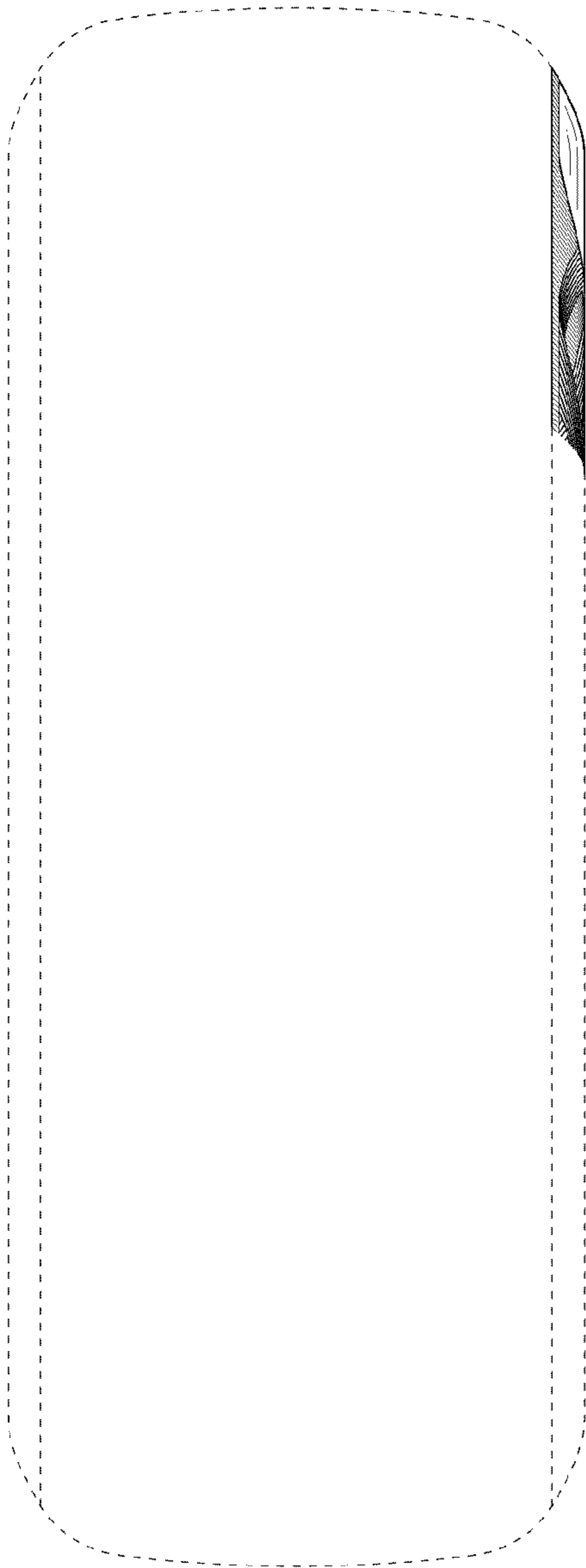


Fig. 7

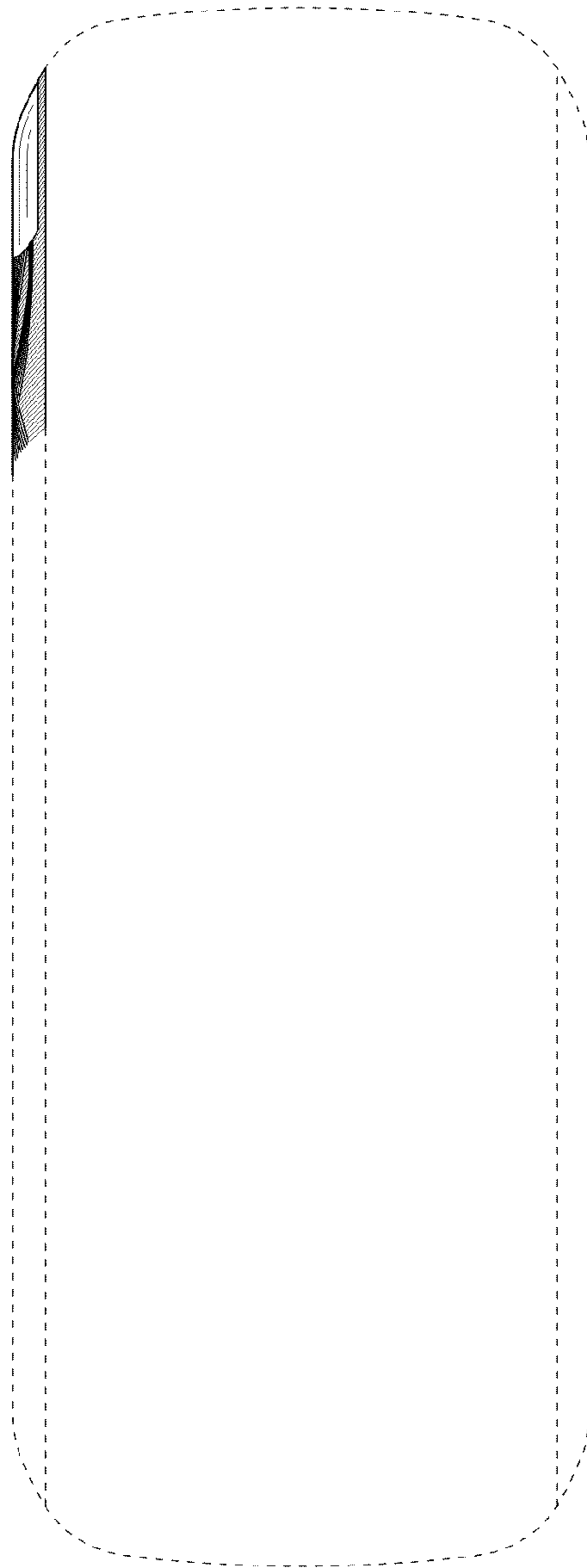


Fig. 8

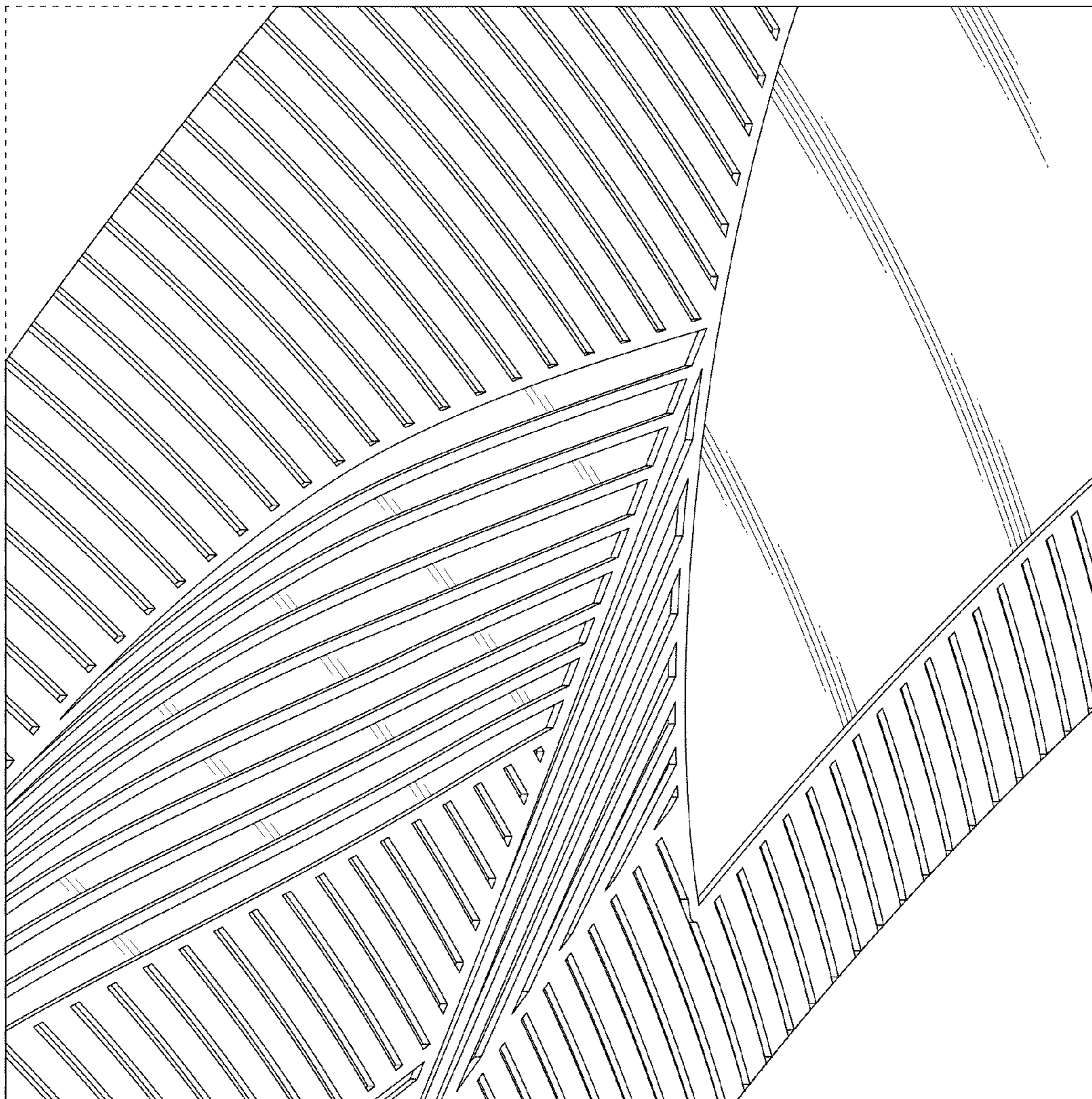


Fig. 9

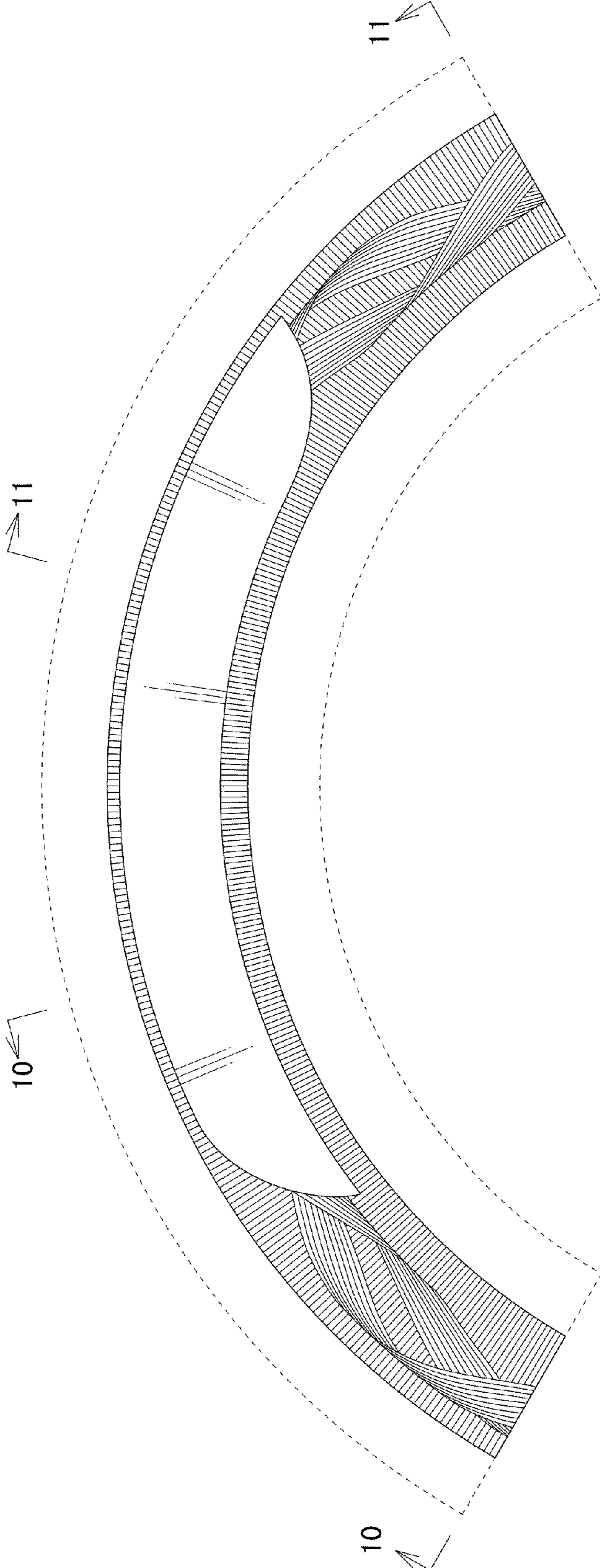


Fig. 10

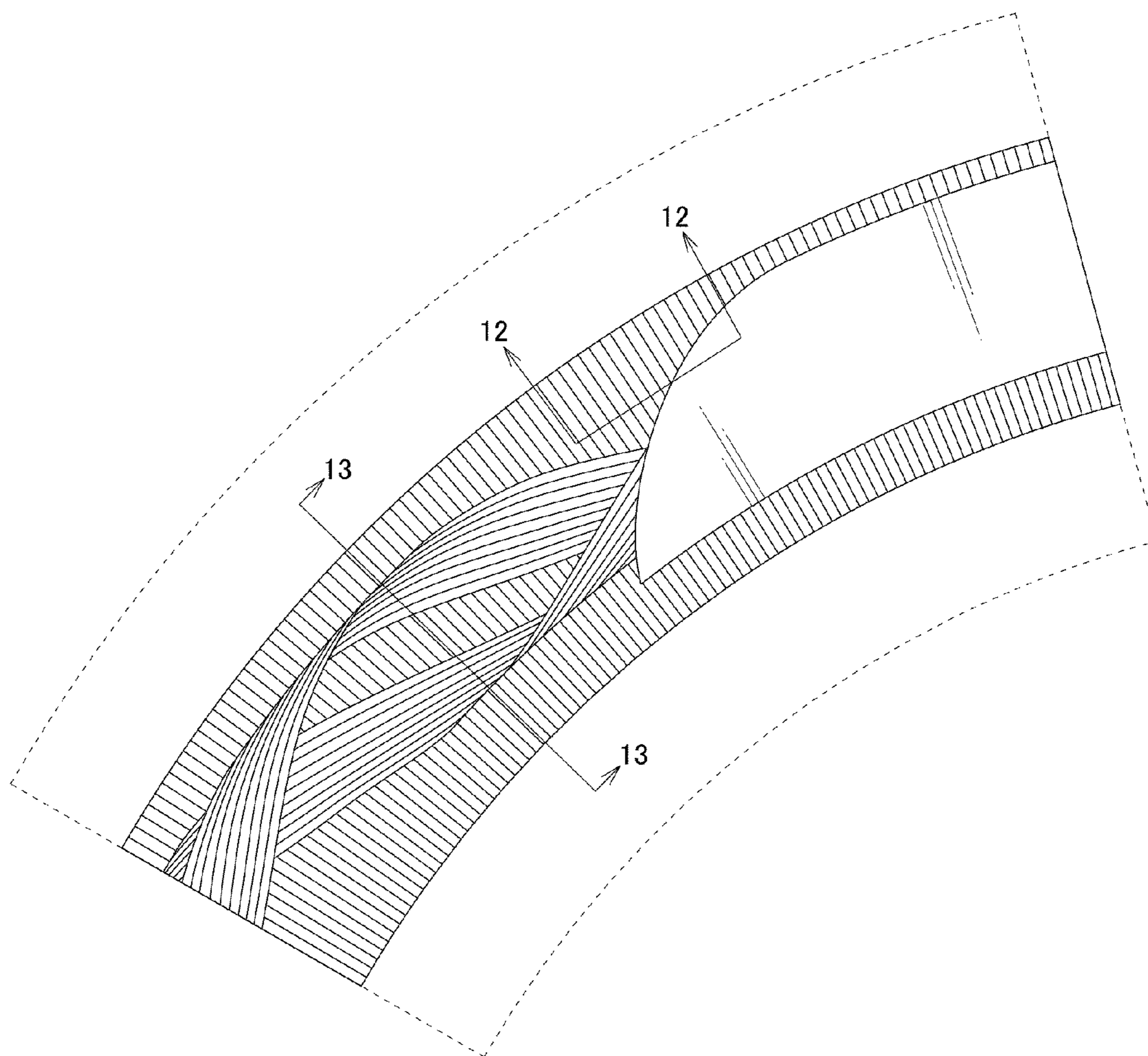


Fig. 11

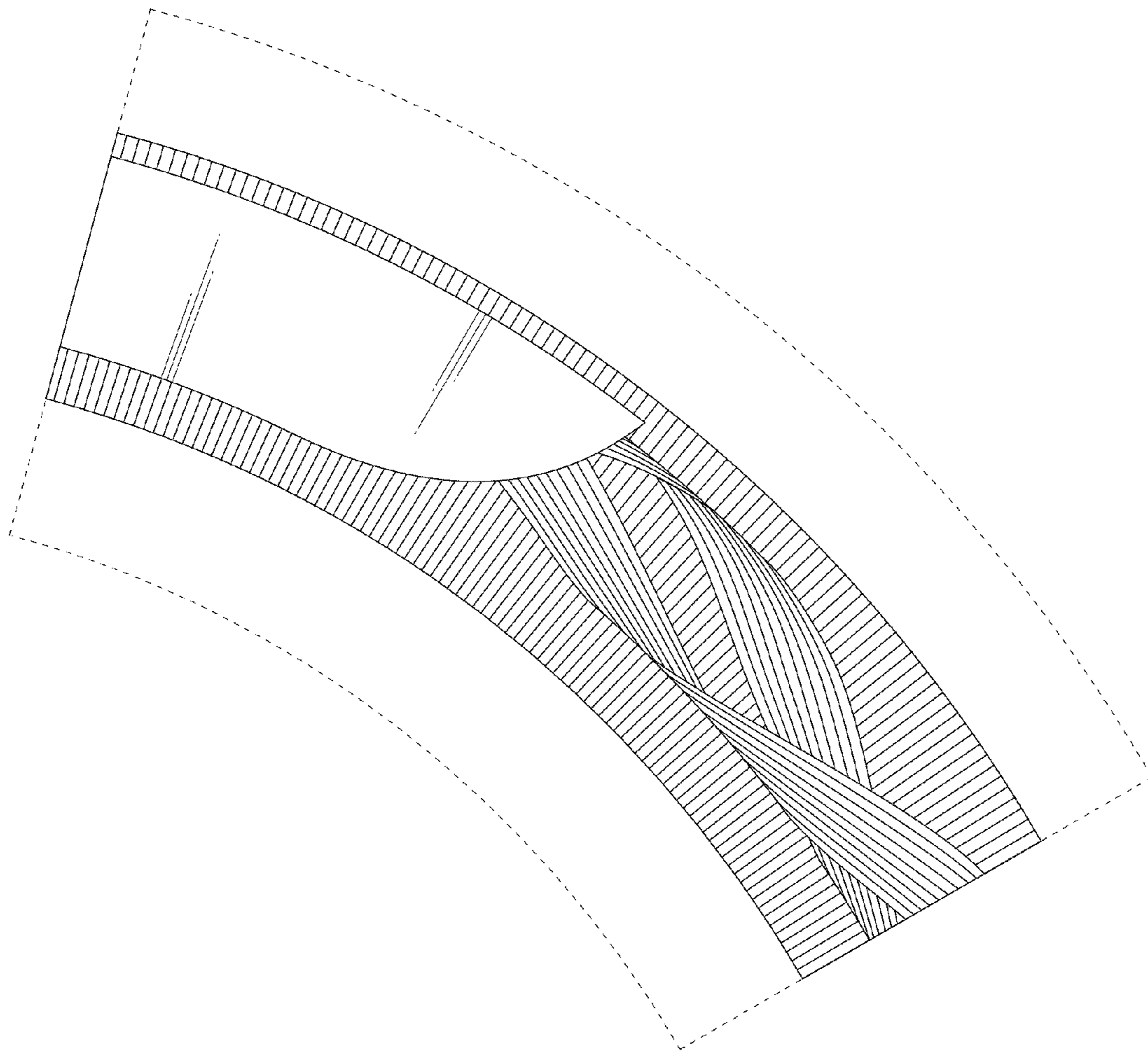


Fig. 12

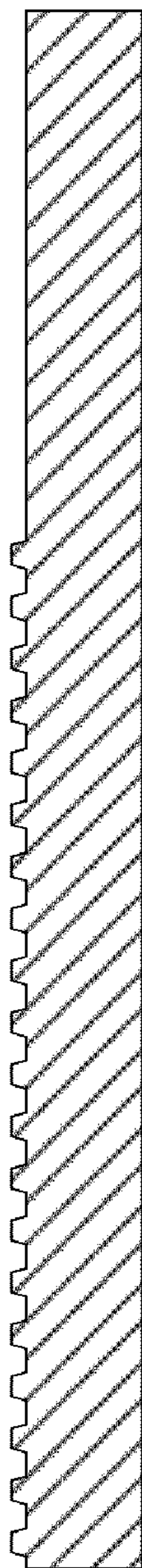


Fig. 13

