



US00D649107S

(12) **United States Design Patent**
Hale, Jr.

(10) **Patent No.:** **US D649,107 S**

(45) **Date of Patent:** **** Nov. 22, 2011**

(54) **VEHICLE-WHEEL FRONT FACE**

(75) **Inventor:** **Arthur D. Hale, Jr.**, Long Beach, CA
(US)

(73) **Assignee:** **Mobile Hi-Tech Wheels**, Rancho
Dominguez, CA (US)

(**) **Term:** **14 Years**

(21) **Appl. No.:** **29/399,812**

(22) **Filed:** **Aug. 18, 2011**

(51) **LOC (9) Cl.** **12-16**

(52) **U.S. Cl.** **D12/211**

(58) **Field of Classification Search** D12/204-213;
301/37.101, 64.101, 65, 64.201

See application file for complete search history.

(56) **References Cited**

U.S. PATENT DOCUMENTS

D399,474 S	*	10/1998	Stacy	D12/211
D410,426 S	*	6/1999	Frizzi	D12/211
D438,163 S	*	2/2001	Langerer	D12/211
D487,717 S	*	3/2004	Lenz	D12/211
D527,327 S	*	8/2006	Laengerer	D12/211
D545,262 S	*	6/2007	Southey	D12/211

D571,274 S	*	6/2008	Chung	D12/209
D577,649 S	*	9/2008	Ettensberger	D12/211
D579,846 S	*	11/2008	Chung	D12/209
D584,673 S	*	1/2009	Chung	D12/209
D617,252 S	*	6/2010	Zhao	D12/211
D618,154 S	*	6/2010	Zhao	D12/209
D626,487 S	*	11/2010	Leng	D12/209
D633,028 S	*	2/2011	Kim	D12/211

* cited by examiner

Primary Examiner — Stacia Cadmus

(74) *Attorney, Agent, or Firm* — Christie, Parker & Hale,
LLP

(57) **CLAIM**

The ornamental design for vehicle-wheel front face, as shown
and described.

DESCRIPTION

FIG. 1 is a perspective view of a vehicle-wheel front face
according to my new design;

FIG. 2 is a front elevational view thereof; and,

FIG. 3 is a side elevational view thereof.

The broken line showing of the rear of the rim is included for
the purpose of illustrating environment and forms no part of
the claimed design.

1 Claim, 3 Drawing Sheets

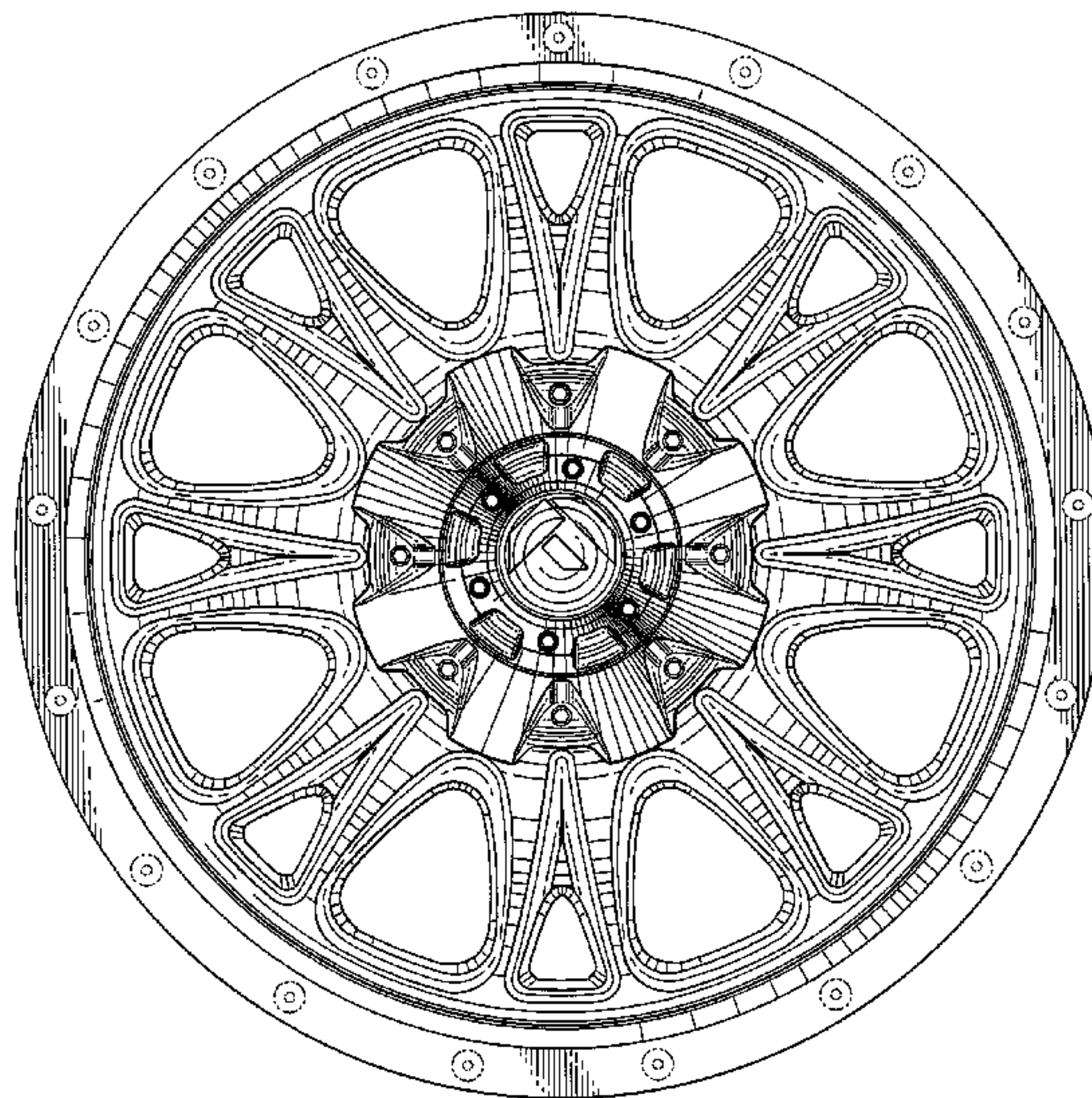
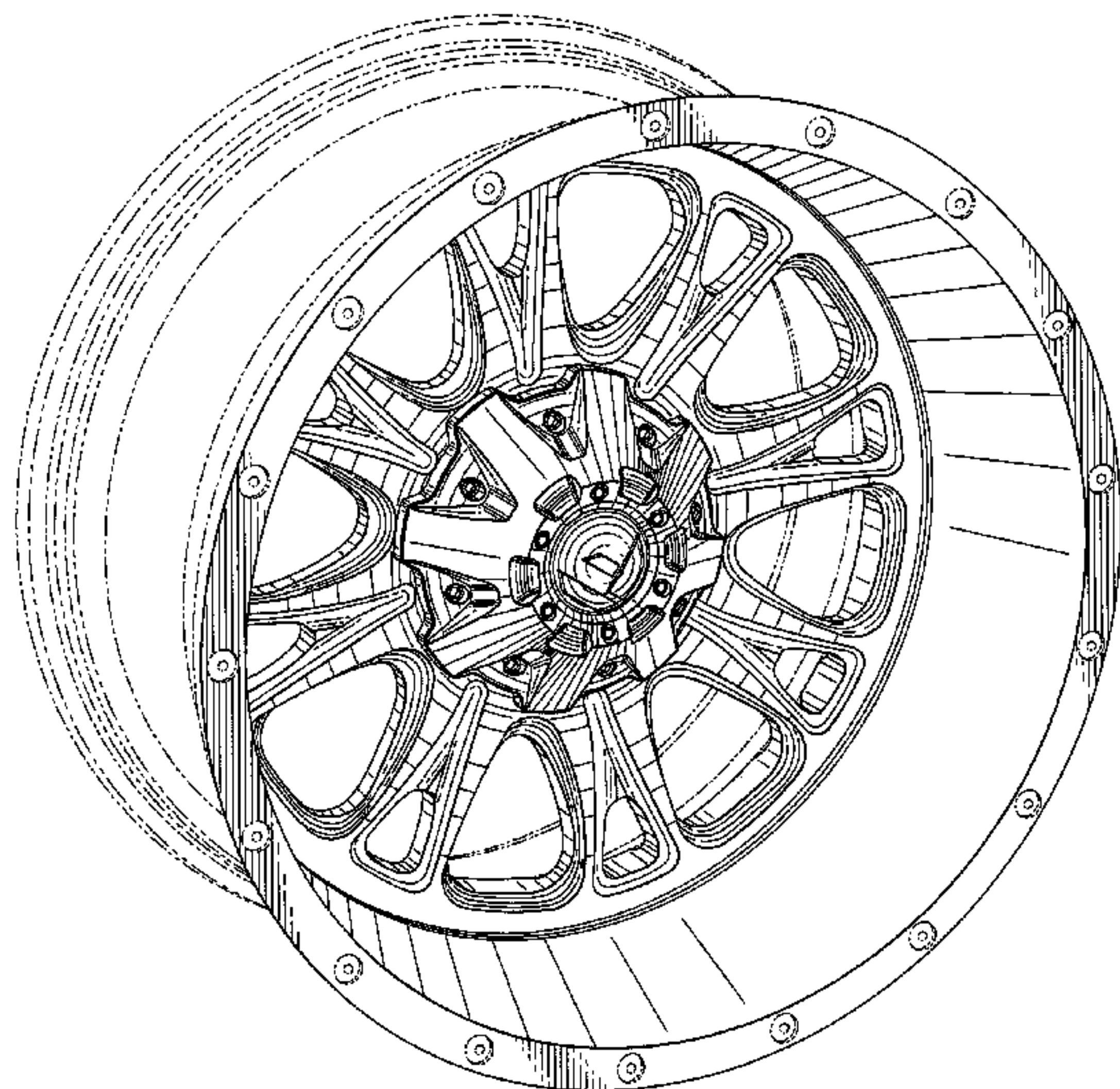


FIG. 1

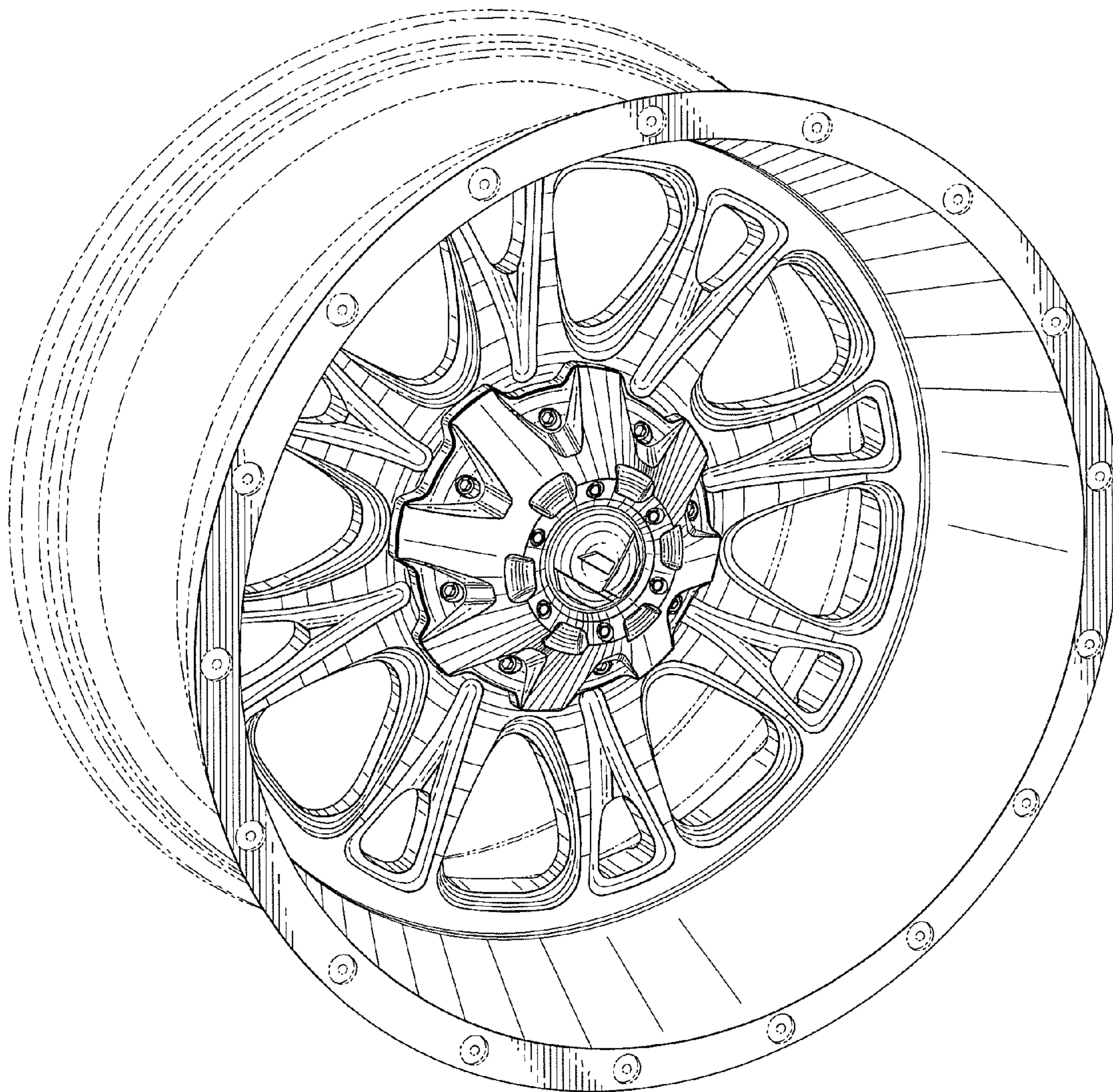


FIG. 2

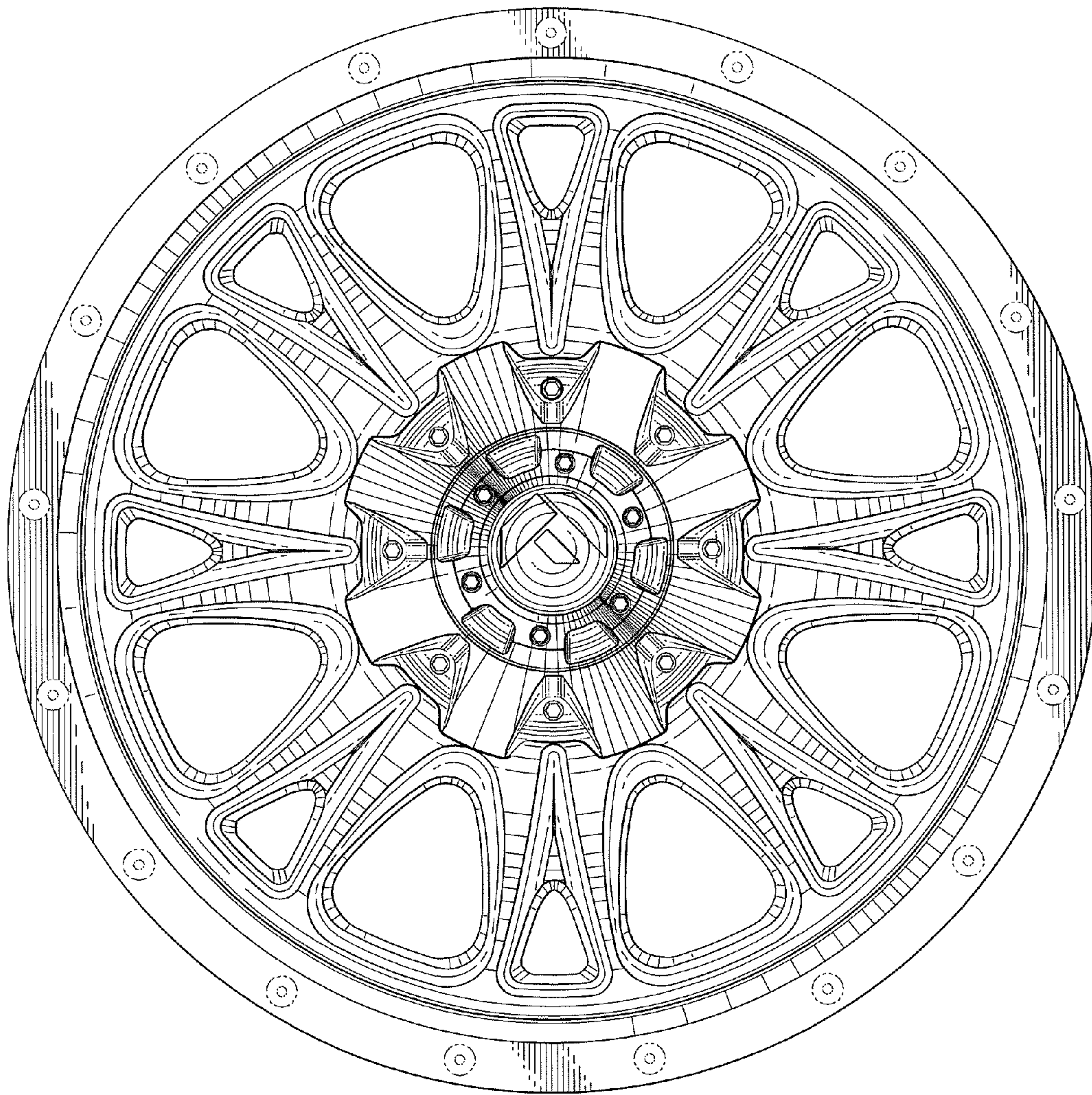


FIG. 3

