



US00D649106S

(12) **United States Design Patent**
Hrabcak et al.

(10) **Patent No.:** **US D649,106 S**

(45) **Date of Patent:** **** Nov. 22, 2011**

(54) **WHEEL OR WHEEL COVER**

(75) Inventors: **Marian Hrabcak**, Affalterbach (DE);
Daniel Krisch, Affalterbach (DE)

(73) Assignee: **Daimler AG**, Stuttgart (DE)

(**) Term: **14 Years**

(21) Appl. No.: **29/371,518**

(22) Filed: **Mar. 31, 2011**

(30) **Foreign Application Priority Data**

Oct. 1, 2010 (EM) 001762436-0007

(51) **LOC (9) Cl.** **12-16**

(52) **U.S. Cl.** **D12/211**

(58) **Field of Classification Search** D12/204-213;
301/37.101, 64.101, 65, 64.201
See application file for complete search history.

(56) **References Cited**

U.S. PATENT DOCUMENTS

D504,098 S * 4/2005 Gallert D12/209
D542,211 S * 5/2007 Hieke D12/211
D542,726 S * 5/2007 Hieke D12/209

D553,550 S * 10/2007 Tirado D12/211
D569,776 S * 5/2008 Hieke D12/211
D578,949 S * 10/2008 Hieke D12/211
D582,328 S * 12/2008 Hieke D12/209
D604,221 S * 11/2009 Krisch D12/211
D618,150 S * 6/2010 Hilpert D12/209
D628,137 S * 11/2010 Groom D12/211

* cited by examiner

Primary Examiner — Stacia Cadmus

(74) *Attorney, Agent, or Firm* — Crowell & Moring LLP

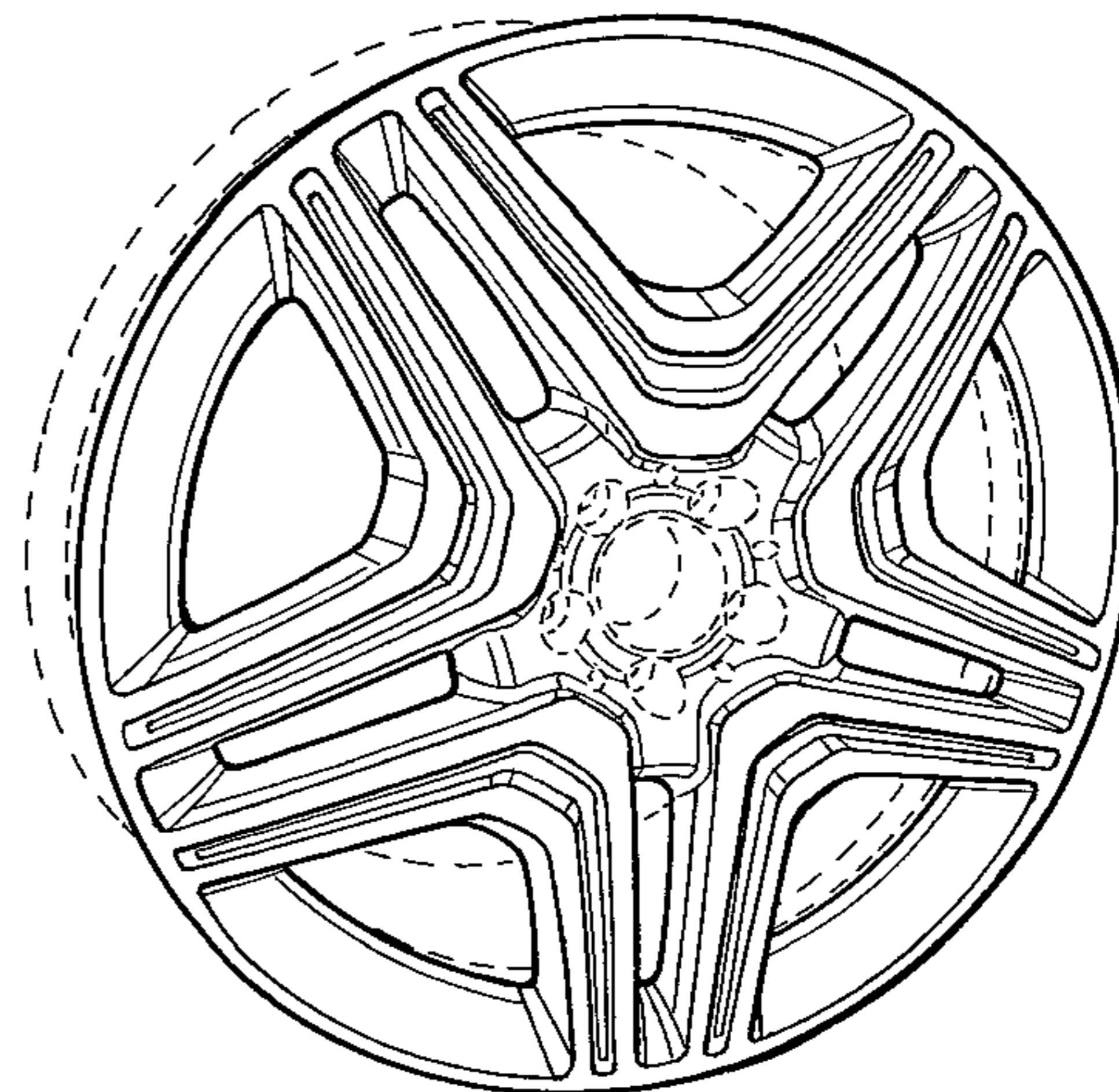
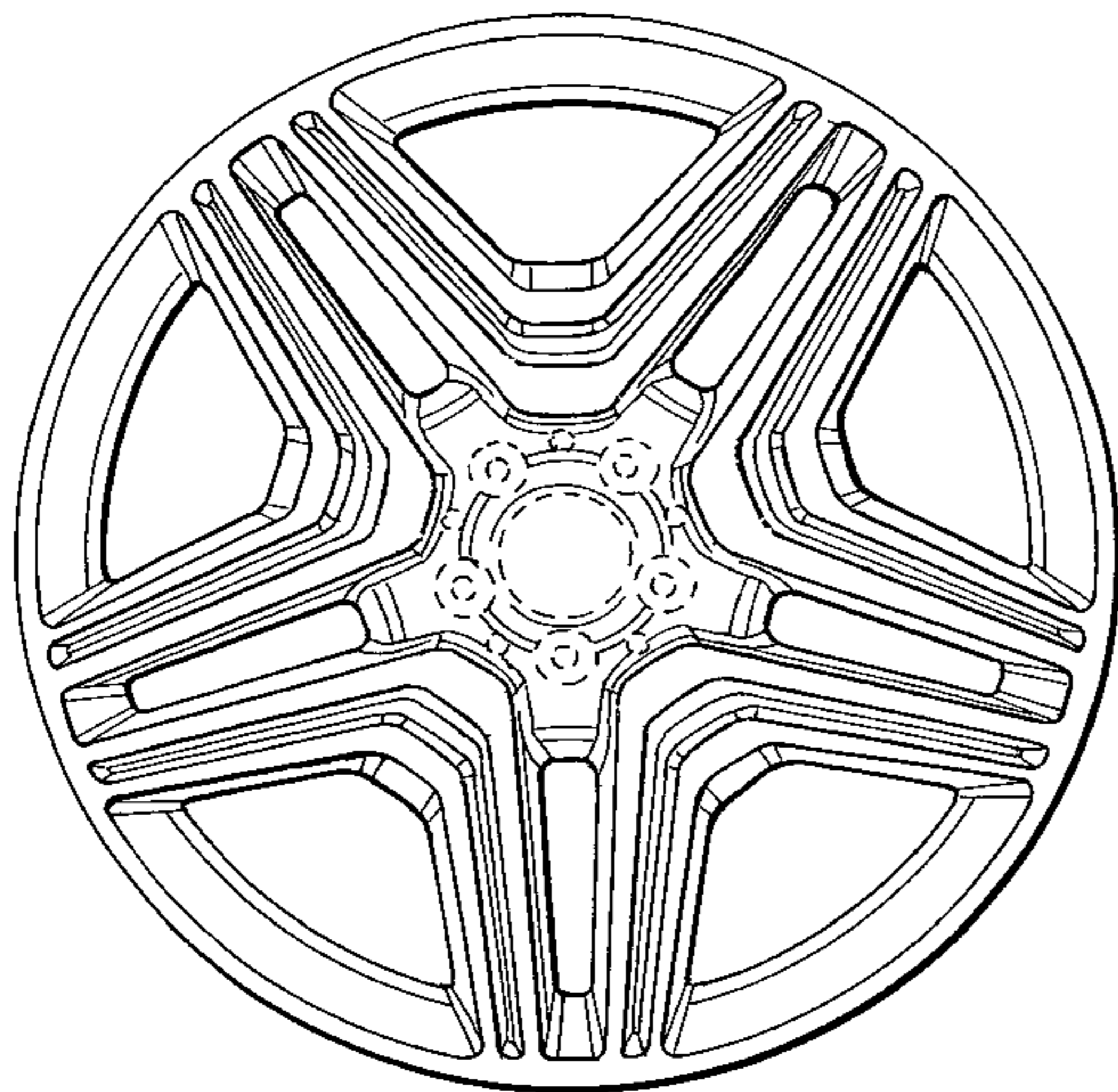
(57) **CLAIM**

The ornamental design for a wheel or wheel cover, as shown and described.

DESCRIPTION

FIG. 1 is a front view of a wheel or wheel cover according to our design; and,
FIG. 2 is a perspective view thereof.
The broken line showing of the rear of the wheel, and the bolt holes and the center hole in the central hub area is included for the purpose of illustrating environment and forms no part of the claimed design.

1 Claim, 1 Drawing Sheet



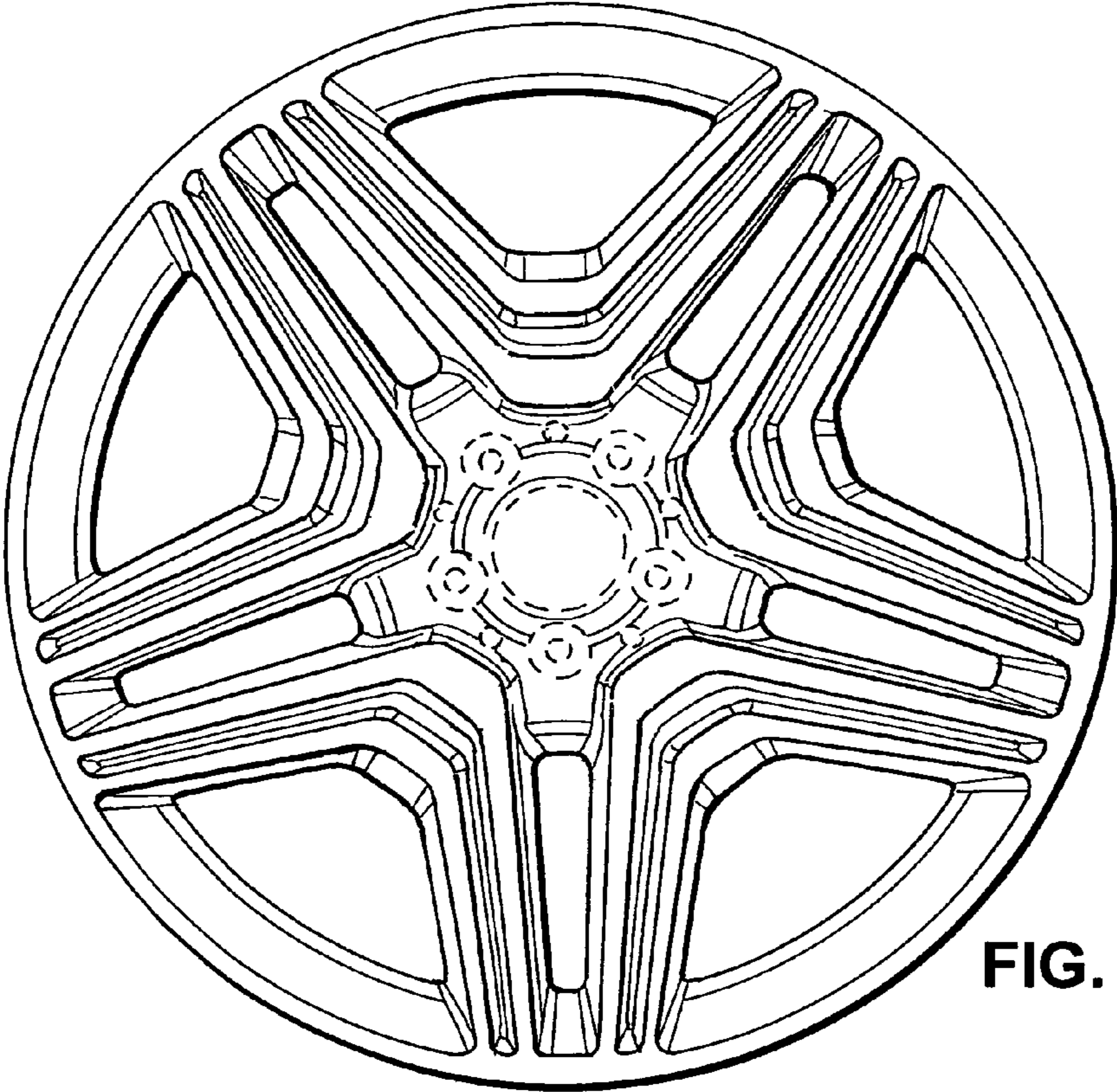


FIG. 1

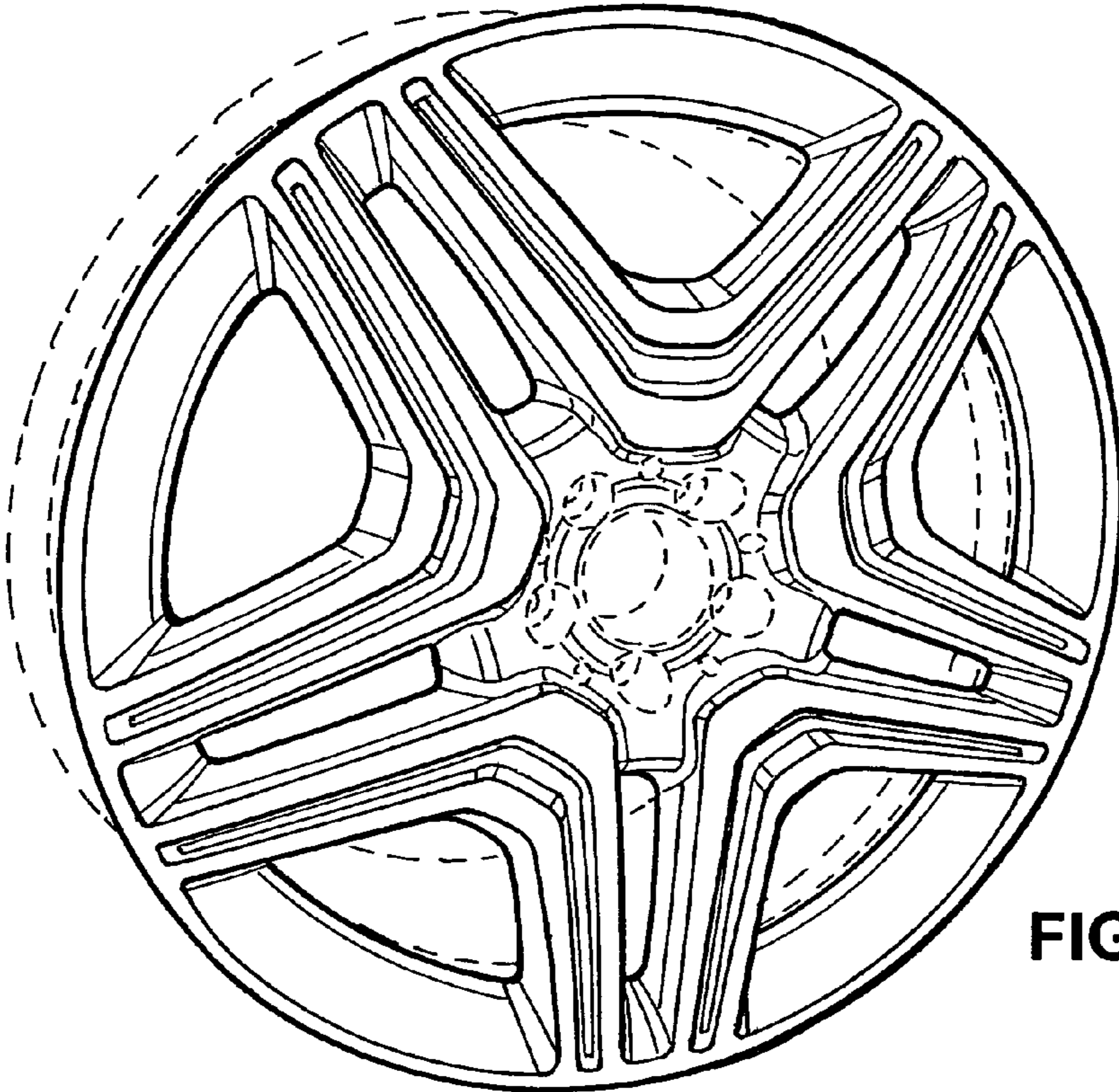


FIG. 2