



US00D649105S

(12) **United States Design Patent**
Hilpert et al.

(10) **Patent No.:** **US D649,105 S**

(45) **Date of Patent:** **** Nov. 22, 2011**

(54) **WHEEL OR WHEEL COVER**

(75) Inventors: **Kai Hilpert**, Affalterbach (DE); **Oliver Knittel**, Affalterbach (DE)

(73) Assignee: **Daimler AG**, Stuttgart (DE)

(**) Term: **14 Years**

(21) Appl. No.: **29/371,516**

(22) Filed: **Mar. 31, 2011**

(30) **Foreign Application Priority Data**

Oct. 1, 2010 (EM) 001762436-0003

(51) **LOC (9) Cl.** **12-16**

(52) **U.S. Cl.** **D12/211**

(58) **Field of Classification Search** D12/204-213;
301/37.101, 64.101, 65, 64.201

See application file for complete search history.

(56) **References Cited**

U.S. PATENT DOCUMENTS

- D383,429 S * 9/1997 Muzzarelli et al. D12/211
- D470,093 S * 2/2003 Frizzi D12/209
- D504,860 S * 5/2005 Kushartanto D12/211
- D505,371 S * 5/2005 Hueller D12/209

- D522,946 S * 6/2006 Hieke D12/209
- D550,140 S * 9/2007 Laengerer D12/211
- D555,568 S * 11/2007 Hetrick D12/211
- D574,310 S * 8/2008 Huet D12/209
- D578,949 S * 10/2008 Hieke D12/211
- D596,100 S * 7/2009 Aroney D12/211
- D604,222 S * 11/2009 Krisch D12/211
- D622,203 S * 8/2010 Tirado D12/211
- D630,991 S * 1/2011 Zhao D12/211
- D639,717 S * 6/2011 Chung D12/211

* cited by examiner

Primary Examiner — Stacia Cadmus

(74) *Attorney, Agent, or Firm* — Crowell & Moring LLP

(57) **CLAIM**

The ornamental design for a wheel or wheel cover, as shown and described.

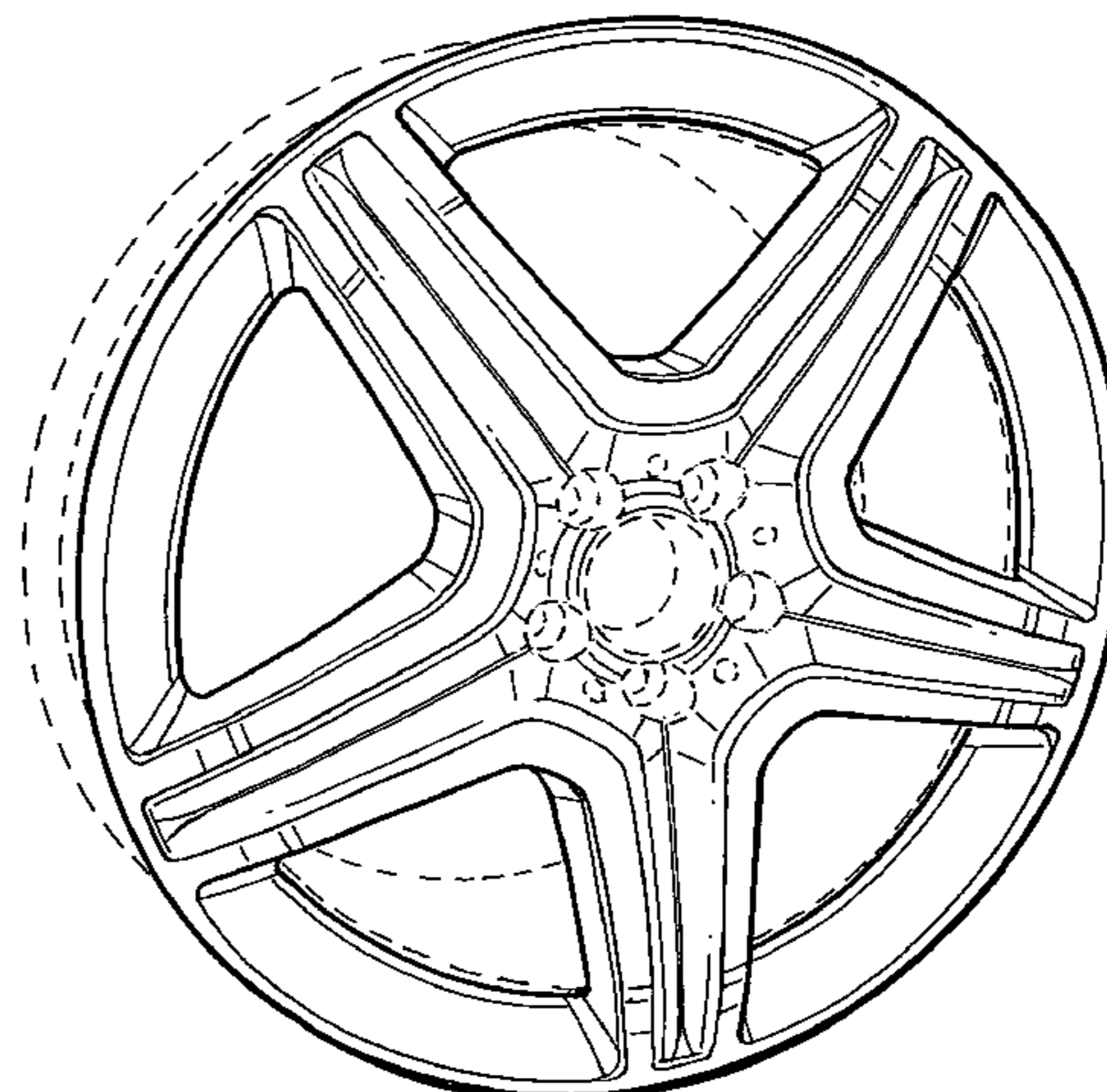
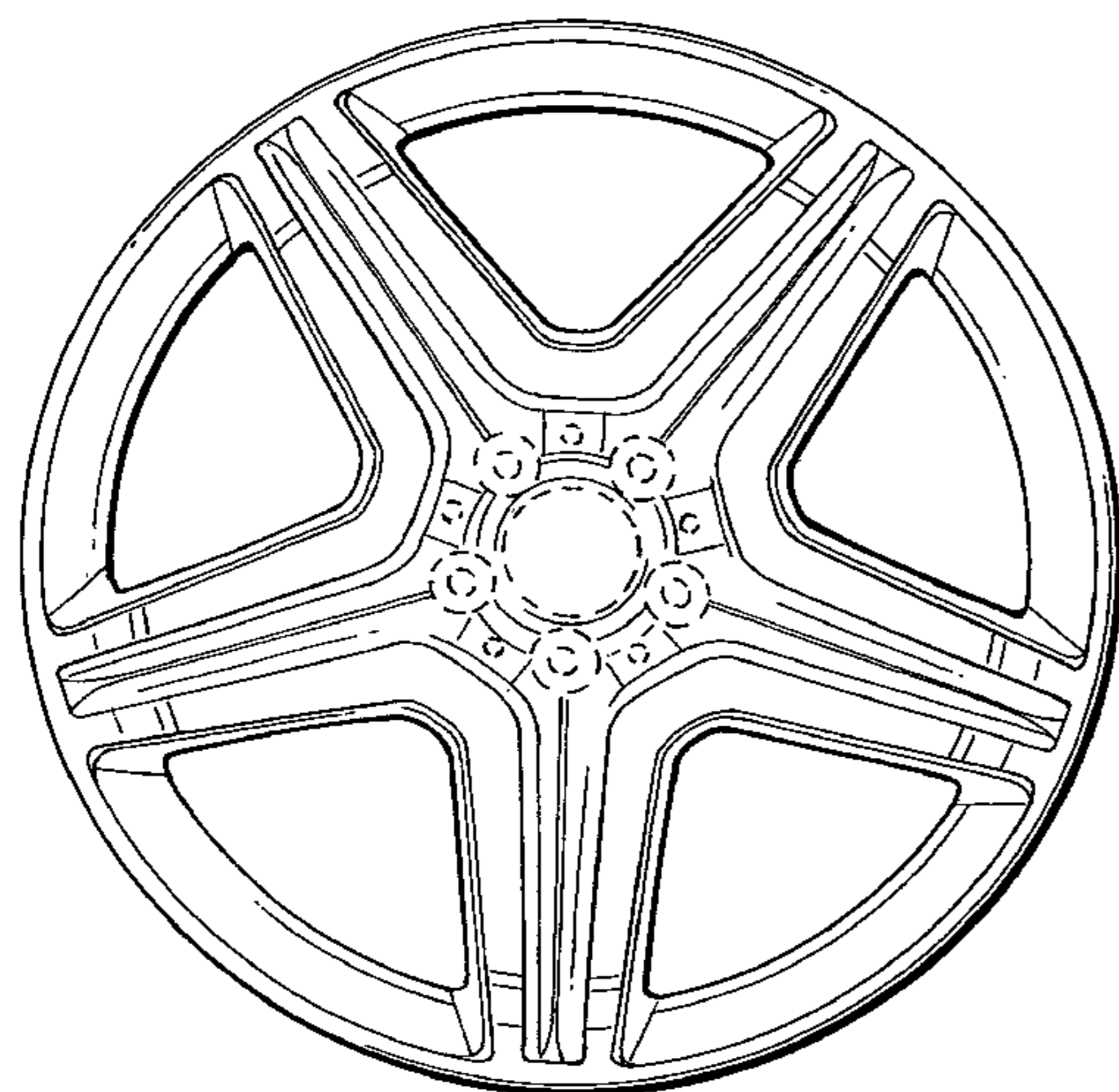
DESCRIPTION

FIG. 1 is a front view of a wheel or wheel cover according to our design; and,

FIG. 2 is a perspective view thereof.

The broken line showing of the rear of the wheel, and the bolt holes and the center hole in the central hub area is included for the purpose of illustrating environment and forms no part of the claimed design.

1 Claim, 1 Drawing Sheet



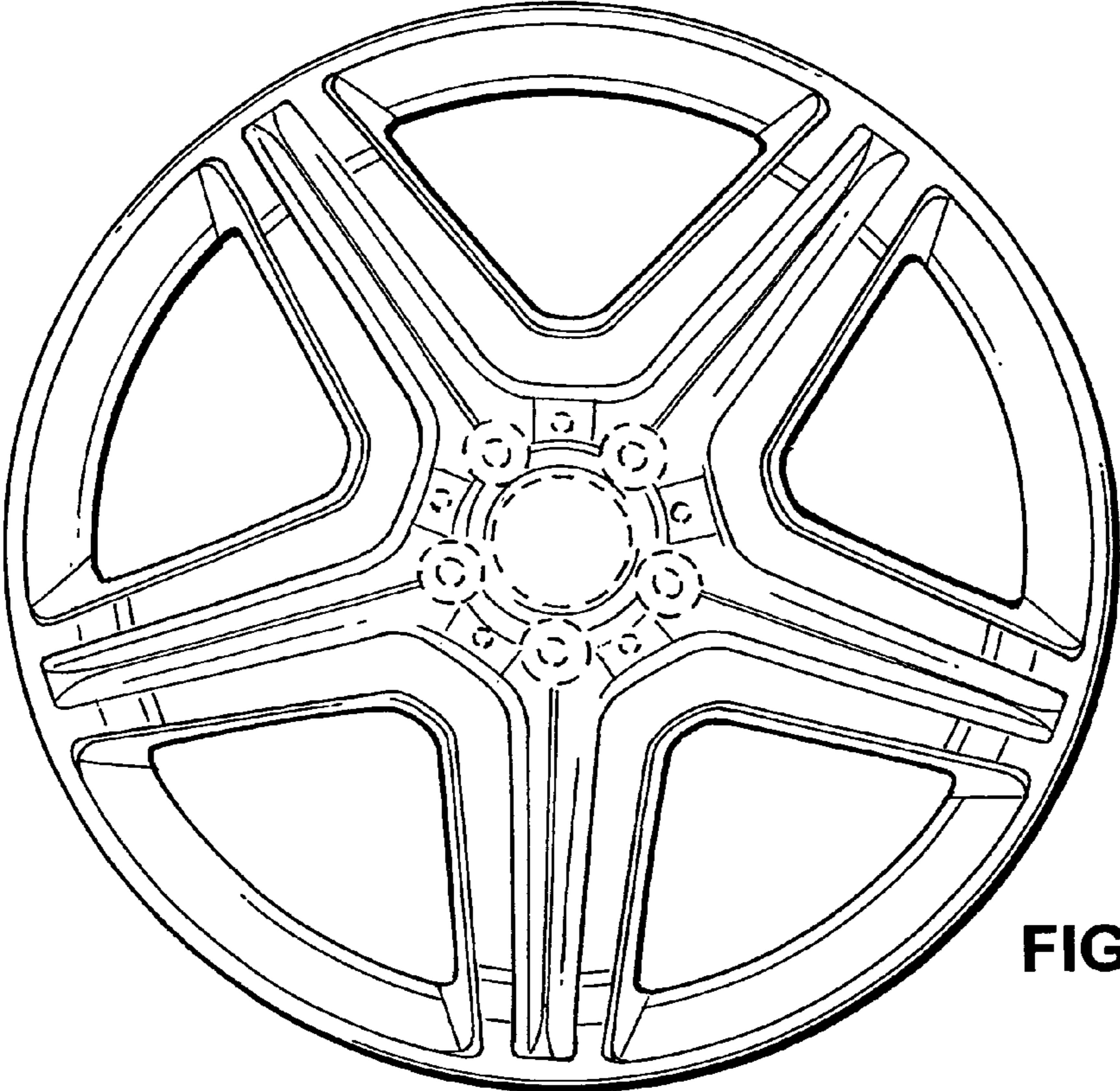


FIG. 1

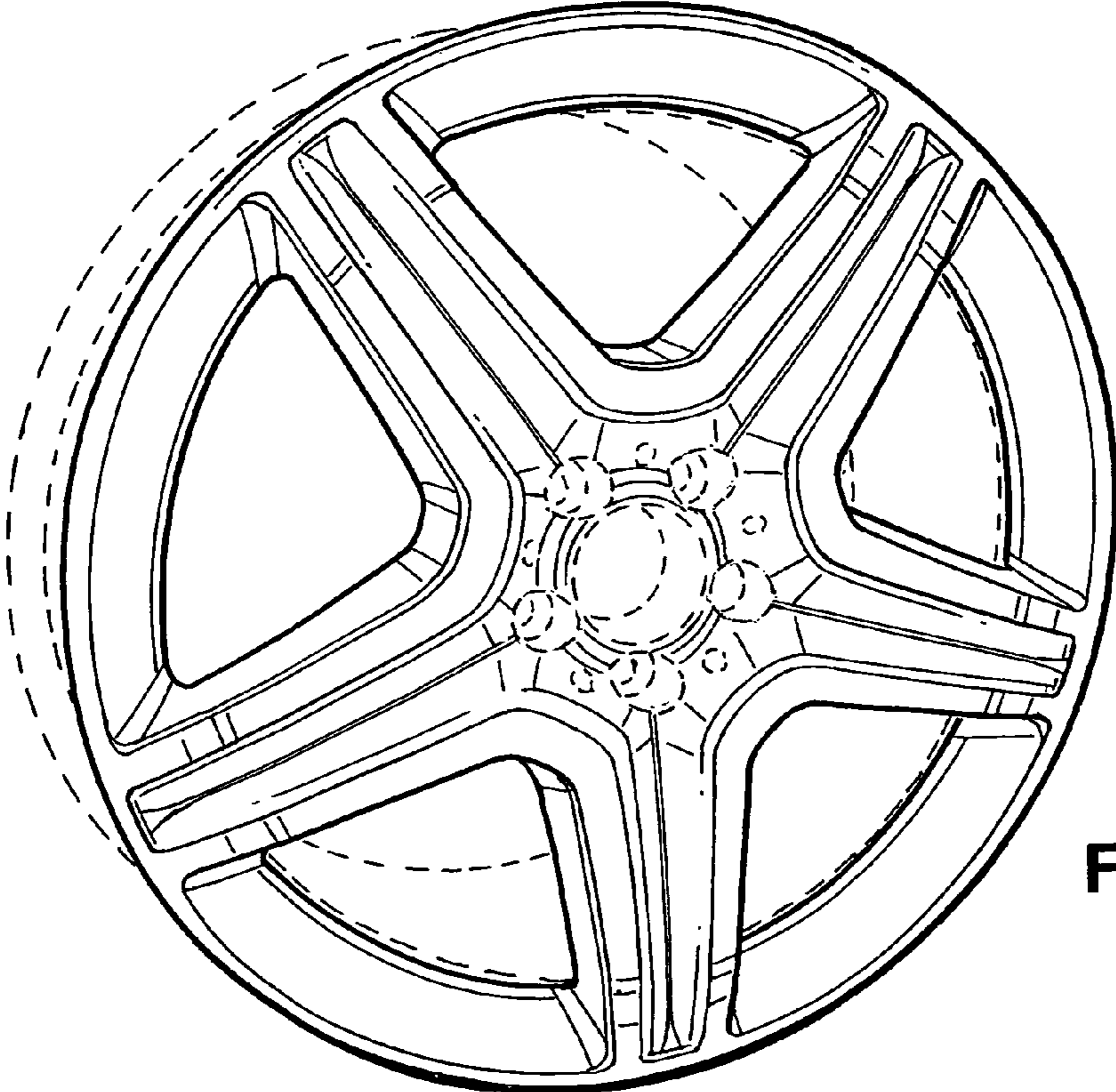


FIG. 2