



US00D649091S

(12) **United States Design Patent**  
**Lai et al.**

(10) **Patent No.:** **US D649,091 S**

(45) **Date of Patent:** **\*\* Nov. 22, 2011**

(54) **MOTORCYCLE**

(75) Inventors: **Guogui Lai**, Hangzhou (CN); **Yongzhou Zhou**, Hangzhou (CN); **Zhangping Yuan**, Hangzhou (CN); **Guohui Wu**, Hangzhou (CN); **Jun Zhao**, Hangzhou (CN)

(73) Assignee: **Zhejiang CFMOTO Power Co., Ltd.**, Hangzhou, Zhejiang Province (CN)

(\*\*) Term: **14 Years**

(21) Appl. No.: **29/358,698**

(22) Filed: **Mar. 31, 2010**

(30) **Foreign Application Priority Data**

Dec. 30, 2009 (CN) ..... 2009 3 0385631

(51) **LOC (9) Cl.** ..... **12-11**

(52) **U.S. Cl.** ..... **D12/110**

(58) **Field of Classification Search** ..... D12/110;  
180/219, 220, 225, 229

See application file for complete search history.

(56) **References Cited**

U.S. PATENT DOCUMENTS

D470,439	S	*	2/2003	Ban et al.	.....	D12/110
D496,309	S	*	9/2004	Fukumoto et al.	.....	D12/110
D582,320	S	*	12/2008	Tanaka et al.	.....	D12/110
D596,082	S	*	7/2009	Ueno et al.	.....	D12/110

\* cited by examiner

*Primary Examiner* — Susan M Lee

*Assistant Examiner* — Linda G. Brooks

(74) *Attorney, Agent, or Firm* — Wolf, Greenfield & Sacks, P.C.

(57) **CLAIM**

The ornamental design for a motorcycle, as shown and described.

**DESCRIPTION**

FIG. 1 is a left side view of the motorcycle;

FIG. 2 is a right side view thereof;

FIG. 3 is a front view thereof;

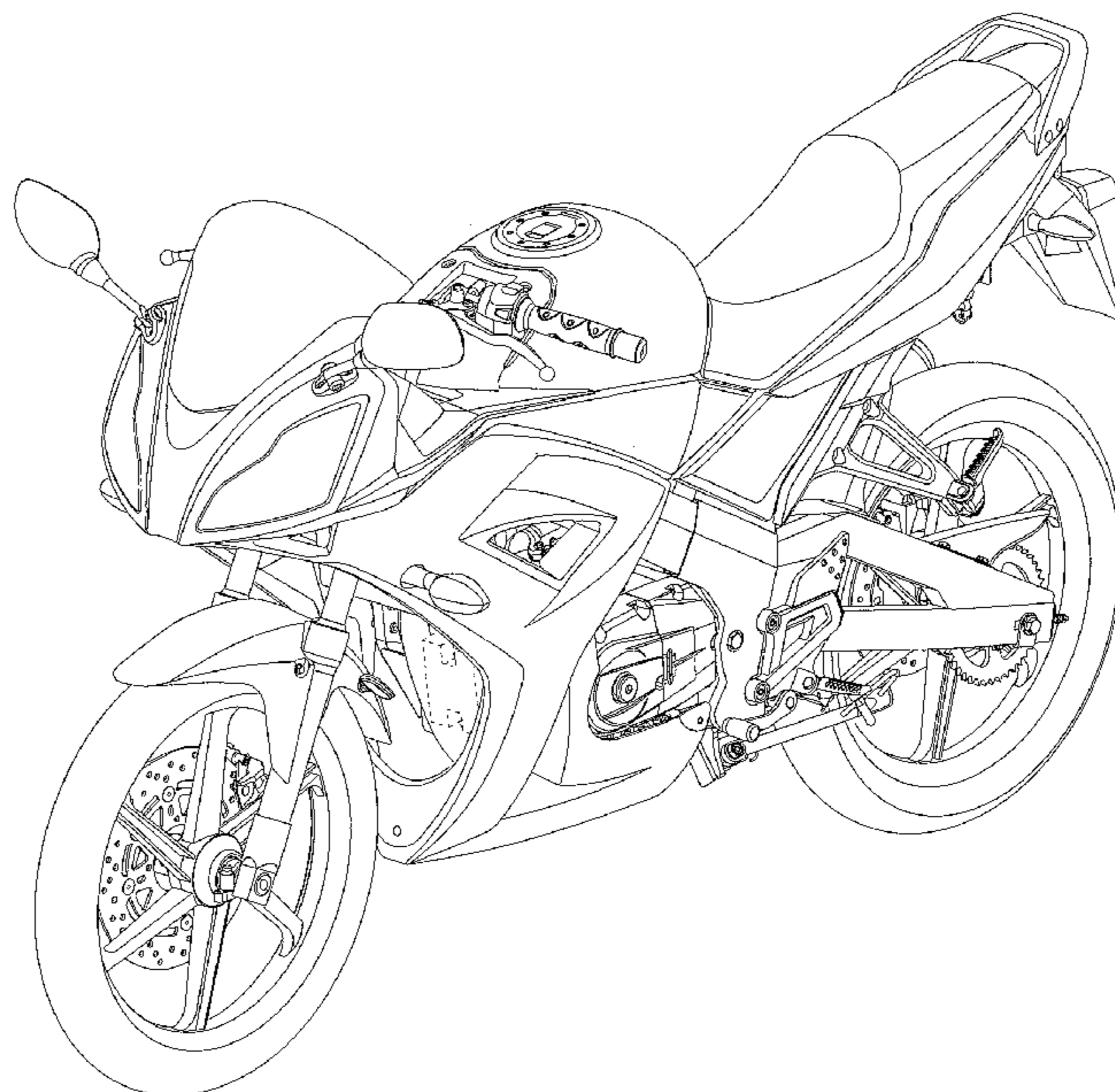
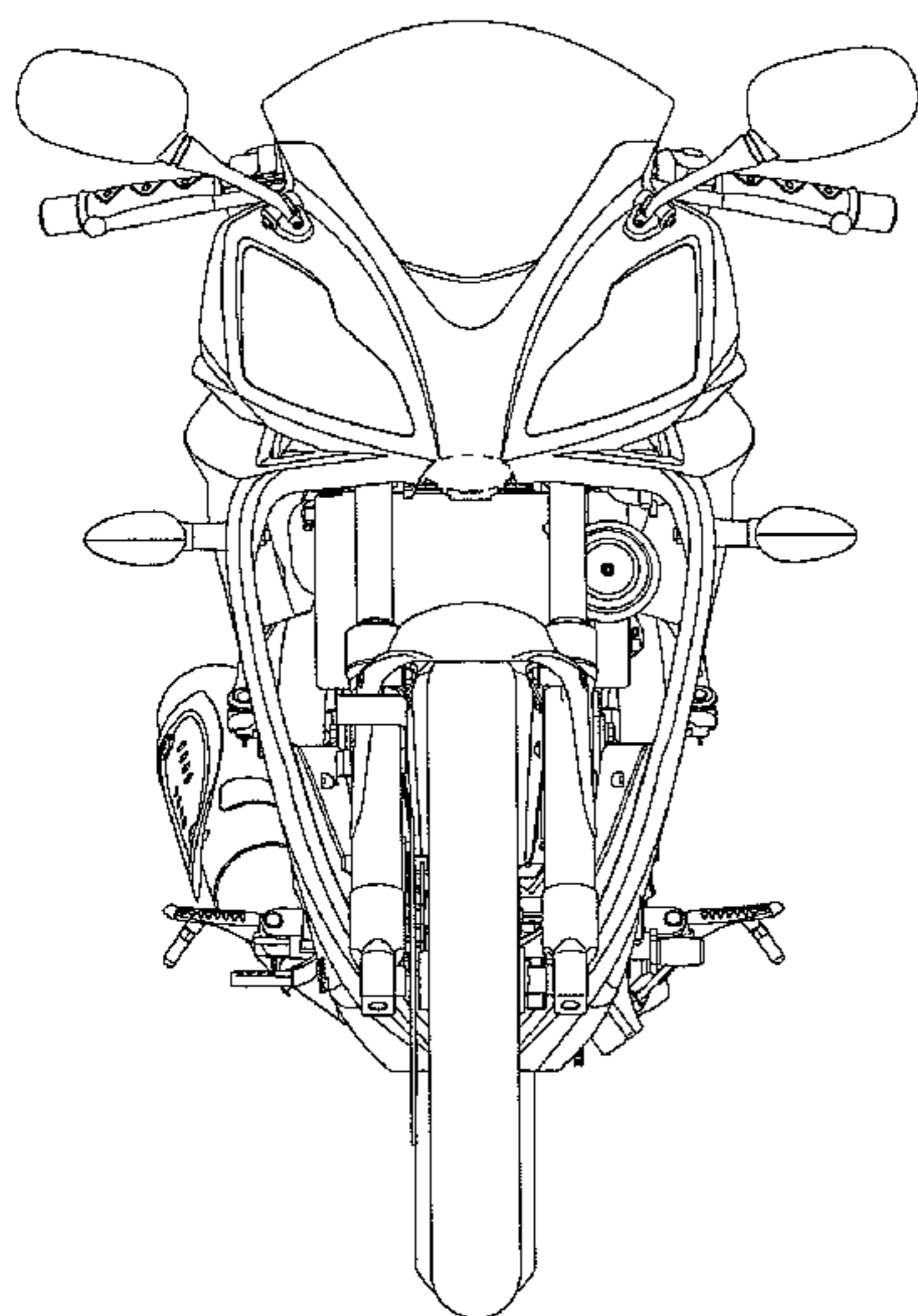
FIG. 4 is a rear view thereof;

FIG. 5 is a top view thereof; and,

FIG. 6 is a perspective view thereof.

The broken lines illustrate portions of the motorcycle that form no part of the claimed design.

**1 Claim, 6 Drawing Sheets**



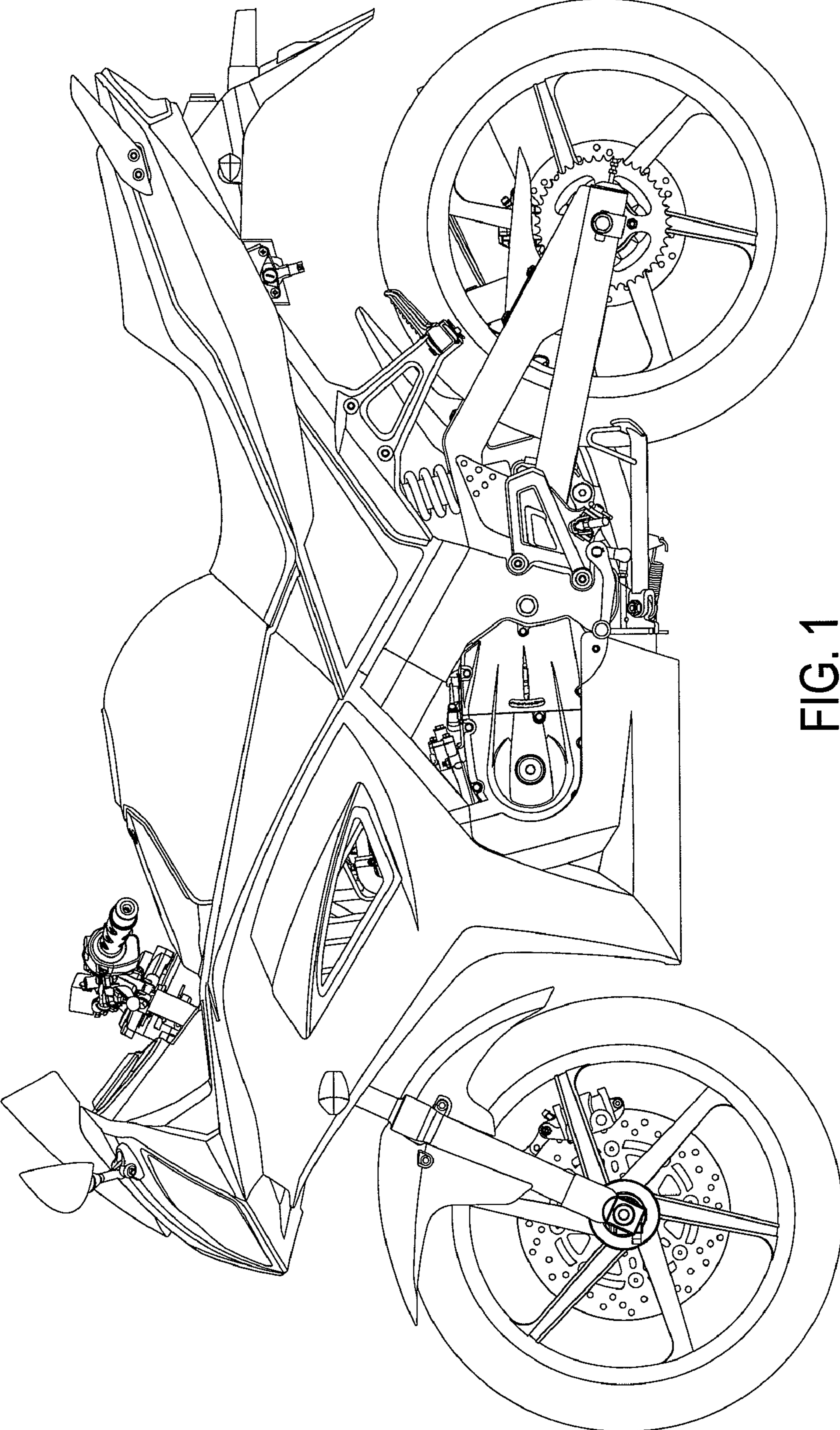


FIG. 1

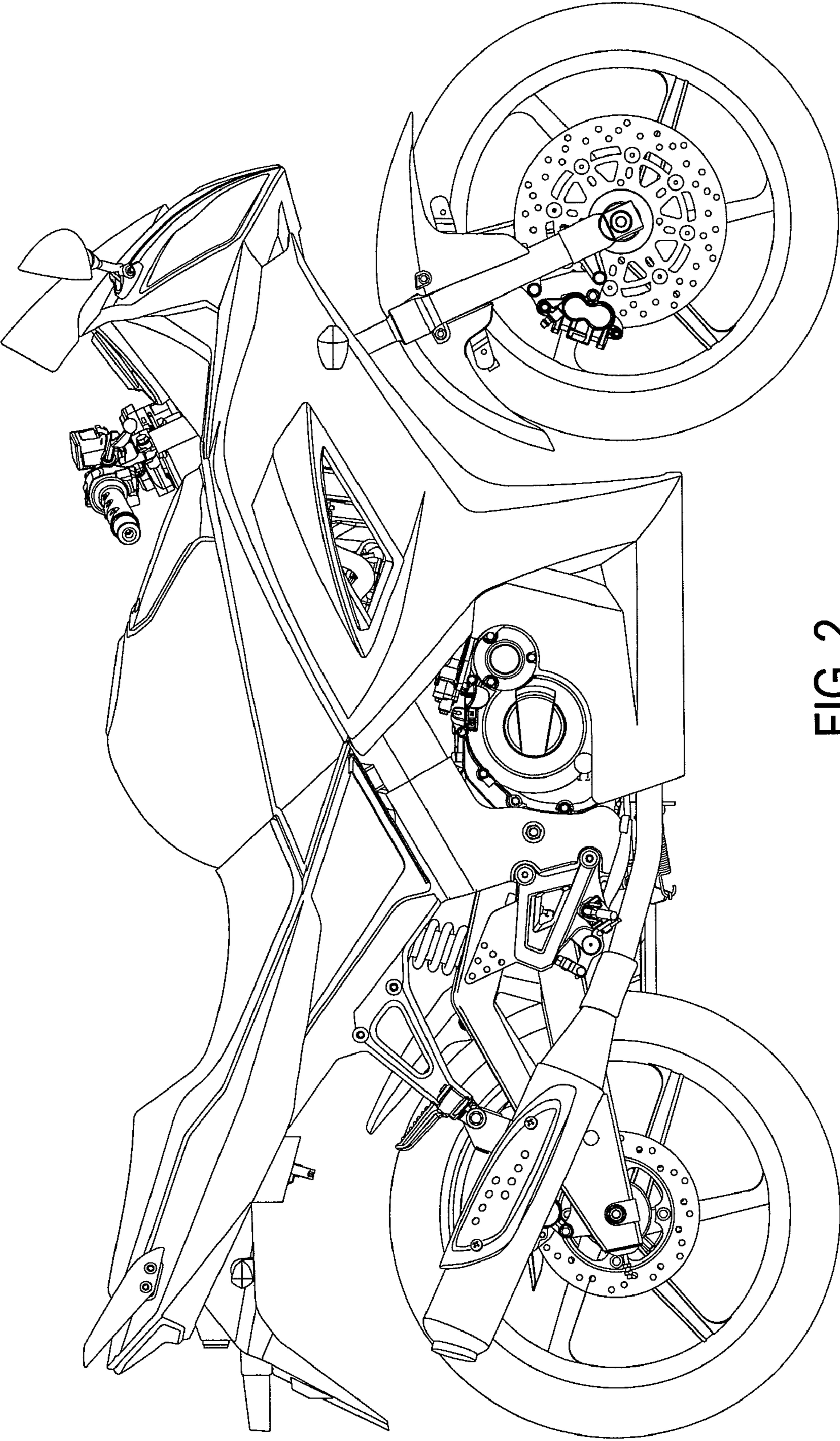


FIG. 2

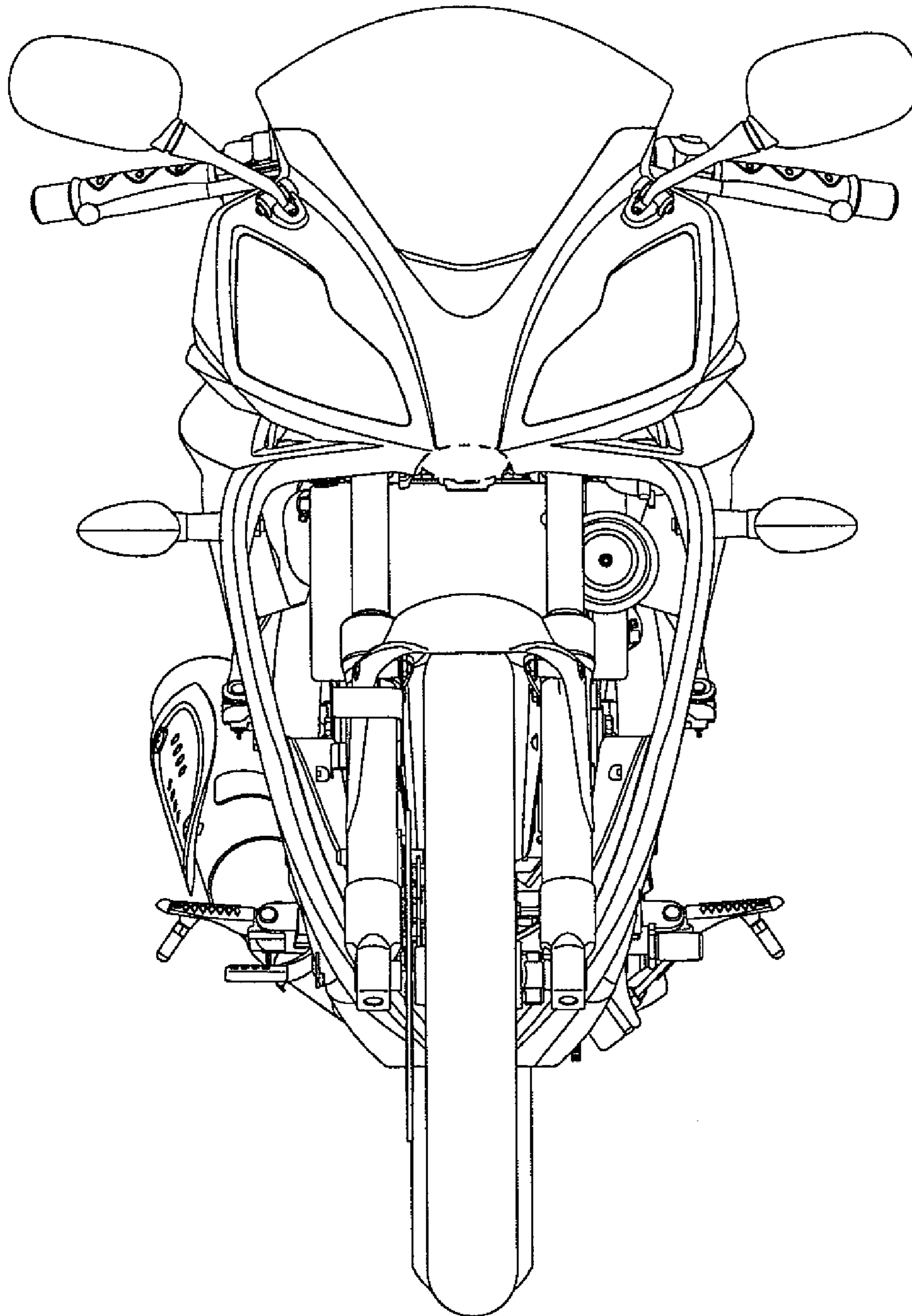


FIG. 3

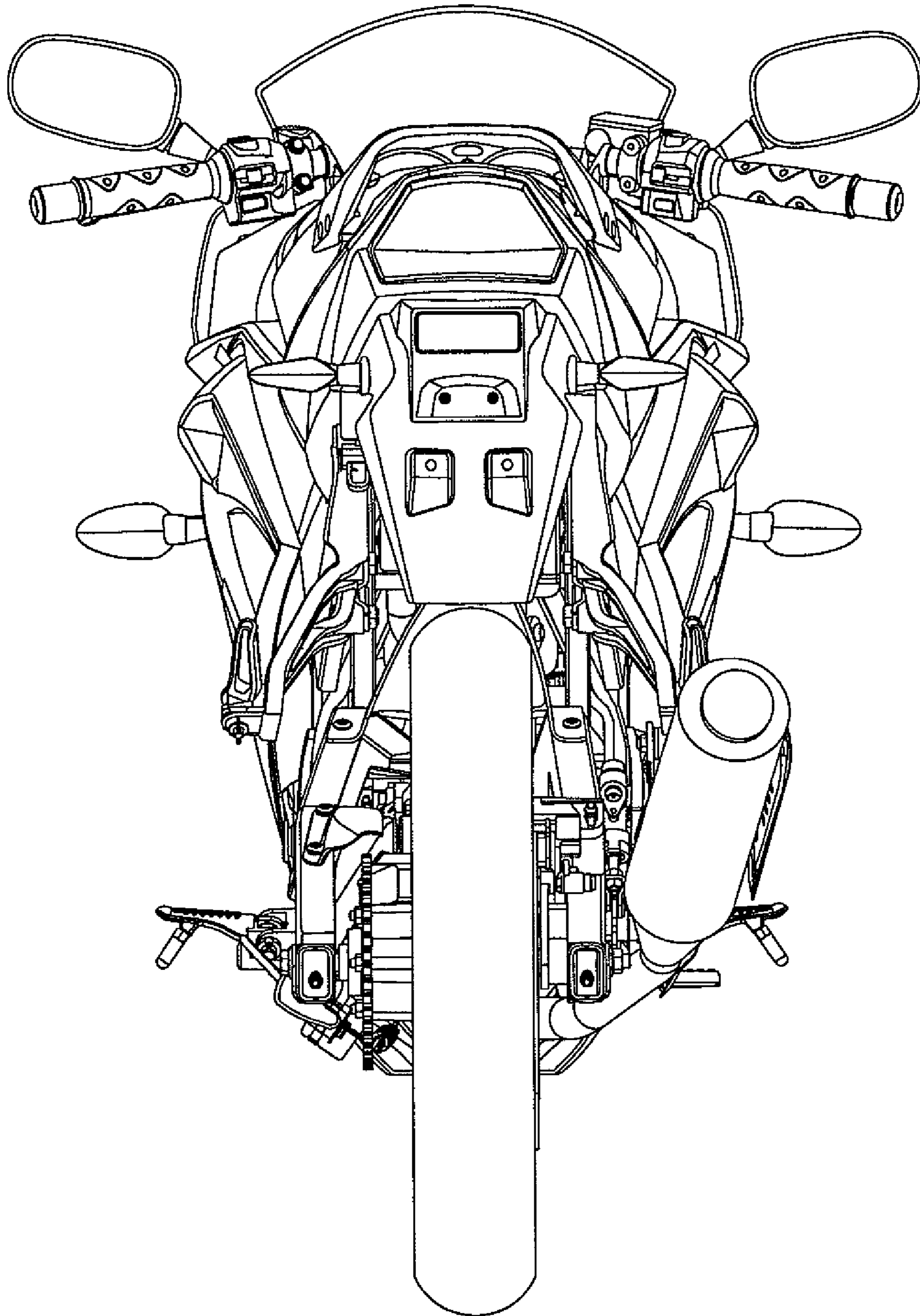


FIG. 4

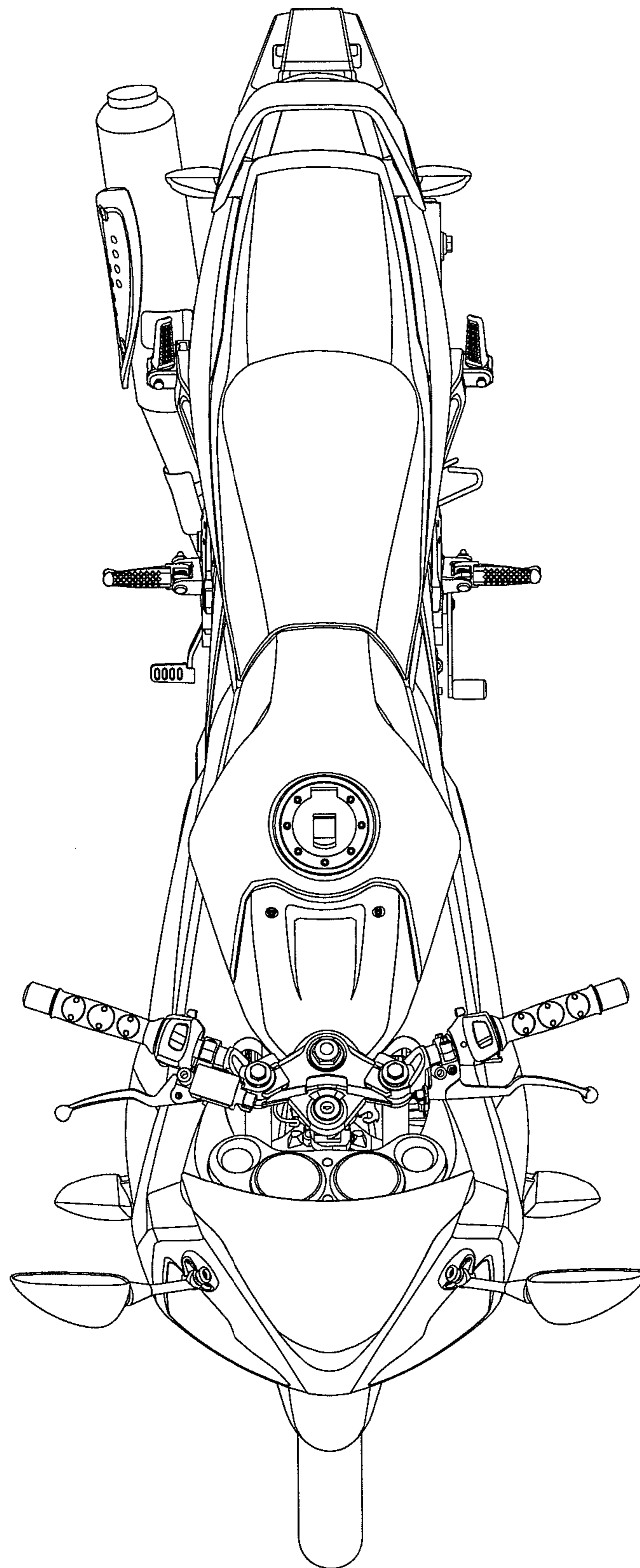


FIG. 5

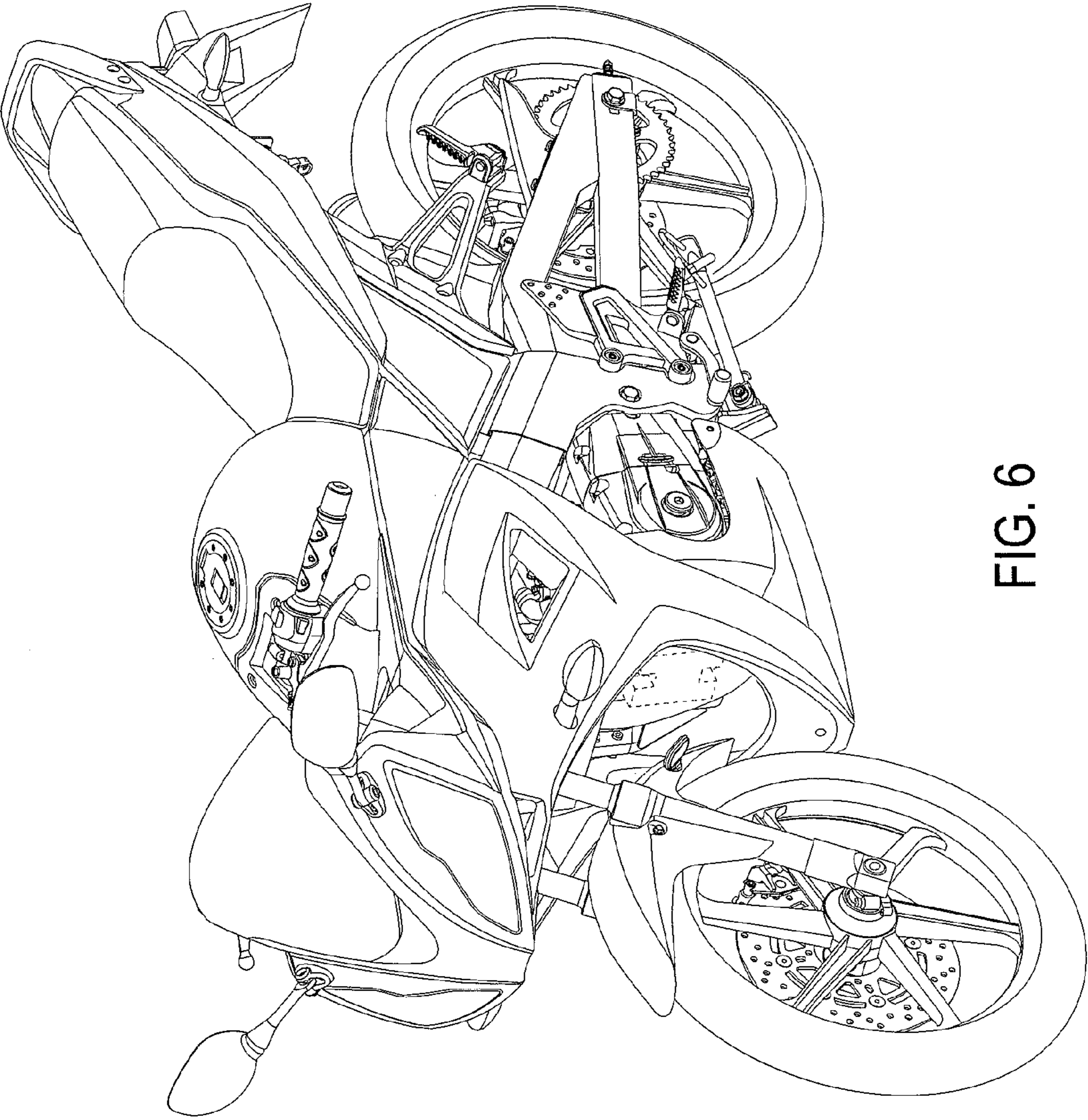


FIG. 6

UNITED STATES PATENT AND TRADEMARK OFFICE  
**CERTIFICATE OF CORRECTION**

PATENT NO. : D649,091 S  
APPLICATION NO. : 29/358698  
DATED : November 22, 2011  
INVENTOR(S) : Guogui Lai et al.

Page 1 of 1

It is certified that error appears in the above-identified patent and that said Letters Patent is hereby corrected as shown below:

On the title page, item 75 should read:

(75) Inventors: Guogui Lai, Hangzhou (CN);  
Yongzhou Zhao, Hangzhou (CN);  
Zhangping Yuan, Hangzhou (CN);  
Guohui Wu, Hangzhou (CN);  
Jun Zhao, Hangzhou (CN)

Signed and Sealed this  
Thirteenth Day of March, 2012

A handwritten signature in black ink that reads "David J. Kappos". The signature is written in a cursive style with a large initial "D" and "K".

David J. Kappos  
*Director of the United States Patent and Trademark Office*