



US00D649088S

(12) **United States Design Patent**
Hu et al.

(10) **Patent No.:** **US D649,088 S**

(45) **Date of Patent:** **** Nov. 22, 2011**

(54) **VEHICLE BODY**

(75) Inventors: **Jirong Hu**, Yongkang (CN); **Huaili Zhou**, Shanghai (CN); **Tingting Hu**, Yongkang (CN)

(73) Assignee: **Xingyue Group Co., Ltd.** (CN)

(**) Term: **14 Years**

(21) Appl. No.: **29/387,672**

(22) Filed: **Mar. 16, 2011**

(51) **LOC (9) Cl.** **12-08**

(52) **U.S. Cl.** **D12/87**

(58) **Field of Classification Search** D12/86,
D12/87, 1; D21/424, 433; 296/181.1, 181.5
See application file for complete search history.

(56) **References Cited**

U.S. PATENT DOCUMENTS

D441,690 S	*	5/2001	Carr et al.	D12/87
D467,200 S	*	12/2002	Luo et al.	D12/87
D497,324 S	*	10/2004	Chestnut et al.	D12/87
D503,658 S	*	4/2005	Lu	D12/87
D513,395 S		1/2006	Pizzuti et al.		
D535,215 S	*	1/2007	Turner et al.	D12/87
D549,133 S	*	8/2007	LePage	D12/87
D555,036 S	*	11/2007	Eck	D12/87
D563,274 S	*	3/2008	Ramos	D12/87

D606,900 S	*	12/2009	Flores	D12/87
D622,631 S	*	8/2010	Lai et al.	D12/87
D625,662 S	*	10/2010	Li	D12/87
D641,288 S	*	7/2011	Sun	D12/87

FOREIGN PATENT DOCUMENTS

CN 300790428 6/2008

* cited by examiner

Primary Examiner — Melody N Brown

(74) *Attorney, Agent, or Firm* — McAndrews, Held & Malloy, Ltd.

(57) **CLAIM**

The ornamental design for a vehicle body, as shown and described.

DESCRIPTION

FIG. 1 is a front perspective view of our new design for a vehicle body;

FIG. 2 is a front elevation view thereof;

FIG. 3 is a rear elevation view thereof;

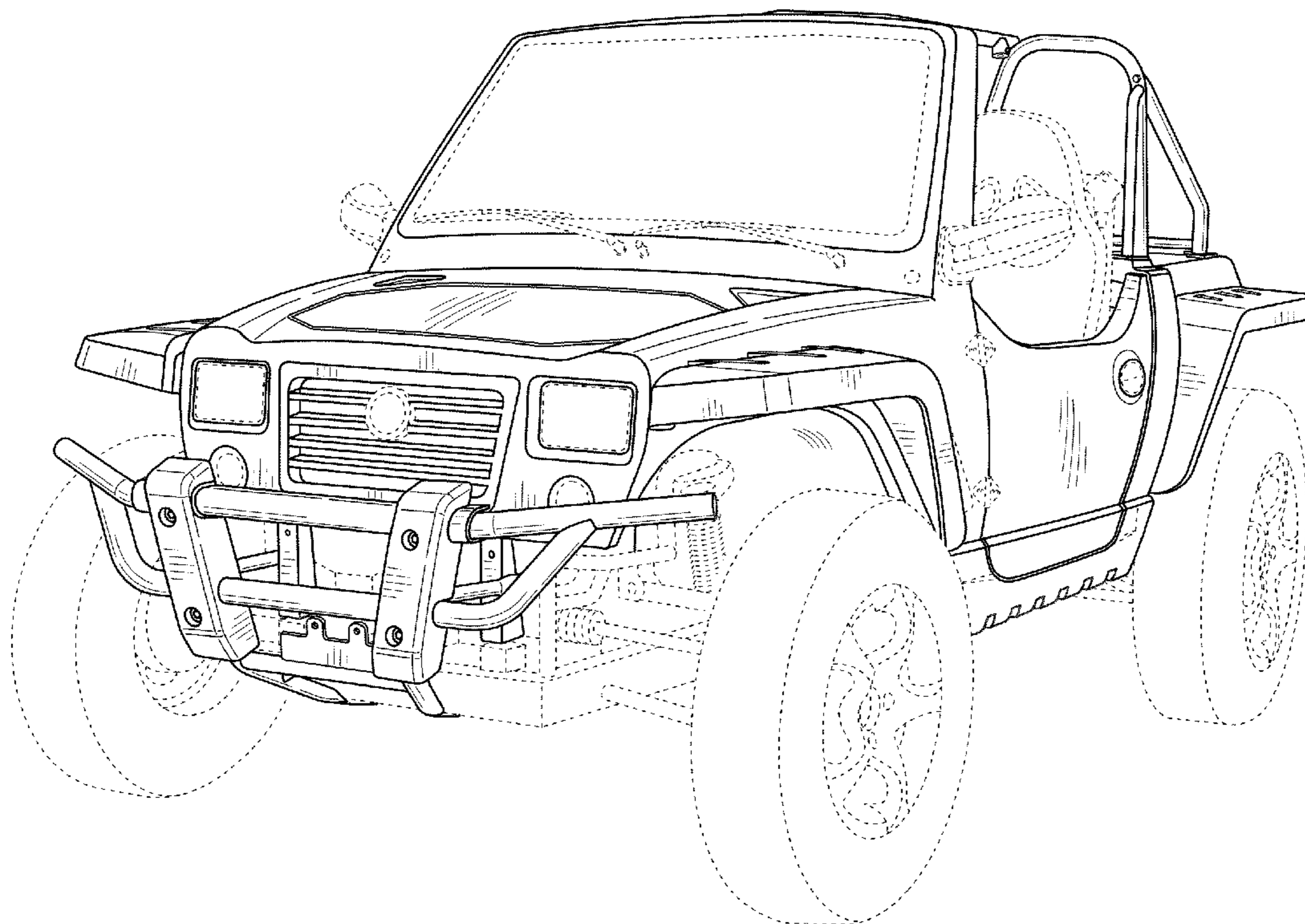
FIG. 4 is a right-side elevation view thereof;

FIG. 5 is a left-side elevation view thereof; and,

FIG. 6 is top plan view thereof.

The broken lines in the drawings are included for the purpose of illustrating environmental subject matter and form no part of the claimed design.

1 Claim, 6 Drawing Sheets



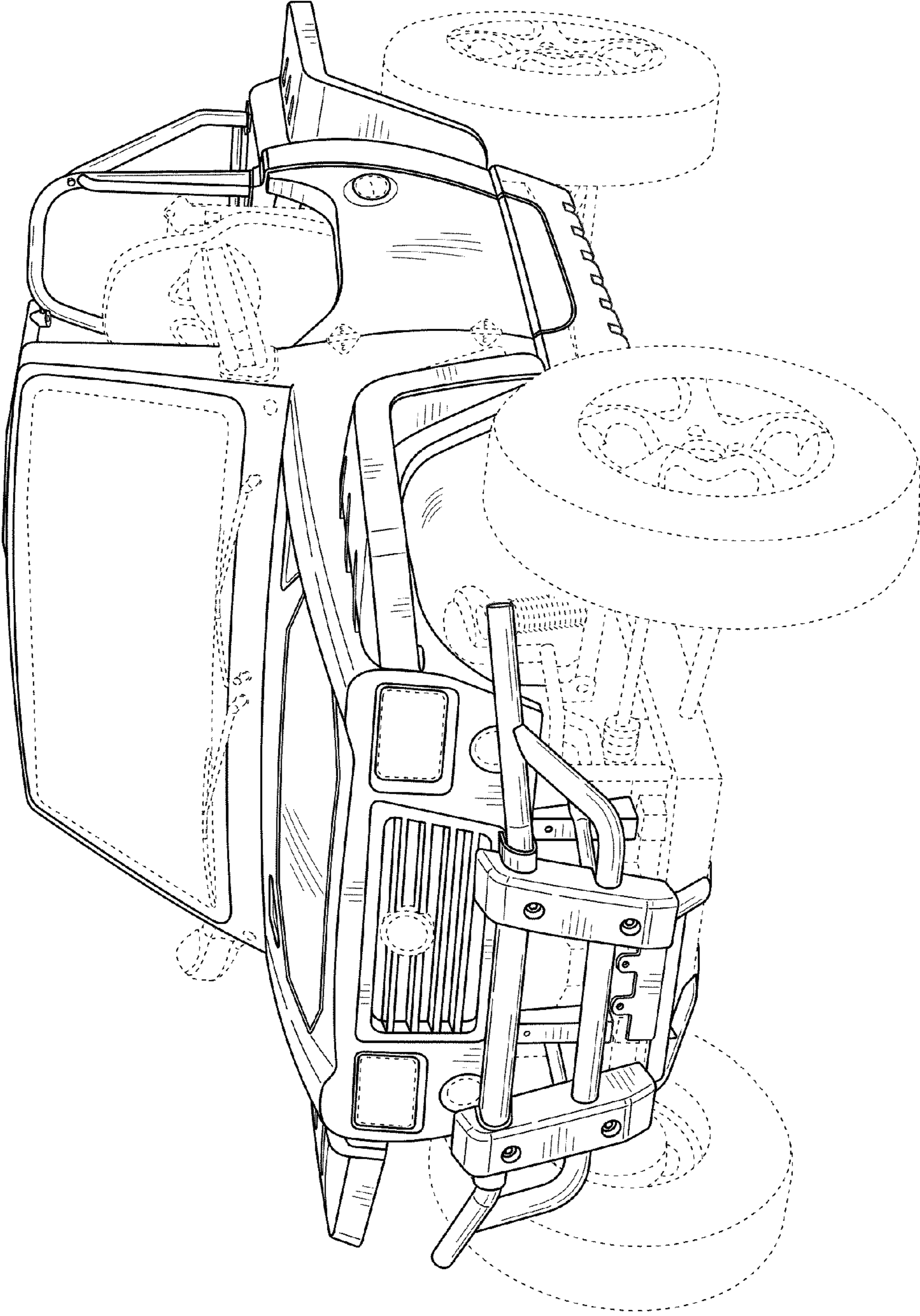


FIG. 1

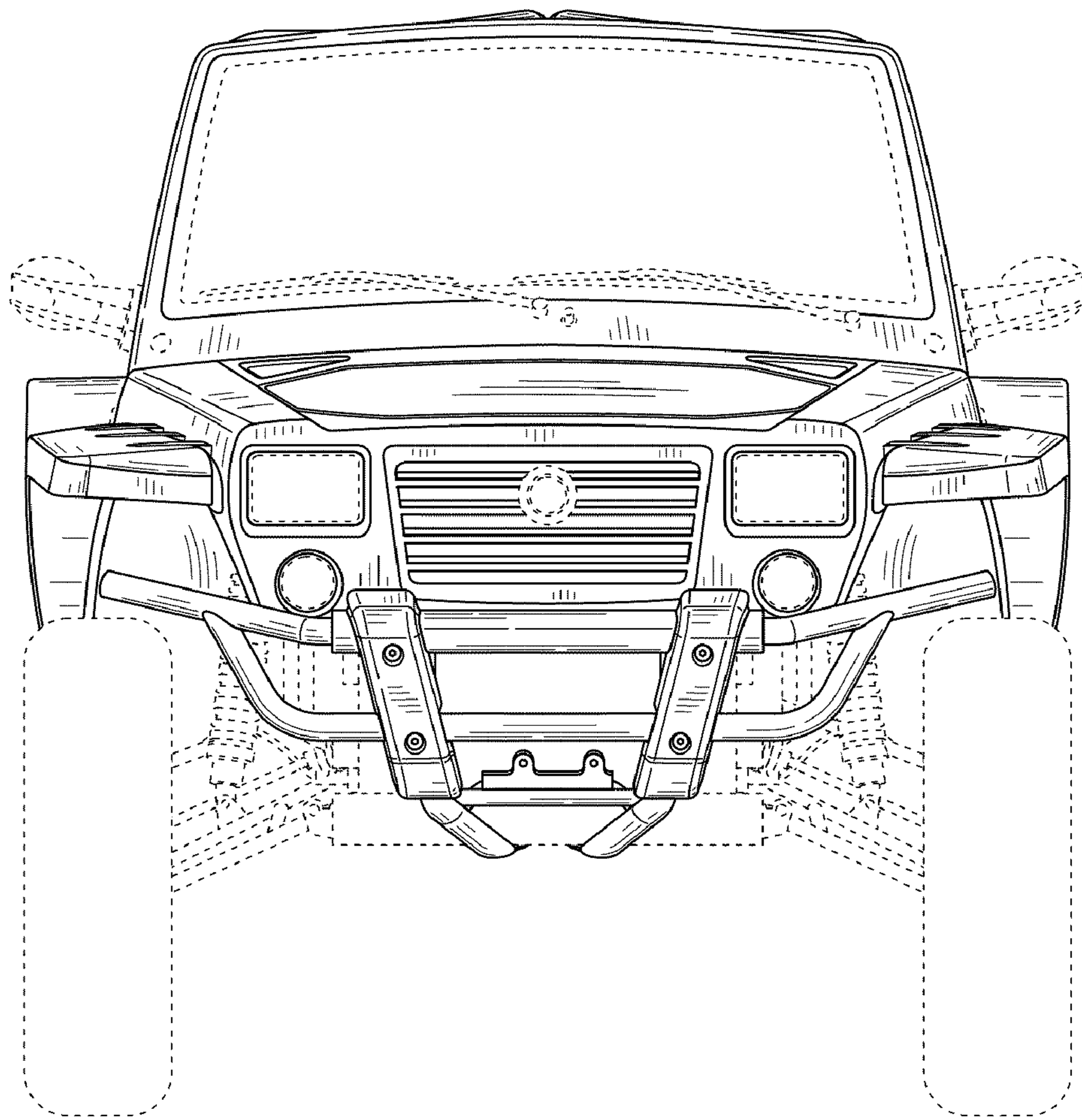


FIG. 2

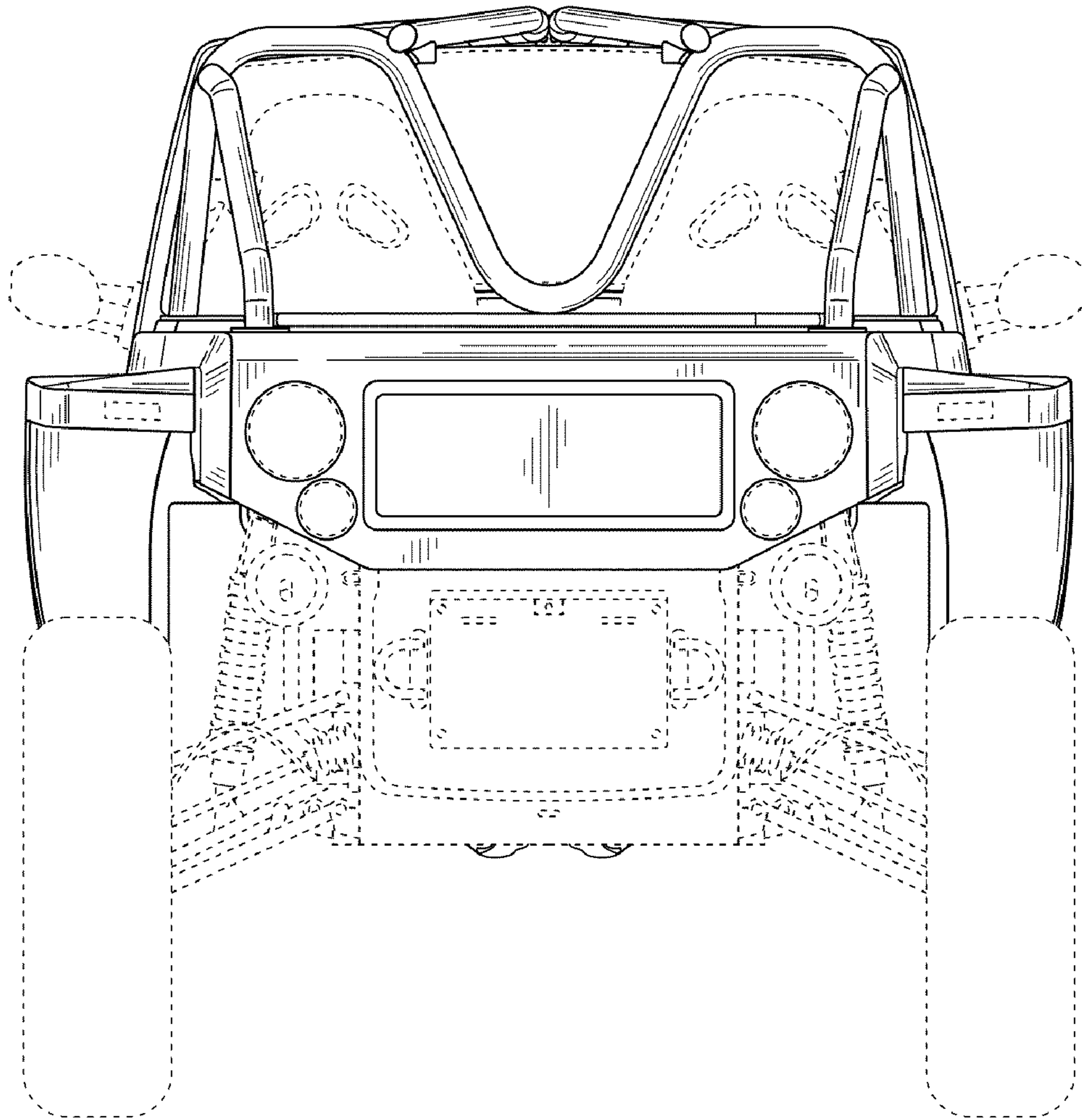


FIG. 3

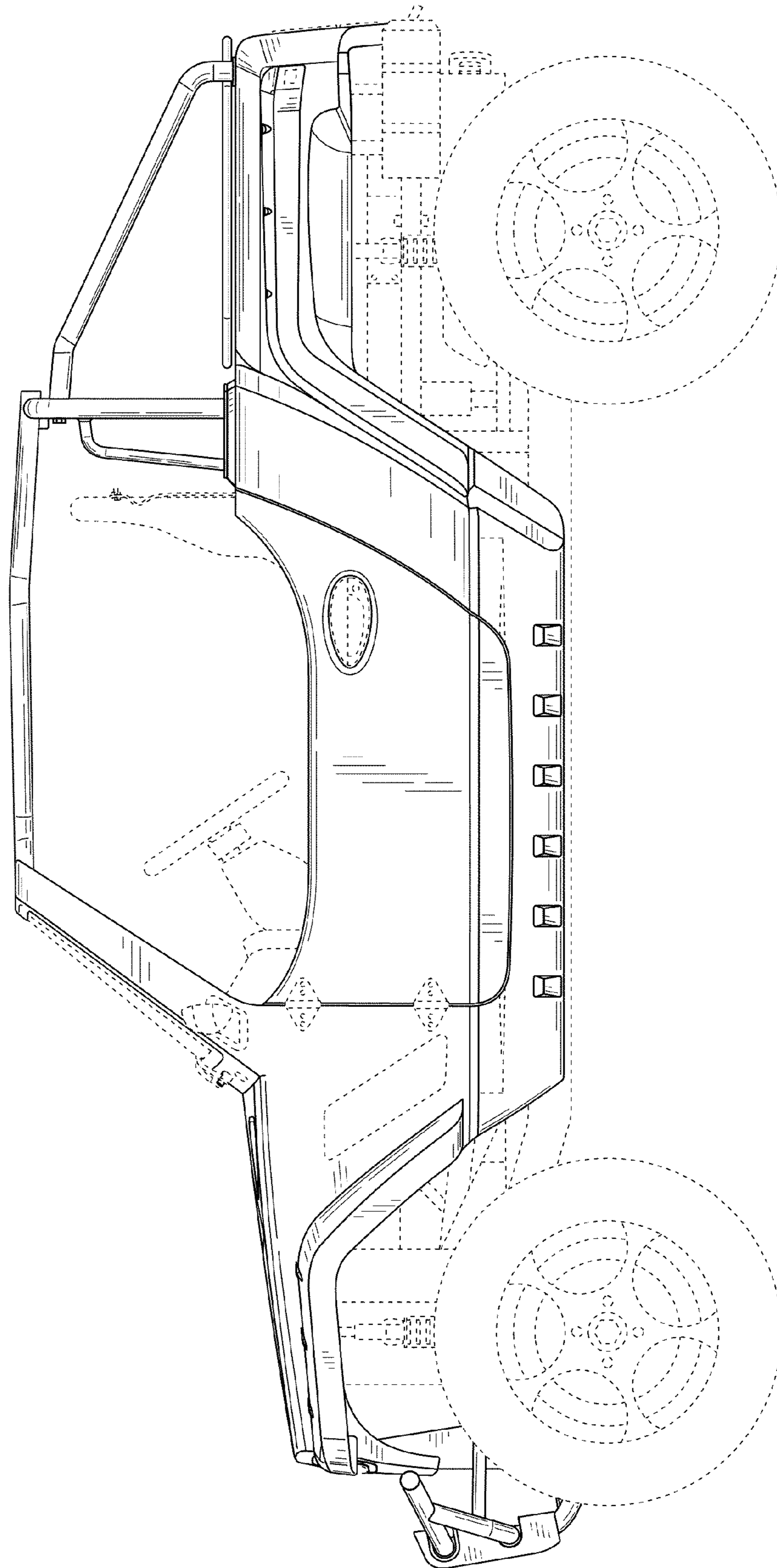


FIG. 4

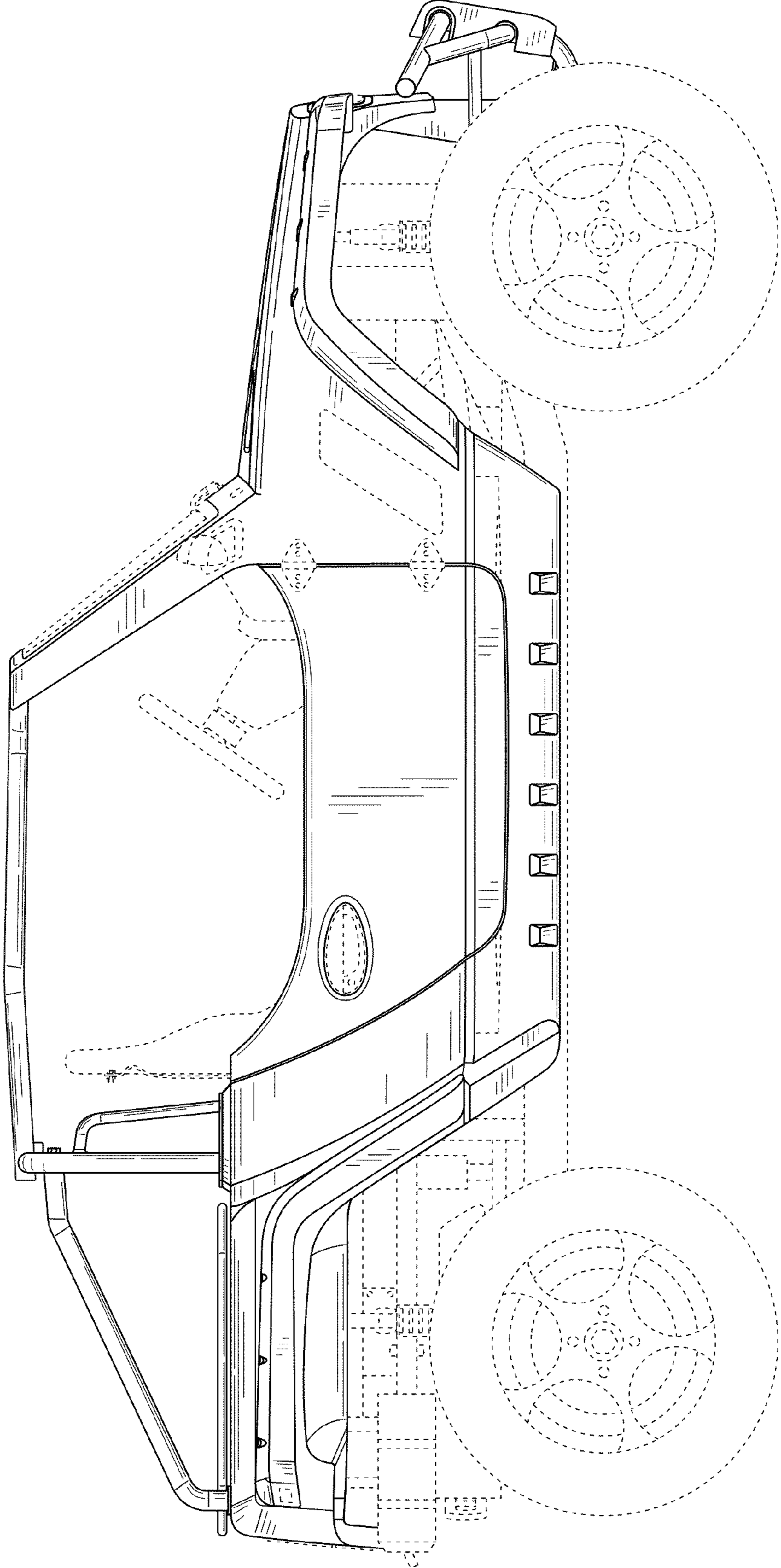


FIG. 5

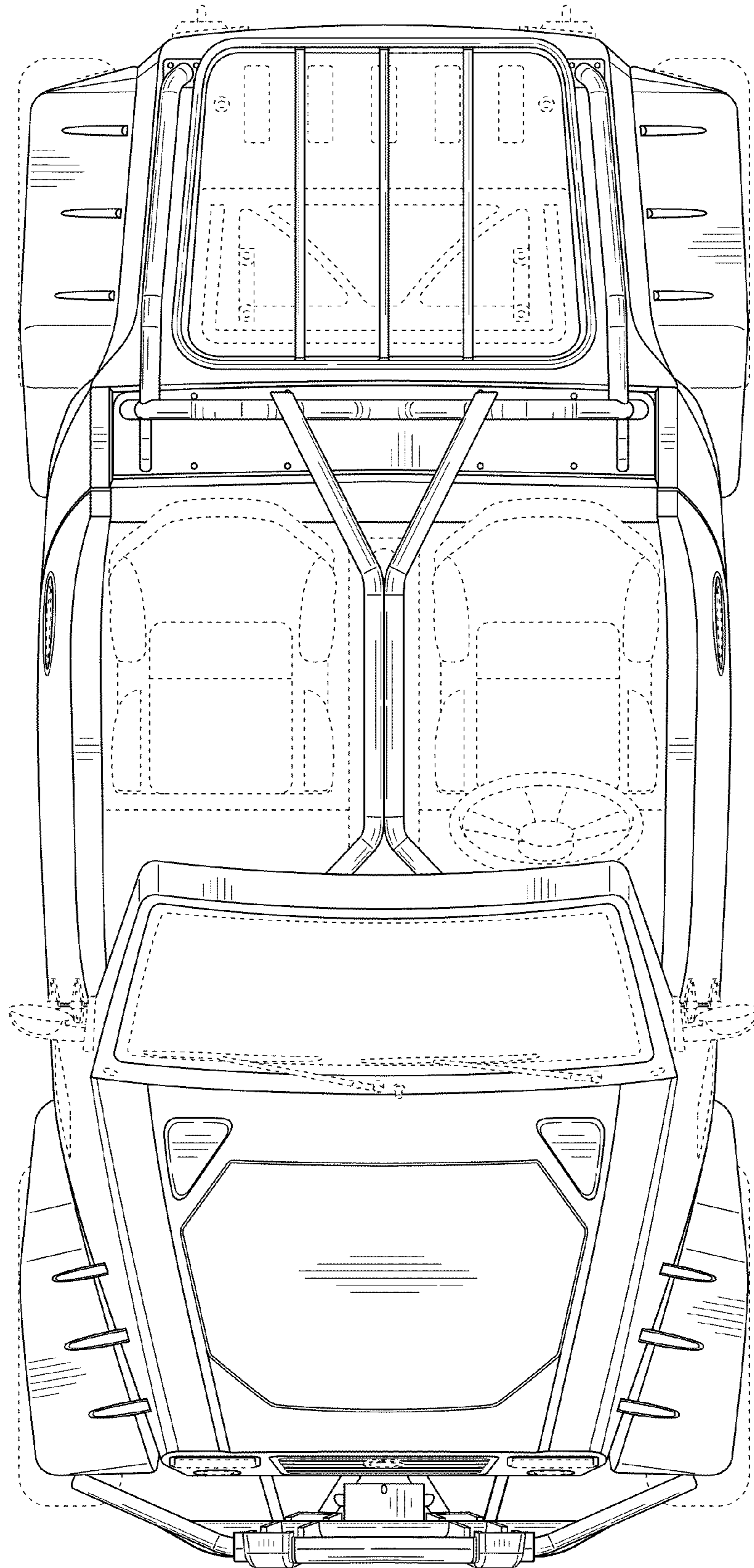


FIG. 6