

US00D649087S

(12) **United States Design Patent**  
**Harada**

(10) **Patent No.:** **US D649,087 S**

(45) **Date of Patent:** **\*\* Nov. 22, 2011**

(54) **BELT ADJUSTER**

(75) Inventor: **Takeshi Harada**, Toyama-ken (JP)

(73) Assignee: **YKK Corporation** (JP)

(\*\*) Term: **14 Years**

(21) Appl. No.: **29/394,482**

(22) Filed: **Jun. 17, 2011**

(30) **Foreign Application Priority Data**

Dec. 17, 2010 (JP) ..... D2010-030174

(51) **LOC (9) Cl.** ..... **02-07**

(52) **U.S. Cl.** ..... **D11/218**

(58) **Field of Classification Search** ..... D11/1-2,  
D11/200-201, 206-210, 214-218; 24/163 R,  
24/169-171, 173, 177-179, 191, 194-195,  
24/197, 200, 614-616, 625; 240/169-171;  
D3/318; 280/808

See application file for complete search history.

(56) **References Cited**

**U.S. PATENT DOCUMENTS**

1,049,757 A \* 1/1913 Negraival ..... 24/198  
D290,349 S 6/1987 Kasai  
D363,257 S \* 10/1995 Anscher ..... D11/218  
D411,485 S \* 6/1999 Dreyfus et al. .... D11/218  
D471,132 S \* 3/2003 Murata ..... D11/218

7,000,263 B2 \* 2/2006 McNeal ..... 2/452  
D538,198 S \* 3/2007 Wemmer ..... D11/218  
D545,243 S \* 6/2007 Gracer et al. .... D11/218  
D558,088 S \* 12/2007 Pontaoe ..... D11/218  
D586,259 S \* 2/2009 Kelleghan ..... D11/218  
D611,710 S 3/2010 Paik  
D631,787 S \* 2/2011 Grimm et al. .... D11/218

**FOREIGN PATENT DOCUMENTS**

JP D670798 1/1986  
JP D923279-1 1/1997

\* cited by examiner

*Primary Examiner* — Ralf Seifert

(74) *Attorney, Agent, or Firm* — Kilpatrick Townsend & Stockton LLP

(57) **CLAIM**

The ornamental design for a belt adjuster, as shown and described.

**DESCRIPTION**

FIG. 1 is a perspective view of the bottom, front and right side of a belt adjuster showing my (our) new design;  
FIG. 2 is a front view thereof;  
FIG. 3 is a rear view thereof;  
FIG. 4 is a top plan view thereof; the bottom view being mirror image thereof; and,  
FIG. 5 is a right side view thereof, the left side view being mirror image thereof.

**1 Claim, 2 Drawing Sheets**

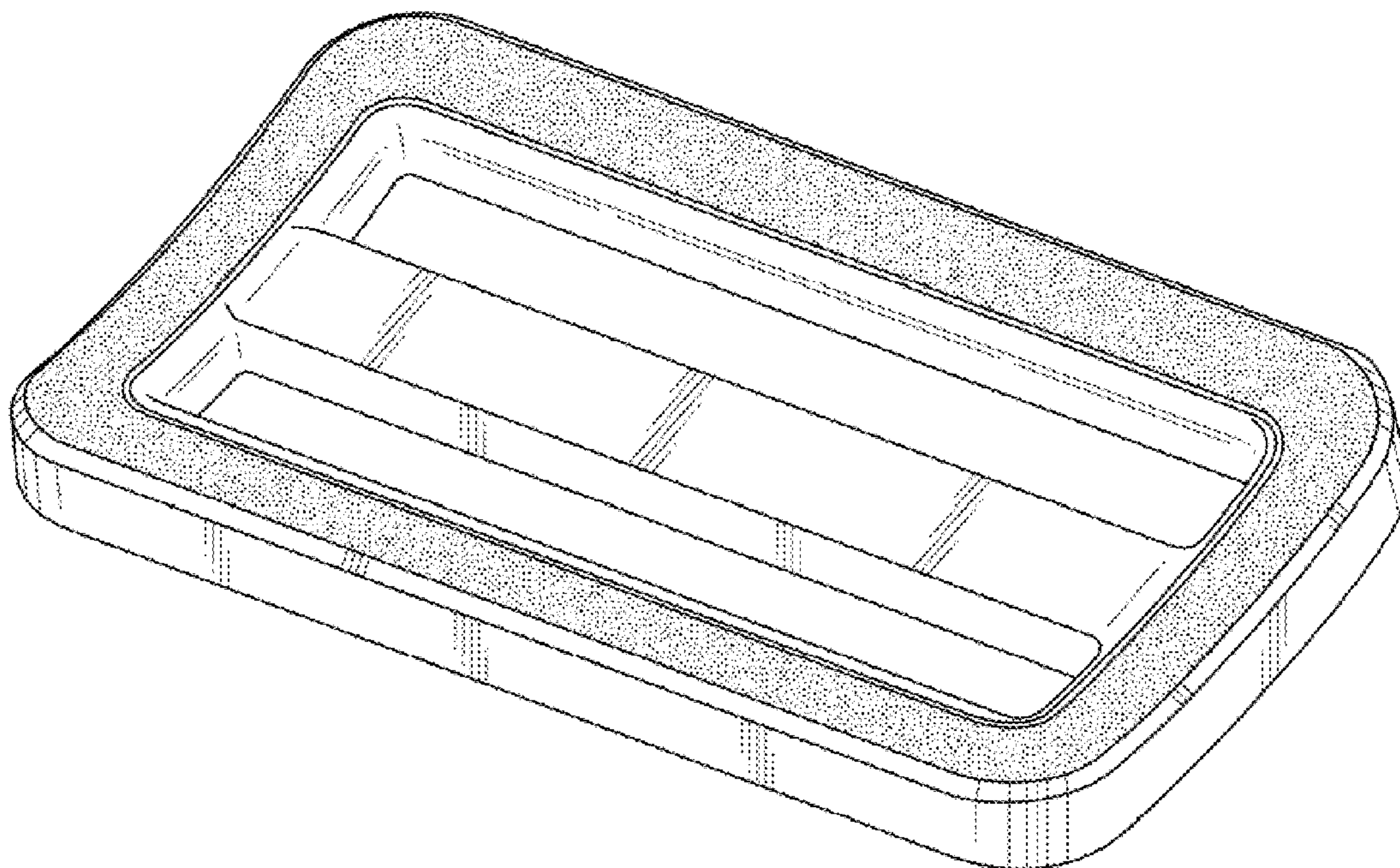


Fig. 1

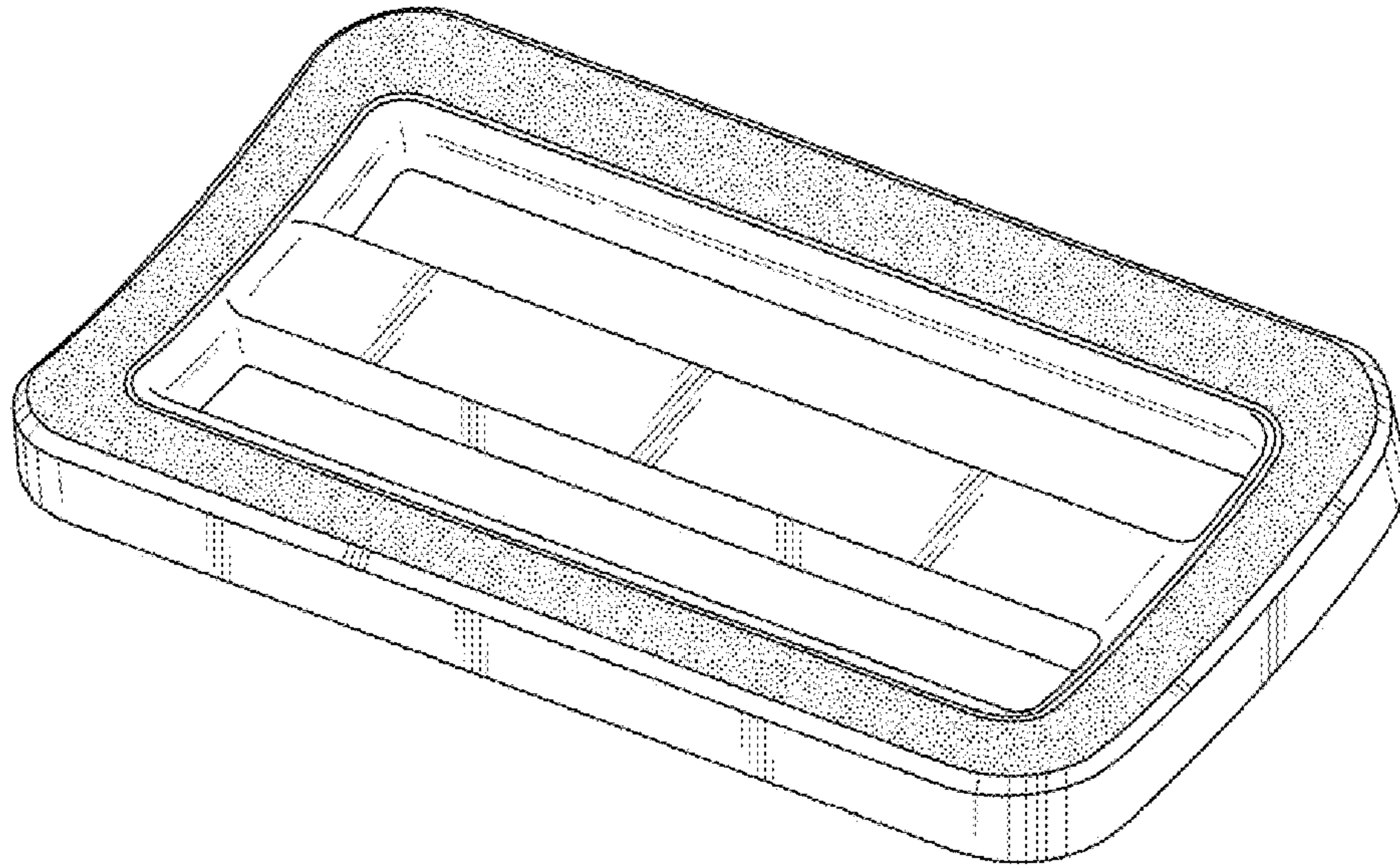


Fig. 2

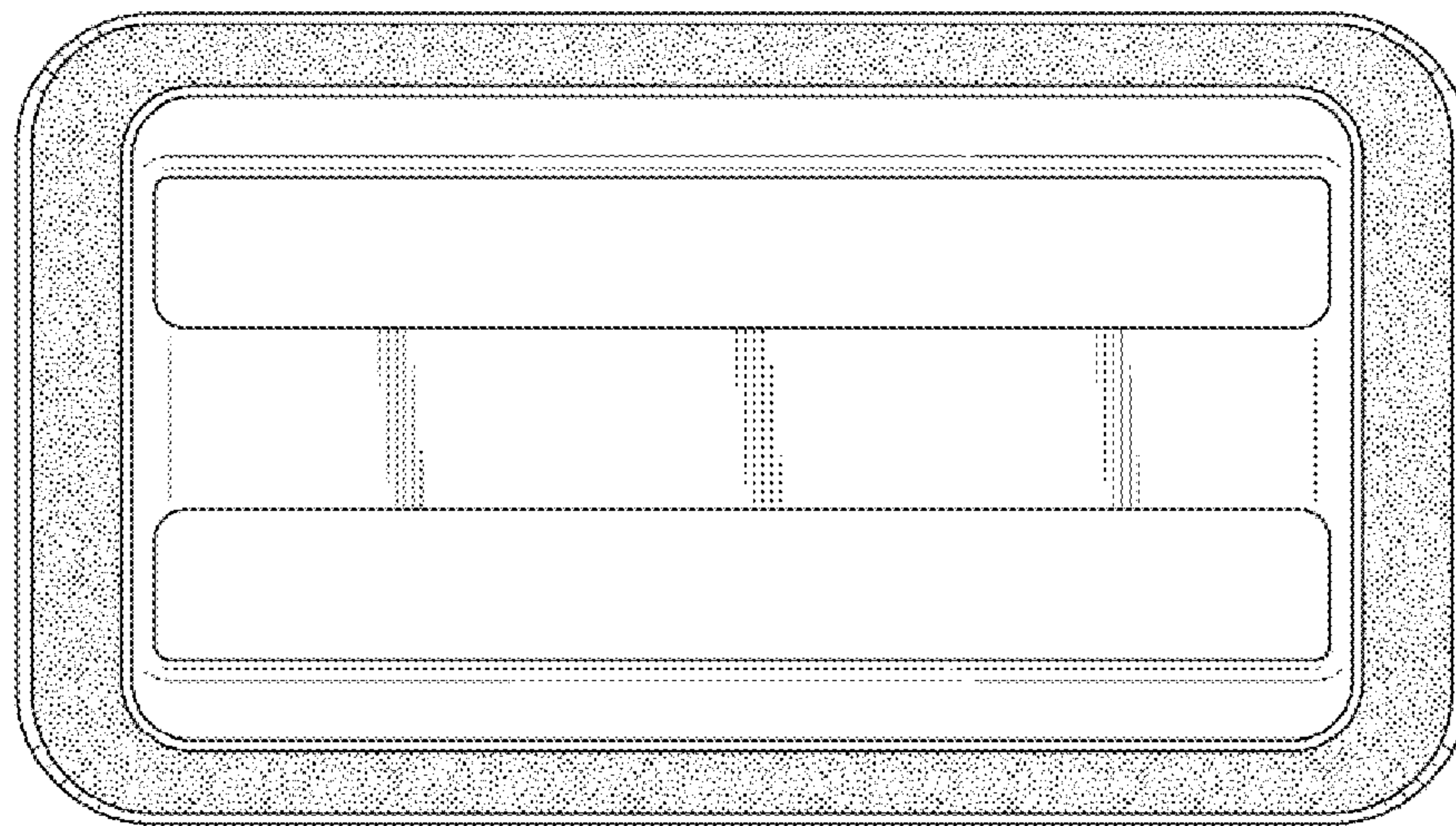




Fig. 3

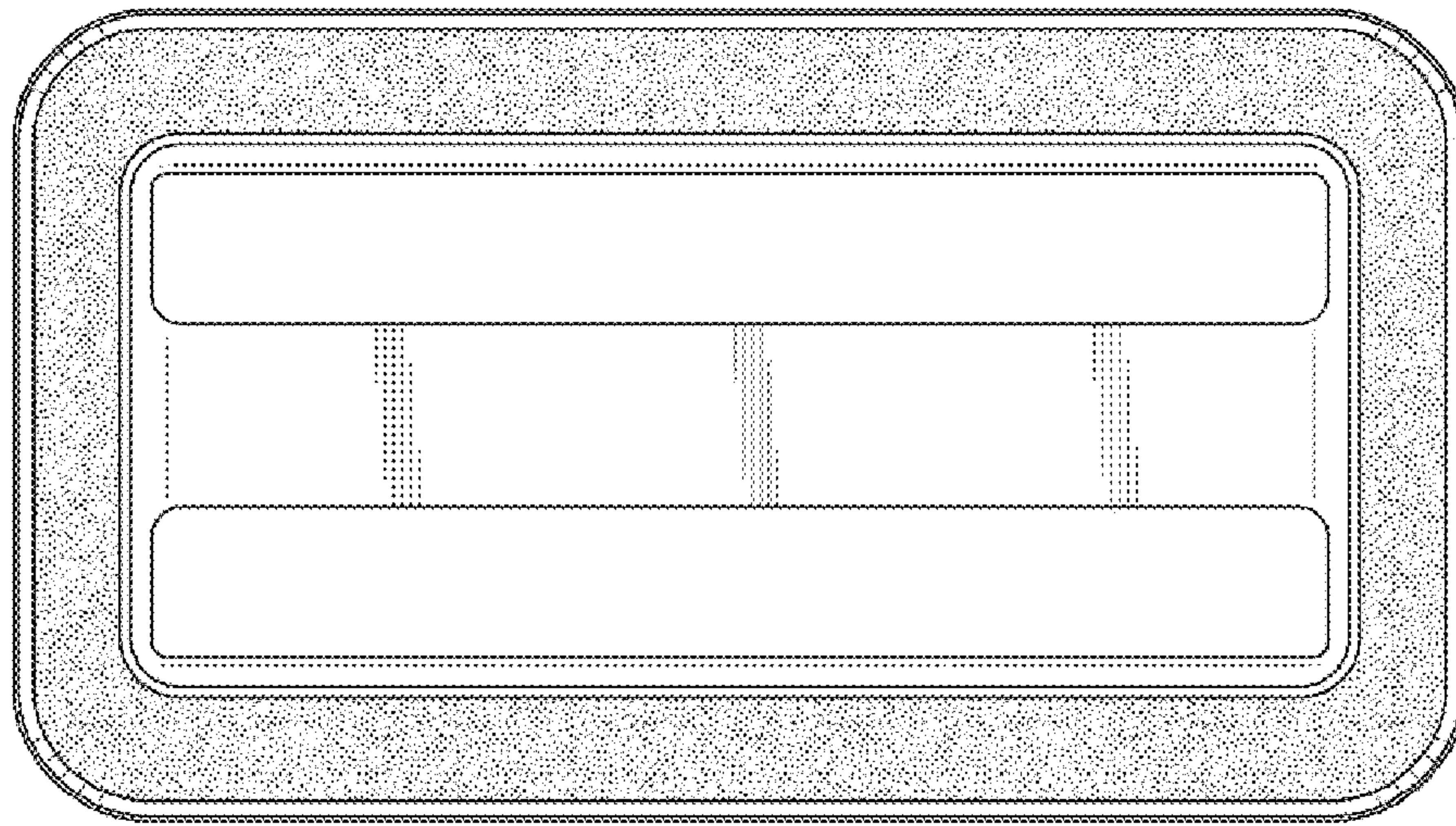


Fig. 4

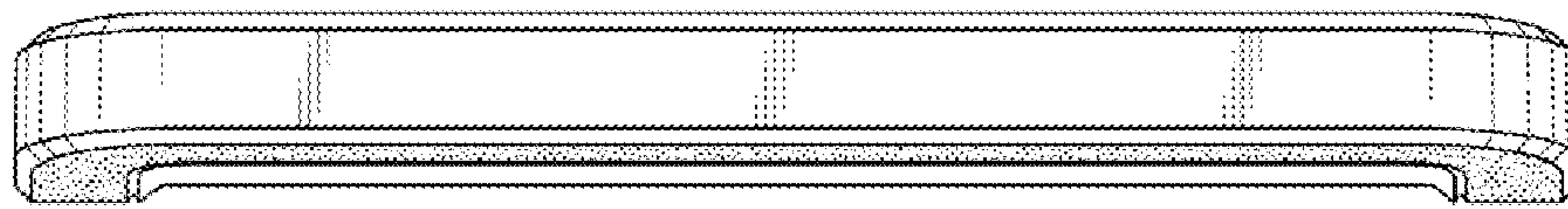


Fig. 5

