



US00D649085S

(12) **United States Design Patent**
Tremblay et al.

(10) **Patent No.:** **US D649,085 S**

(45) **Date of Patent:** **** Nov. 22, 2011**

(54) **PLANTER**

(75) Inventors: **Elizabeth Tremblay**, Minneapolis, MN (US); **Becca Jane Koehler**, Minneapolis, MN (US); **Chad Michael Bogdan**, St. Paul, MN (US)

(73) Assignee: **Target Brands, Inc.**, Minneapolis, MN (US)

(**) Term: **14 Years**

(21) Appl. No.: **29/396,051**

(22) Filed: **Jun. 24, 2011**

(51) **LOC (9) Cl.** **11-02**

(52) **U.S. Cl.** **D11/155; D11/156**

(58) **Field of Classification Search** D6/403-405, D6/556-558; D8/1; D11/143-156, 164; D19/77, 80, 81; D25/100; D26/9-11, 16; D34/1, 2, 4-6; D99/5, 19; 47/32.4, 32.5, 47/32.7, 33, 41.01, 41.1, 41.11-41.15, 44-47, 47/65, 65.5, 65.9, 66.1, 66.2, 66.6, 66.7, 47/67-71

See application file for complete search history.

(56) **References Cited**

U.S. PATENT DOCUMENTS

D158,893 S *	6/1950	O'Brien	D11/144
D169,833 S *	6/1953	Young et al.	D11/144
D176,161 S *	11/1955	Shelby	D11/144
D274,583 S	7/1984	Lafferty		
D285,405 S	9/1986	Grange		
D322,047 S *	12/1991	Wolfenden	D11/153
D331,727 S *	12/1992	Grosfillex	D11/153
D349,213 S	8/1994	Cousins et al.		
D356,754 S *	3/1995	Schmidt et al.	D11/152
D382,511 S *	8/1997	Azarian	D11/143
D383,417 S *	9/1997	Davis	D11/152
D385,213 S	10/1997	McAllister		
D408,322 S	4/1999	Yurk		
D445,358 S *	7/2001	Simmons	D11/152
D473,754 S	4/2003	Thun		
D478,530 S *	8/2003	Sachuk	D11/143

D495,564 S 9/2004 Bodum
D504,799 S 5/2005 Lawson et al.
D542,098 S 5/2007 Wasserman et al.

(Continued)

OTHER PUBLICATIONS

Blain's Farm & Fleet, "New England Pottery Rounded Square Cane Planter," http://www.farmandfleet.com/products/538715-rounded_square_cane_planter.html, as printed on May 10, 2011, 2 pages.

Primary Examiner — Garth Rademaker

(74) *Attorney, Agent, or Firm* — Griffiths & Seaton PLLC

(57) **CLAIM**

The ornamental design for planter, as shown and described.

DESCRIPTION

FIG. 1 is a top perspective view of a first embodiment of a planter showing our new design;

FIG. 2 is a bottom perspective view thereof

FIG. 3 is a front view thereof, the rear view being identical to the front view;

FIG. 4 is a right side view thereof, the left side view being identical to the right side view;

FIG. 5 is a top view thereof; and

FIG. 6 is a bottom view thereof.

FIG. 7 is a top perspective view of a second embodiment of a planter showing our new design;

FIG. 8 is a bottom perspective view thereof;

FIG. 9 is a front view thereof, the rear view being identical to the front view;

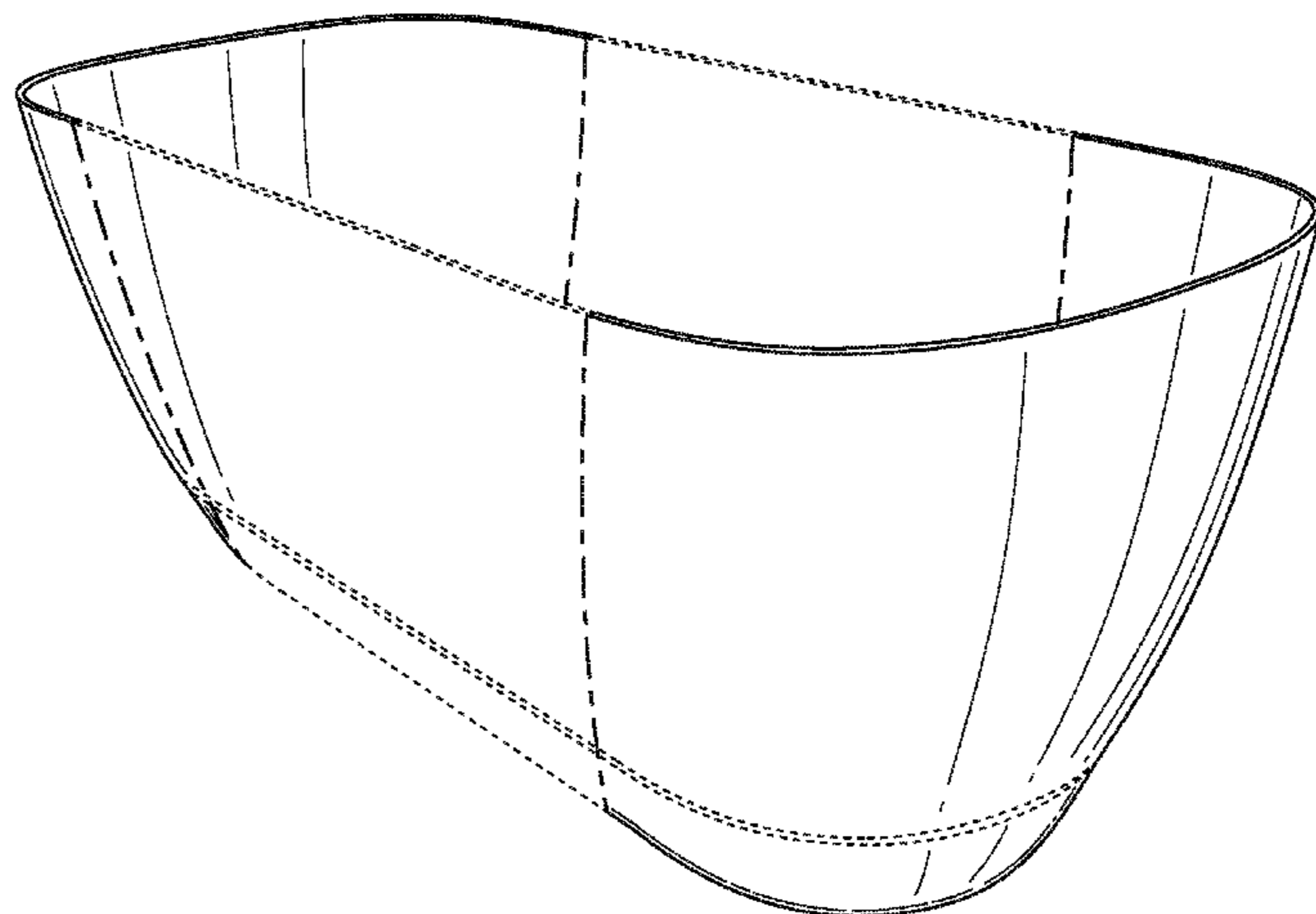
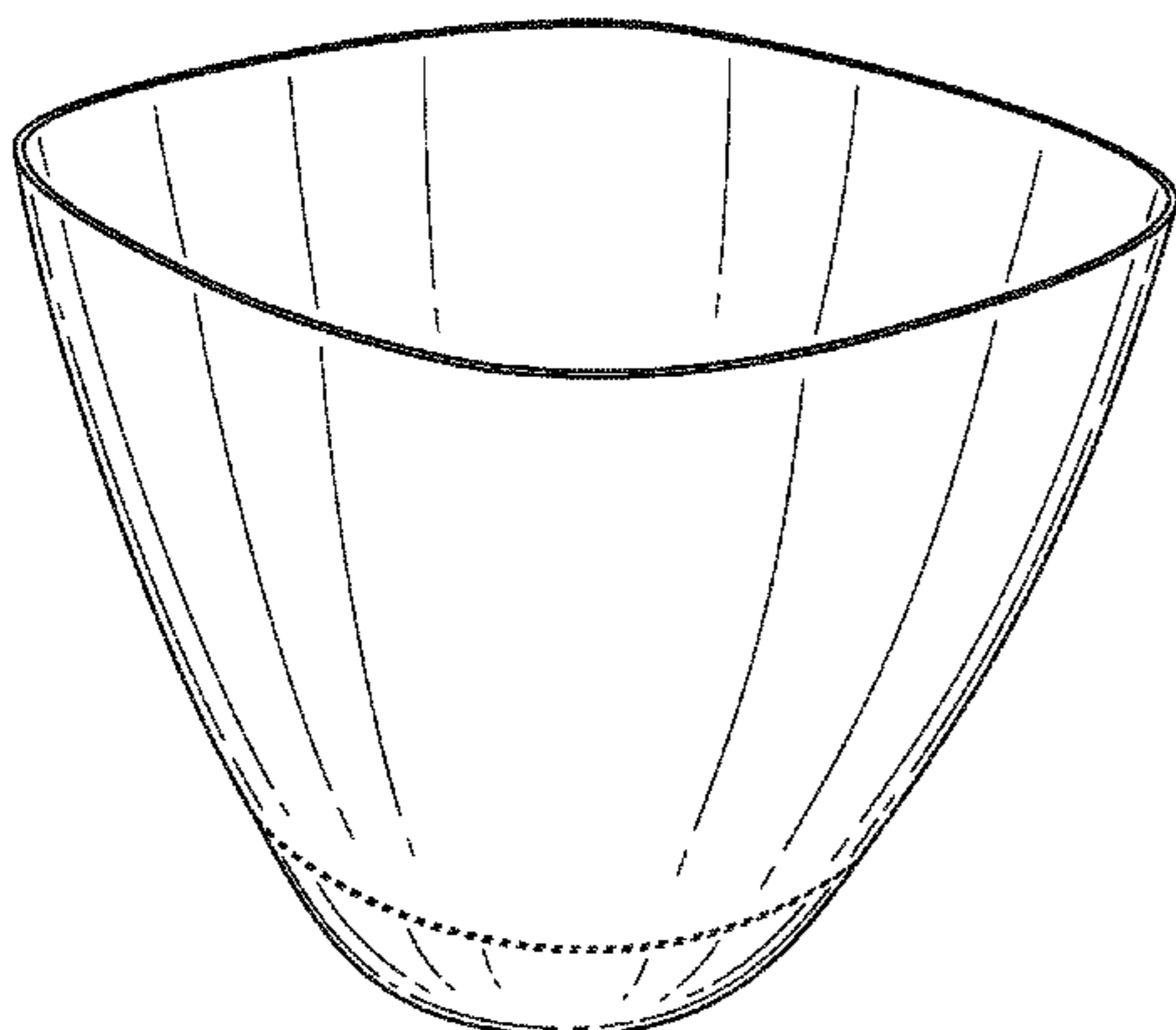
FIG. 10 is a right side view thereof, the left side view being identical to the right side view;

FIG. 11 is a top view thereof; and,

FIG. 12 is a bottom view thereof.

The long dash-short dash broken lines are boundary lines indicating the bounds of the claimed subject matter, but otherwise form no part of the claimed design. All other features shown in broken lines depict environmental subject matter only and form no part of the claimed design.

1 Claim, 12 Drawing Sheets



US D649,085 S

Page 2

U.S. PATENT DOCUMENTS

D545,133 S	6/2007	Wasserman et al.		D588,496 S	3/2009	White
D564,939 S *	3/2008	Fan	D11/152	D598,224 S	8/2009	Zanini
D567,591 S	4/2008	Weber		D606,452 S	12/2009	White
D578,927 S *	10/2008	Brandstatter	D11/146	D611,876 S	3/2010	White
D578,929 S	10/2008	White		D618,514 S	6/2010	Wolhendler
D579,374 S	10/2008	Boyette et al.				

* cited by examiner

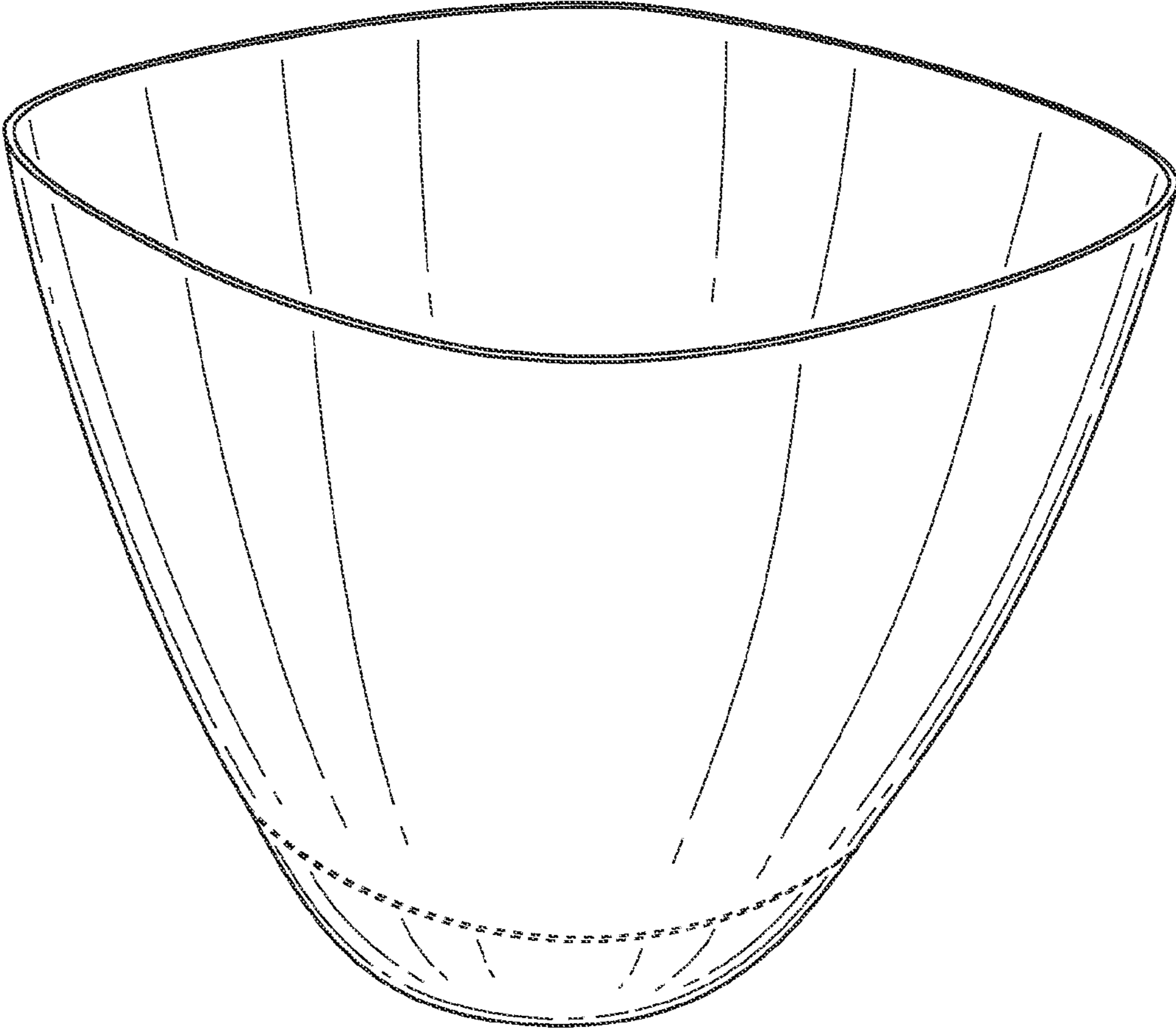


FIG. 1

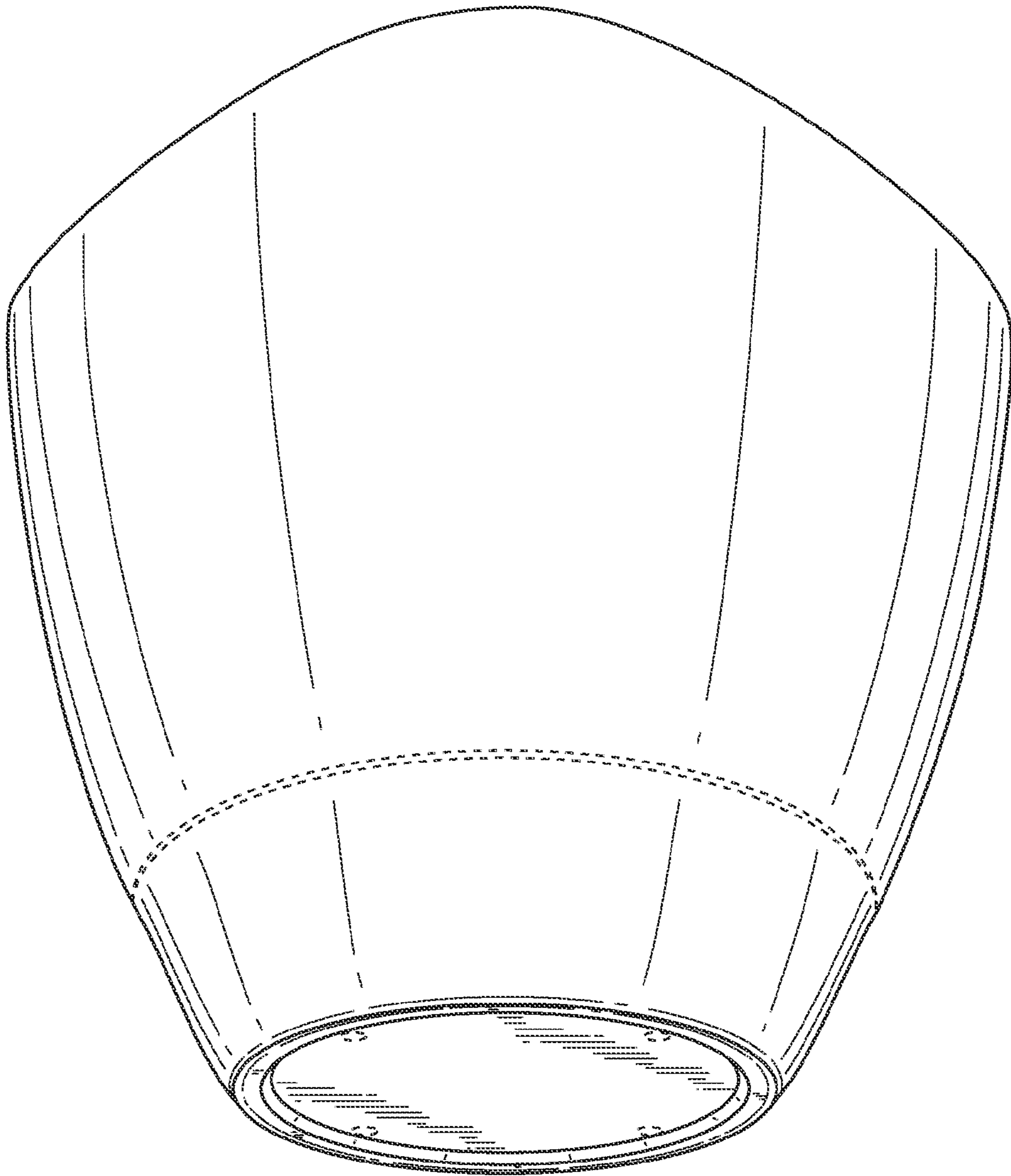


FIG. 2

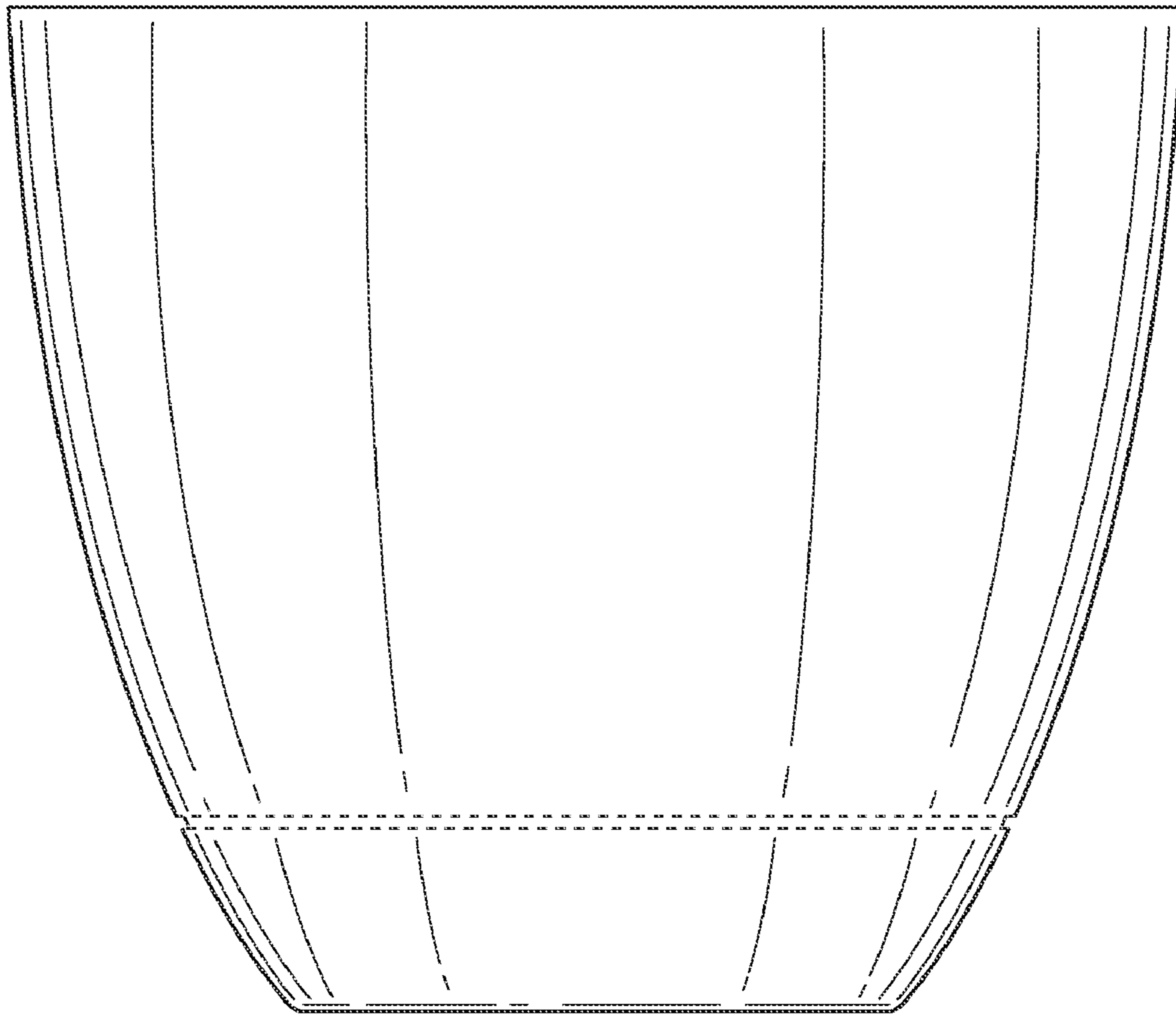


FIG. 3

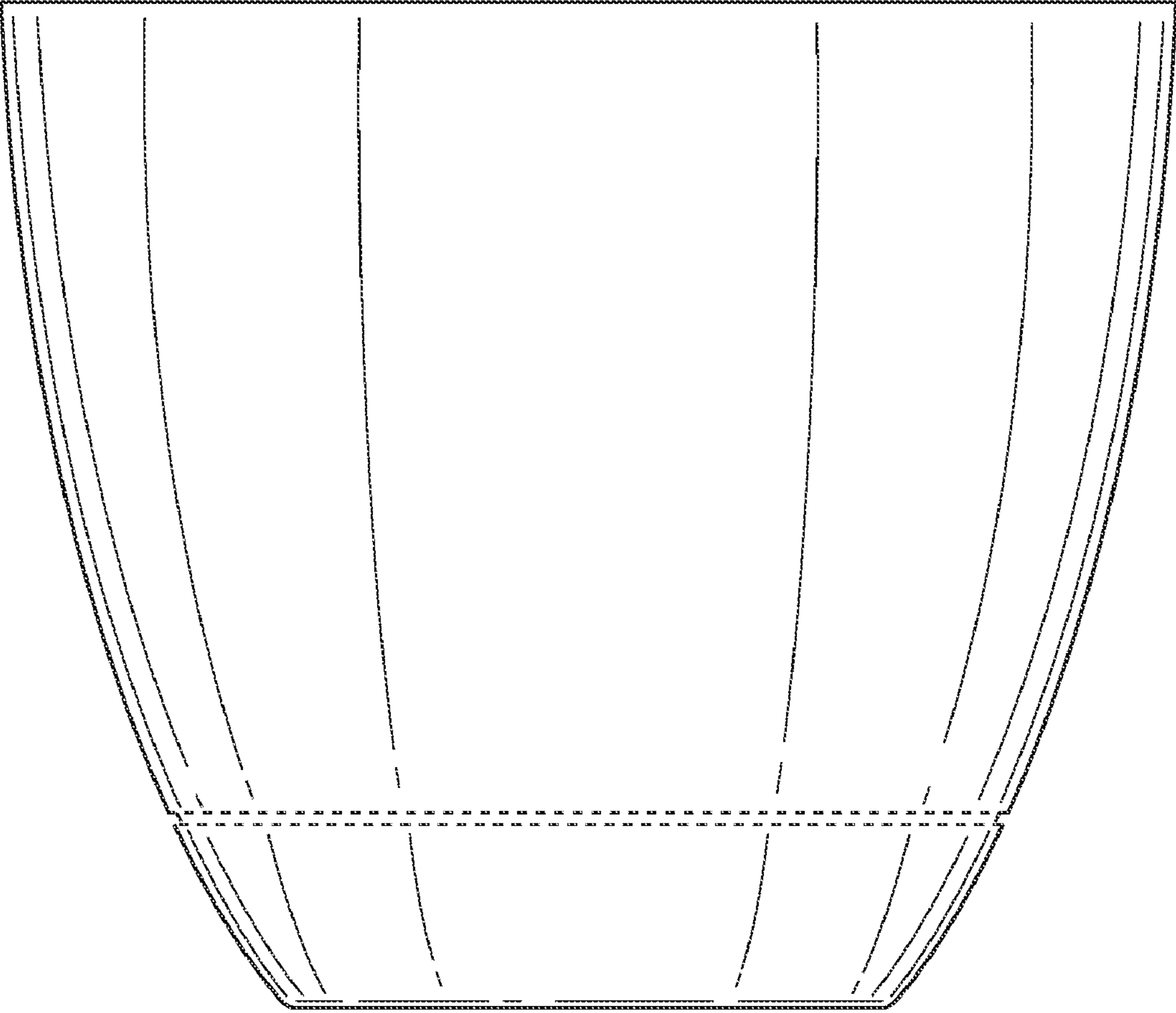


FIG. 4

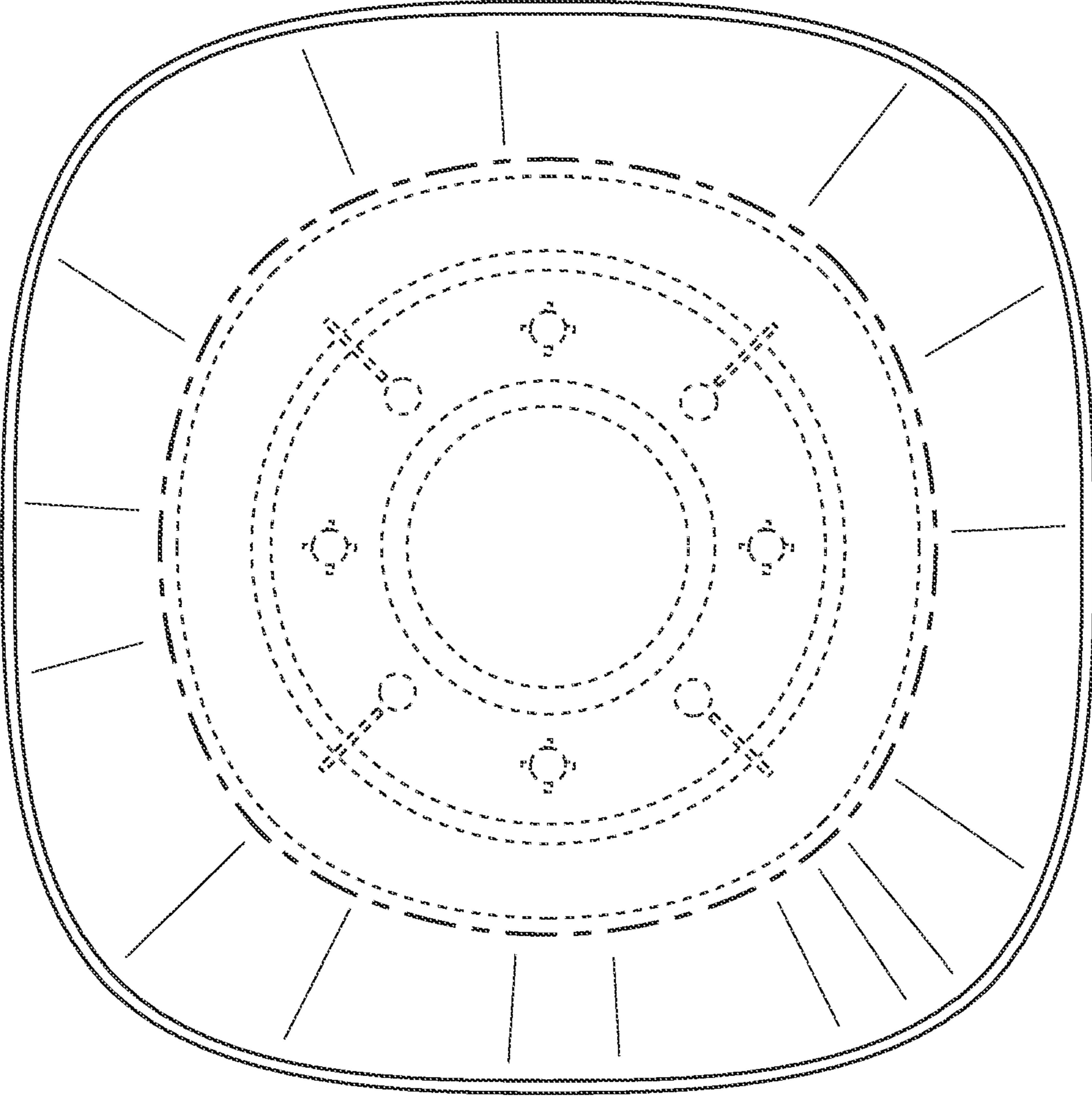


FIG. 5

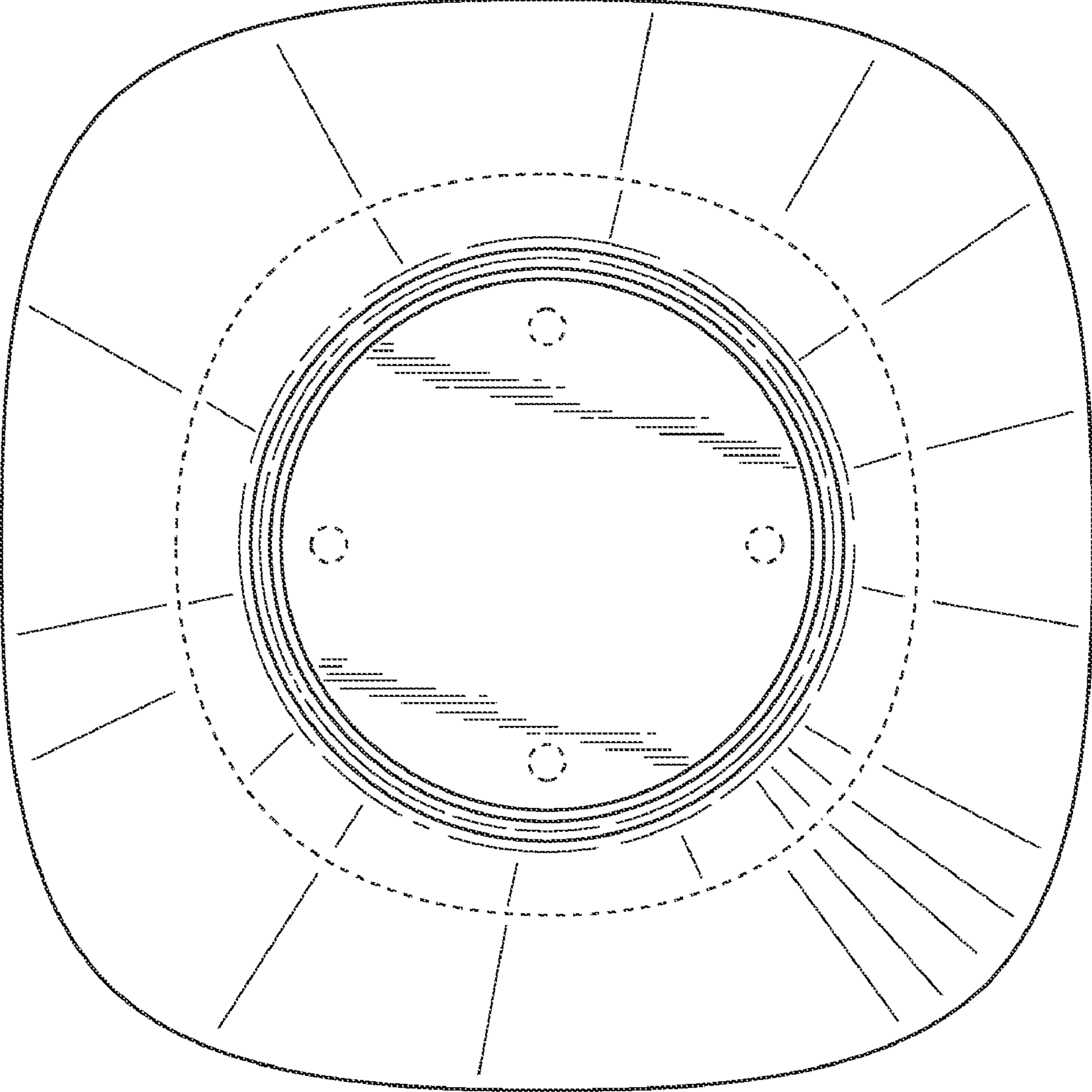


FIG. 6

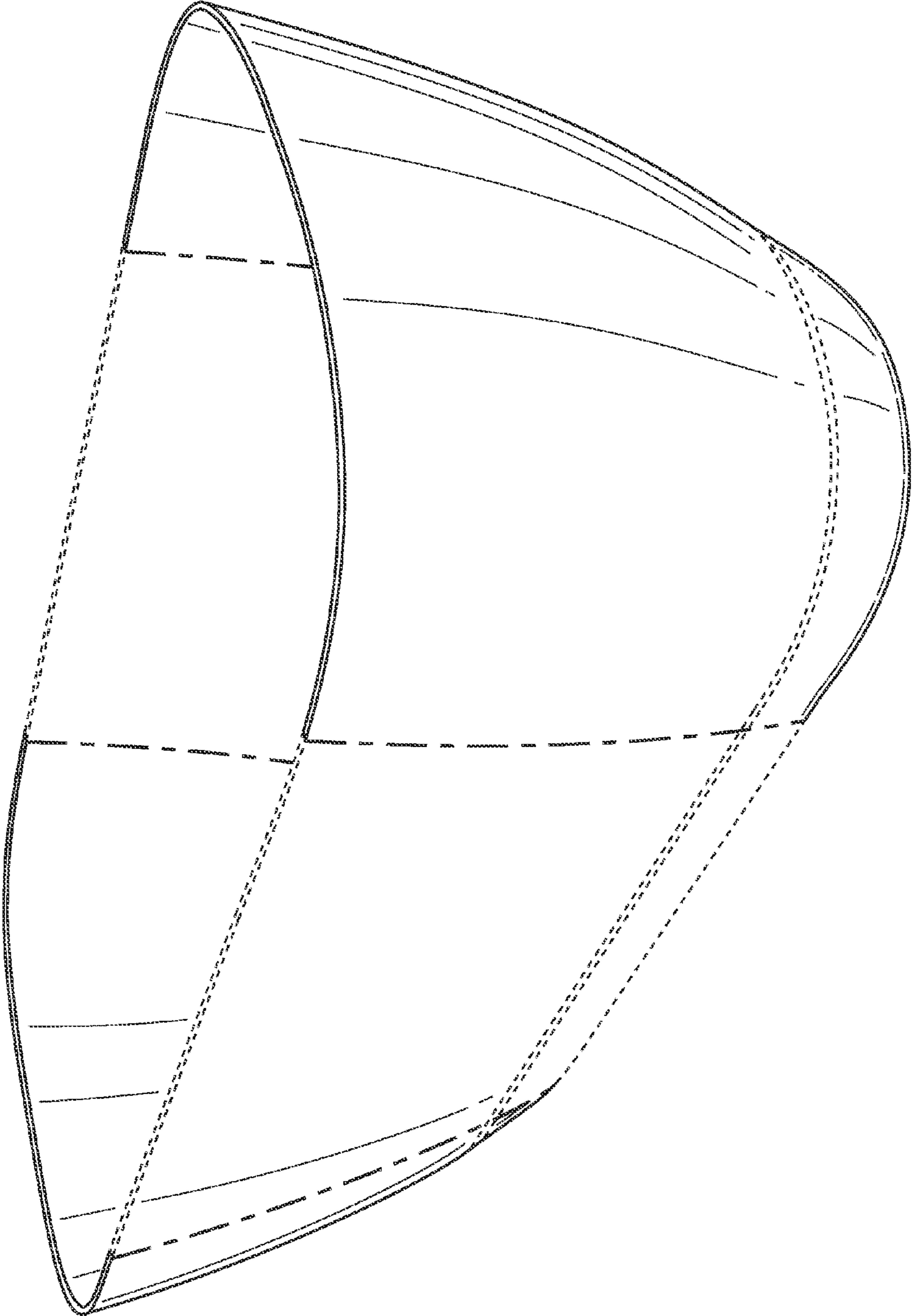


FIG. 7

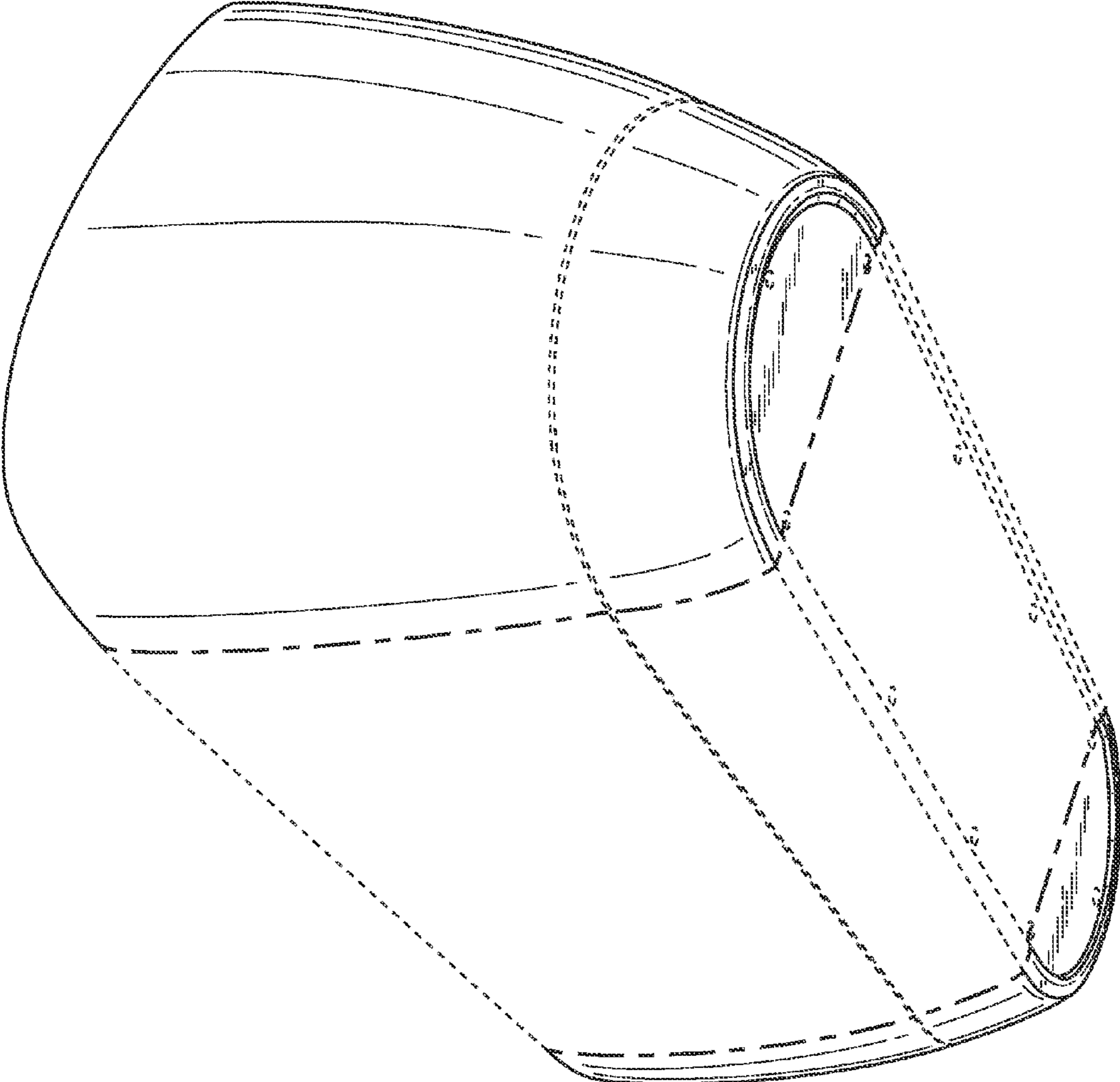


FIG. 8

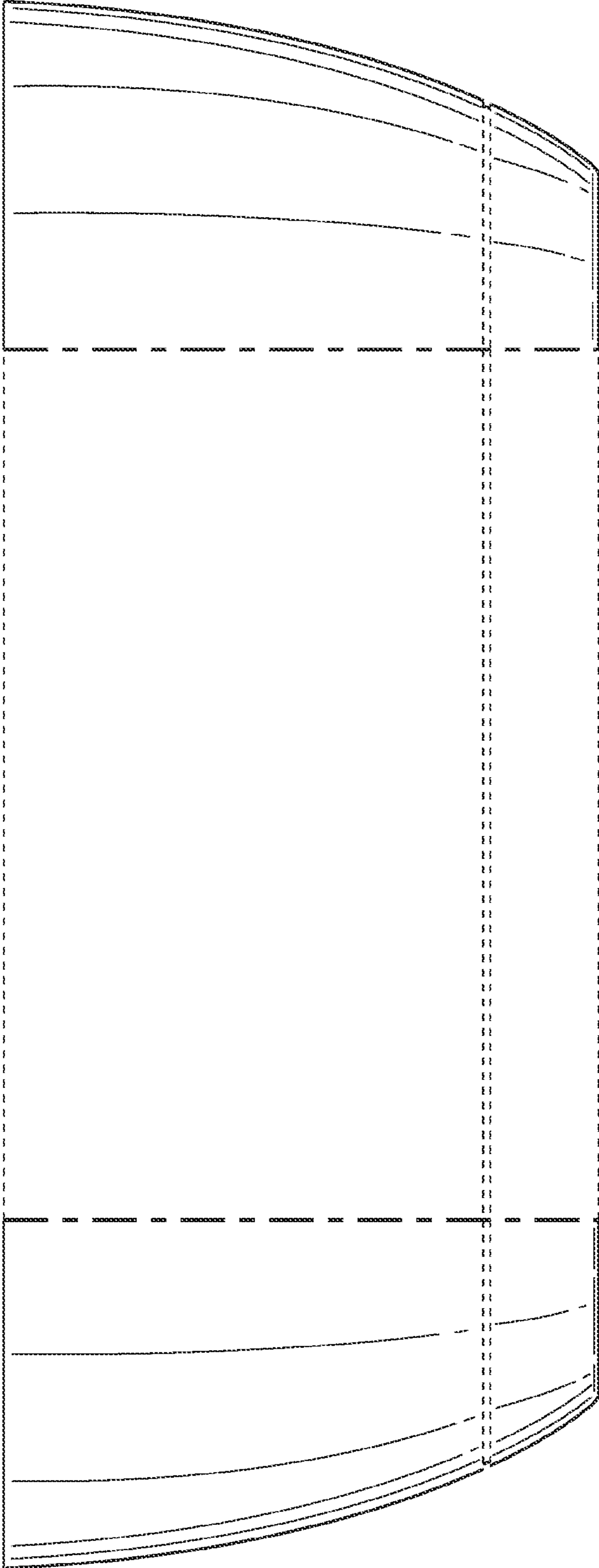


FIG. 9

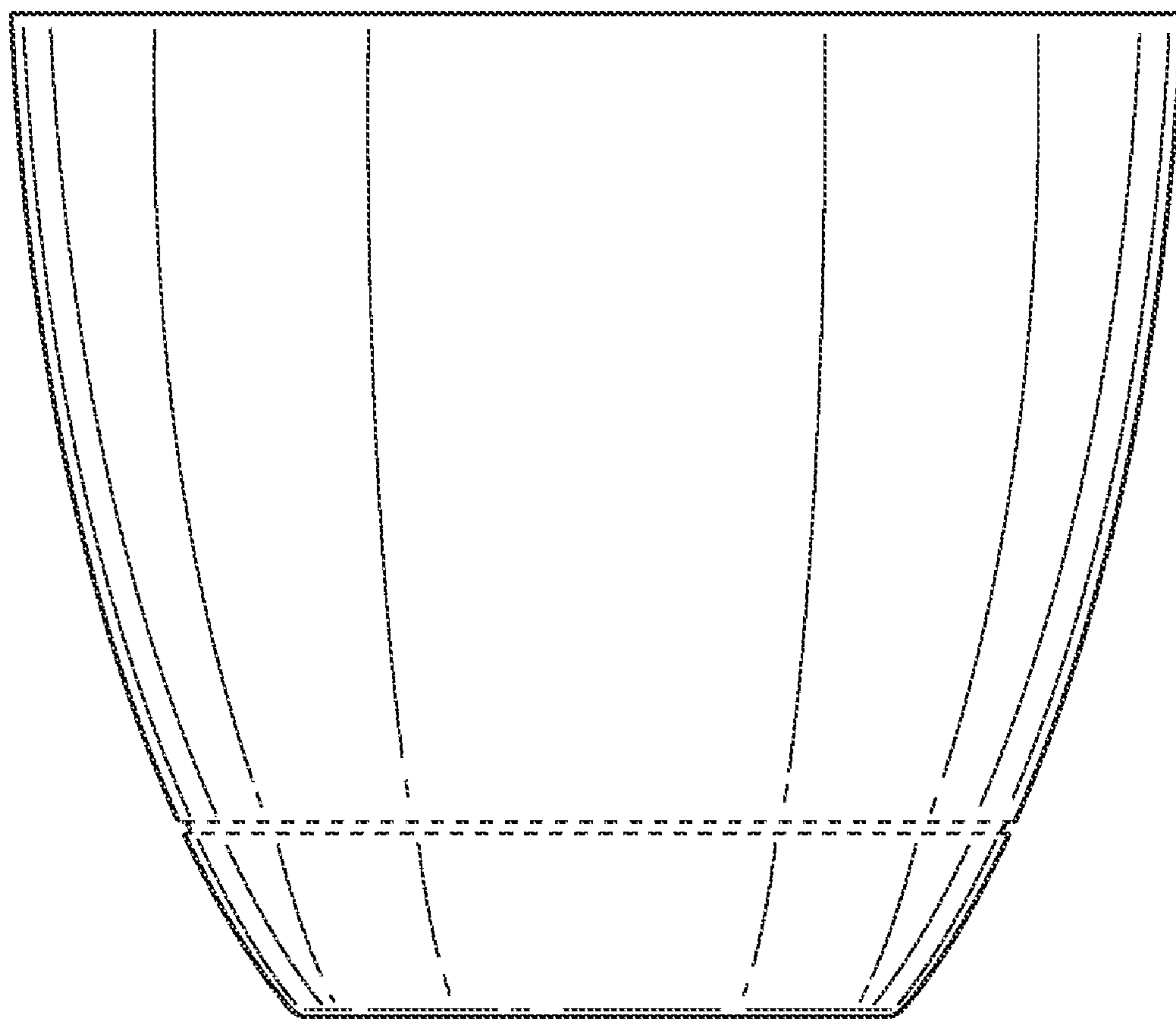


FIG. 10

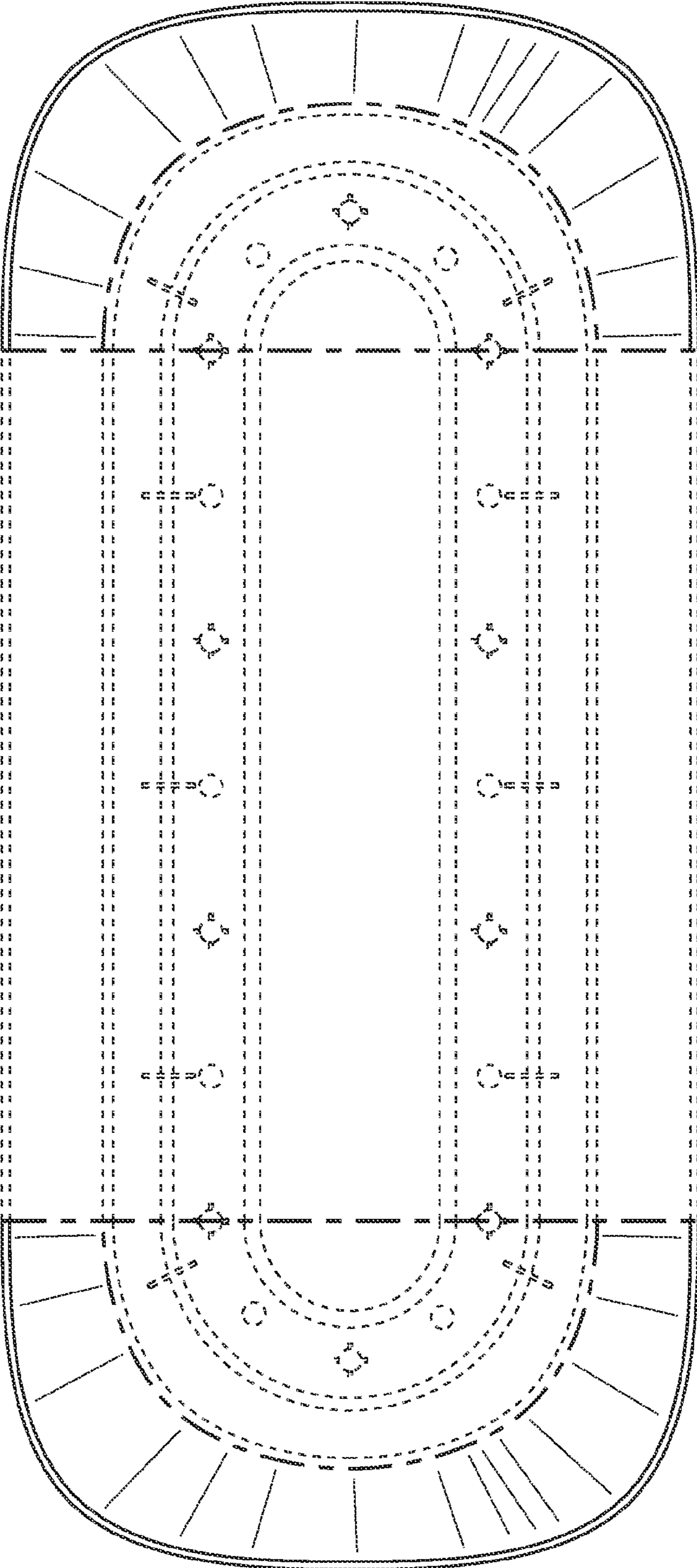


FIG. 11

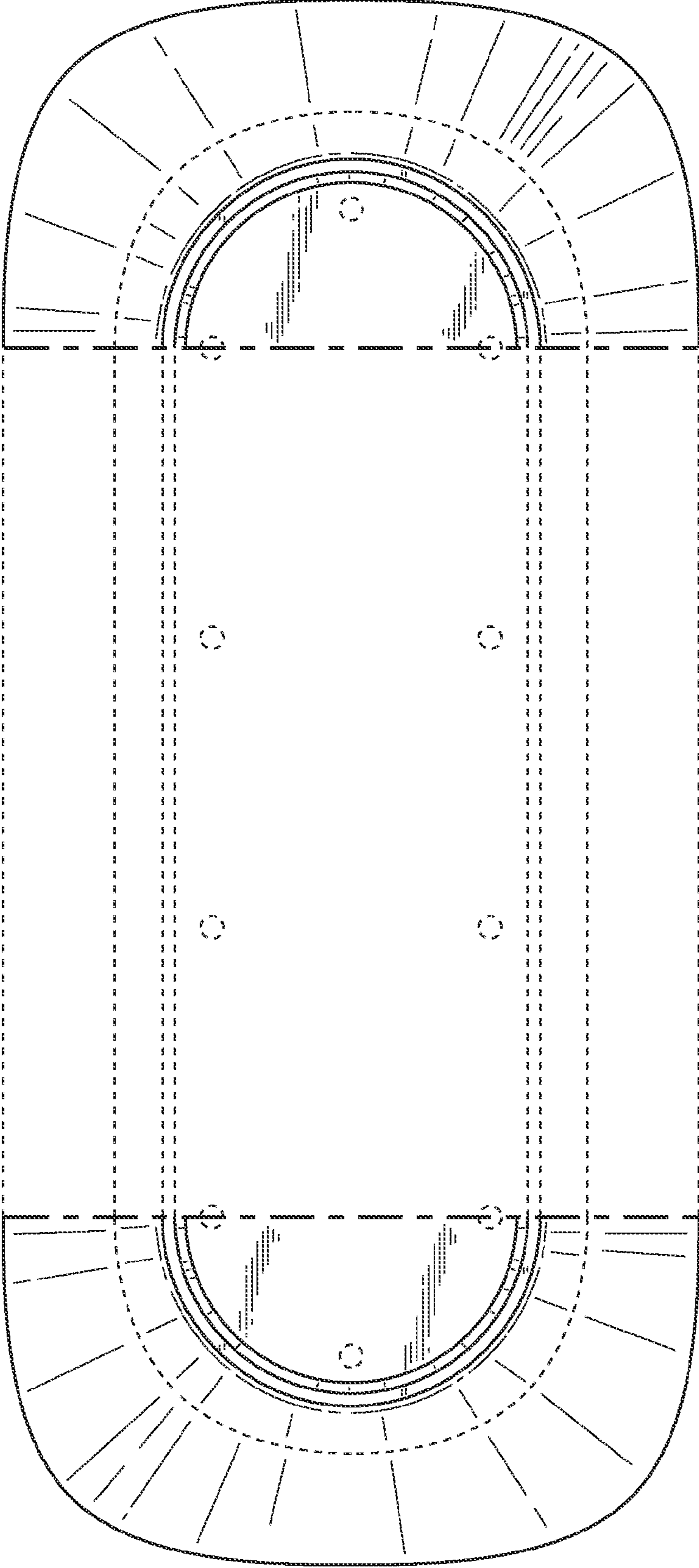


FIG. 12