



US00D649077S

(12) **United States Design Patent**  
**Deyaf**

(10) **Patent No.:** **US D649,077 S**

(45) **Date of Patent:** **\*\* Nov. 22, 2011**

(54) **EMERGENCY VEHICLE DOUBLE-STACK LIGHT-BAR**

D626,023 S \* 10/2010 Shin ..... D10/114.4  
D631,771 S \* 2/2011 Kuo ..... D10/114.4  
D637,509 S \* 5/2011 Shin ..... D10/114.4

(75) Inventor: **Ahmed Deyaf**, Richardson, TX (US)

\* cited by examiner

(73) Assignee: **SpeedTech Lights, Inc.**, Buda, TX (US)

*Primary Examiner* — Caron D Veynar

*Assistant Examiner* — George D Kirschbaum

(\*\*) Term: **14 Years**

(57) **CLAIM**

(21) Appl. No.: **29/390,277**

The ornamental design for an emergency vehicle double-stack light-bar, as shown.

(22) Filed: **Apr. 22, 2011**

**DESCRIPTION**

(51) **LOC (9) Cl.** ..... **10-05**

(52) **U.S. Cl.** ..... **D10/114.4**

(58) **Field of Classification Search** ..... D10/114.4;

D26/72, 85; D6/349; 326/183, 200, 196,

326/191, 459, 460-463, 465; 340/908.1,

340/815.03, 760, 761, 767, 782, 471, 473

See application file for complete search history.

FIG. 1 is a perspective view of a emergency vehicle double-stack light-bar, showing my new design;

FIG. 2 is a front view thereof;

FIG. 3 is a back view thereof;

FIG. 4 is a right side view thereof;

FIG. 5 is a left side view thereof;

FIG. 6 is a top view thereof; and,

FIG. 7 is a bottom view thereof.

The broken lines depict unclaimed environmental subject matter.

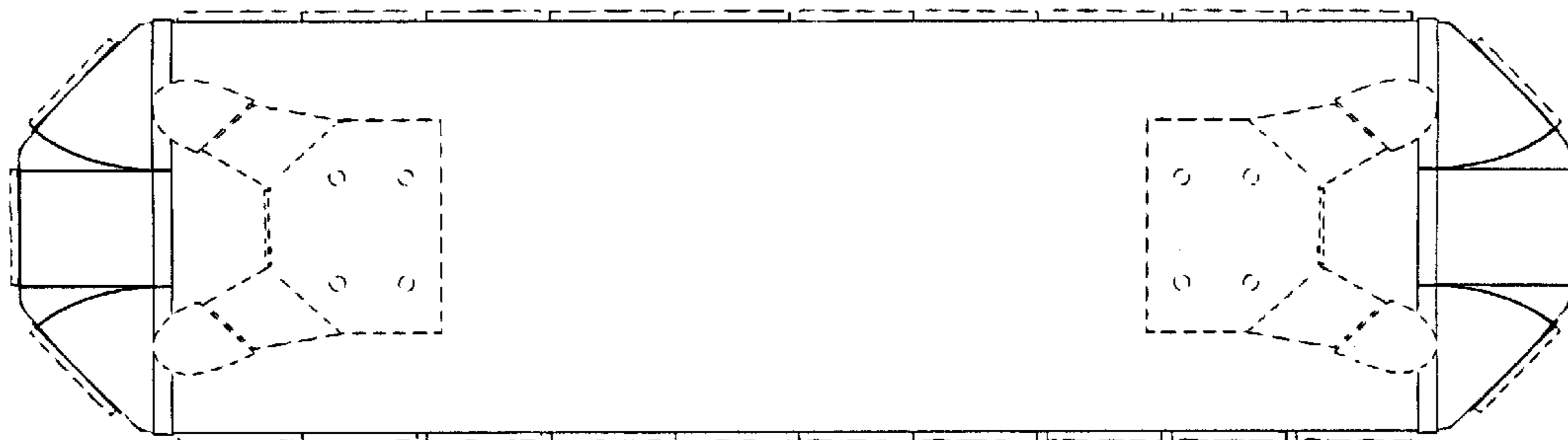
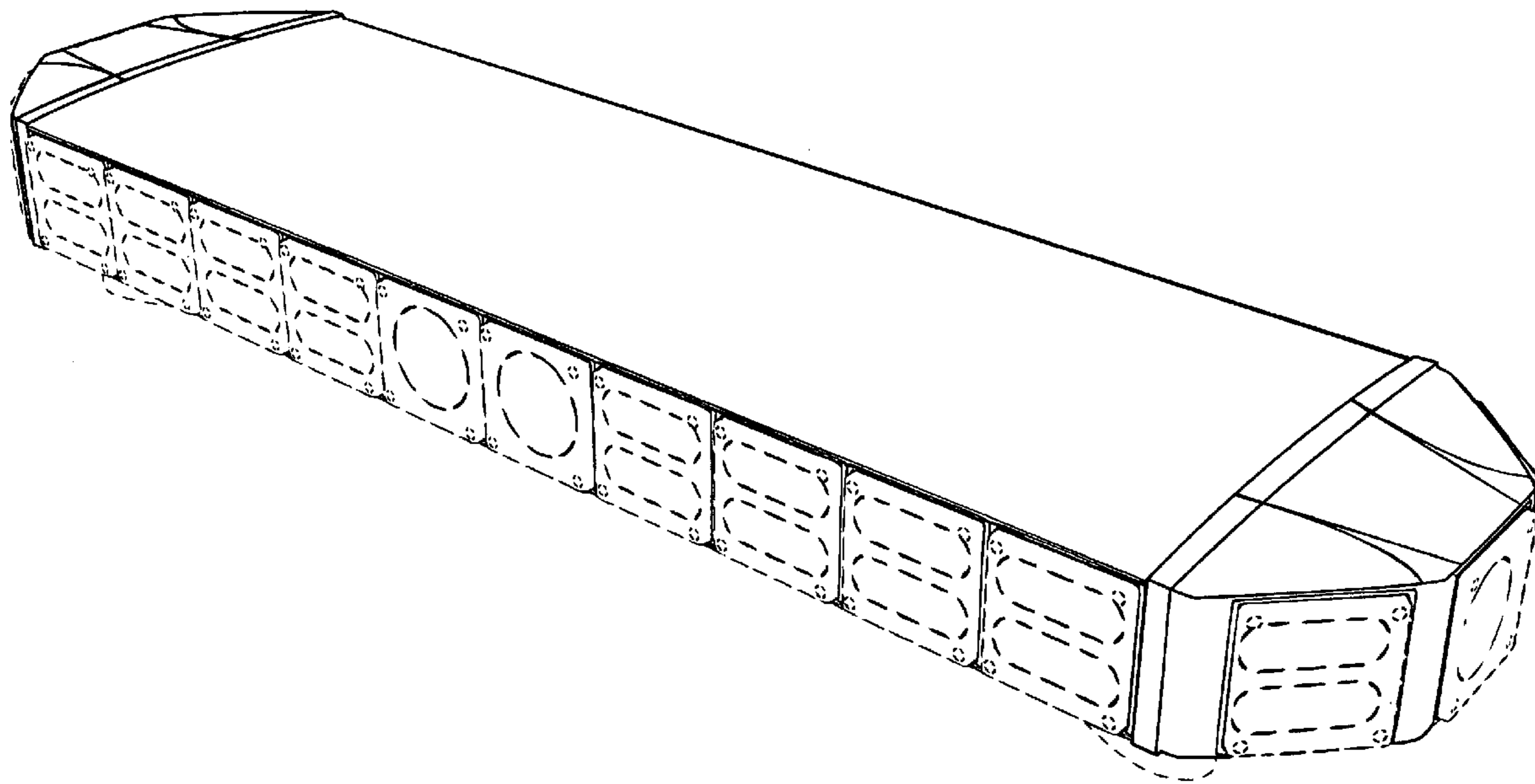
(56) **References Cited**

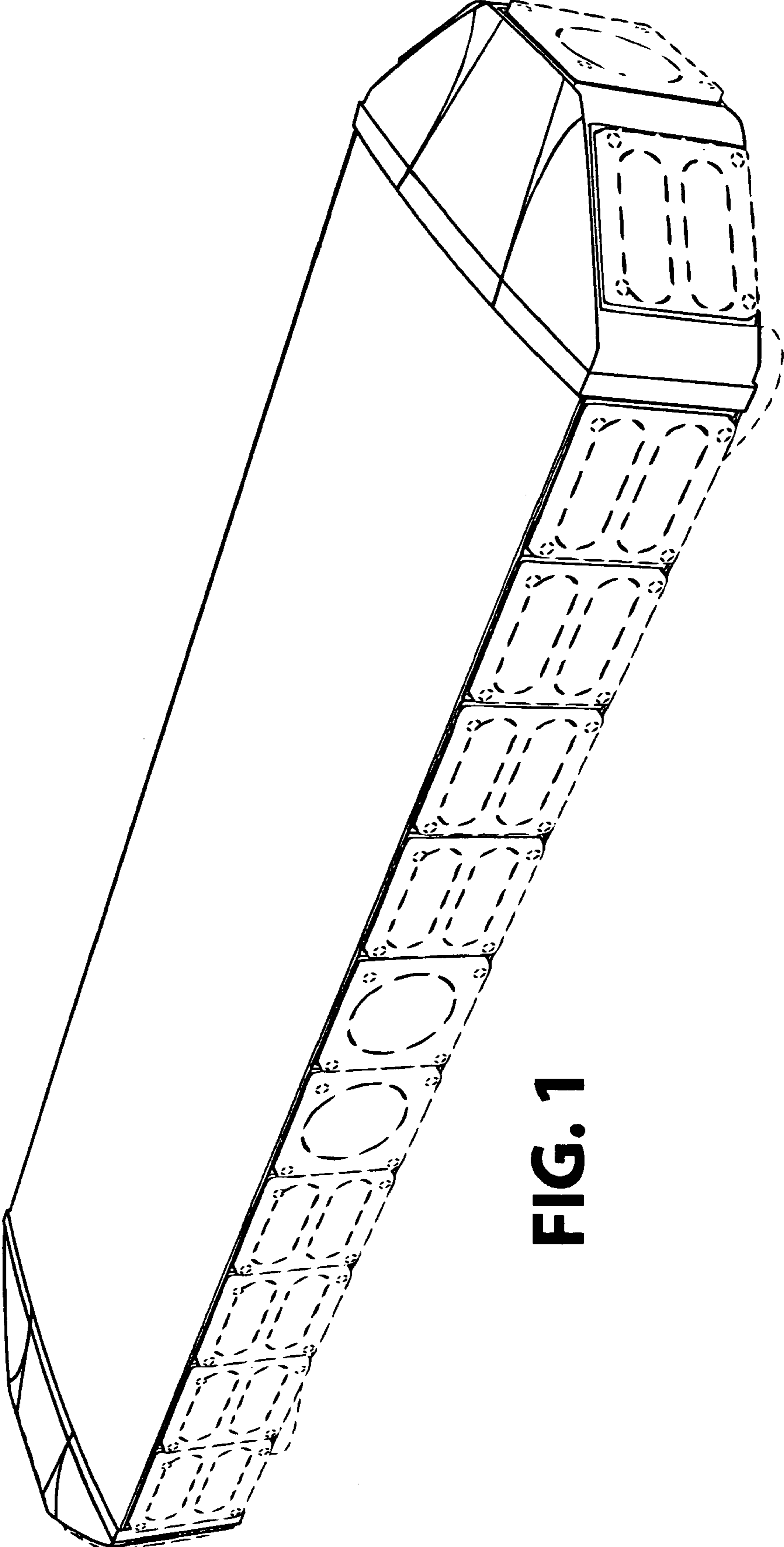
U.S. PATENT DOCUMENTS

D585,318 S \* 1/2009 Jalala ..... D10/114.4

D614,987 S \* 5/2010 Kaffash ..... D10/114.4

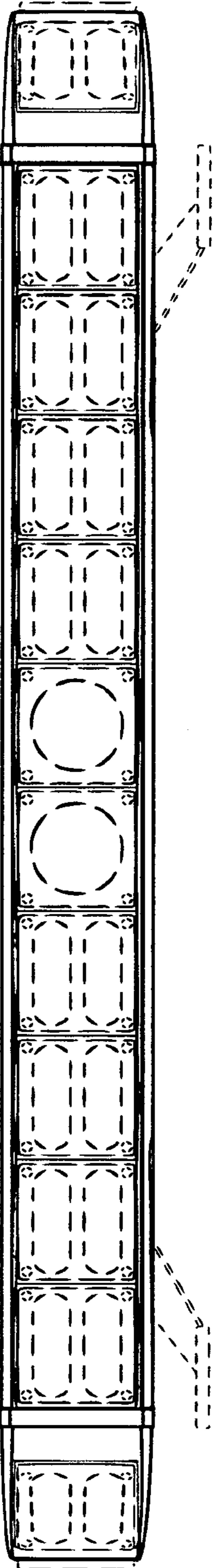
**1 Claim, 3 Drawing Sheets**



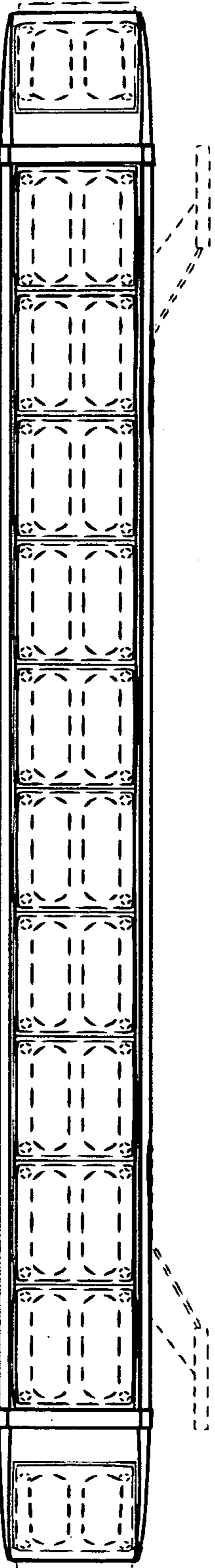


**FIG. 1**

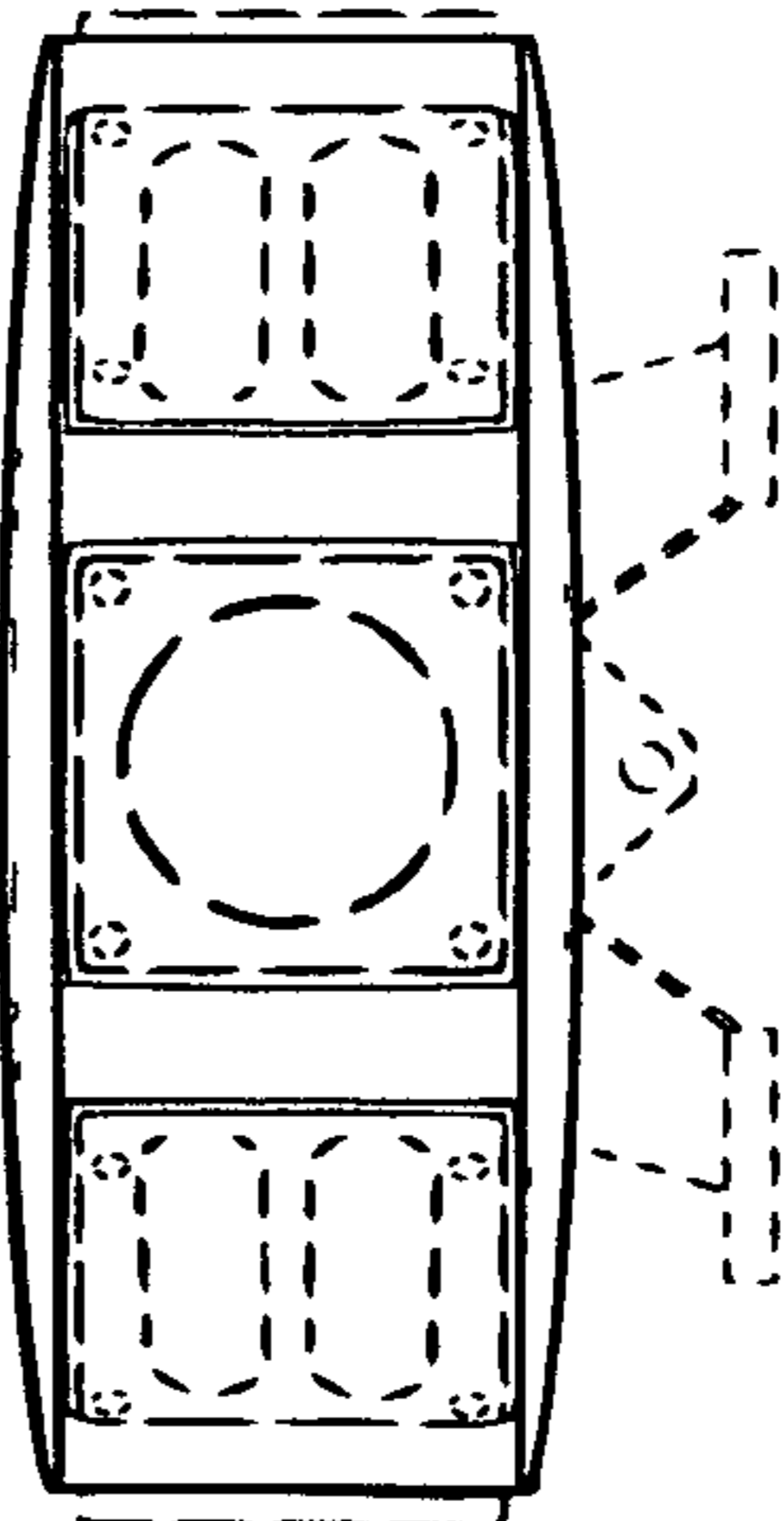
**FIG. 2**



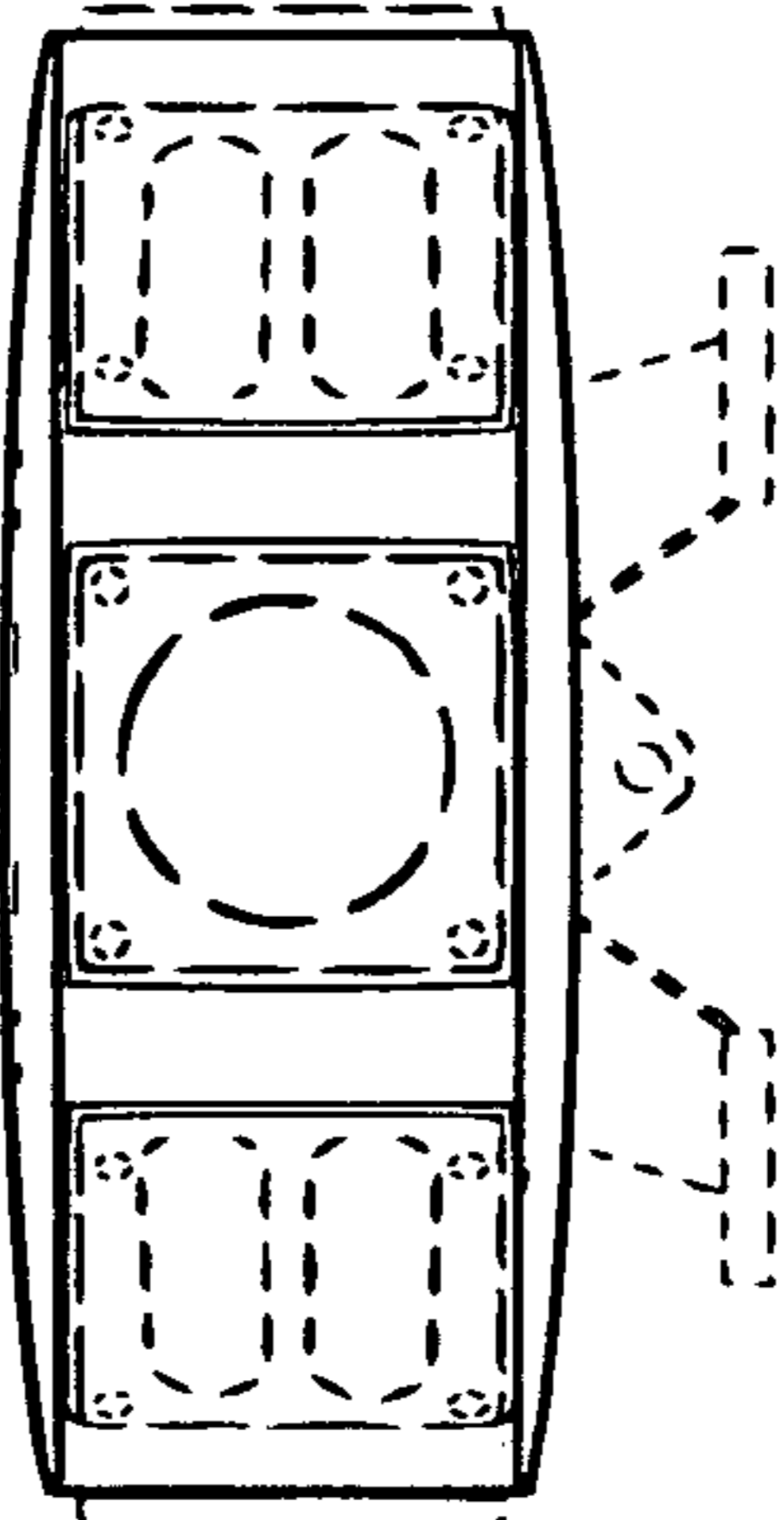
**FIG. 3**



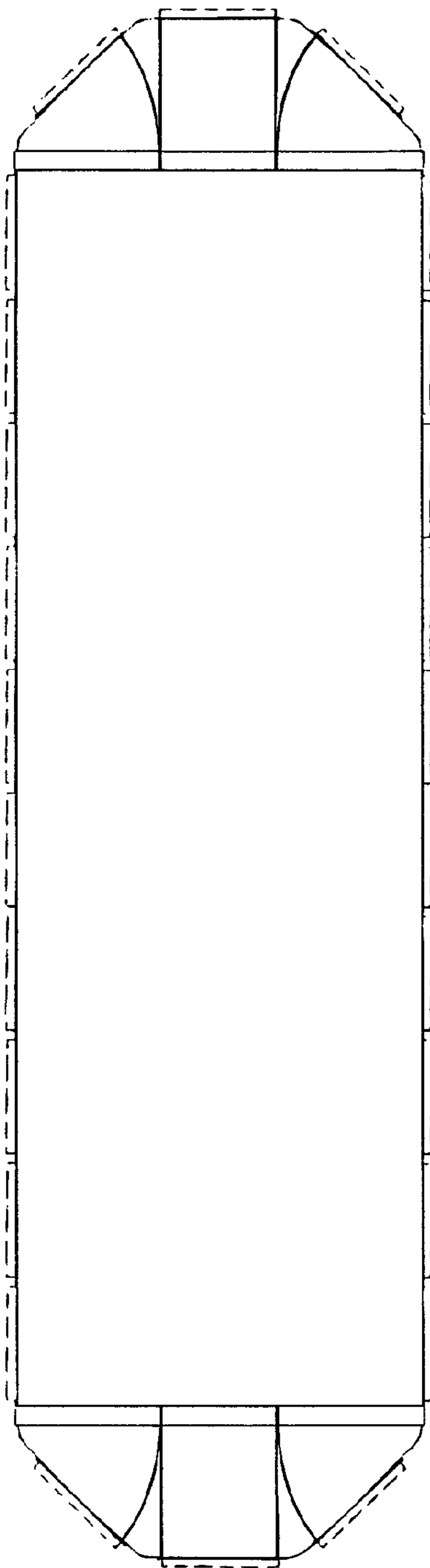
**FIG. 4**



**FIG. 5**



**FIG. 6**



**FIG. 7**

