



US00D649076S

(12) **United States Design Patent**
Alexander

(10) **Patent No.:** **US D649,076 S**

(45) **Date of Patent:** **** Nov. 22, 2011**

(54) **LENS MERCHANDISING SECURITY DEVICE**

(75) **Inventor:** **Christopher Alexander**, Hillsboro, OR (US)

(73) **Assignee:** **Merchandising Technologies, Inc.**, Hillsboro, OR (US)

(**) **Term:** **14 Years**

(21) **Appl. No.:** **29/389,216**

(22) **Filed:** **Apr. 7, 2011**

(51) **LOC (9) Cl.** **10-05**

(52) **U.S. Cl.** **D10/106.9**

(58) **Field of Classification Search** D10/104.1,
D10/106.9, 106.94, 106.5; 340/572.3-572.8;
D16/203, 208, 217, 134, 202
See application file for complete search history.

(56) **References Cited**

U.S. PATENT DOCUMENTS

D433,953 S * 11/2000 Woznicki et al. D10/106.5
D455,166 S * 4/2002 Raad et al. D16/203

D563,444 S * 3/2008 Brickzin D16/202
D643,056 S * 8/2011 Zaliauskas et al. D16/203
2011/0195786 A1* 8/2011 Wells 463/42

* cited by examiner

Primary Examiner — Caron D Veynar

Assistant Examiner — George D Kirschbaum

(74) *Attorney, Agent, or Firm* — Bruce A. Kaser

(57) **CLAIM**

The ornamental design for a lens merchandising security device, as shown and described.

DESCRIPTION

FIG. 1 is a perspective view of a lens merchandising security device, showing my new design;

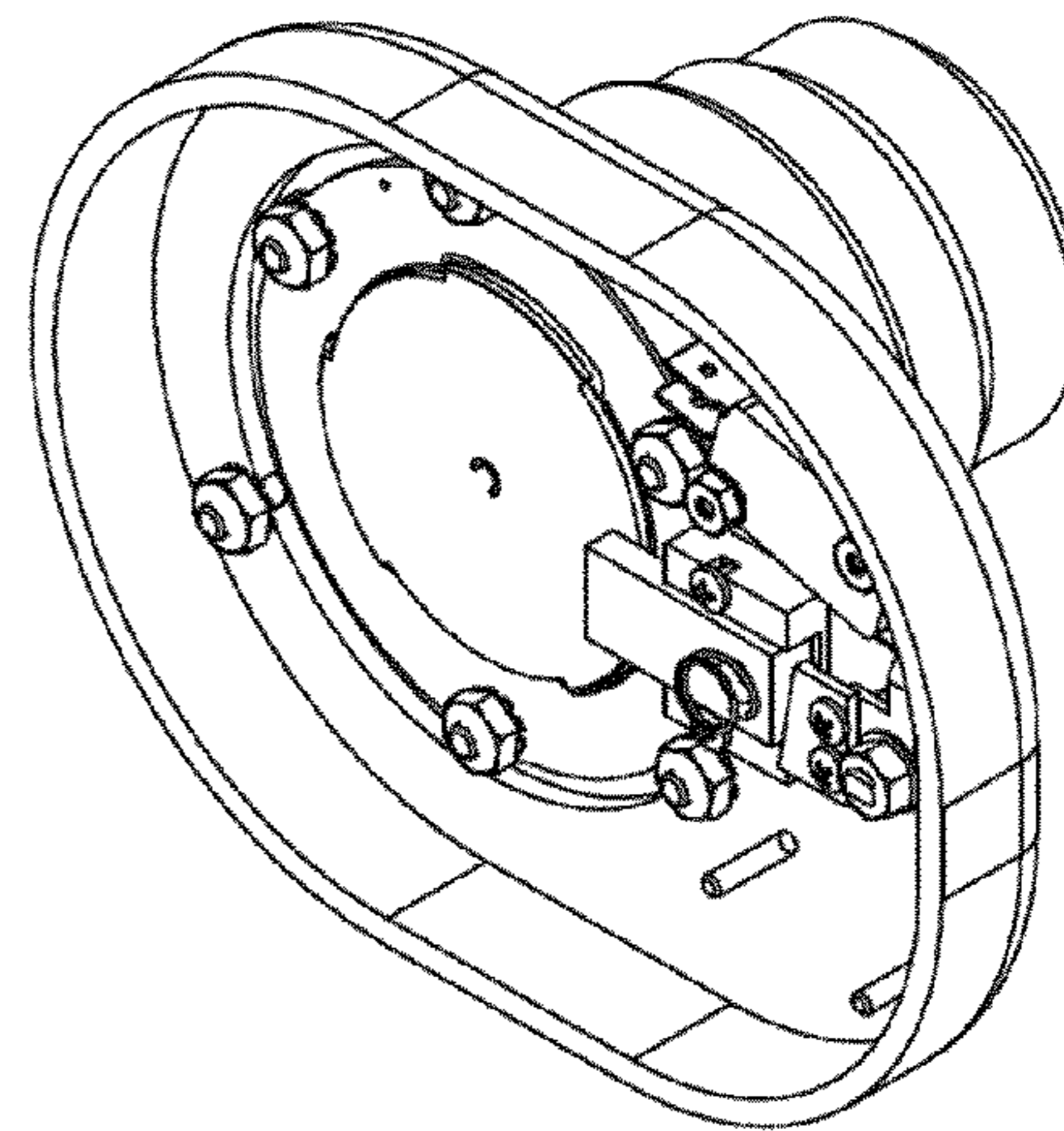
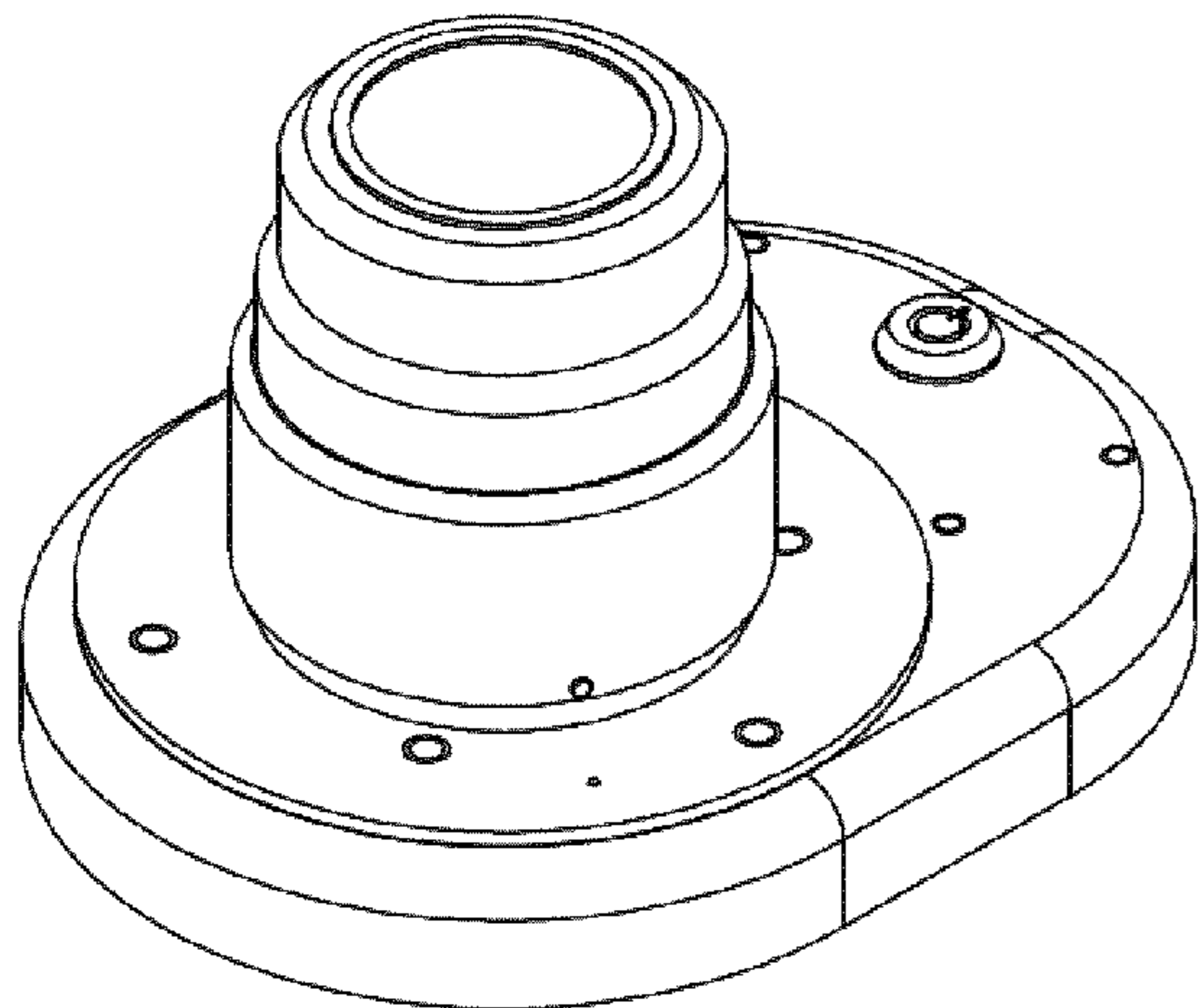
FIG. 2 is a top view thereof;

FIG. 3 is a side view thereof, looking at the left-hand side of my design;

FIG. 4 is a side view thereof, looking at the right-hand side of my design; and,

FIG. 5 is a perspective view thereof, showing my new design from the bottom.

1 Claim, 2 Drawing Sheets



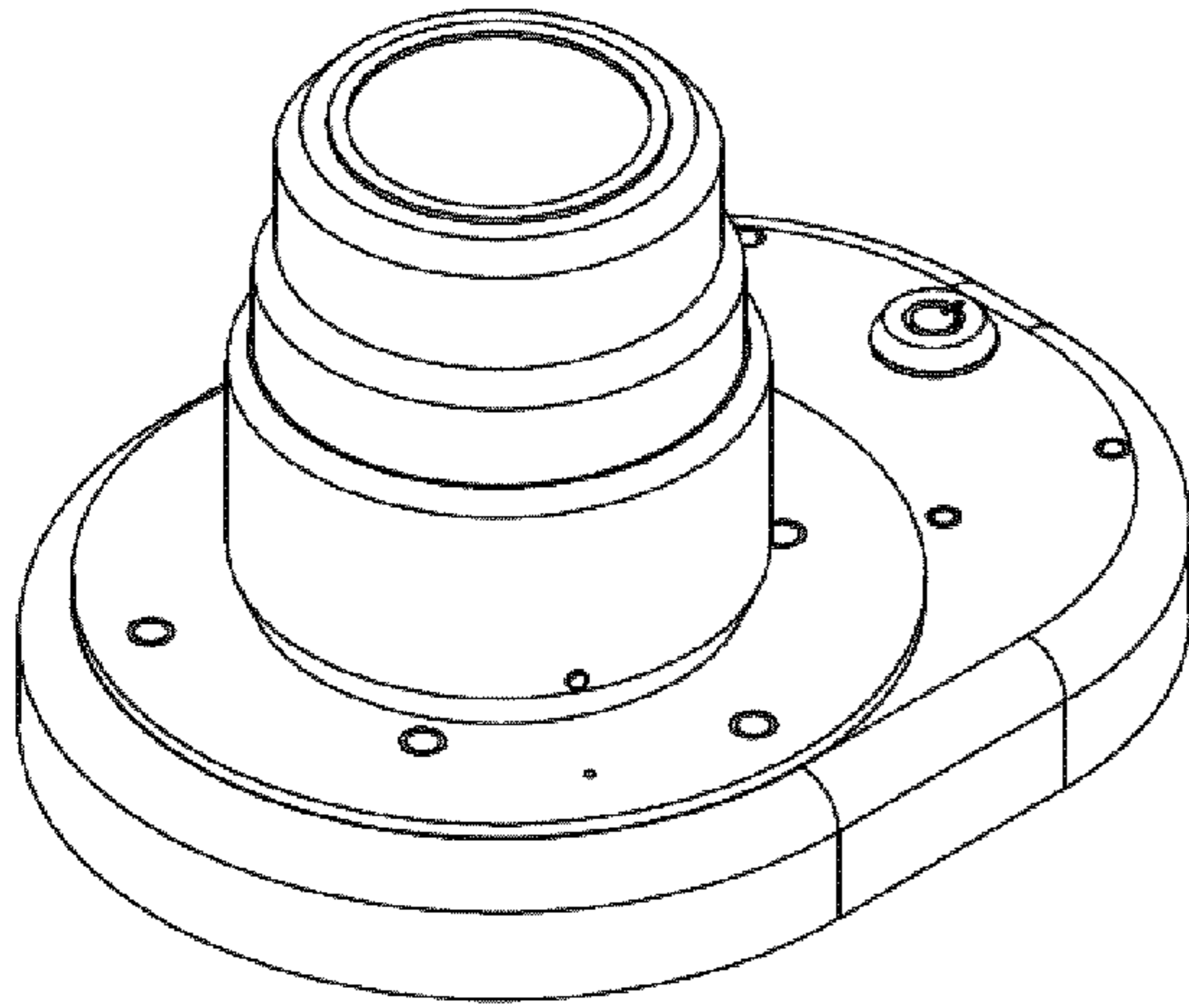


Fig. 1

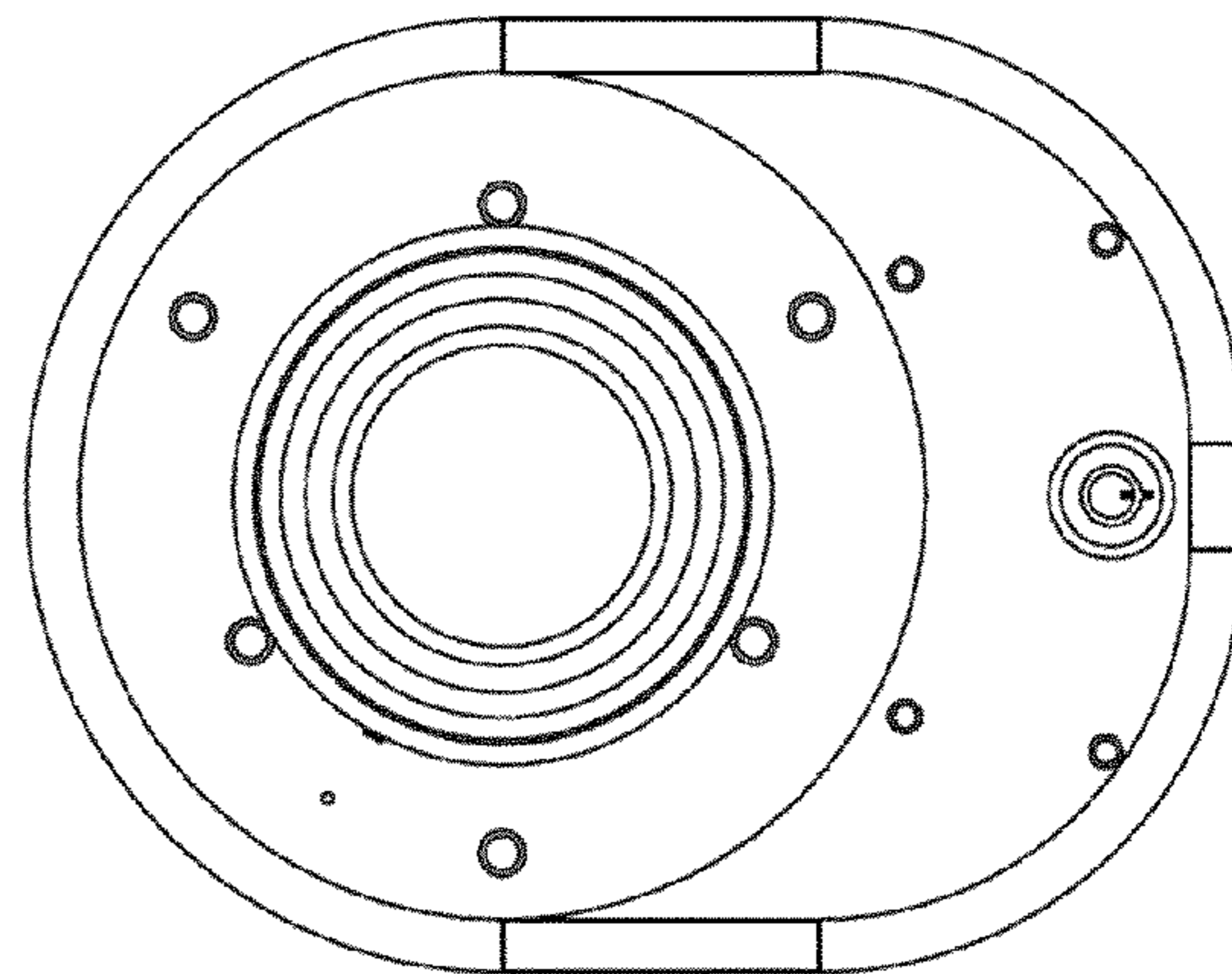


Fig. 2

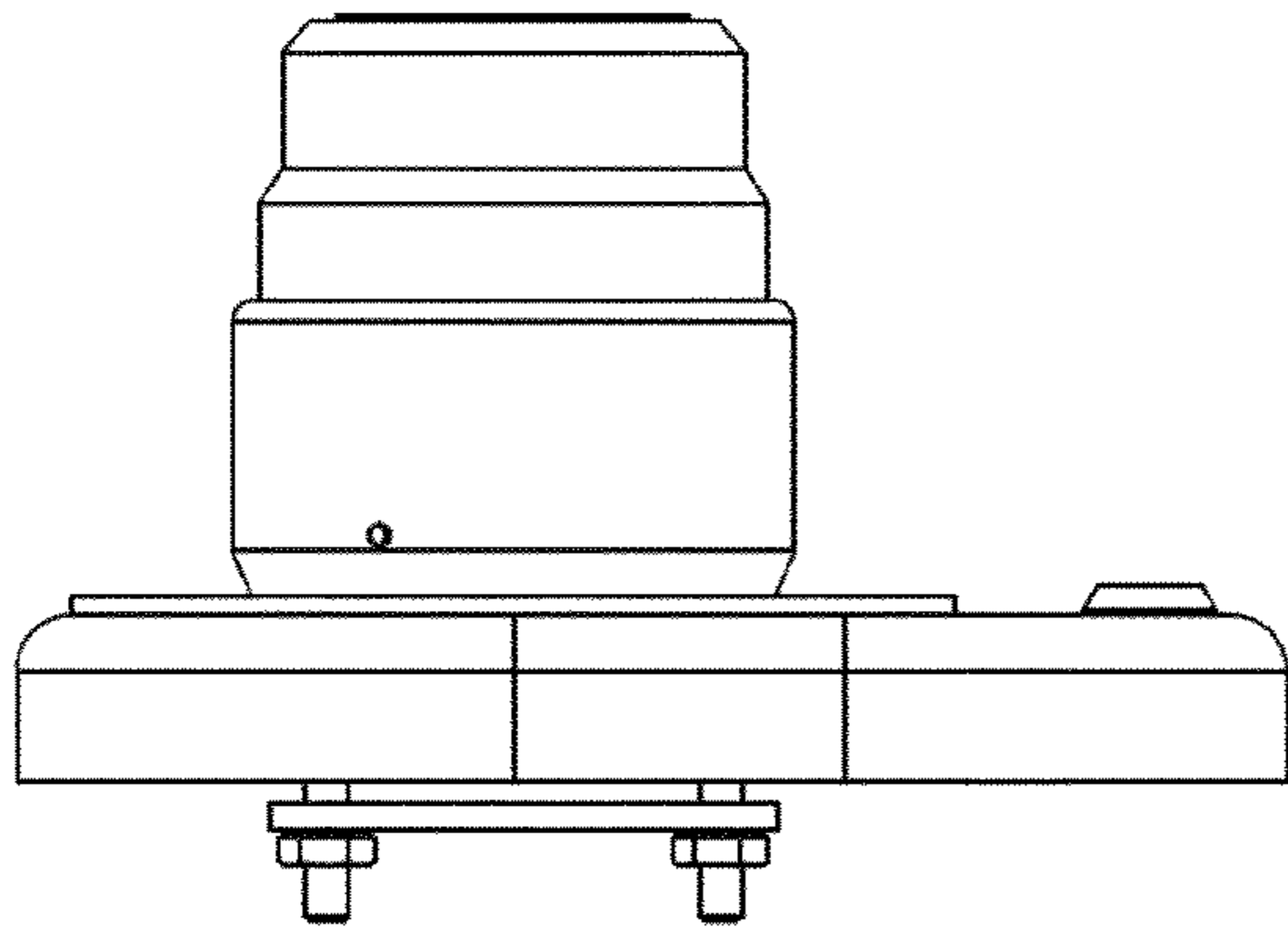


Fig. 3

Fig. 4

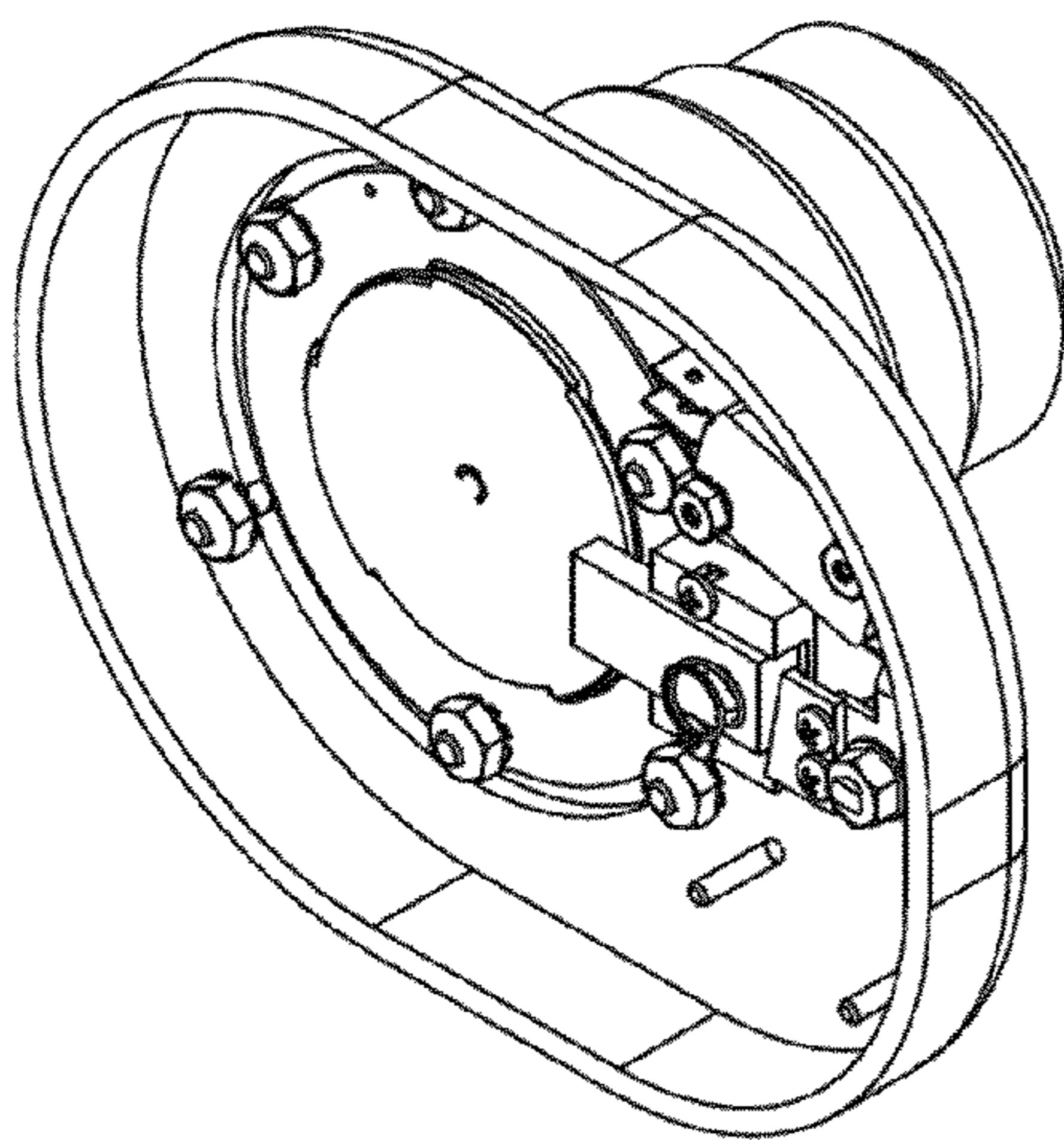
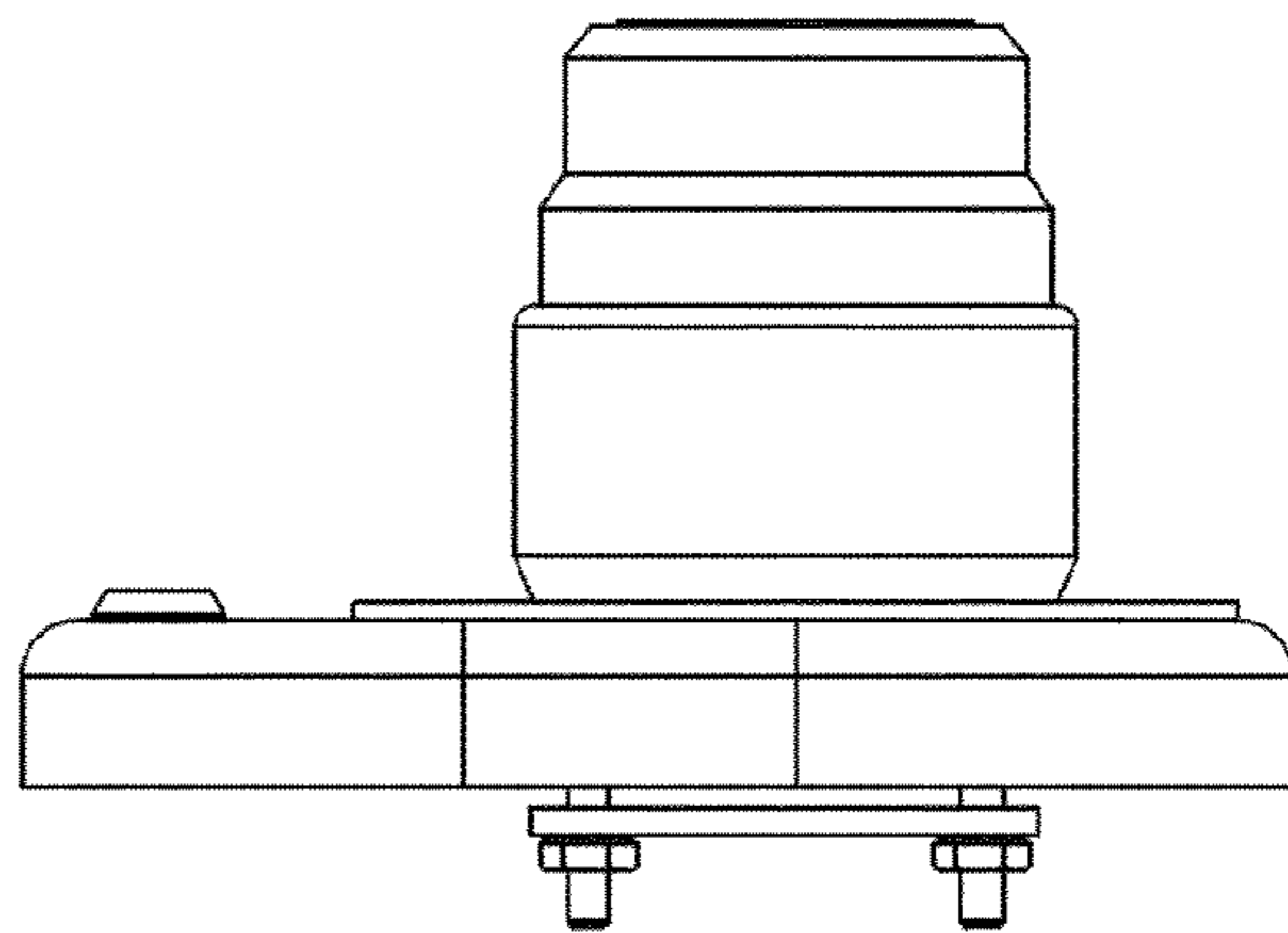


Fig. 5