



US00D649075S

(12) **United States Design Patent**
Chan et al.

(10) **Patent No.:** **US D649,075 S**
(45) **Date of Patent:** **** Nov. 22, 2011**

(54) **ANALYSIS INSTRUMENT**

(76) Inventors: **Eric Chan**, New York, NY (US);
Shigeru Gary Natsume, New York, NY
(US); **Jeffrey Miller**, New York, NY
(US); **Justin Waldinger**, New York, NY
(US); **Takayoshi Hanagata**, Newport
News, VA (US)

(**) Term: **14 Years**

(21) Appl. No.: **29/368,944**

(22) Filed: **Aug. 31, 2010**

(51) **LOC (9) Cl.** **10-04**

(52) **U.S. Cl.** **D10/81**

(58) **Field of Classification Search** D10/78,
D10/94; D24/216, 232, 234; 702/32, 19;
600/300; 455/569.2; 324/72.5, 110, 114,
324/115, 149, 151 A, 158 F, 156, 556, 133,
324/503, 543, 555, 66, 72, 754; 340/653,
340/660, 635; 439/482; 422/63-83, 99,
422/100, 58, 61, 82.05; 423/43; 436/164,
436/166, 169, 605; 356/246; 362/119; 435/14,
435/283.1, 287.1, 4, 970; 378/46, 47, 79;
73/23.41, 23.36, 61.55, 61.56

See application file for complete search history.

(56) **References Cited**

U.S. PATENT DOCUMENTS

7,603,888 B2 * 10/2009 Zilioli 73/23.41
7,873,143 B2 * 1/2011 Dunham et al. 378/79

* cited by examiner

Primary Examiner — Antoine D Davis

(74) *Attorney, Agent, or Firm* — Rothwell, Figg, Ernst &
Manbeck, pc

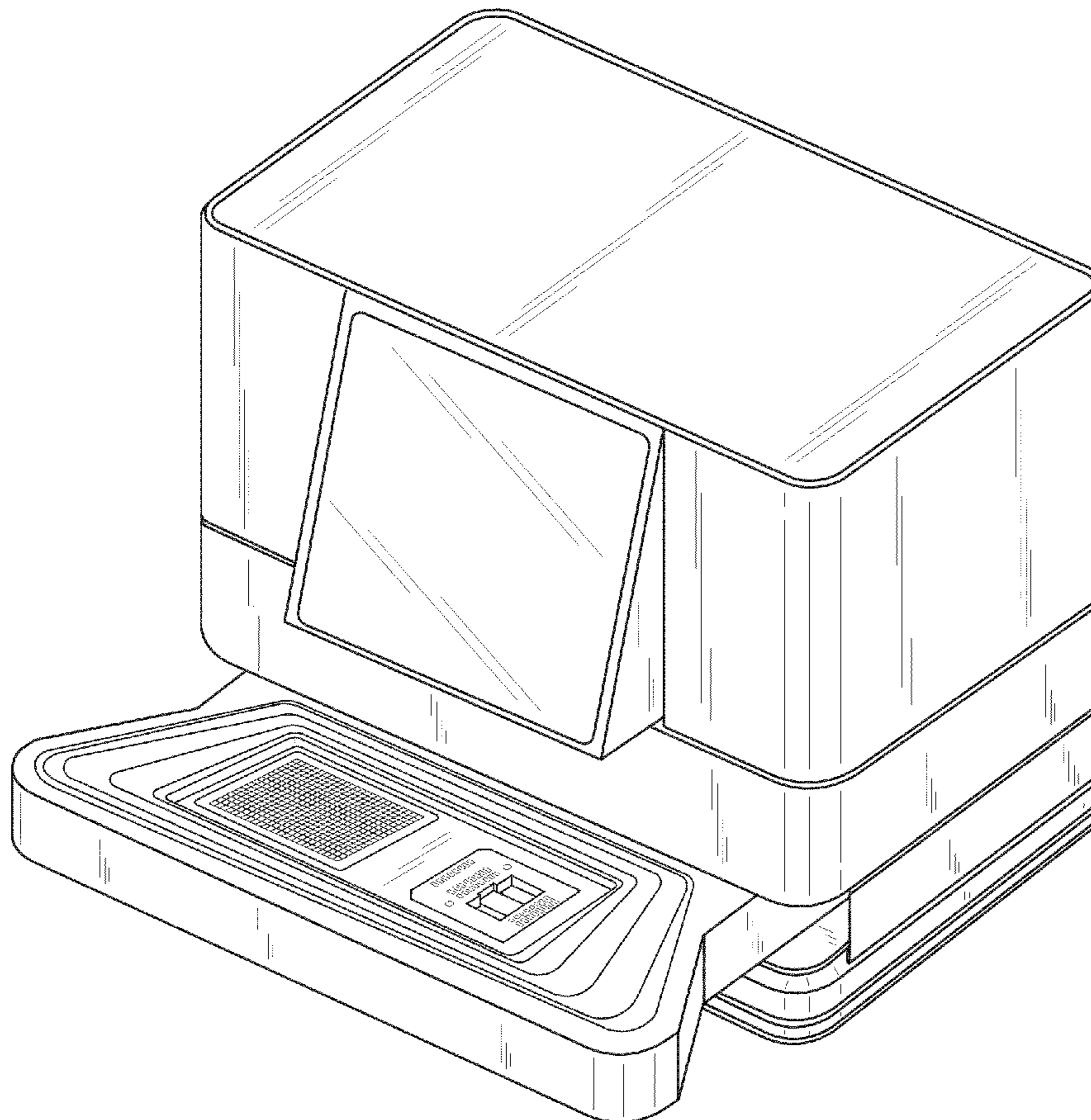
(57) **CLAIM**

The ornamental design for an analysis instrument, as shown
and described.

DESCRIPTION

FIG. 1 is a perspective view of an analysis instrument.
FIG. 2 is a front view of an analysis instrument.
FIG. 3 is a rear view of an analysis instrument.
FIG. 4 is a top plan view of an analysis instrument.
FIG. 5 is a bottom plan view of an analysis instrument.
FIG. 6 is a side view of an analysis instrument in which the left
and right sides identical.
FIG. 7 is a perspective view of an analysis instrument; and,
FIG. 8 is a perspective view of an analysis instrument.

1 Claim, 6 Drawing Sheets



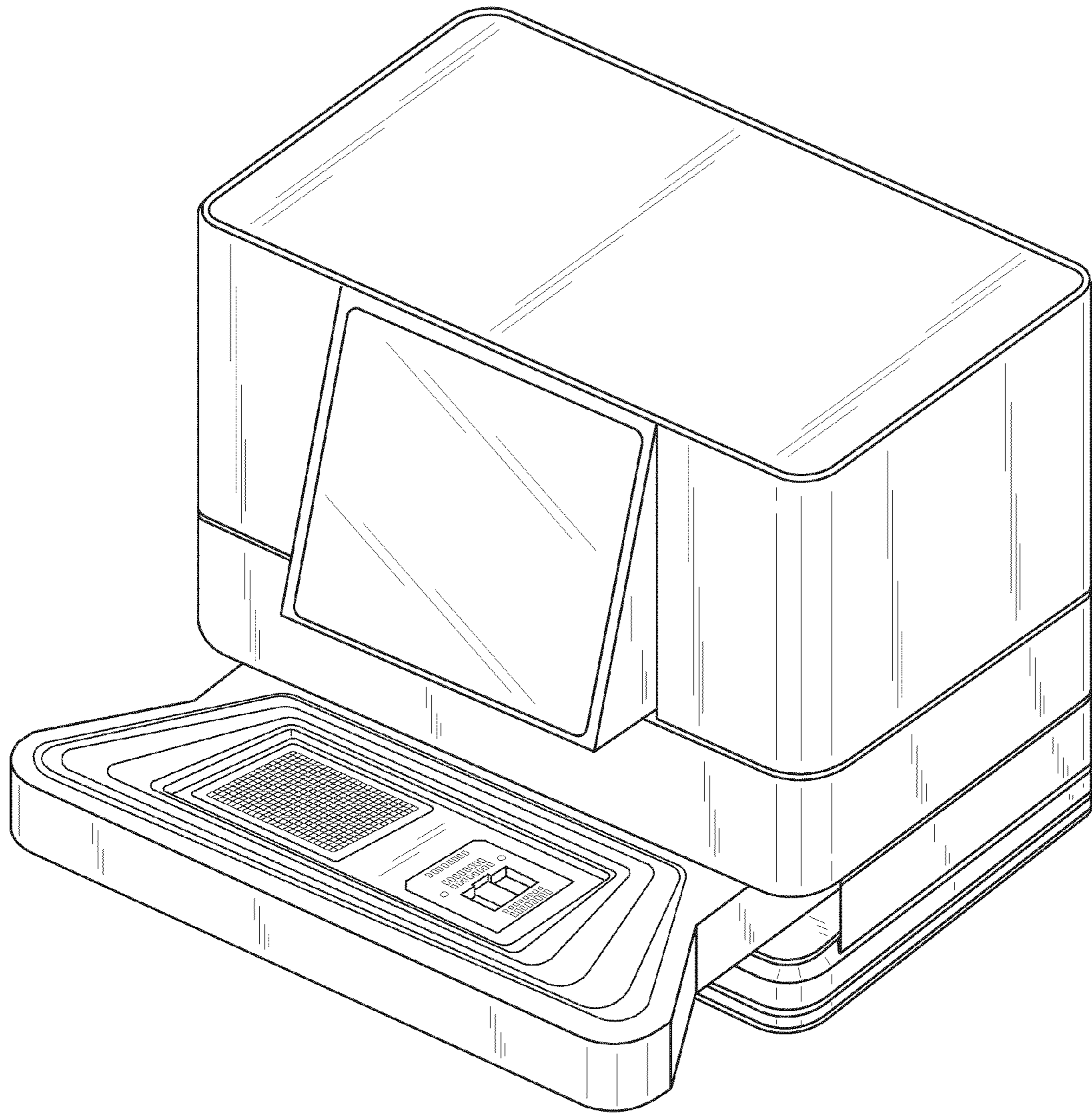


FIG.1

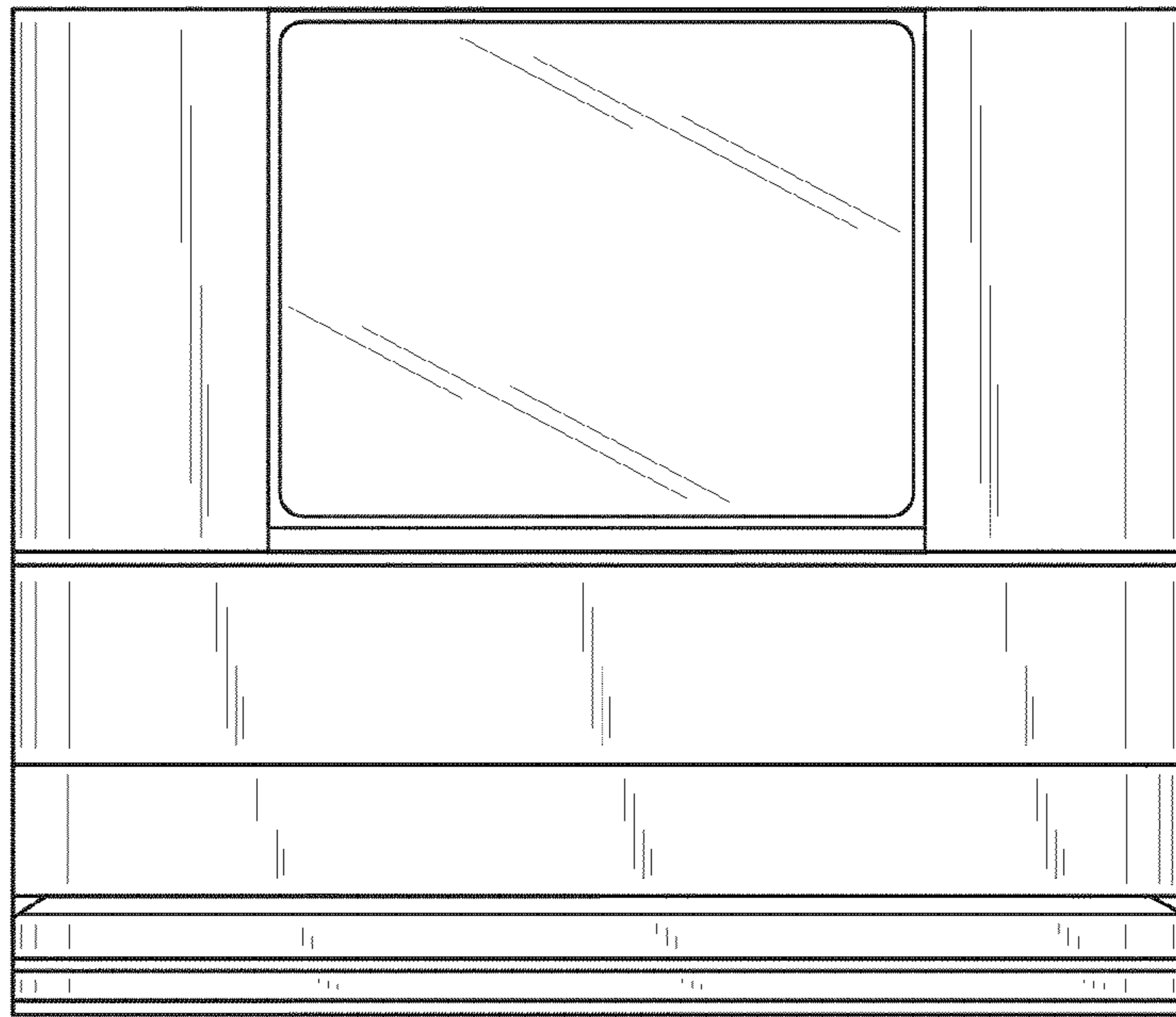


FIG.2

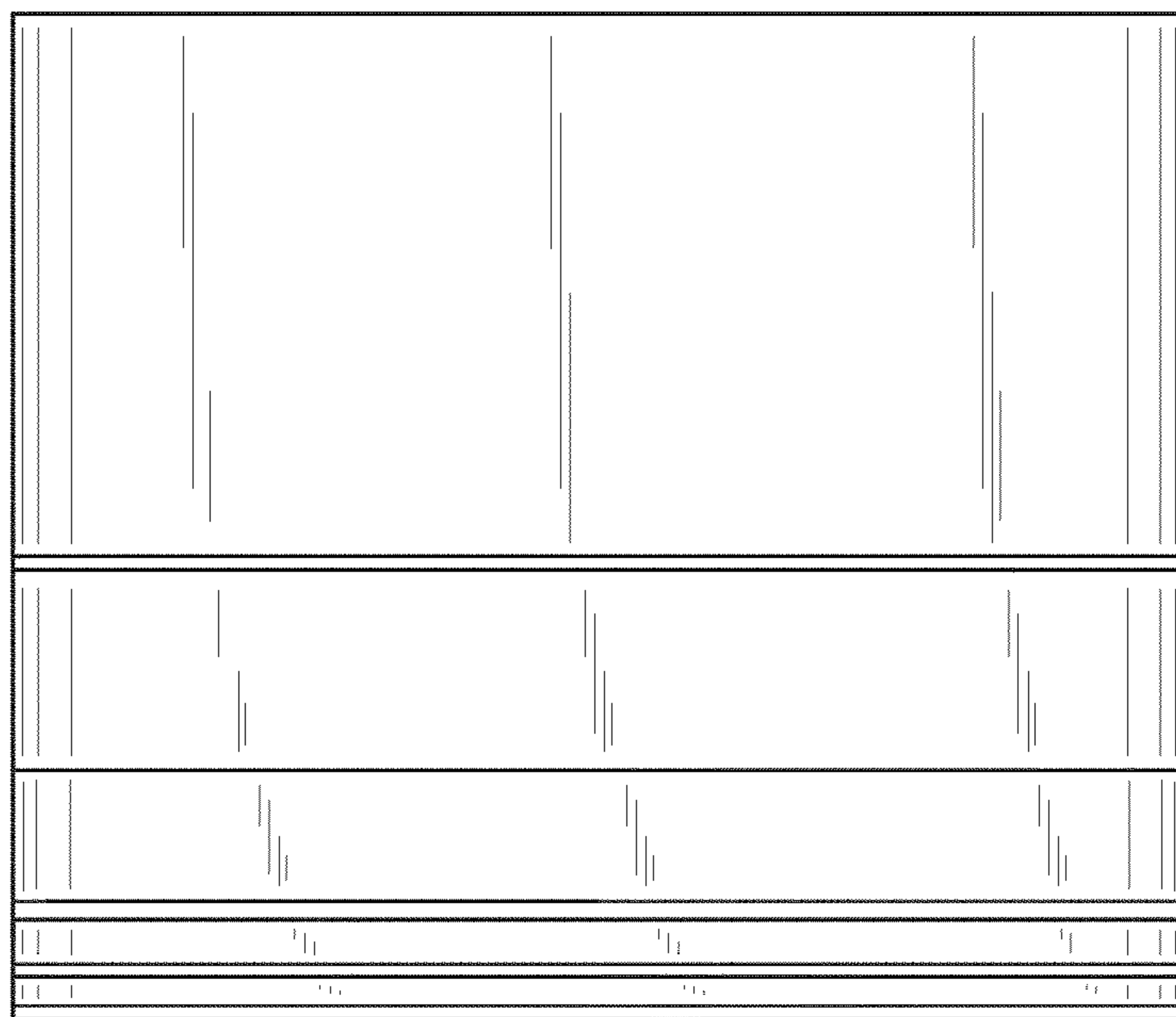


FIG.3

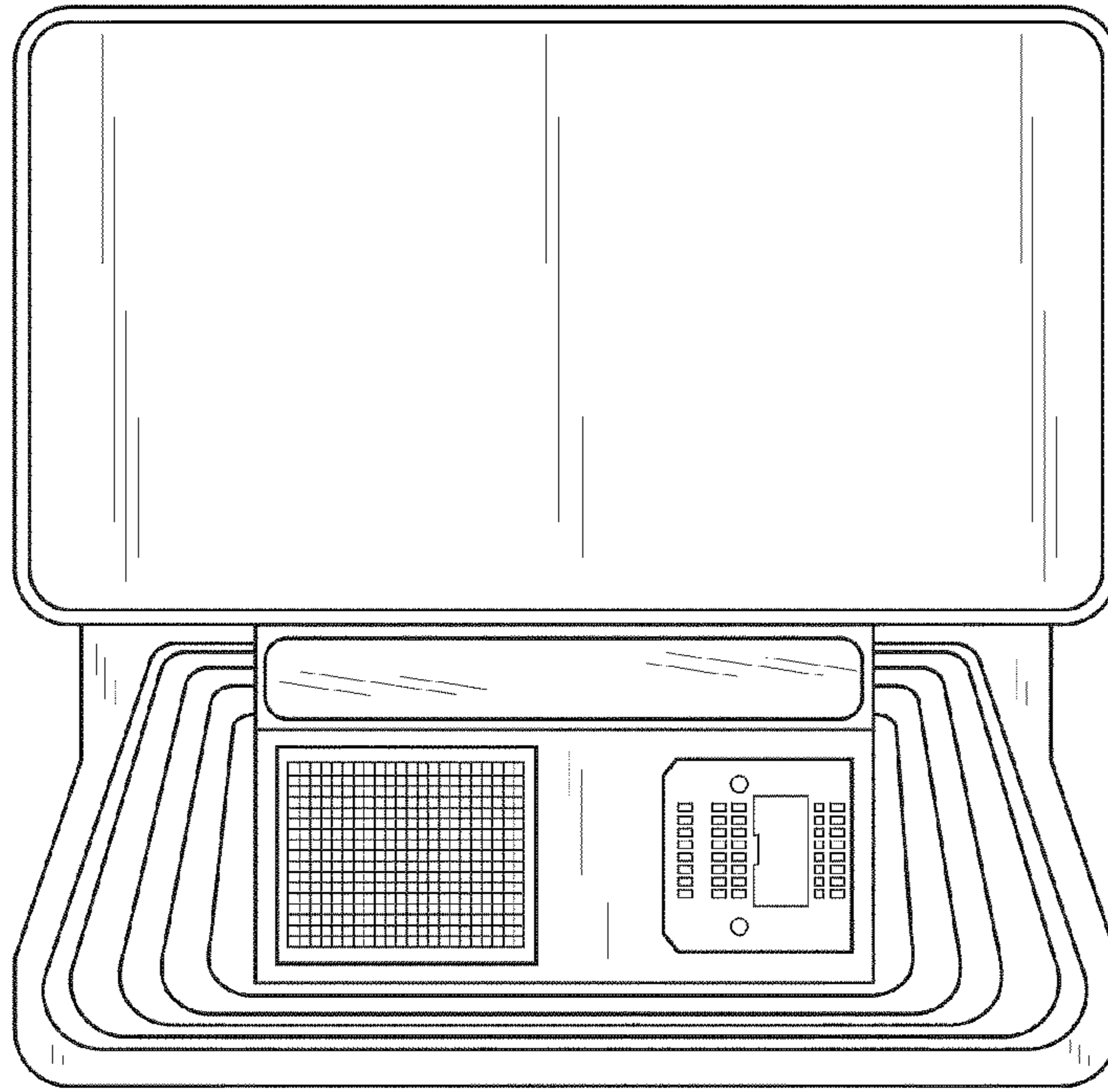


FIG. 4

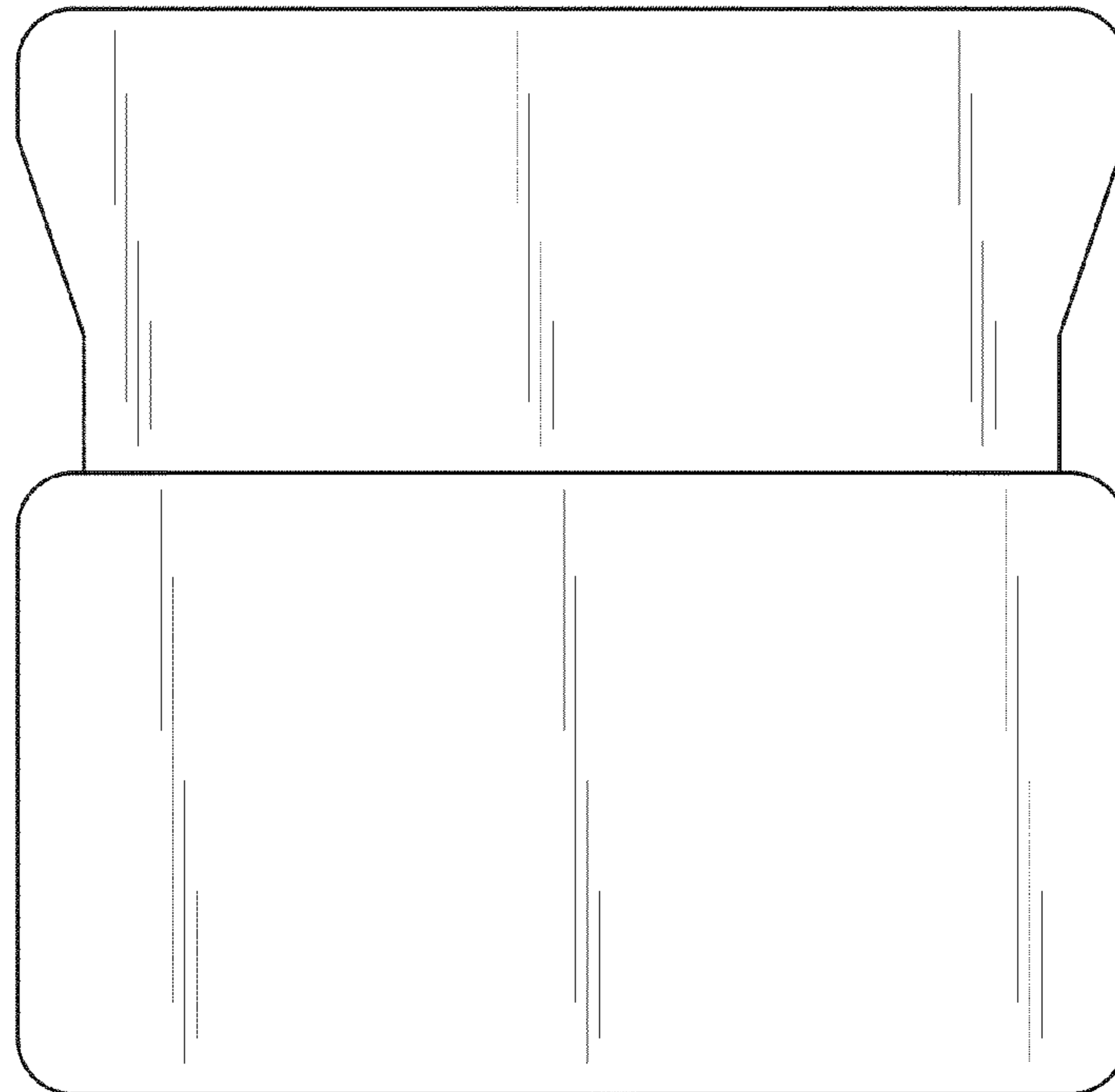


FIG. 5

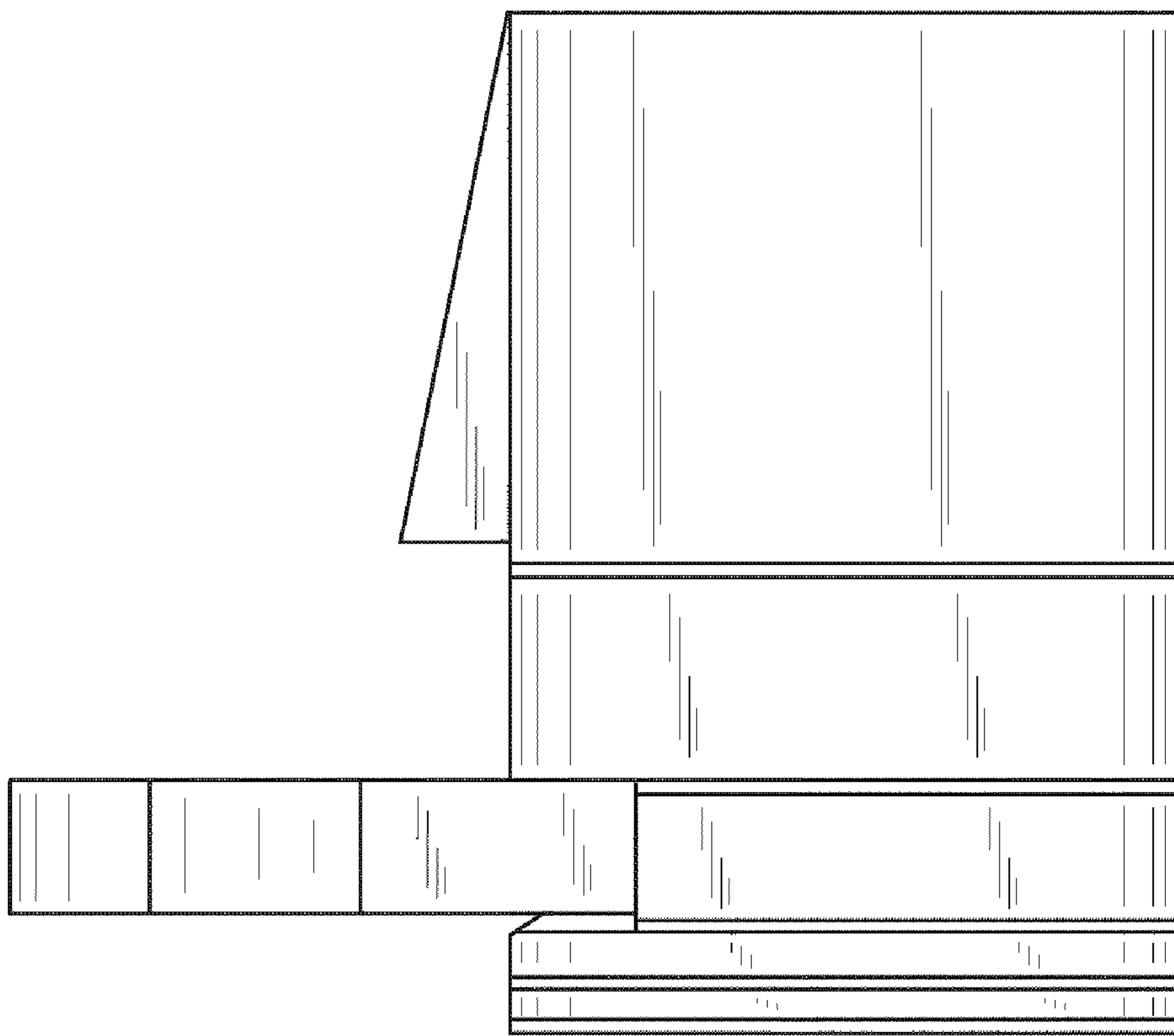


FIG.6

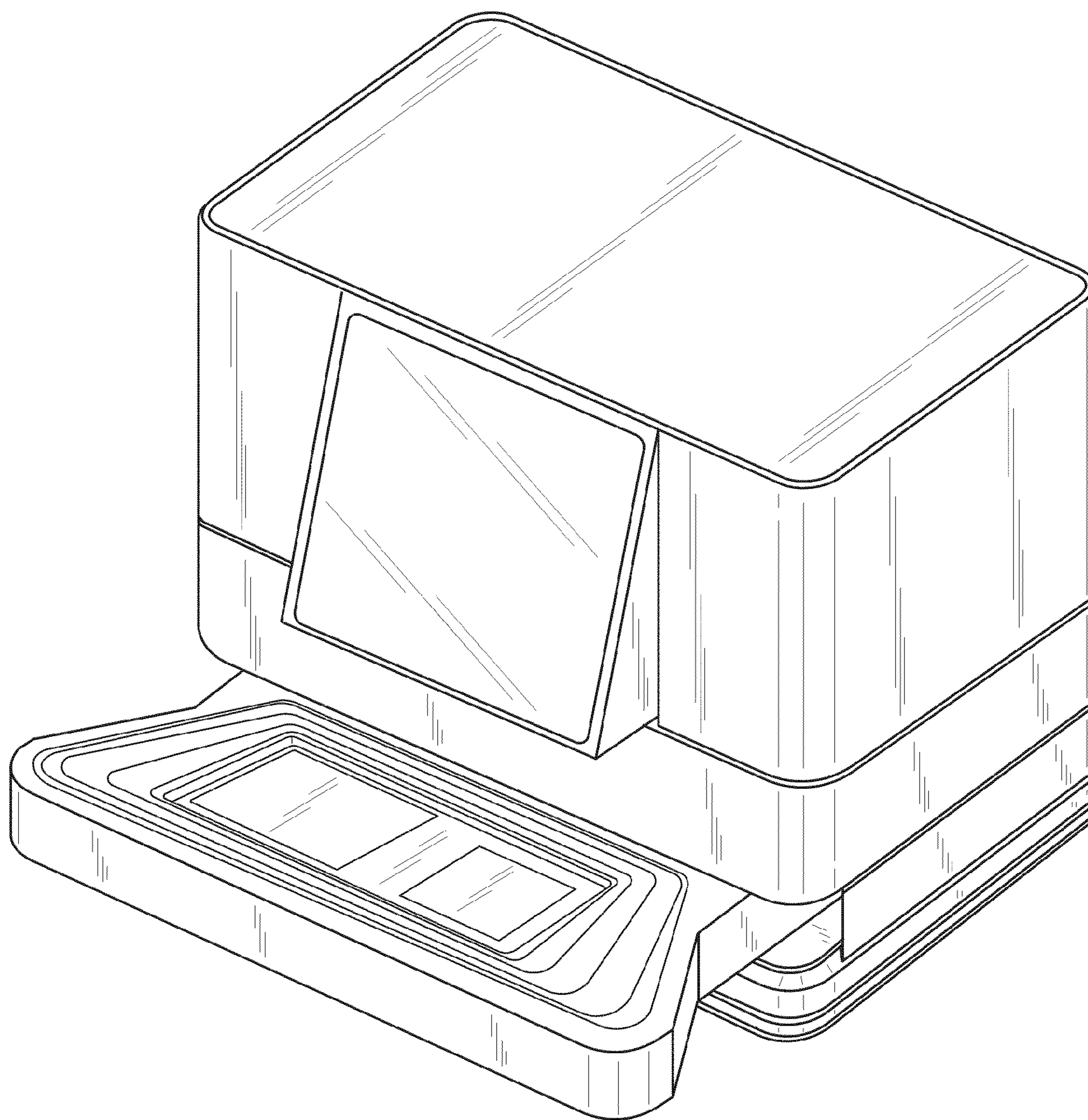


FIG.7

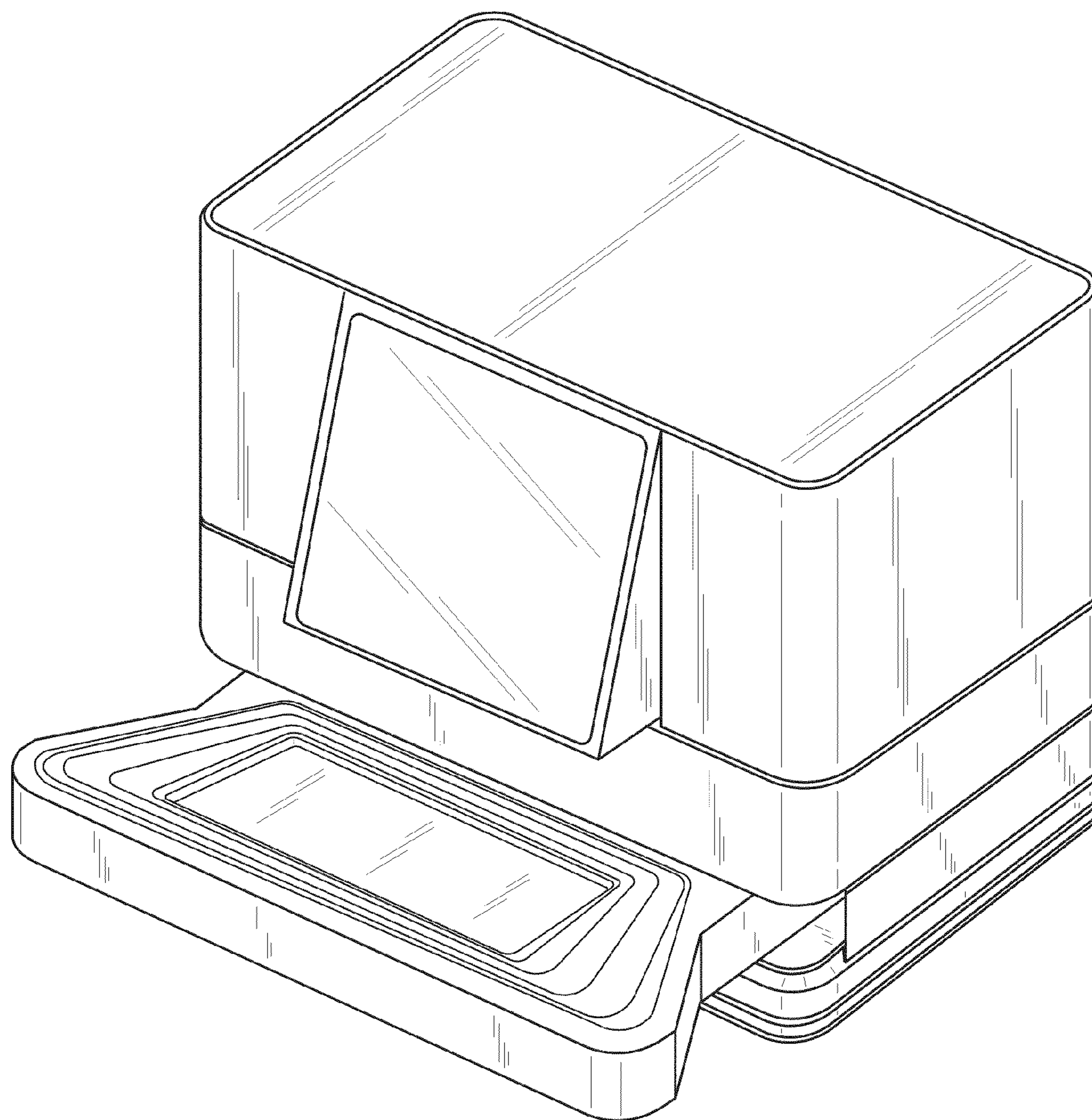


FIG.8