



US00D649073S

(12) **United States Design Patent**  
**Baskinger et al.**

(10) **Patent No.:** **US D649,073 S**

(45) **Date of Patent:** **\*\* Nov. 22, 2011**

(54) **THERMOSTAT MOUNT AND HOUSING**

(76) Inventors: **Mark J. Baskinger**, Pittsburgh, PA (US); **George J. Mongell**, Pittsburgh, PA (US); **Azizan Abdul-Aziz**, Pittsburgh, PA (US); **Jason R. May**, Pittsburgh, PA (US)

(\*\*) Term: **14 Years**

(21) Appl. No.: **29/376,843**

(22) Filed: **Oct. 13, 2010**

(51) **LOC (9) Cl.** ..... **10-04**

(52) **U.S. Cl.** ..... **D10/60; D10/49; D10/50**

(58) **Field of Classification Search** ..... D10/49-50, D10/60; D13/162; 55/270, 274, 279, DIG. 7, 55/34; 62/176.6, 125-130, 78, 180, 186; 73/23.2, 23.34, 31.01, 31.02, 431, 170.16-170.19, 73/170.21-170.25, 863.12, 29, 29.02, 335.01-335.14; 236/46 R, 47, 94, 44 C, 44 R, 49.3, 44 A, 236/96; 337/112, 327, 360; 340/602, 627, 340/632, 634; 361/346; 364/141, 146, 147, 364/188, 420, 557; 454/229, 239, 256, 257, 454/258; 700/18, 159, 181  
See application file for complete search history.

(56) **References Cited**

**U.S. PATENT DOCUMENTS**

D577,616 S \* 9/2008 Edgar ..... D10/50  
D578,415 S \* 10/2008 Edgar ..... D10/50

D592,982 S \* 5/2009 Burt et al. .... D10/50  
D598,305 S \* 8/2009 Li et al. .... D10/50  
D613,625 S \* 4/2010 Schneor ..... D10/49

\* cited by examiner

*Primary Examiner* — Antoine D Davis

(74) *Attorney, Agent, or Firm* — Duane A. Stewart, III; Buchanan Ingersoll & Rooney PC

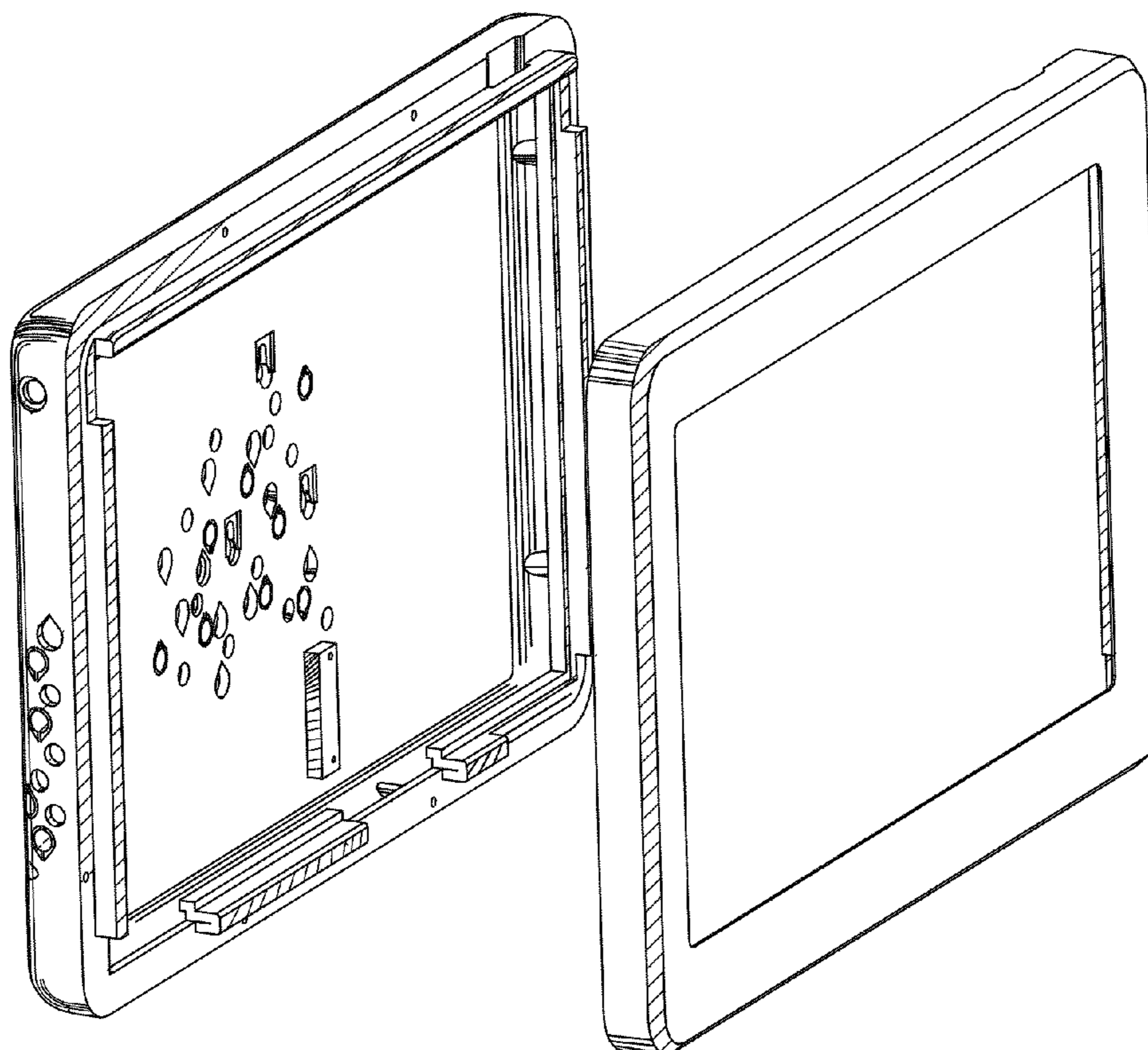
(57) **CLAIM**

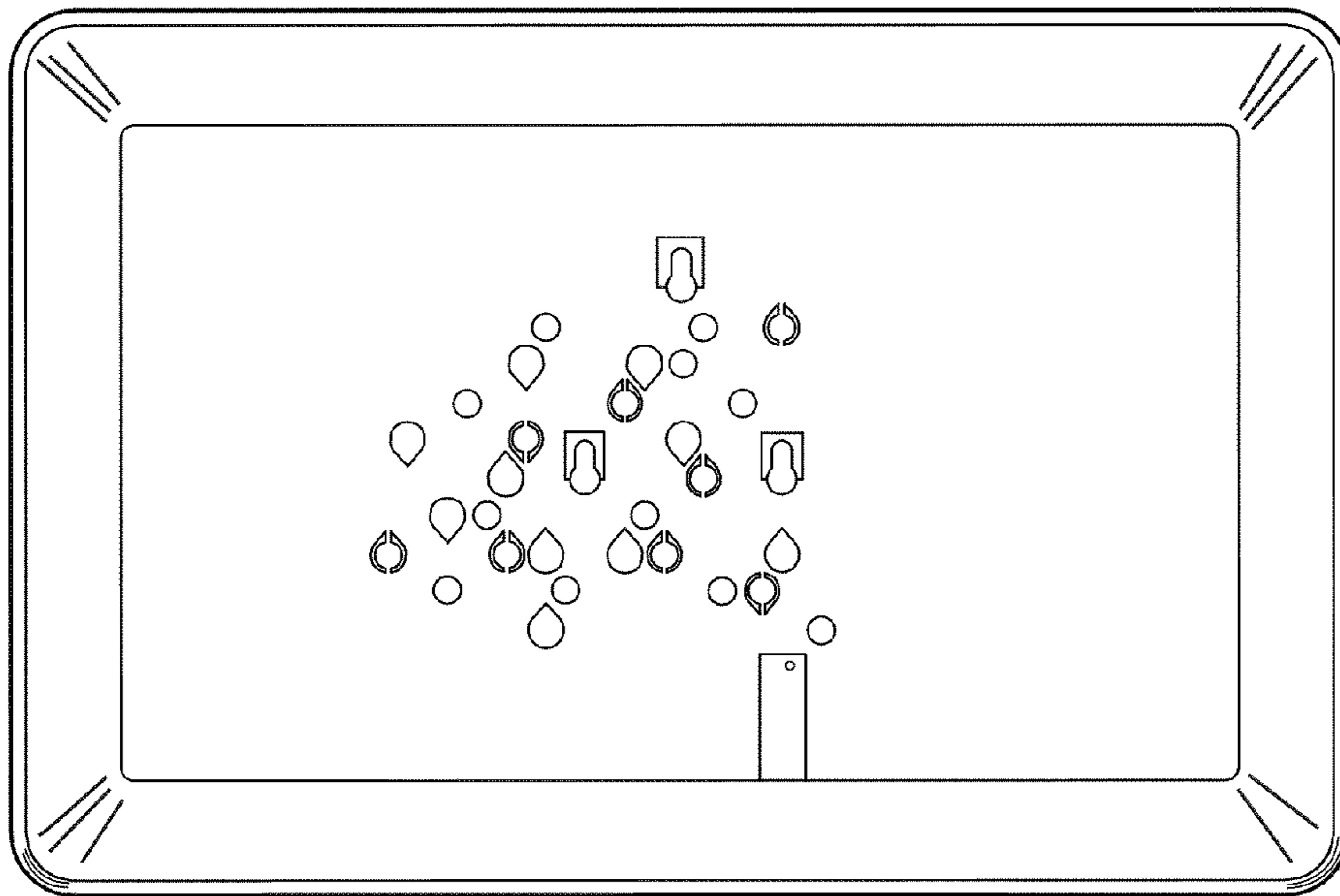
The ornamental design for a thermostat mount and housing, as shown and described.

**DESCRIPTION**

FIG. 1 is a front view of a housing showing my new design; FIG. 2 is a top view thereof; FIG. 3 is a rear view thereof; FIG. 4 is a bottom view thereof; FIG. 5 is a right side view thereof; FIG. 6 is a left side view thereof; FIG. 7 is an exploded view thereof; FIG. 8 is a left side exploded view thereof; FIG. 9 is a view showing connectivity of a housing and mount; FIG. 10 shows a left side plan view of a housing and mount; FIG. 11 shows a side view of a mount showing my new design, with the other side view being identical; FIG. 12 shows a bottom view thereof; FIG. 13 shows a perspective view thereof; and, FIG. 14 shows a front view thereof.

**1 Claim, 14 Drawing Sheets**

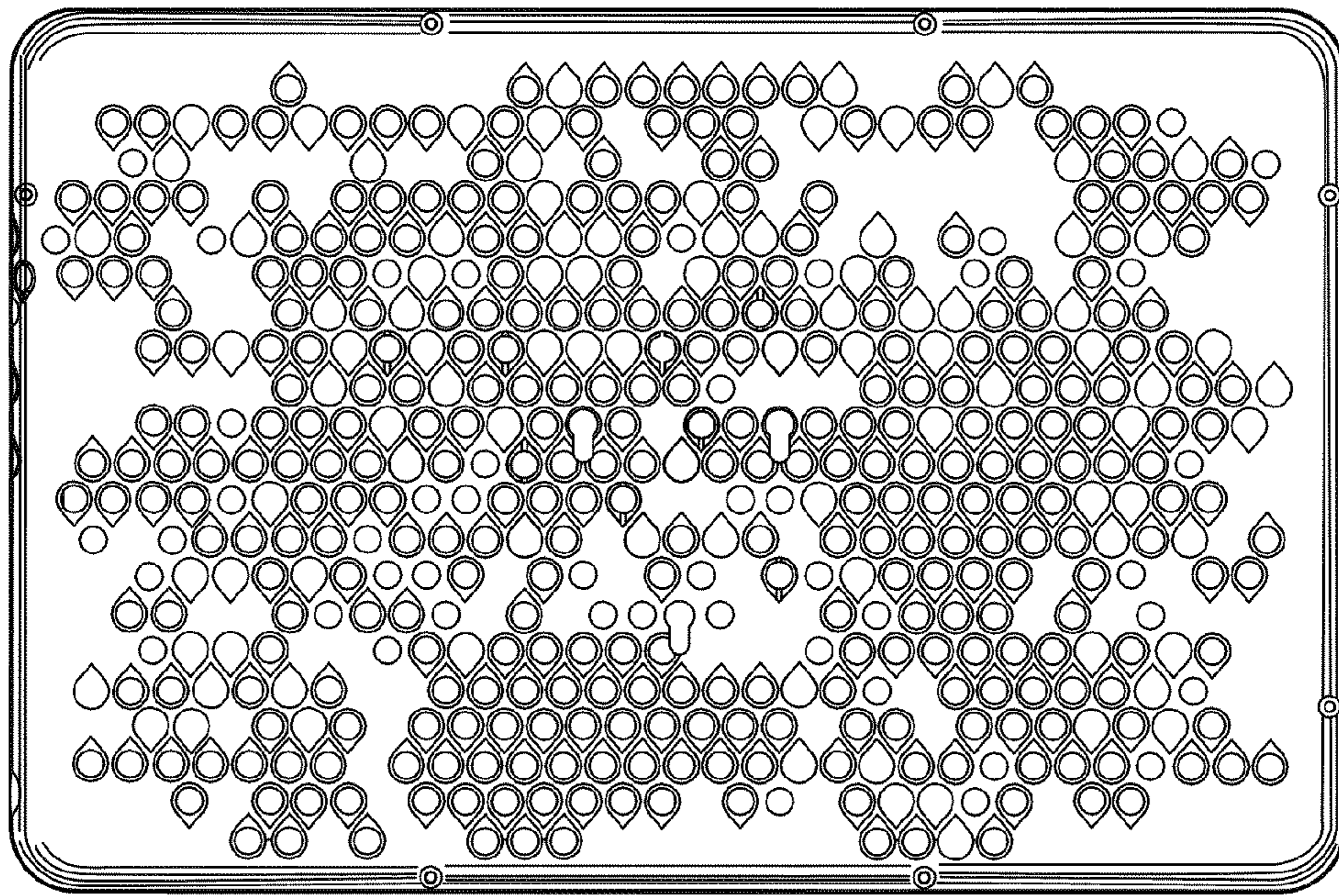




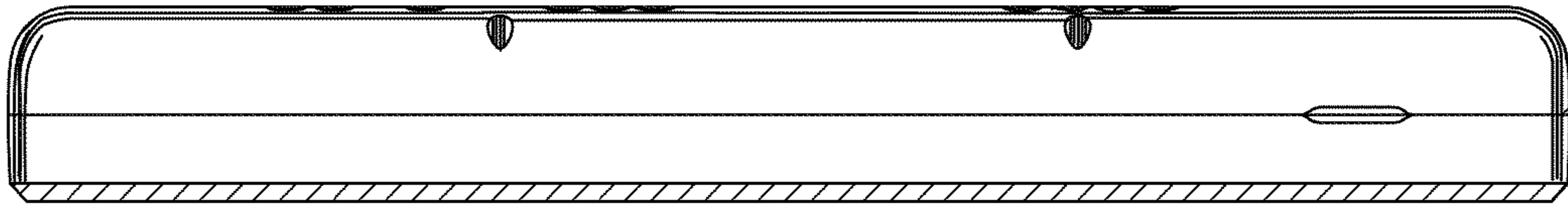
*Figure 1*



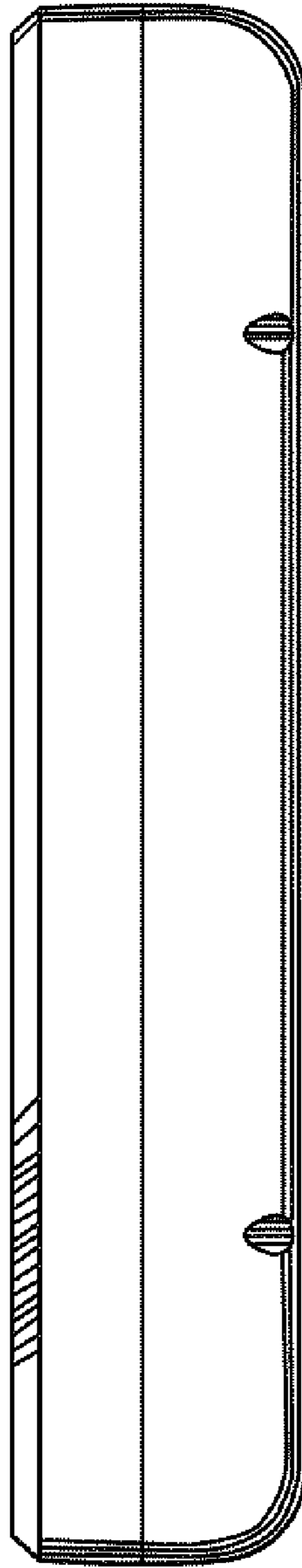
*Figure 2*



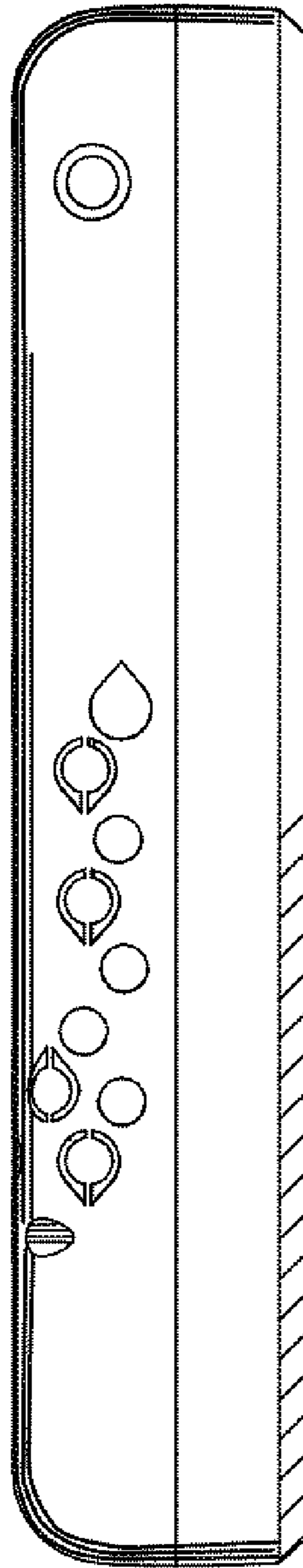
*Figure 3*



*Figure 4*



*Figure 5*



*Figure 6*

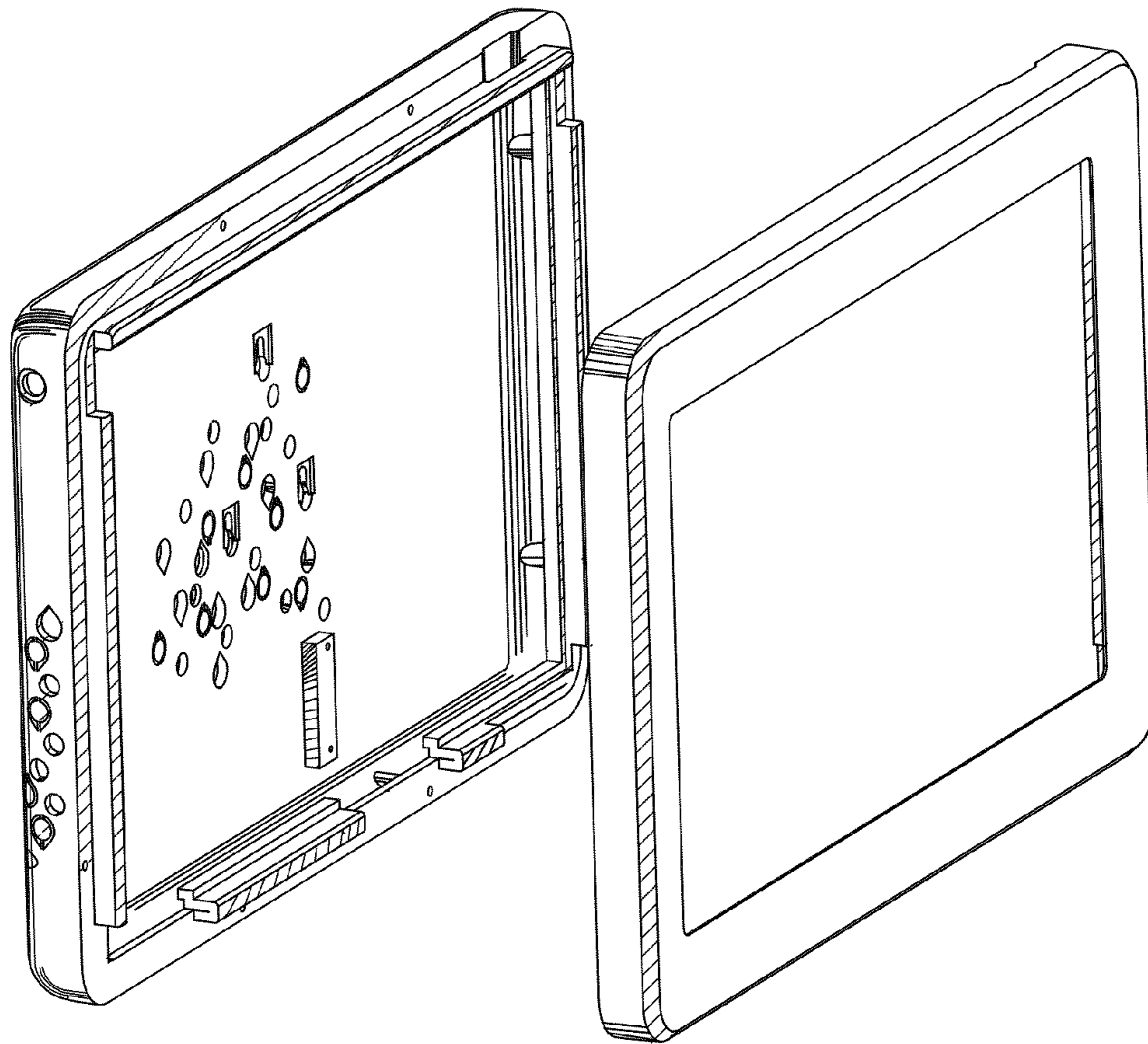


Figure 7



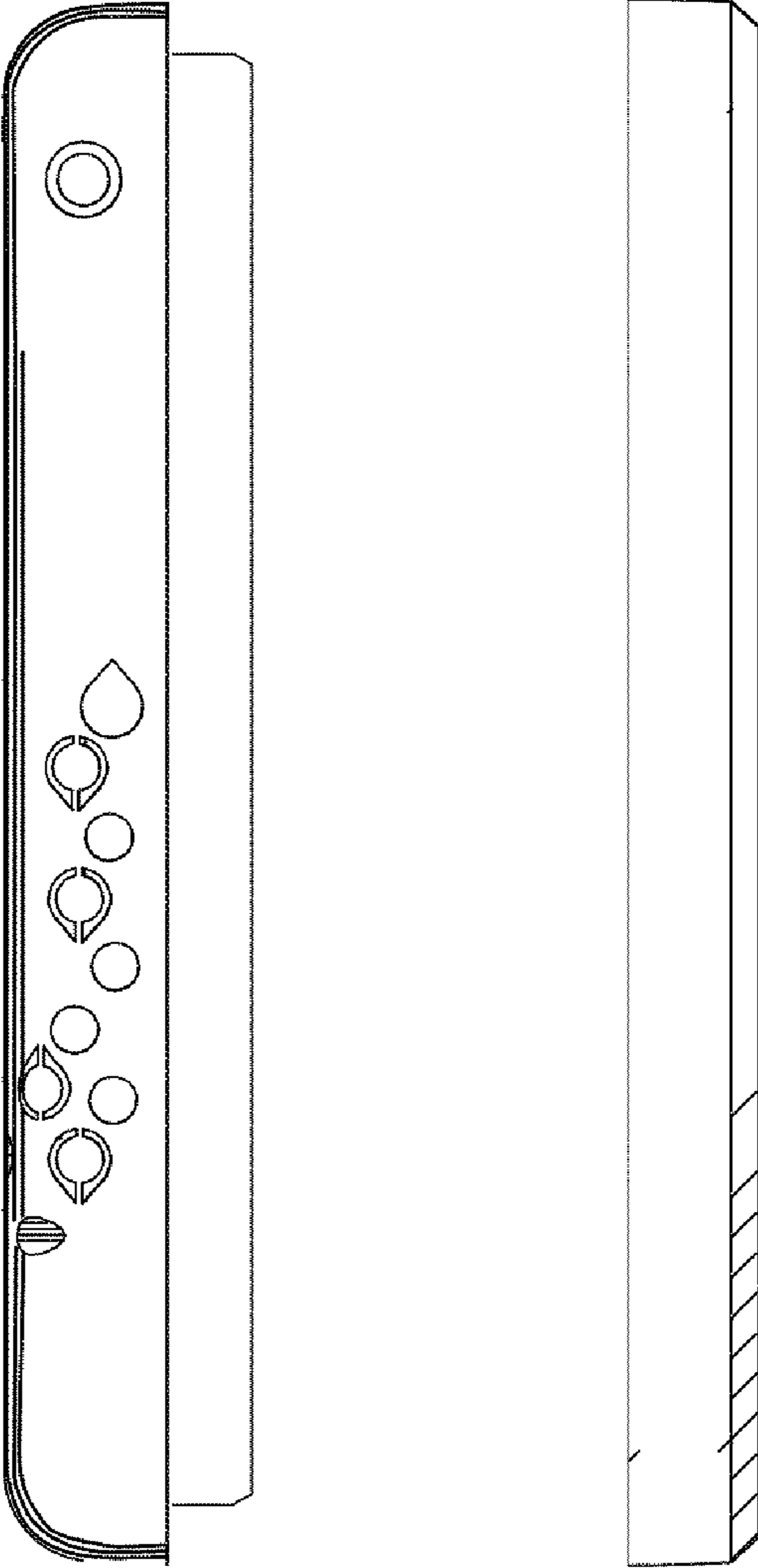
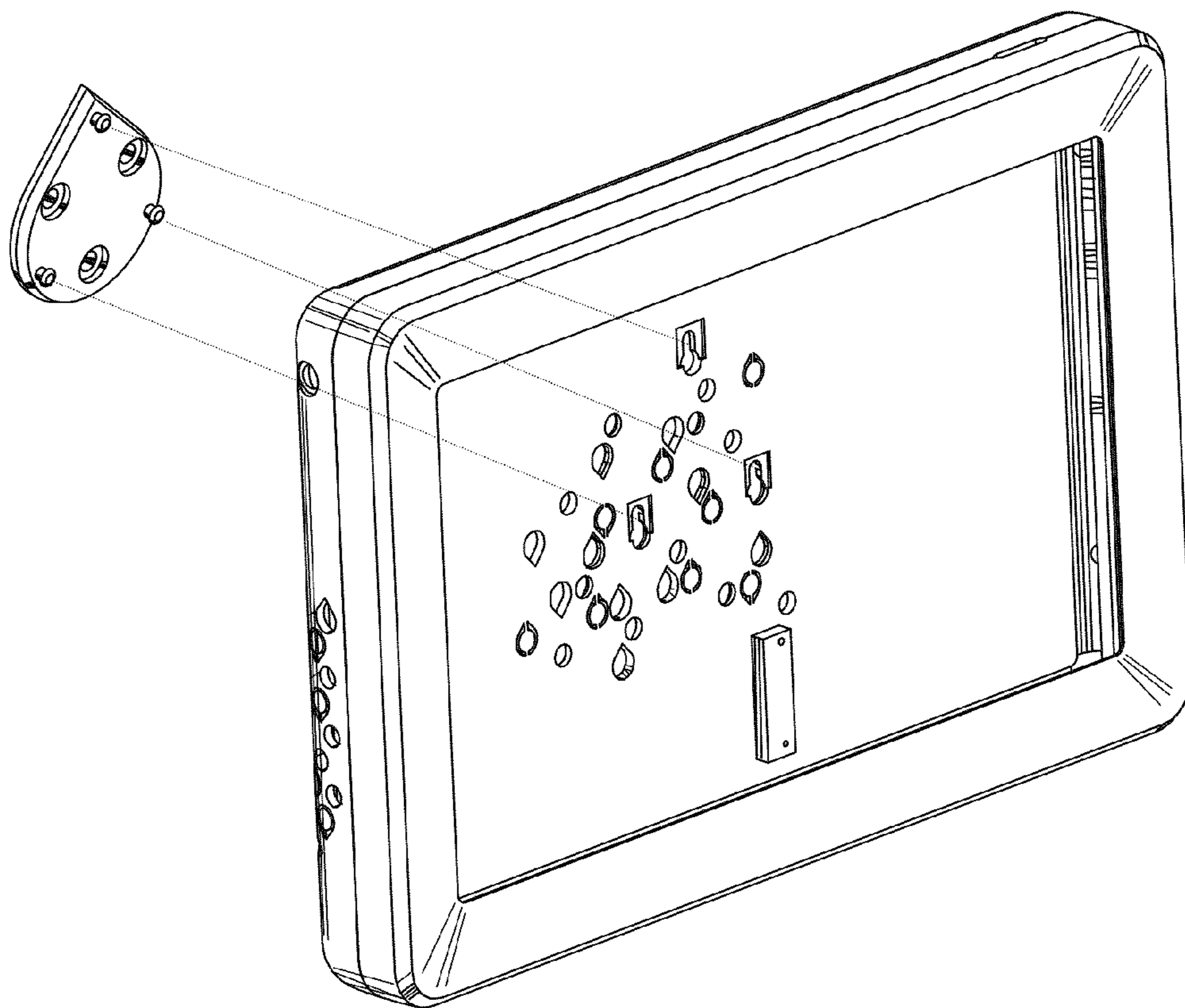


Figure 8



*figure 9*

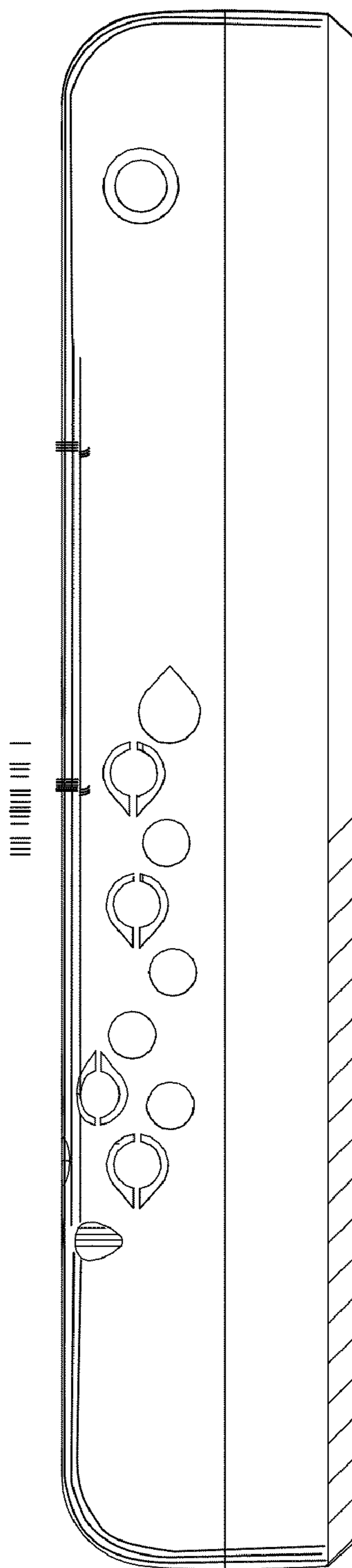
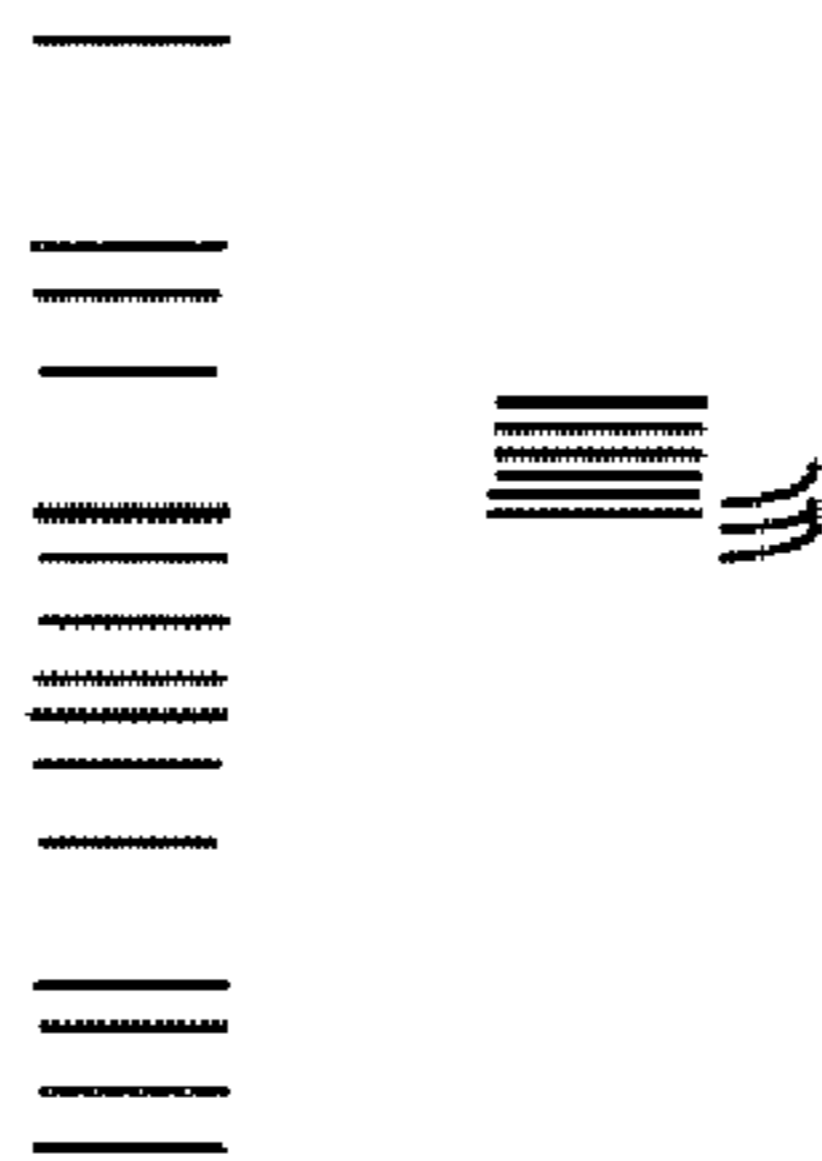
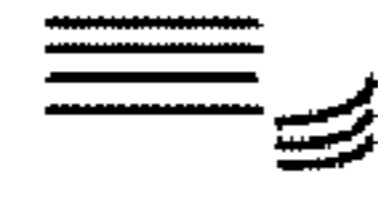
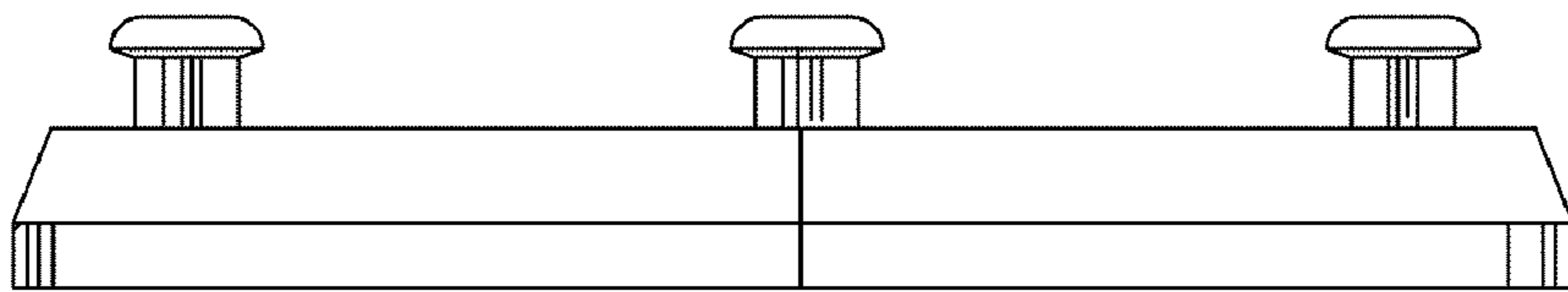


figure 10



*Figure 11*



*Figure 12*

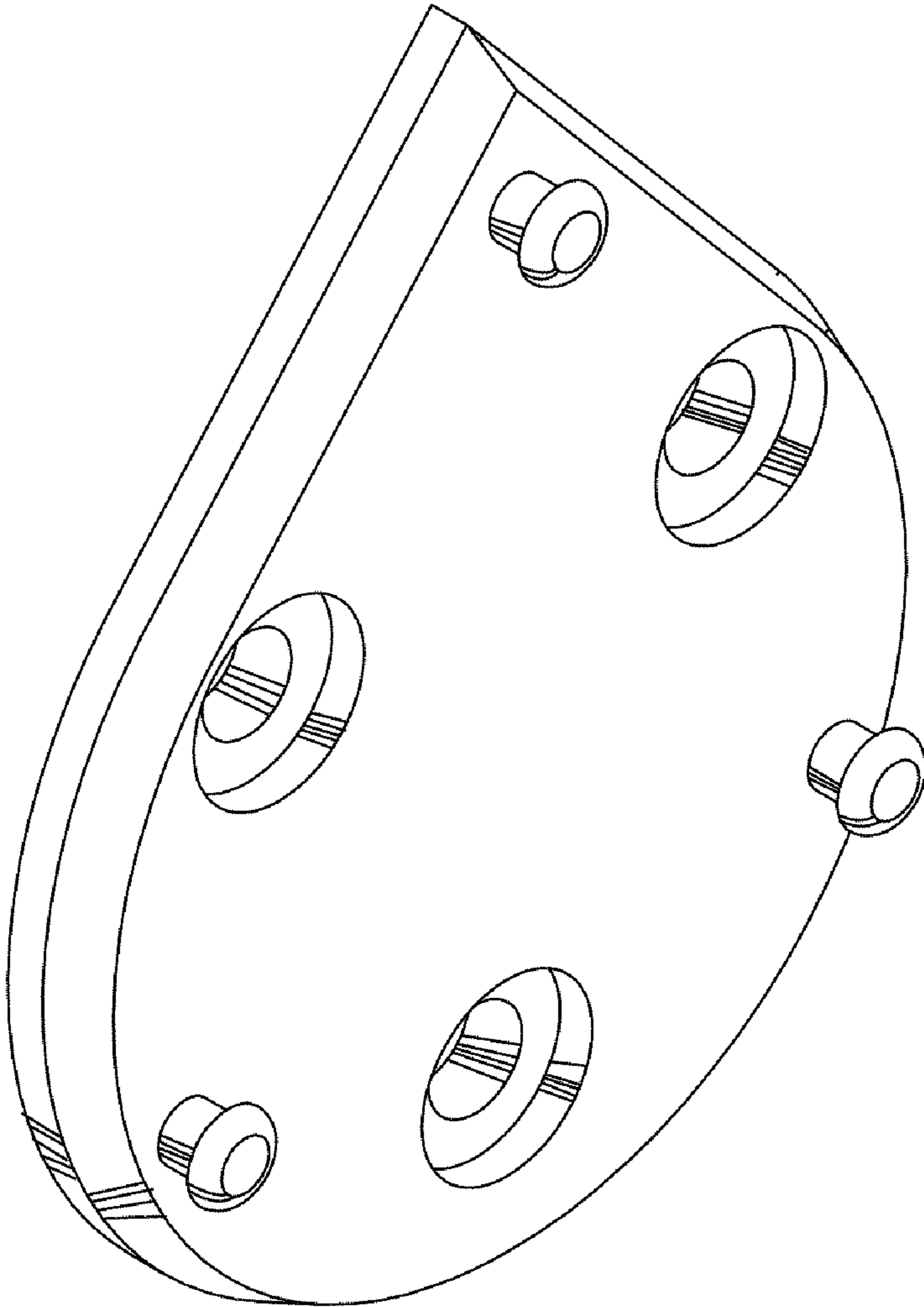


Figure 13

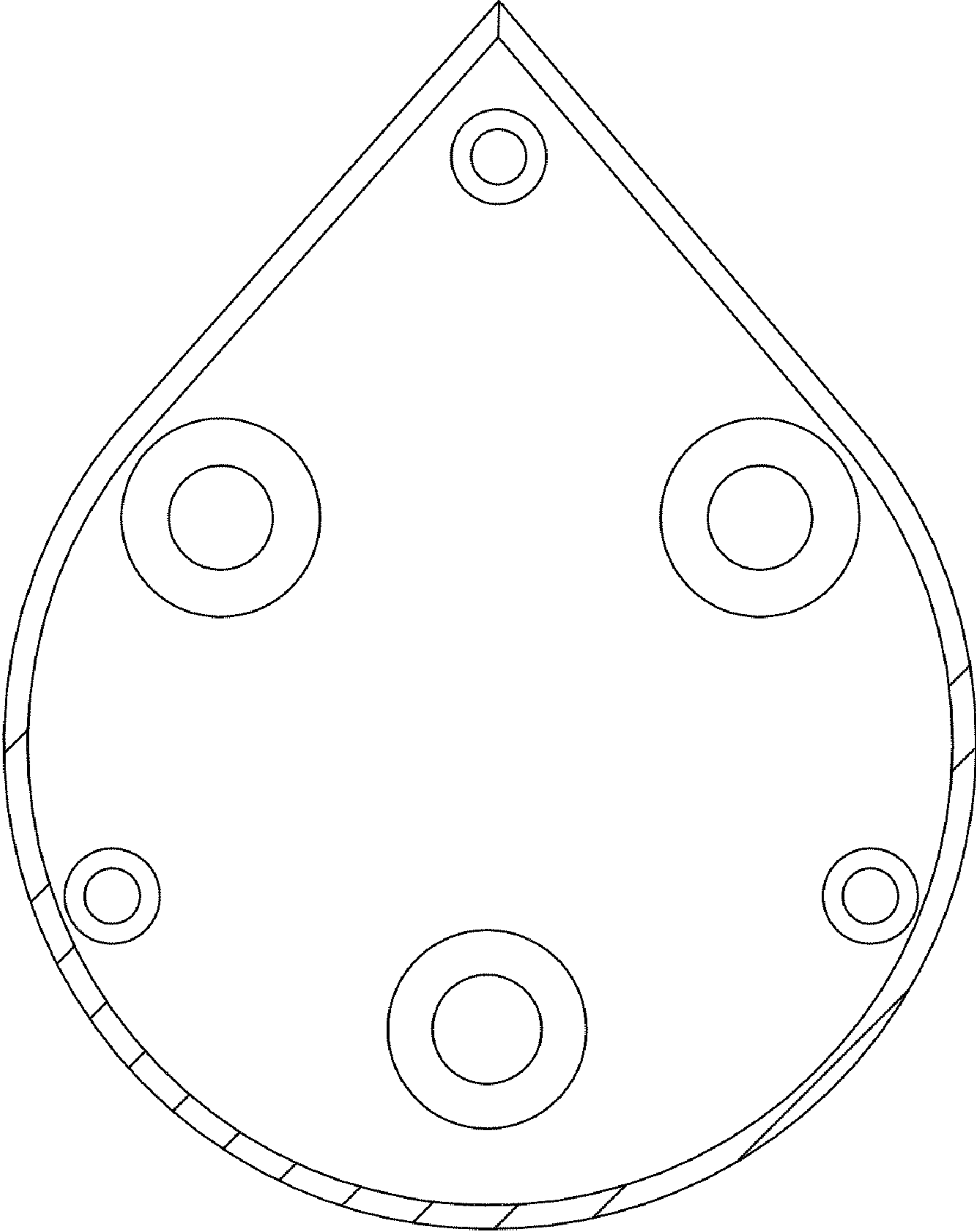


Figure 14