



US00D649069S

(12) **United States Design Patent**  
**Galli**

(10) **Patent No.:** **US D649,069 S**

(45) **Date of Patent:** **\*\* Nov. 22, 2011**

(54) **WATCH**

(75) **Inventor:** **Giorgio Galli, Milan (IT)**

(73) **Assignee:** **Salvatore Ferragamo Italia, S.p.A.,  
Florence (IT)**

(\*\*) **Term:** **14 Years**

(21) **Appl. No.:** **29/370,892**

(22) **Filed:** **Sep. 18, 2010**

(30) **Foreign Application Priority Data**

Mar. 18, 2010 (WO) ..... DM/073241

(51) **LOC (9) Cl.** ..... **10-02**

(52) **U.S. Cl.** ..... **D10/30; D10/31; D10/37; D10/39**

(58) **Field of Classification Search** ..... D10/30-39,  
D10/122-132; 368/276, 281, 282, 285, 301,  
368/302, 223, 232, 80, 228  
See application file for complete search history.

(56) **References Cited**

**U.S. PATENT DOCUMENTS**

153,247	A *	7/1874	Dueber	368/297
273,759	A *	3/1883	Mueller	368/301
1,459,006	A *	6/1923	Von Kersburg	368/288
D126,622	S *	4/1941	Didisheim	D10/37
D266,058	S *	9/1982	Kanouï	D10/39
D276,506	S *	11/1984	Henkels	D10/23
D319,027	S *	8/1991	Burgener	D10/39

D326,232	S *	5/1992	Kurebayashi	D10/39
D328,866	S *	8/1992	Deleskiewicz	D10/39
D332,055	S *	12/1992	Gander	D10/39
D371,745	S *	7/1996	Wunderman	D10/32
D390,148	S *	2/1998	Brzezinski	D10/30
D405,016	S *	2/1999	Bach	D10/32
6,164,814	A *	12/2000	Crow	368/276
D448,311	S *	9/2001	Sciaccia	D10/39
D554,535	S *	11/2007	Journe	D10/31
D566,586	S *	4/2008	Lalo	D10/39
D615,882	S *	5/2010	Laucella	D10/39

\* cited by examiner

*Primary Examiner* — Lucy Lieberman

(74) *Attorney, Agent, or Firm* — Pollack, P.C.

(57) **CLAIM**

The ornamental design for a watch, substantially as shown and described.

**DESCRIPTION**

FIG. 1 is a perspective view of a watch showing my new design;

FIG. 2 is a plan view of the watch shown in FIG. 1;

FIG. 3 is a bottom view of the watch illustrated in FIG. 1;

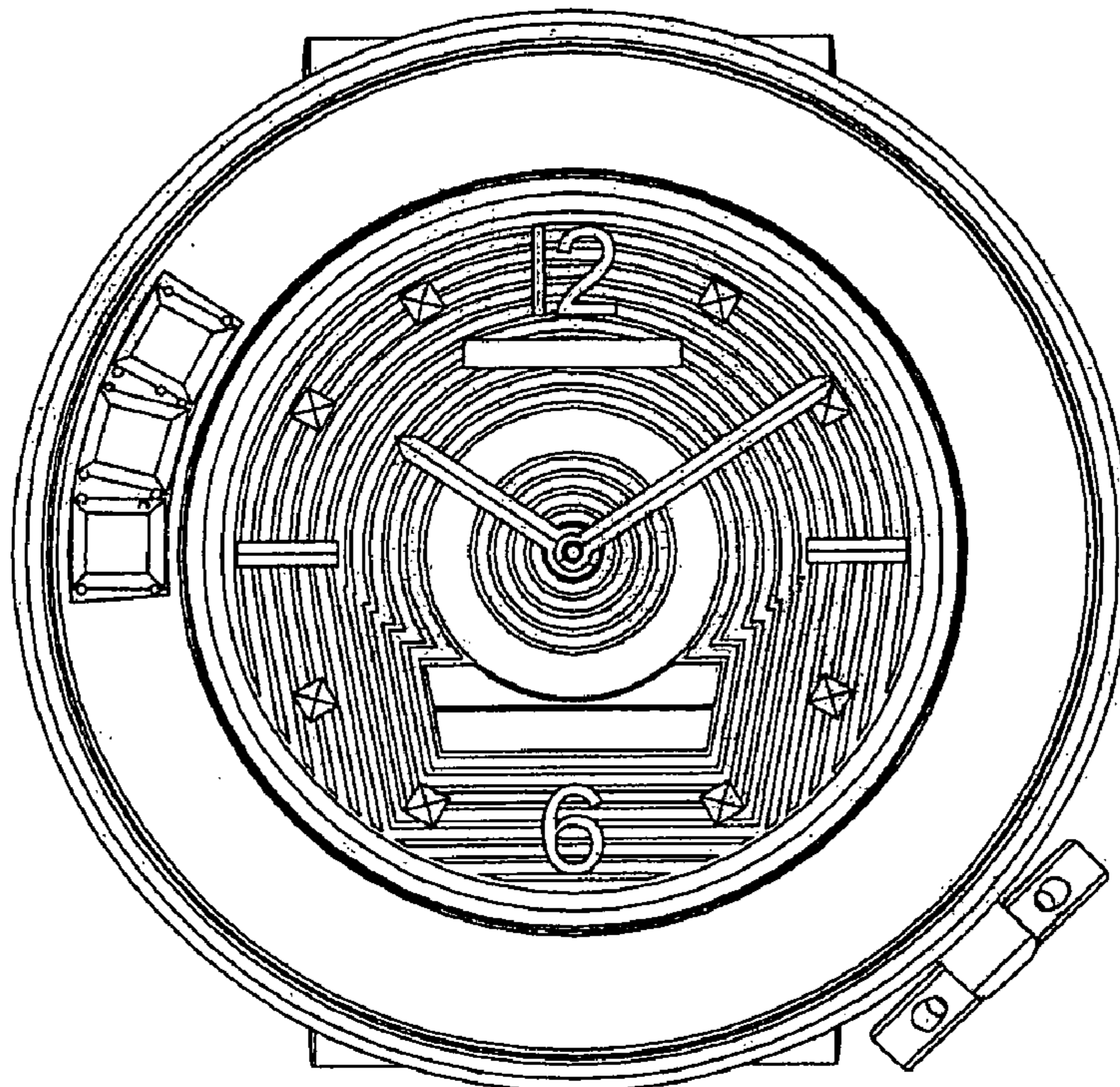
FIG. 4 is a front view of the watch according to the design of FIG. 1;

FIG. 5 is a rear view of the watch set forth in FIG. 4;

FIG. 6 is a side view of the watch shown in FIG. 1; and,

FIG. 7 is an opposing side view of the watch illustrated in FIG. 6.

**1 Claim, 7 Drawing Sheets**



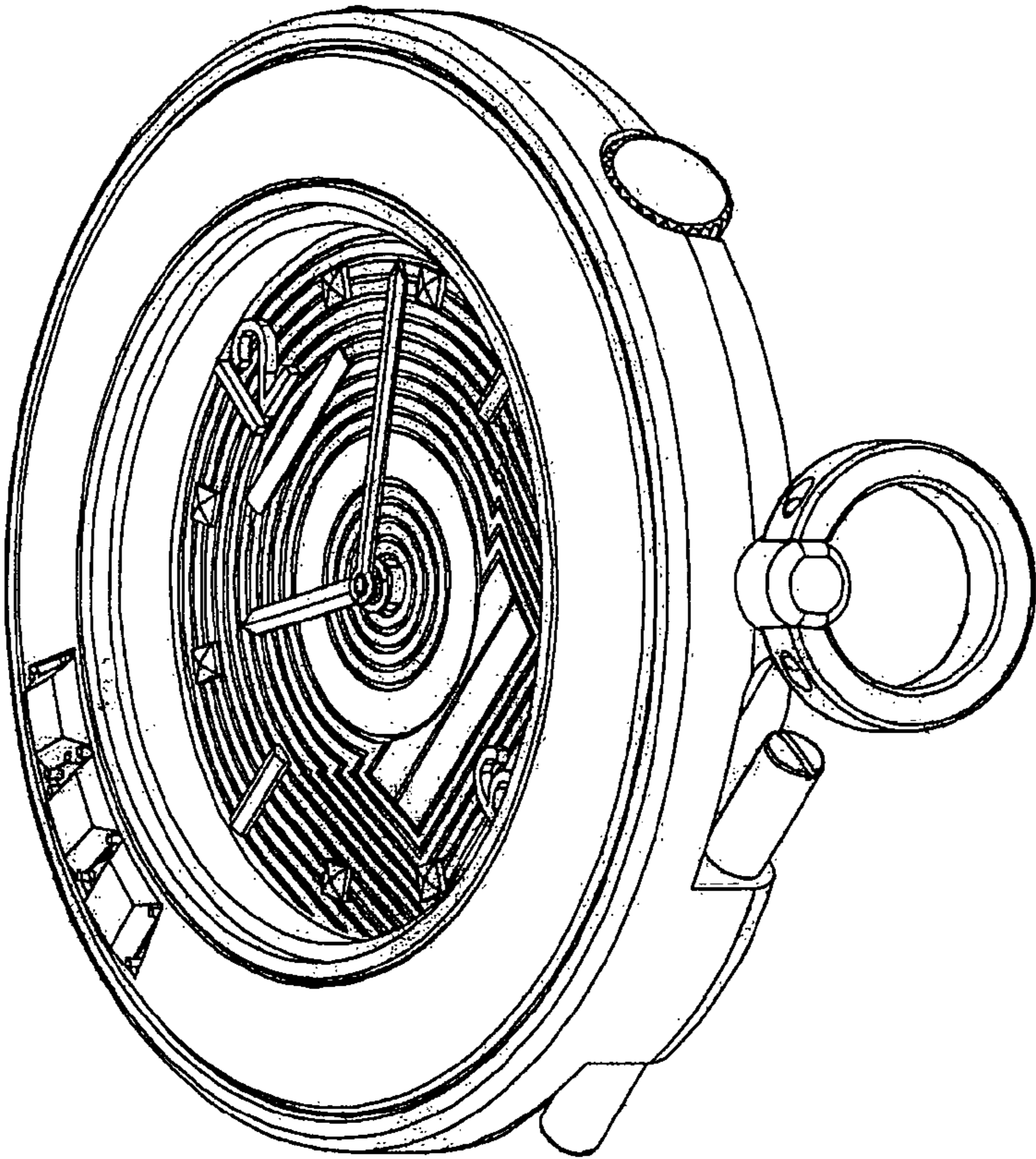


FIG. 1

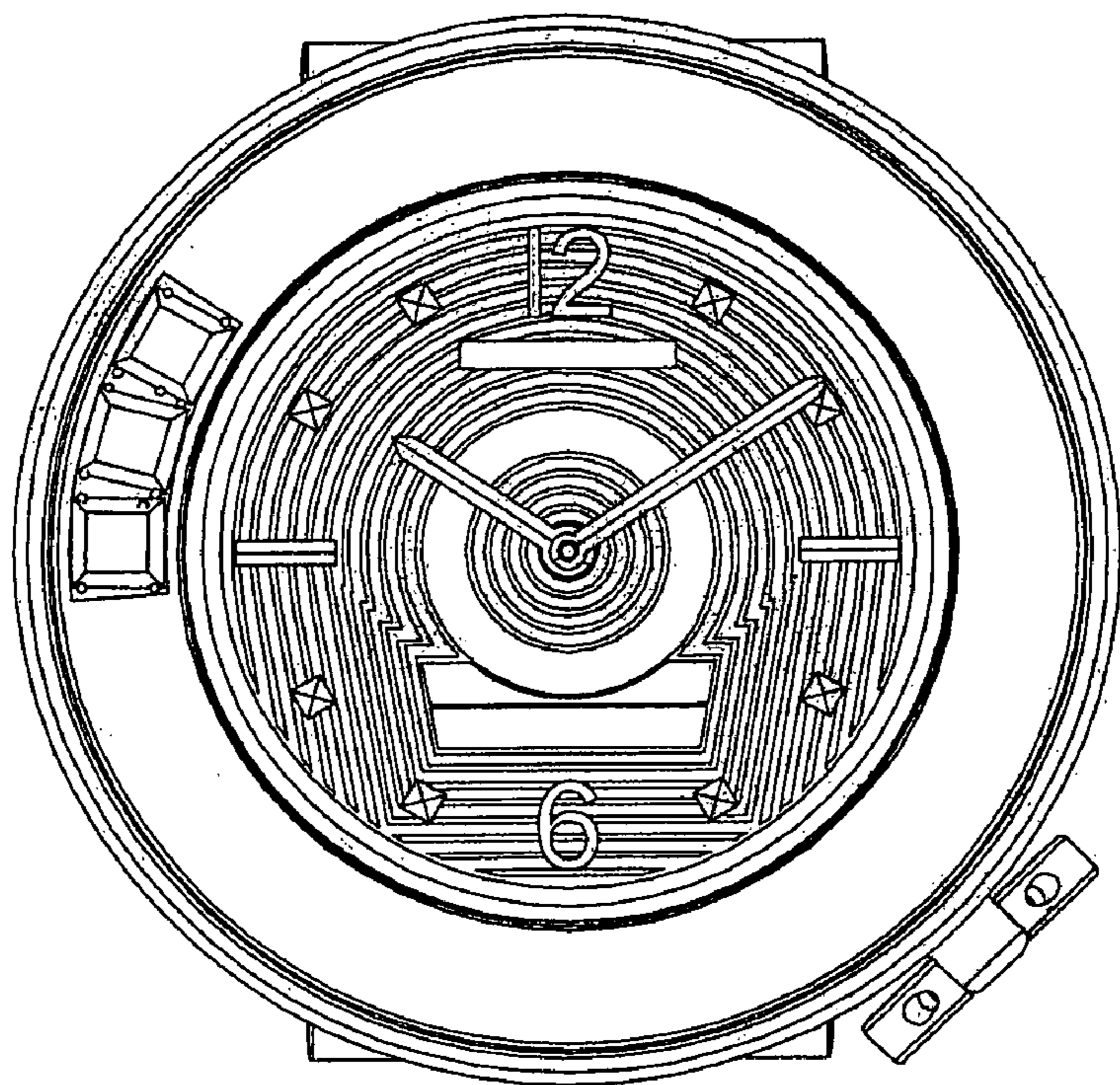
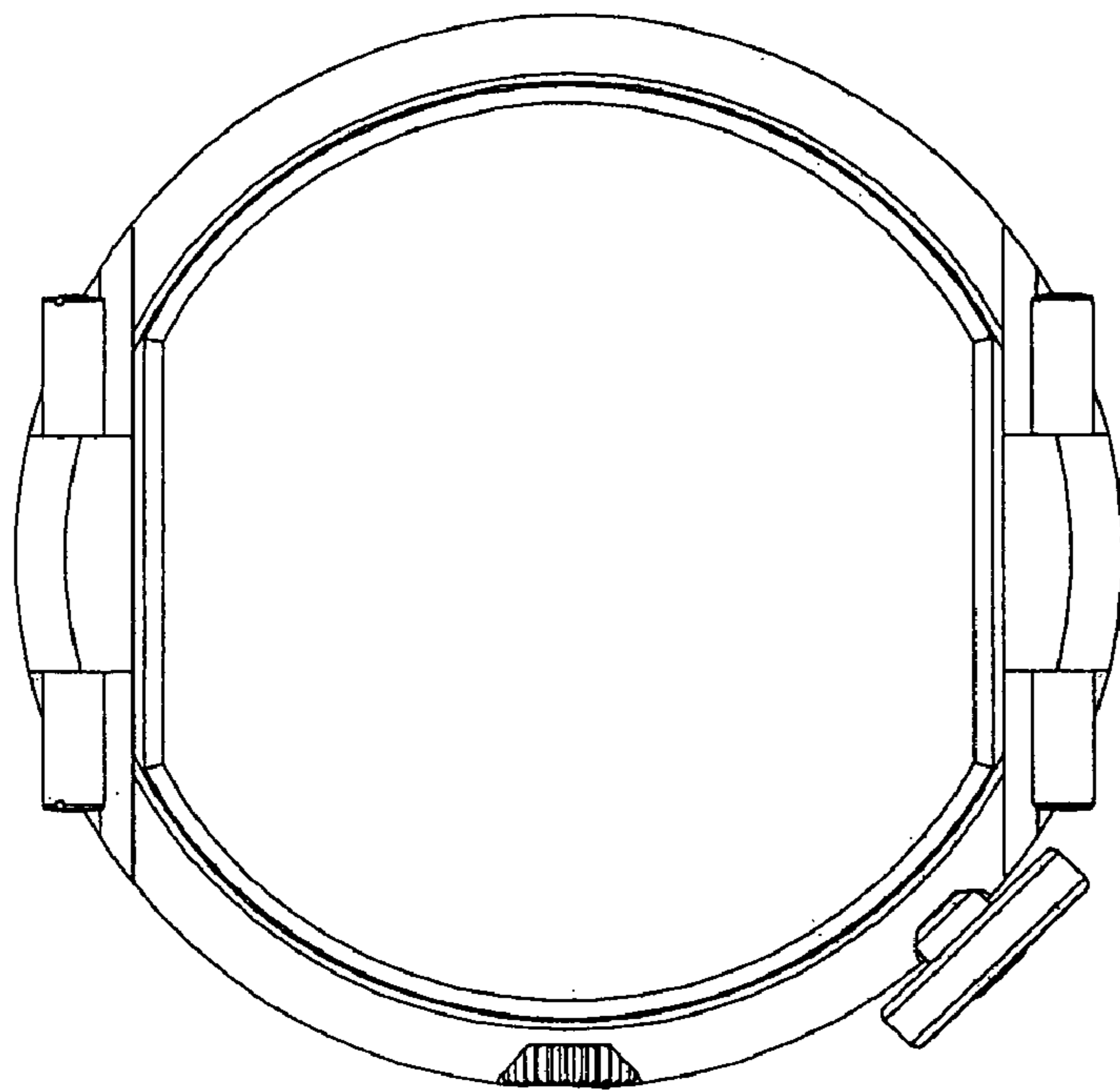
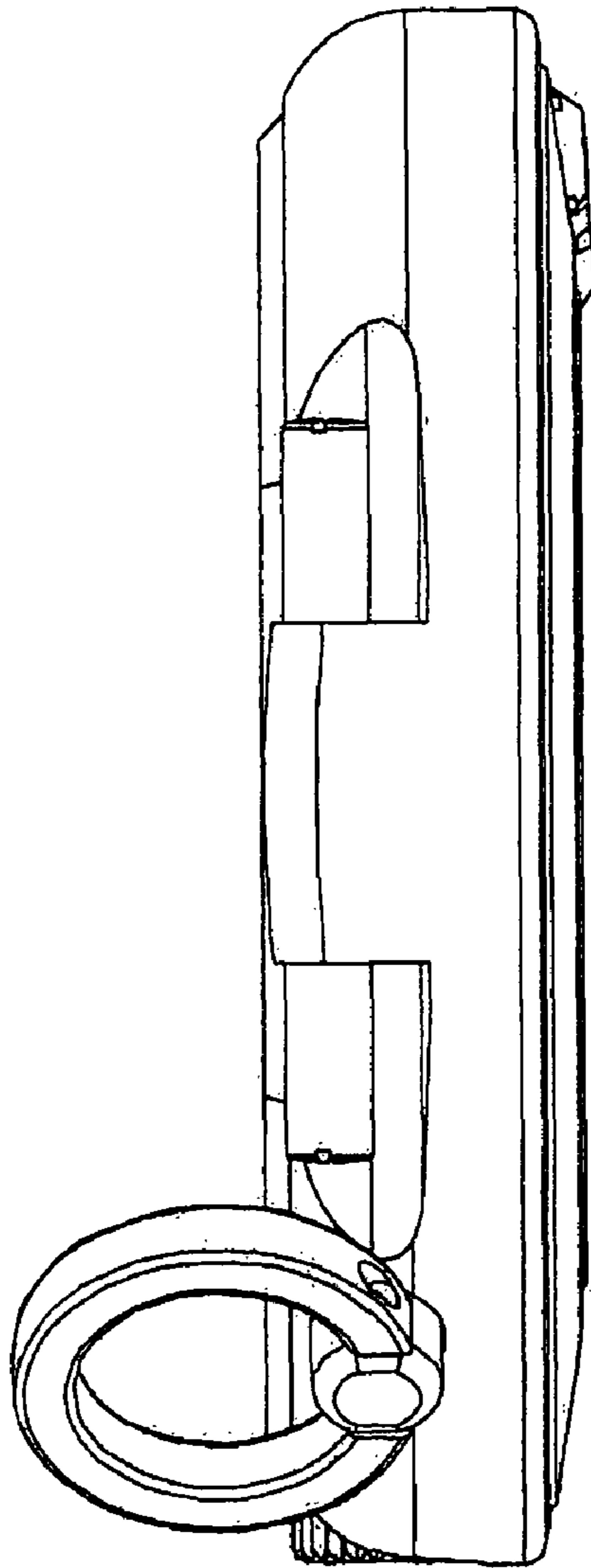


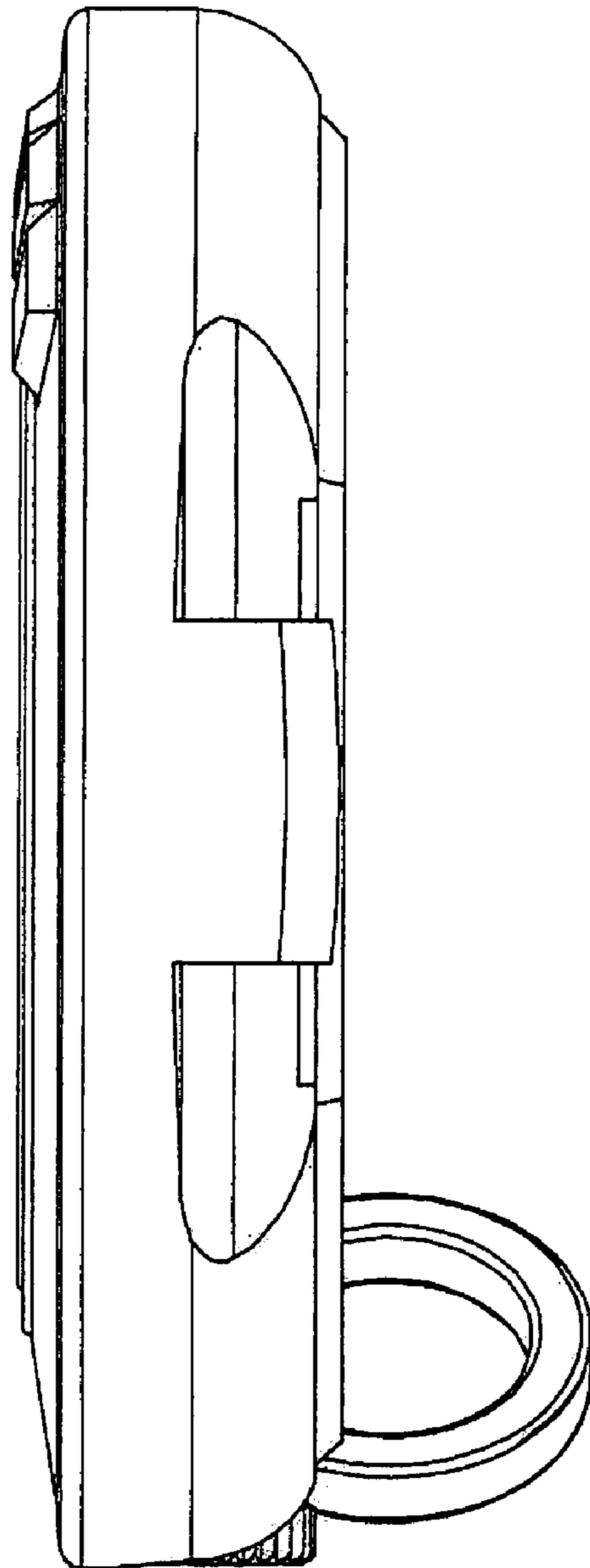
FIG. 2



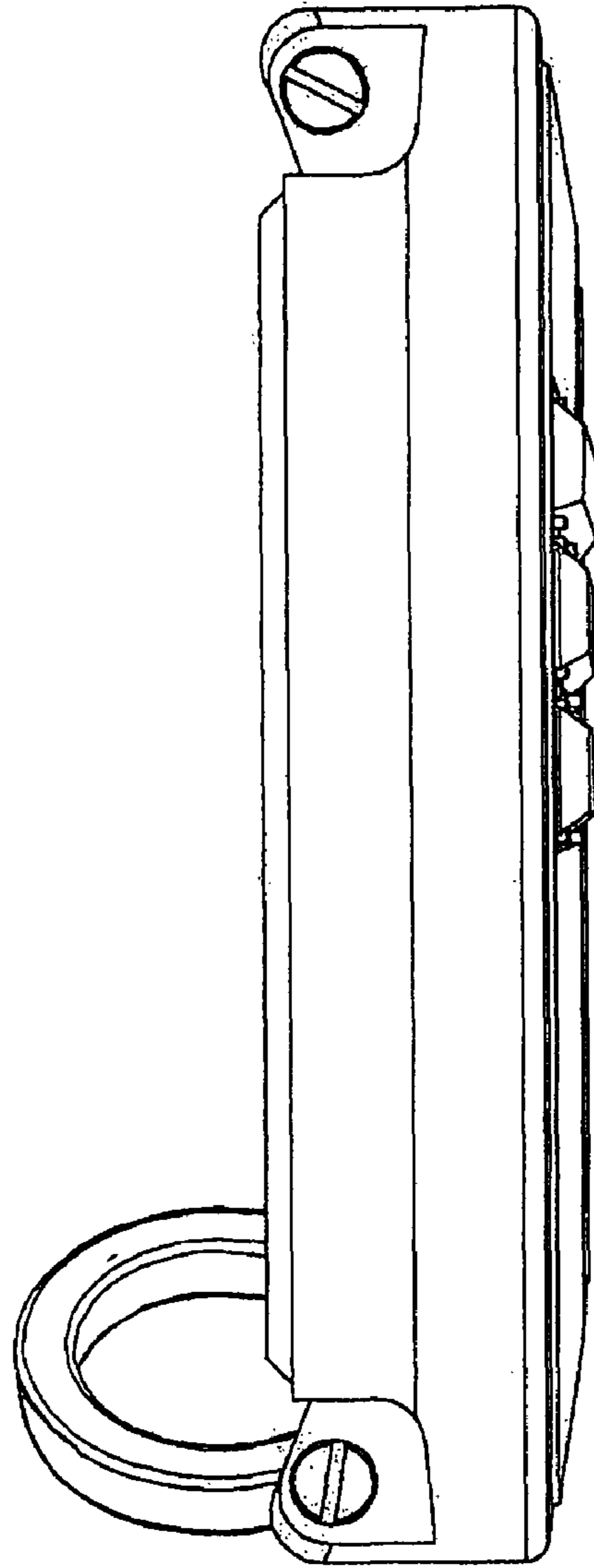
**FIG. 3**



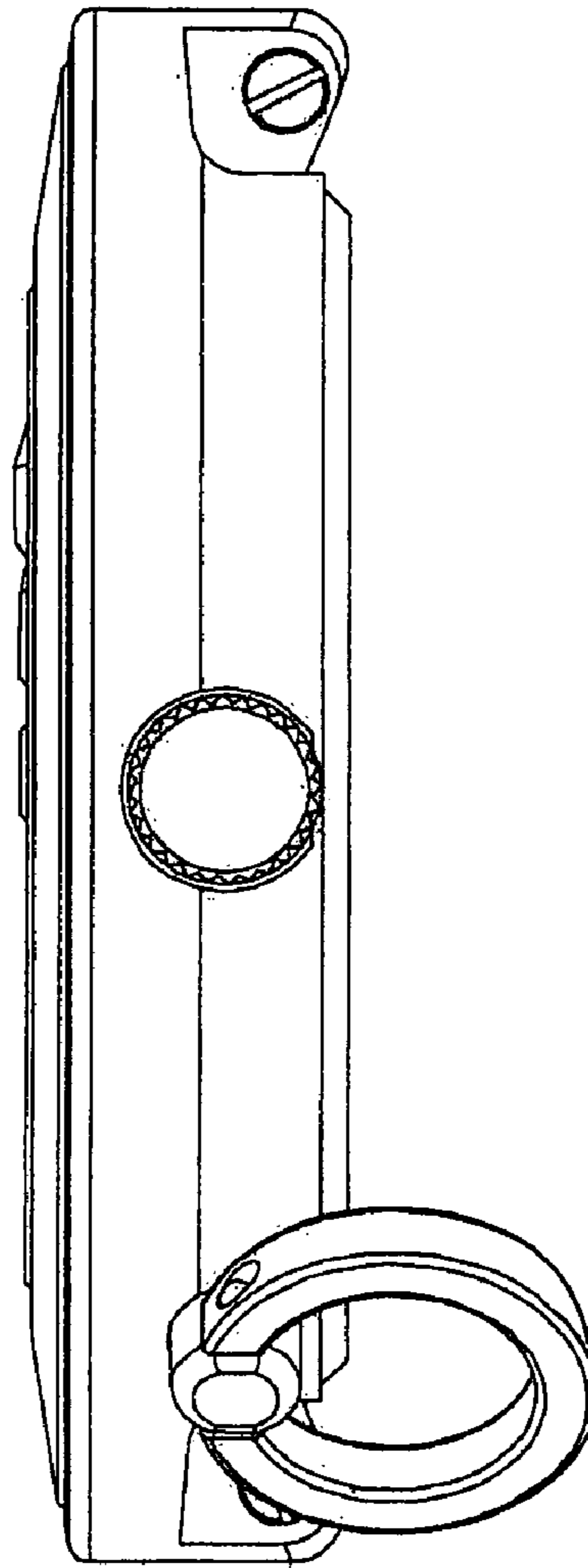
**FIG. 4**



**FIG. 5**



**FIG. 6**



**FIG. 7**