

US00D649068S

(12) **United States Design Patent**
Breton et al.

(10) **Patent No.:** **US D649,068 S**

(45) **Date of Patent:** **** Nov. 22, 2011**

(54) **CUP CARRIER WITH THUMB HOLDER AND
CONDIMENT/FOOD RECEPTACLE**

(75) Inventors: **Donald V. Breton**, N. Vassalboro, ME
(US); **Keegan Y. Yang**, Winslow, ME
(US)

(73) Assignee: **Huhtamaki, Inc.**, De Soto, KS (US)

(**) Term: **14 Years**

(21) Appl. No.: **29/377,768**

(22) Filed: **Oct. 26, 2010**

(51) **LOC (9) Cl.** **09-03**

(52) **U.S. Cl.** **D9/755**

(58) **Field of Classification Search** D9/755,
D9/425, 428, 420, 432, 455, 456, 424, 737;
D7/553.1, 553.2, 553.3; 248/311.2; 220/23.8,
220/507; 206/592, 557, 564, 433, 203, 427,
206/521, 521.1; 229/406, 407, 902, 904;
294/143, 159, 144, 172

See application file for complete search history.

(56) **References Cited**

U.S. PATENT DOCUMENTS

D236,575	S	*	9/1975	Vigue	D7/553.4
D250,091	S	*	10/1978	Jewell	D9/755
4,208,006	A	*	6/1980	Bixler et al.	229/406
4,218,008	A	*	8/1980	Veilleux	229/406
4,381,847	A	*	5/1983	Bessett et al.	229/406
D279,259	S	*	6/1985	Bixler et al.	D9/755
4,718,555	A	*	1/1988	Amberg	206/519
D309,258	S		7/1990	Vigue		
D319,579	S		9/1991	Vigue		
5,096,065	A	*	3/1992	Vigue	206/564
D331,008	S		11/1992	Vigue		
5,316,173	A	*	5/1994	Emery	220/556

D352,893	S		11/1994	Legacy et al.		
5,713,619	A	*	2/1998	DuBois et al.	294/159
5,915,561	A		6/1999	Lorenzana et al.		
6,076,876	A	*	6/2000	Letourneau et al.	294/143
D436,853	S	*	1/2001	Sussman	D9/755
D438,100	S		2/2001	Cekota		
6,398,056	B1	*	6/2002	Letourneau et al.	220/23.8
6,679,380	B2	*	1/2004	Brown	206/427
7,225,927	B2	*	6/2007	Sweeney	206/564
D614,047	S	*	4/2010	Landry	D9/755
7,762,396	B1	*	7/2010	Yang et al.	206/427
2009/0211937	A1		8/2009	Sharma et al.		

FOREIGN PATENT DOCUMENTS

EP			1489014	A1		12/2004
WO			9810687	A1		3/1998
WO			WO 9810687	A1	*	3/1998
WO			2006065132	A2		6/2006
WO			WO 2006065132	A2	*	6/2006

* cited by examiner

Primary Examiner — Mark Goodwin

(74) *Attorney, Agent, or Firm* — Husch Blackwell LLP

(57) **CLAIM**

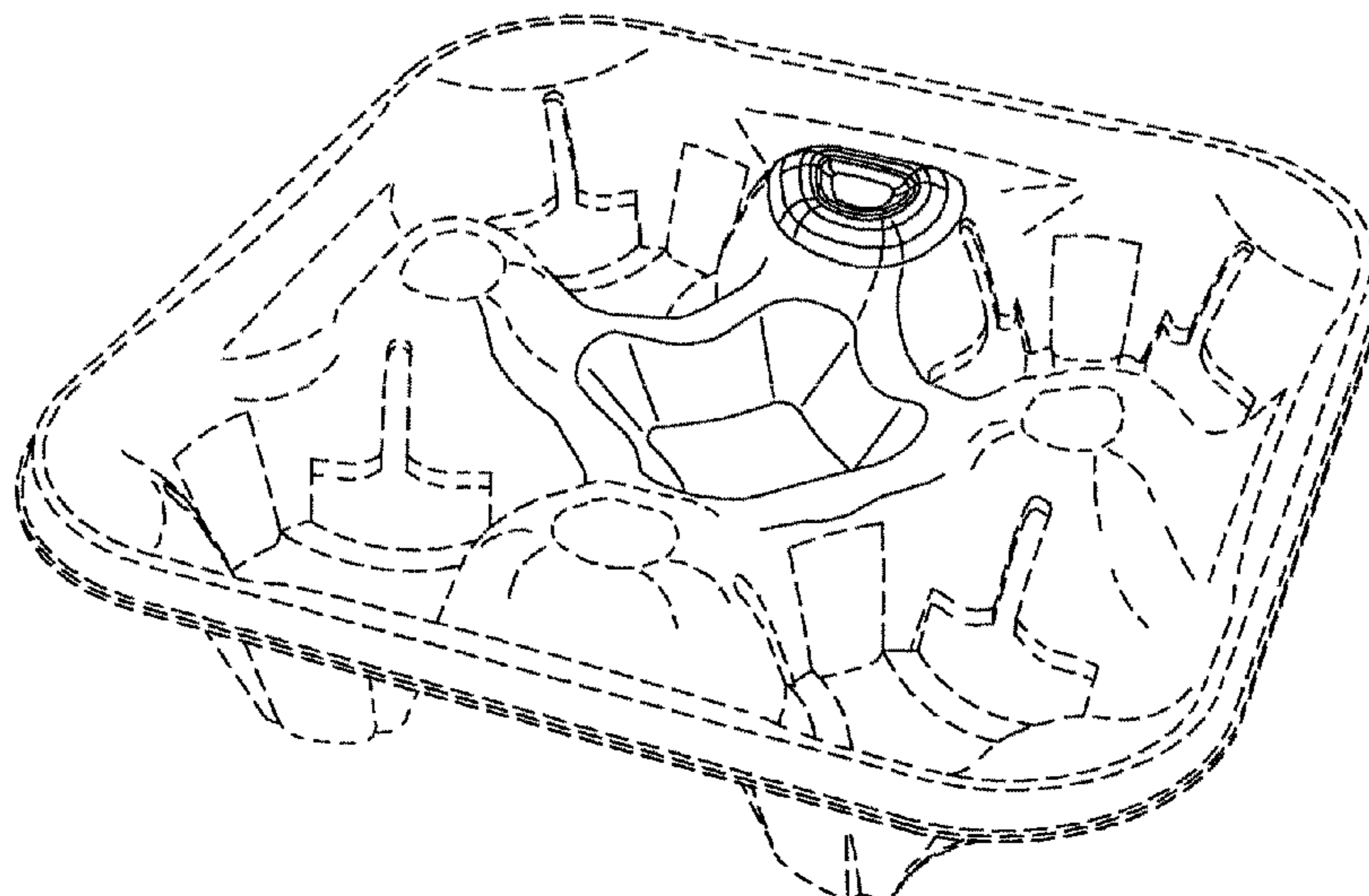
The ornamental design for a cup carrier with thumb holder and condiment/food receptacle, as shown and described.

DESCRIPTION

FIG. 1 is a perspective of the cup carrier with thumb holder and condiment/food receptacle;
FIG. 2 is a top plan view thereof;
FIG. 3 is a right side elevational view thereof;
FIG. 4 is a front elevational view thereof; and,
FIG. 5 is a rear elevational view thereof.

The features shown in broken lines depict environmental subject matter only and form no part of the claimed design.

1 Claim, 2 Drawing Sheets



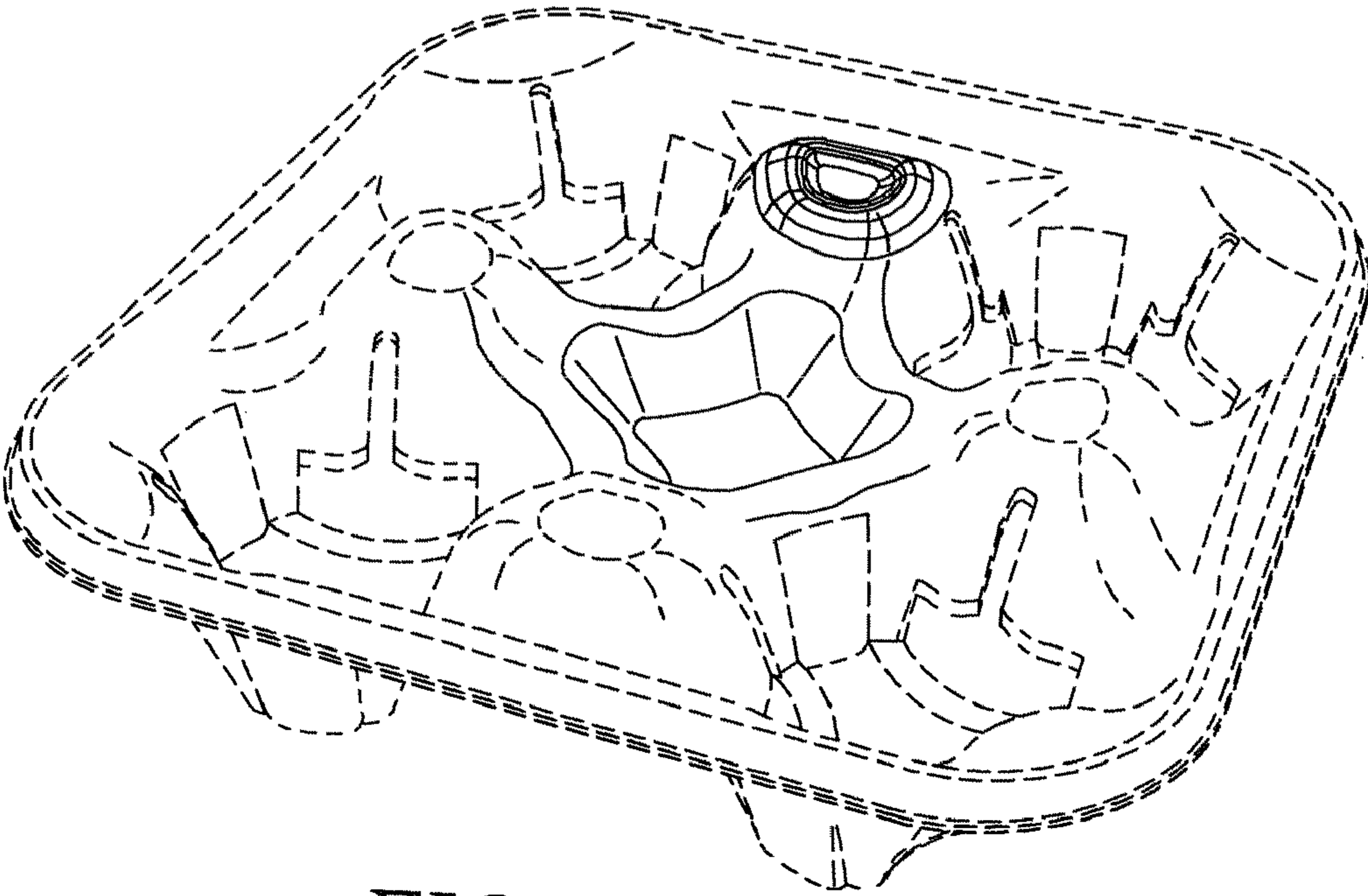


FIG. 1.

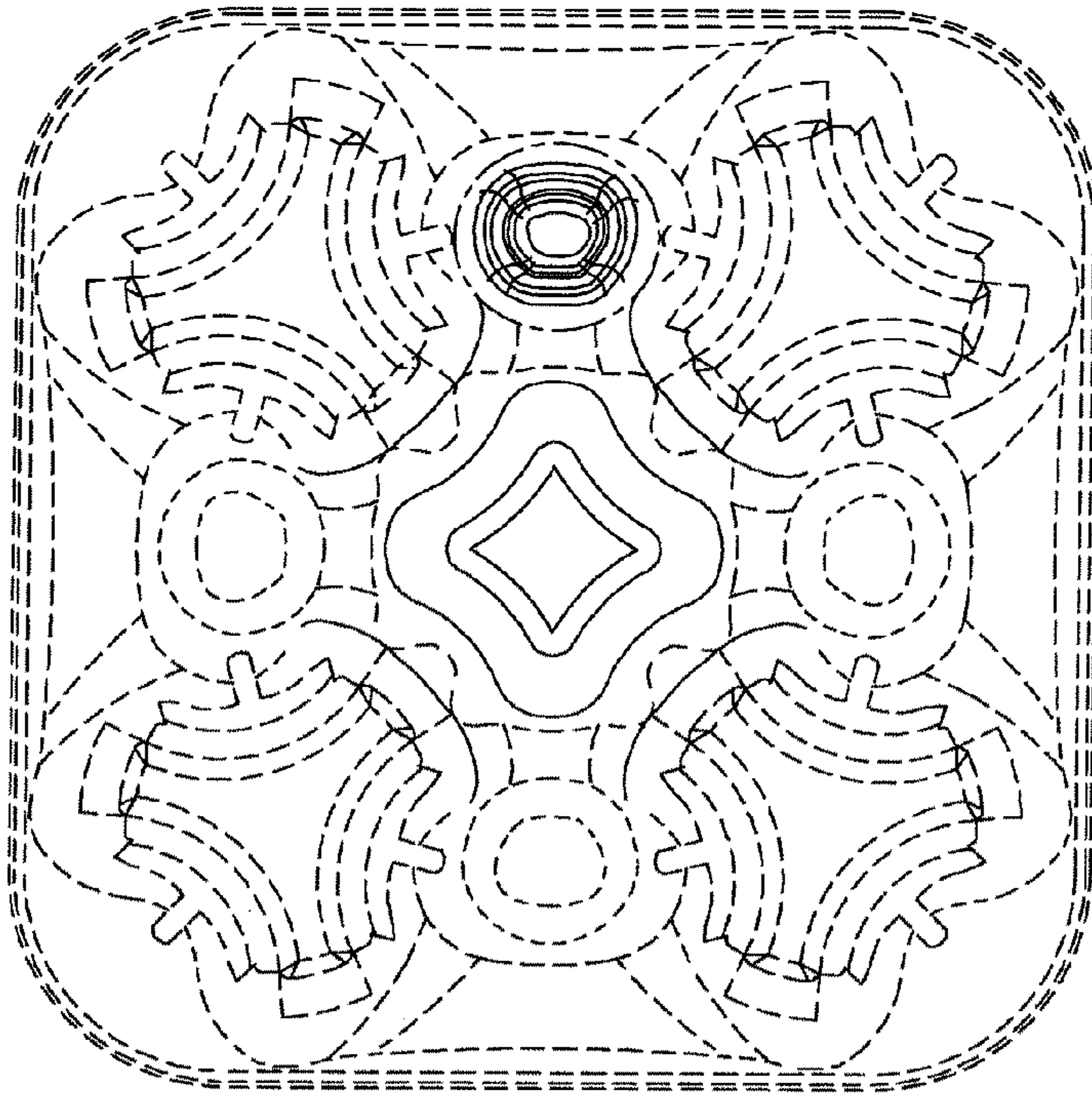


FIG. 2.

FIG. 3.

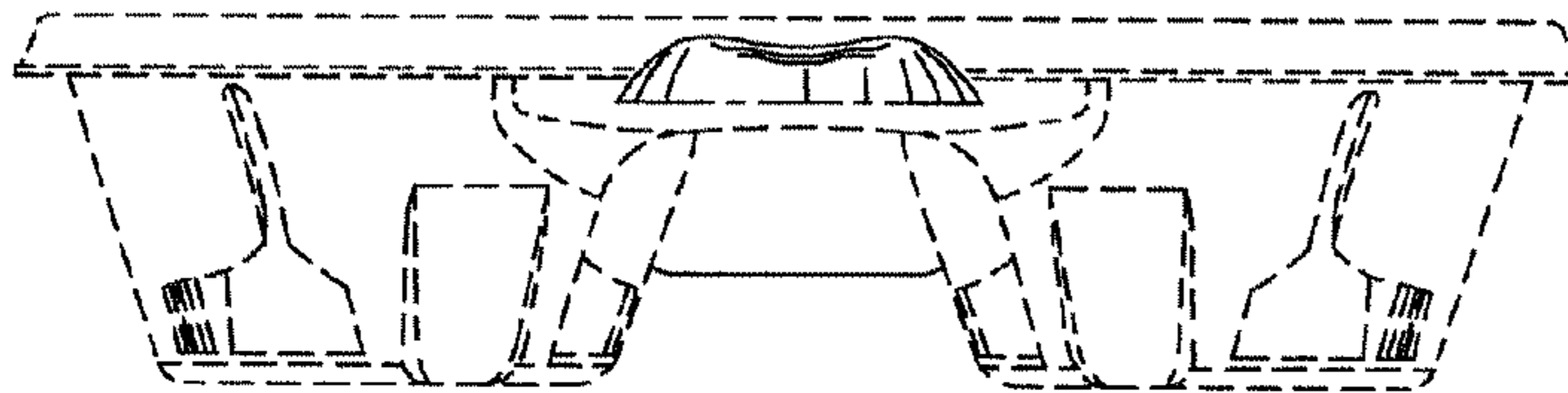
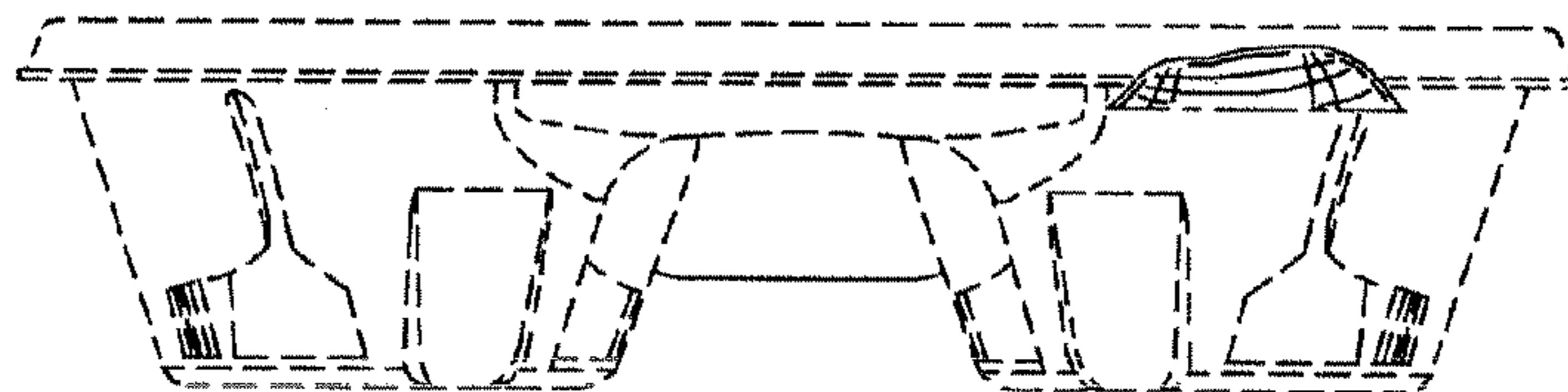


FIG. 4.

FIG. 5.

