



US00D649062S

(12) **United States Design Patent**
Handy

(10) **Patent No.:** **US D649,062 S**

(45) **Date of Patent:** **** Nov. 22, 2011**

(54) **BOTTLE**

(75) Inventor: **Francis J. Handy**, San Francisco, CA
(US)

(73) Assignee: **Method Products, Inc.**, San Francisco,
CA (US)

(**) Term: **14 Years**

(21) Appl. No.: **29/369,885**

(22) Filed: **Sep. 15, 2010**

(51) **LOC (9) Cl.** **09-01**

(52) **U.S. Cl.** **D9/560; D9/574**

(58) **Field of Classification Search** D9/516,
D9/559-560, 571-575, 682, 685-686, 690-691;
215/379, 381-382; 220/660, 662, 675
See application file for complete search history.

(56) **References Cited**

U.S. PATENT DOCUMENTS

1,173,176	A	2/1916	Coombs	
D93,932	S	* 11/1934	Levine	D9/560
D139,331	S	* 10/1944	Teunisz	D9/560
D205,098	S	* 6/1966	Hallowell, Jr.	D9/546
D210,353	S	* 3/1968	Platte	D9/541
D270,235	S	* 8/1983	Ewry	D9/694
D270,240	S	* 8/1983	Ewry	D9/560
D481,956	S	* 11/2003	Pinnavaia	D9/560
D548,098	S	* 8/2007	Lauret	D9/544
D573,481	S	* 7/2008	Chewning et al.	D9/560
D578,407	S	* 10/2008	Chewning et al.	D9/560
D582,784	S	* 12/2008	Boiros et al.	D9/560
D594,343	S	* 6/2009	Leruste	D9/560

FOREIGN PATENT DOCUMENTS

WO DM/061969 * 10/2002

OTHER PUBLICATIONS

“pro chef multi-surface kitchen cleaner”, <http://www.methodhome.com/product/pro-chef-multi-surface-kitchn-cleaner/>, downloaded Oct. 20, 2010.

* cited by examiner

Primary Examiner — Ian Simmons

Assistant Examiner — Dana L Sipos

(74) *Attorney, Agent, or Firm* — Sterne, Kessler, Goldstein & Fox PLLC

(57) **CLAIM**

The ornamental design for a bottle, as shown and described.

DESCRIPTION

FIG. 1 is a front perspective view of a bottle showing my new design;

FIG. 2 is a front view thereof;

FIG. 3 is a rear view thereof;

FIG. 4 is a top plan view thereof;

FIG. 5 is a bottom plan view thereof;

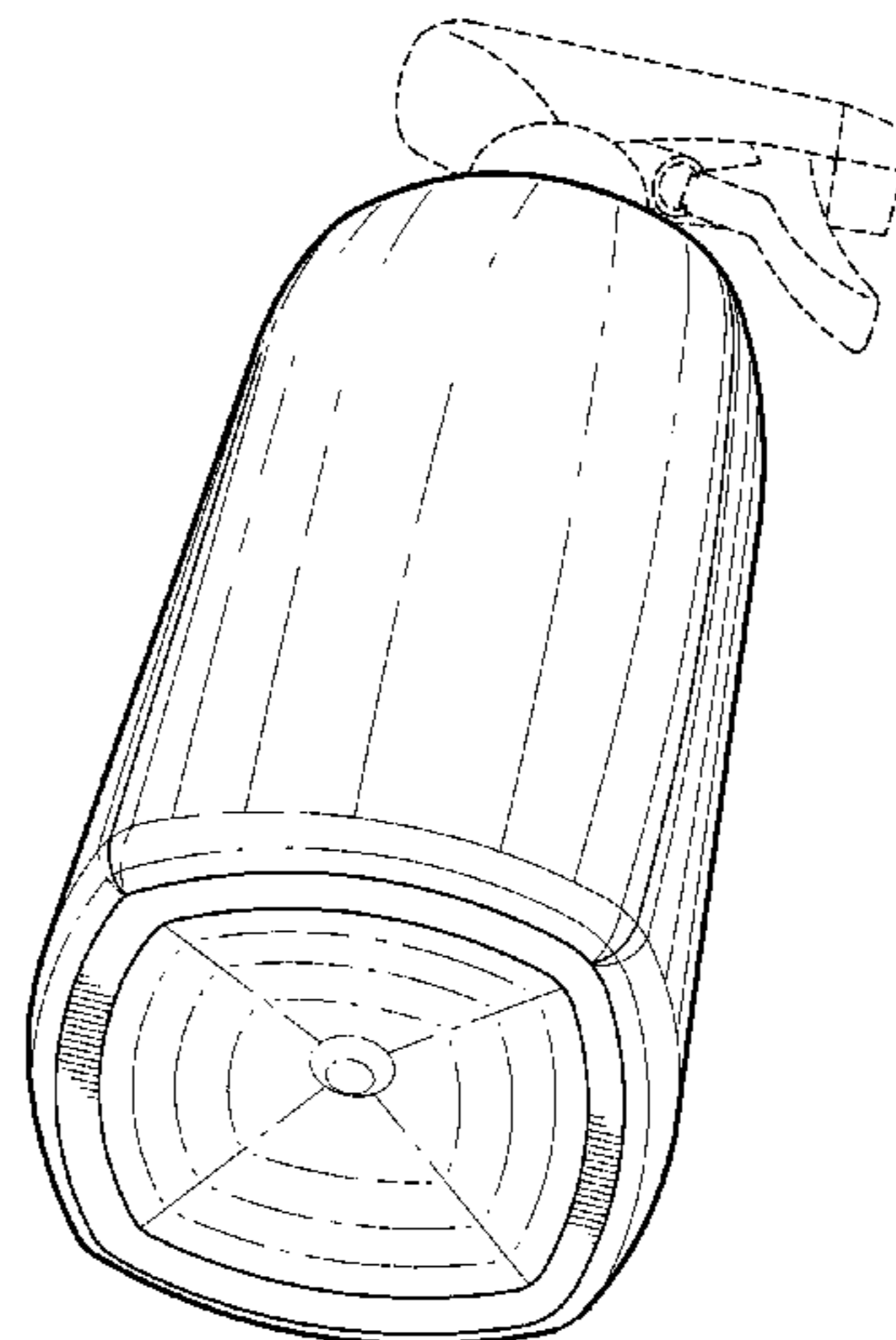
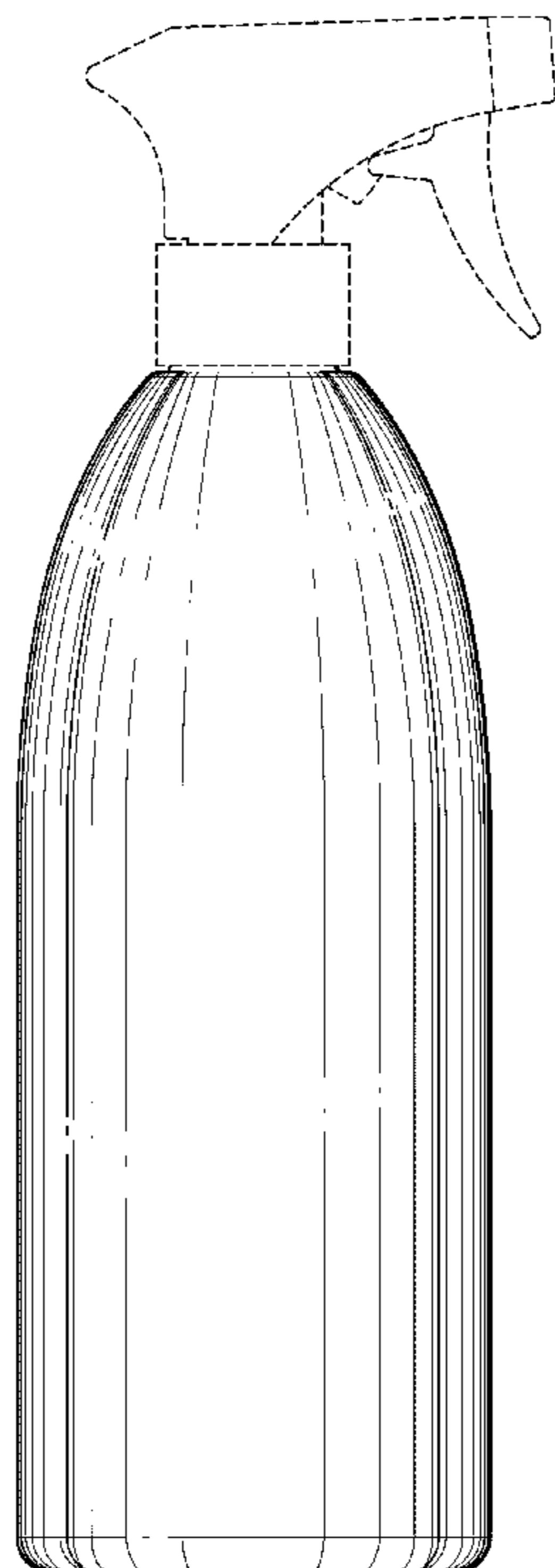
FIG. 6 is a left side view thereof;

FIG. 7 is a right side view thereof; and,

FIG. 8 is a bottom perspective view thereof.

The broken lines show portions of the bottle which form no part of the claimed design.

1 Claim, 7 Drawing Sheets



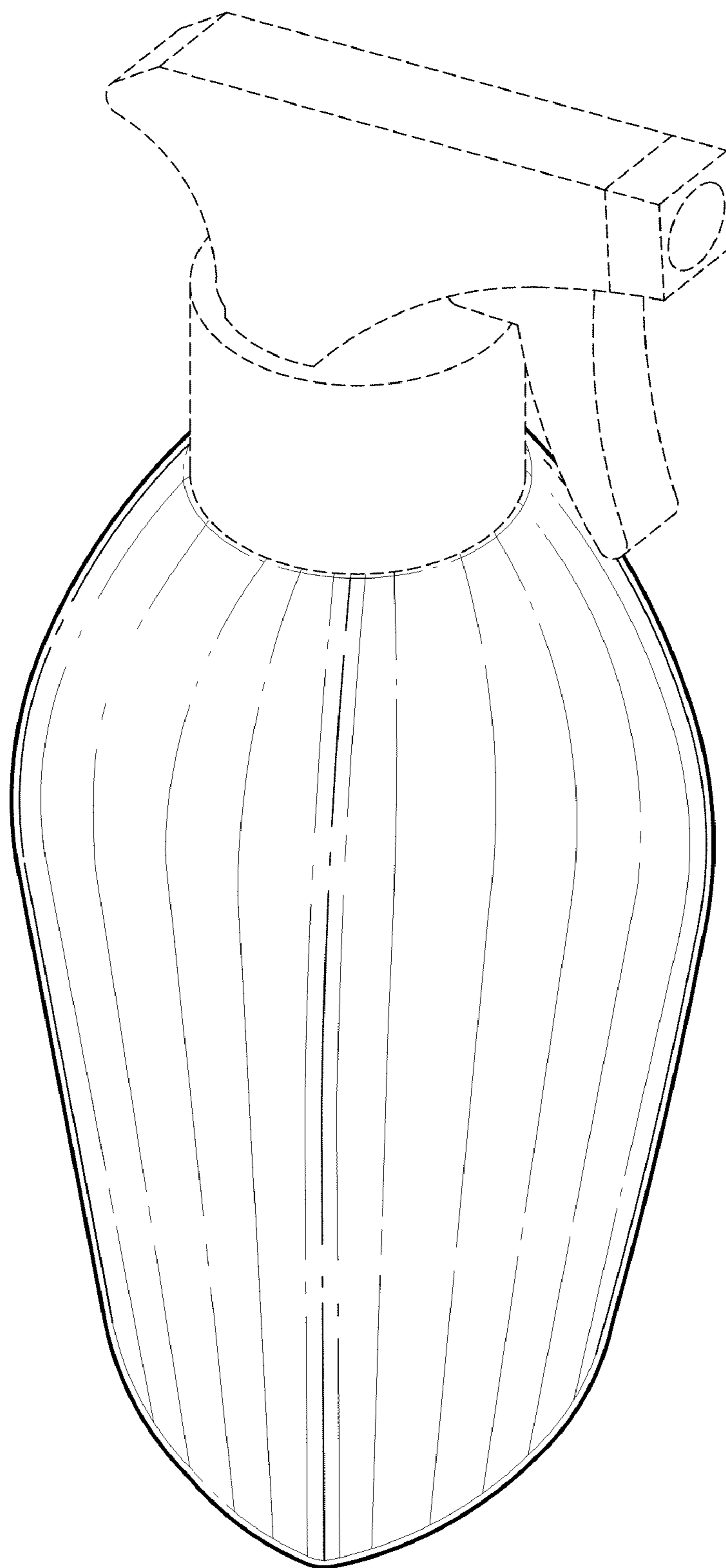


FIG. 1

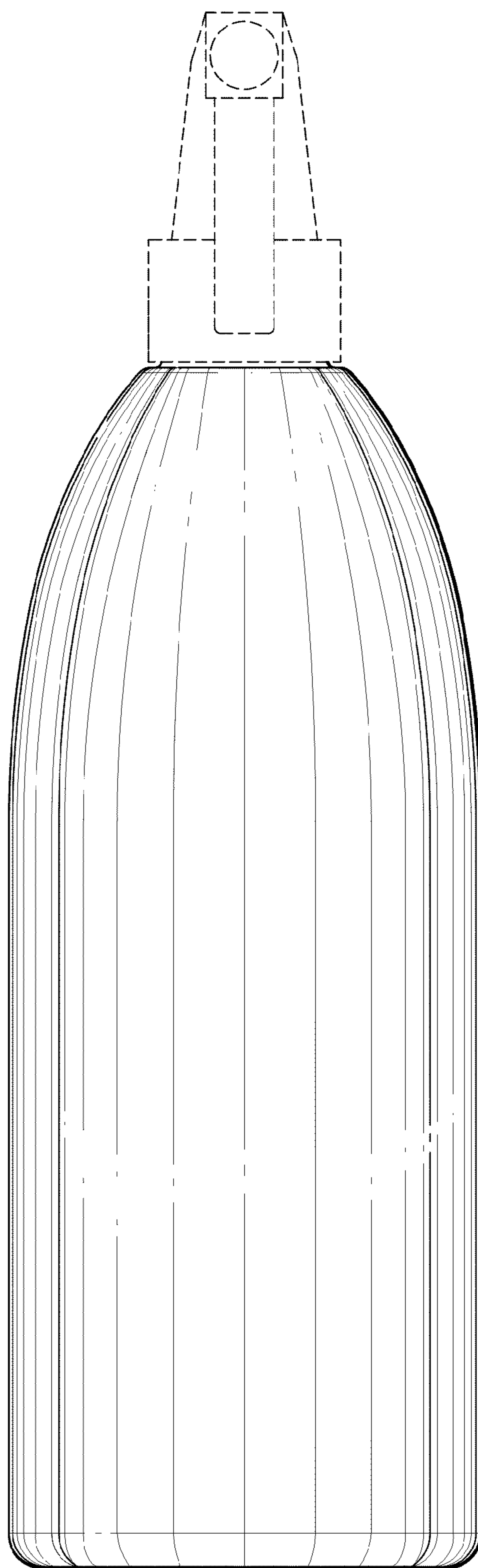


FIG. 2

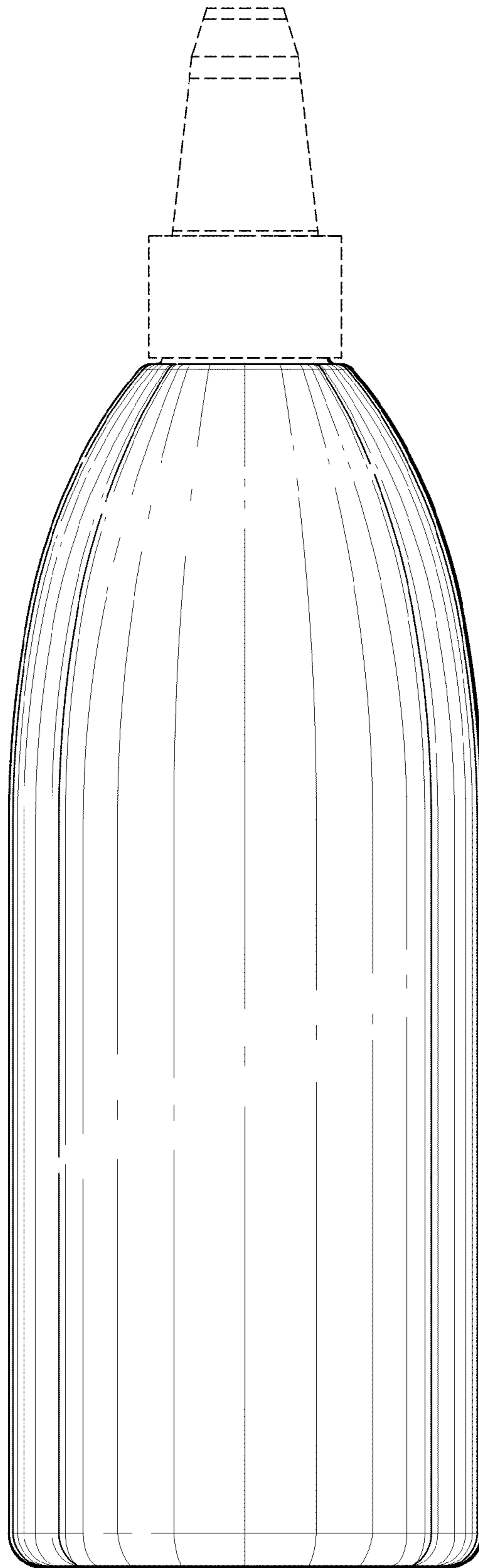


FIG. 3

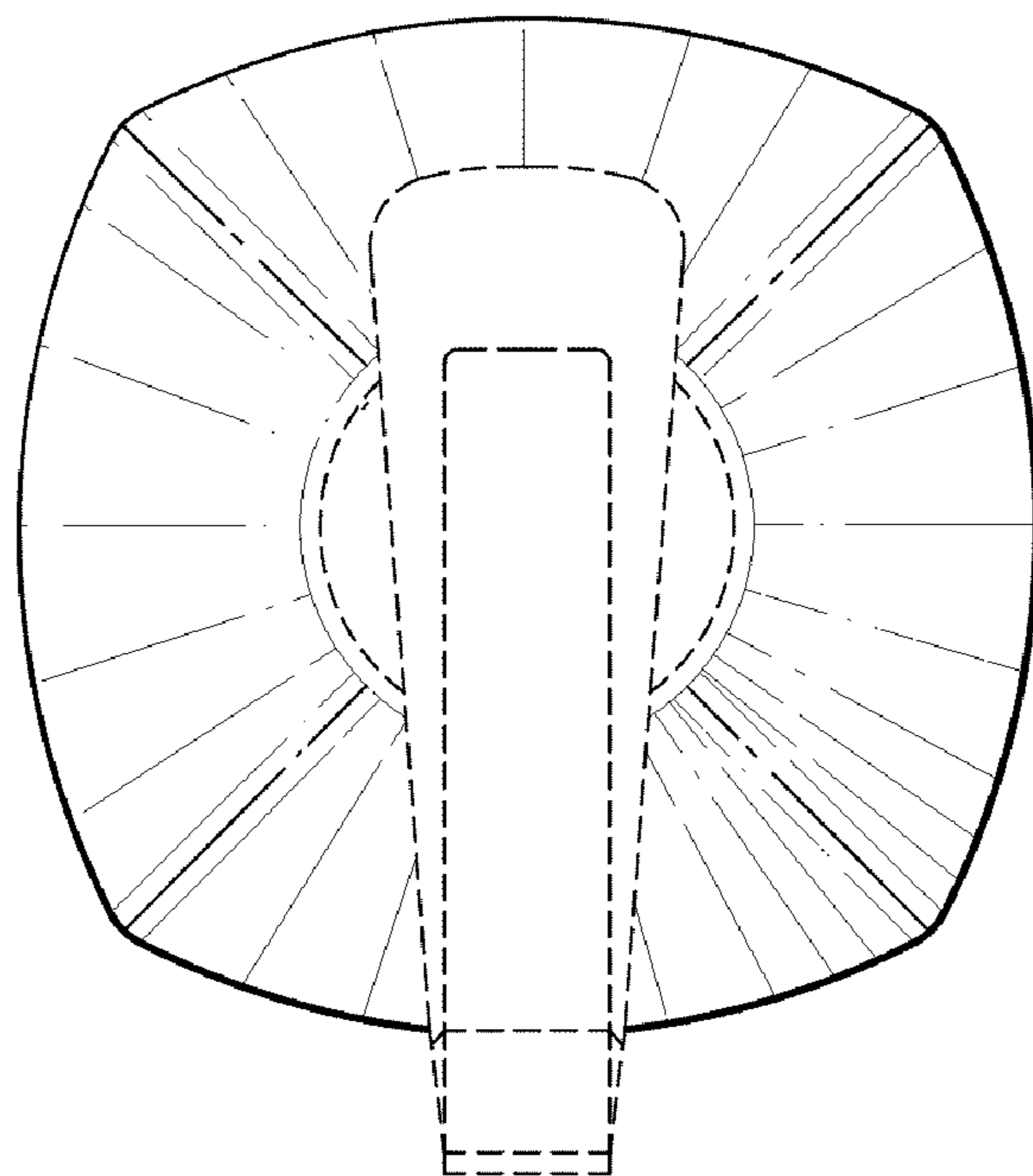


FIG. 4

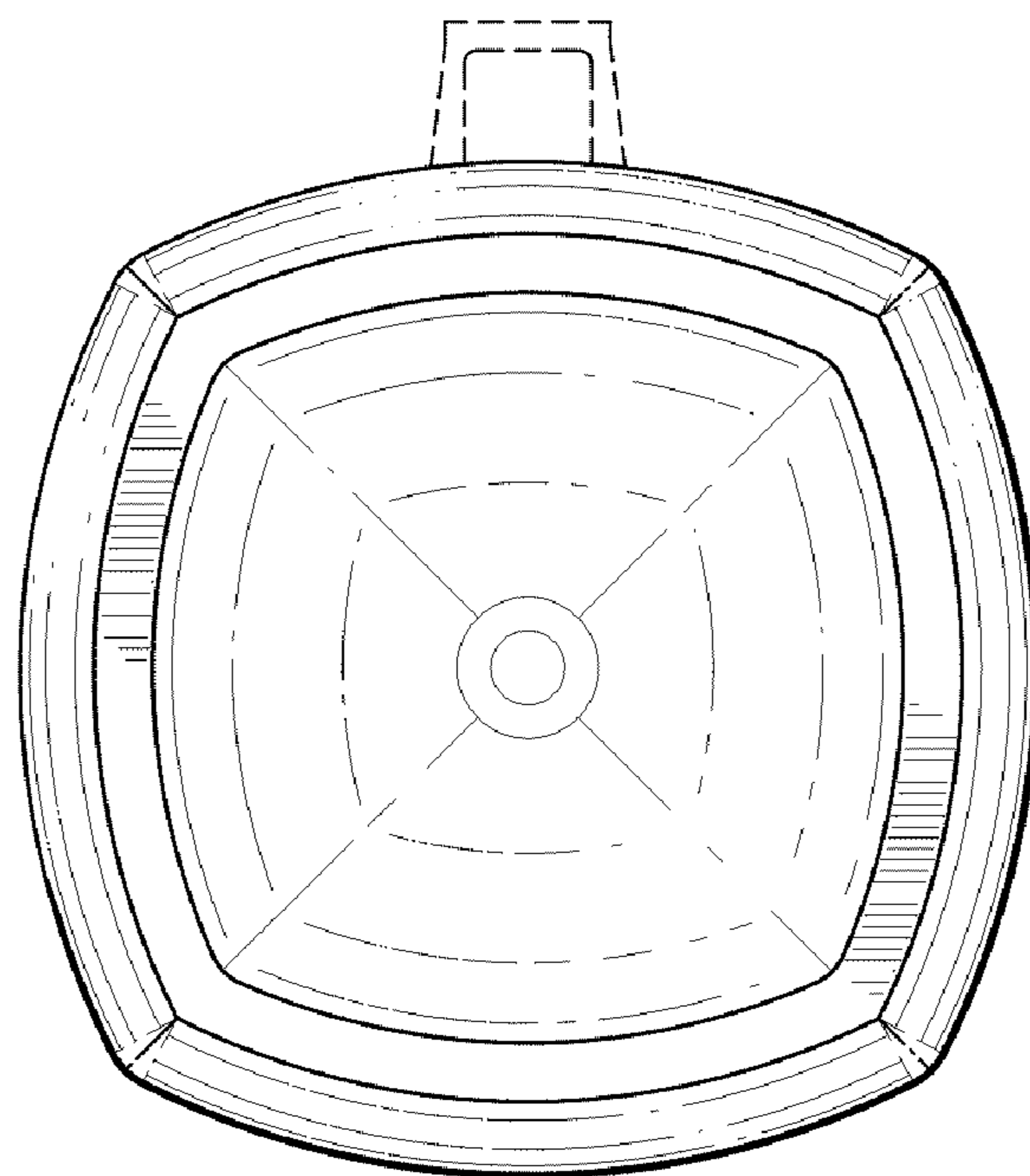


FIG. 5

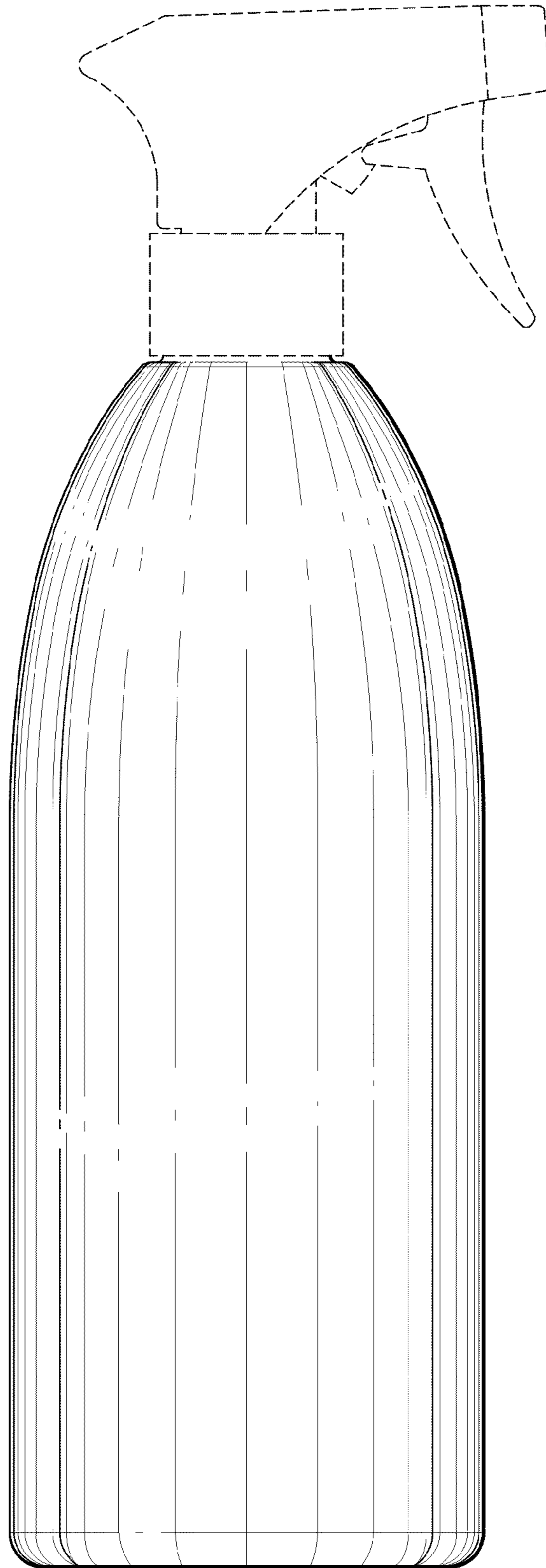


FIG. 6

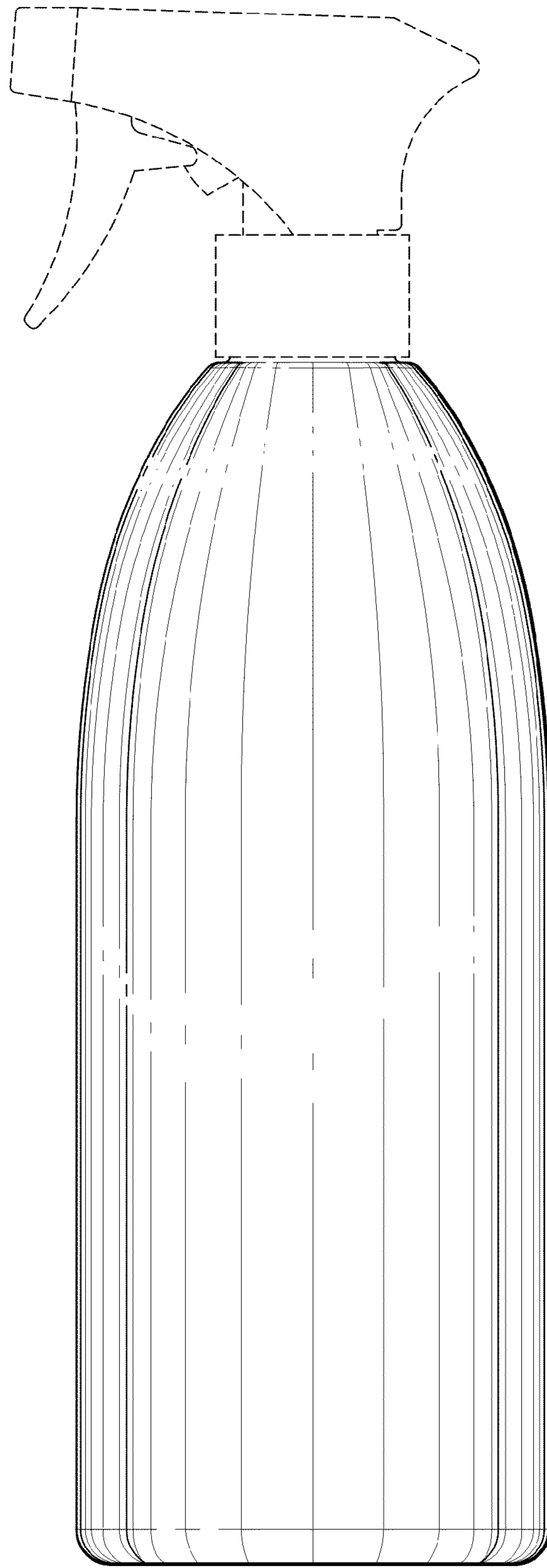


FIG. 7

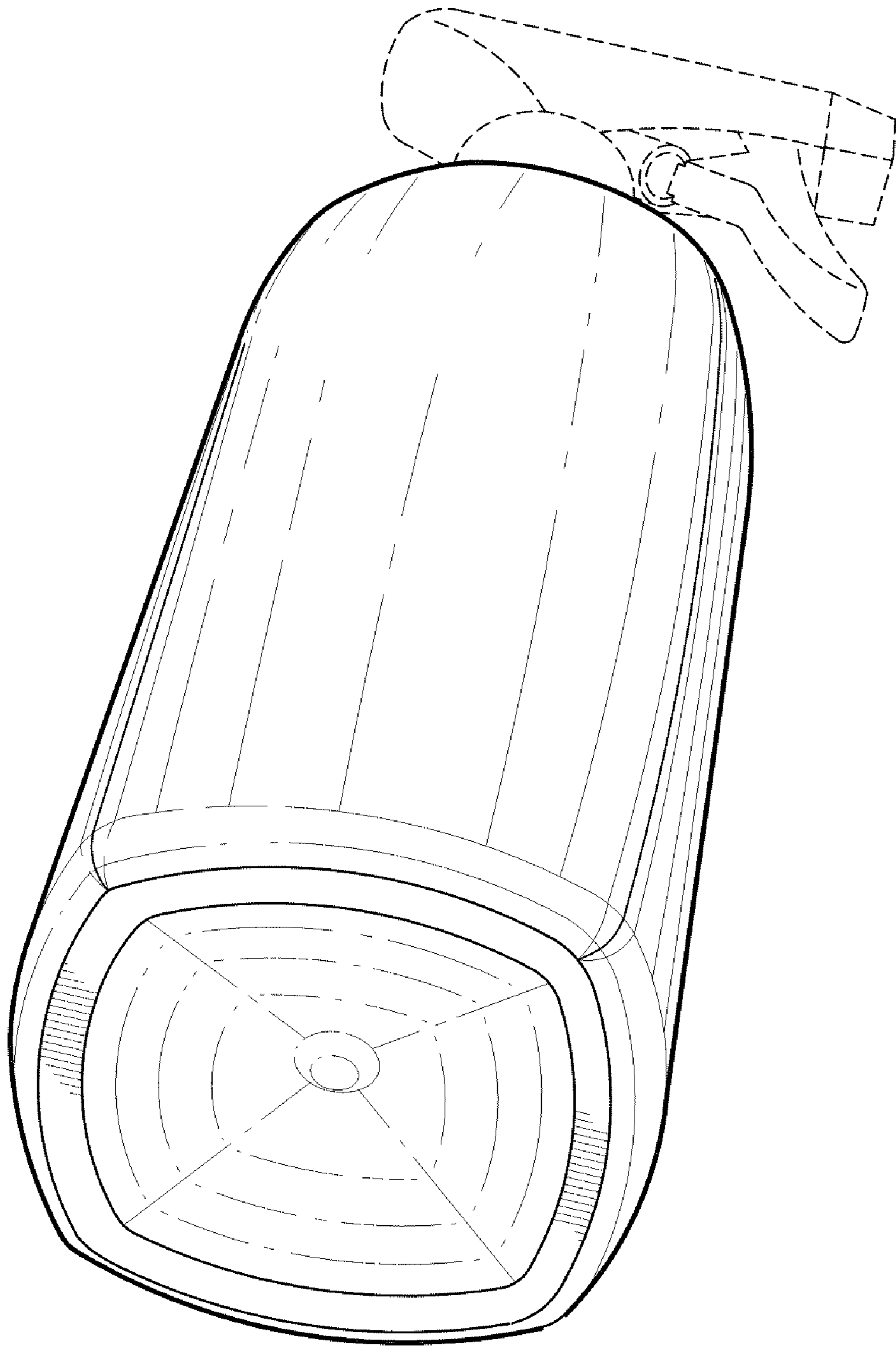


FIG. 8

UNITED STATES PATENT AND TRADEMARK OFFICE
CERTIFICATE OF CORRECTION

PATENT NO. : D649,062 S
APPLICATION NO. : 29/369885
DATED : November 22, 2011
INVENTOR(S) : Handy

Page 1 of 9

It is certified that error appears in the above-identified patent and that said Letters Patent is hereby corrected as shown below:

The Title page;

The Title page, showing the illustrative figure, should be deleted and substitute therefor the attached Title page.

Delete figs. 1-8 and substitute therefor the drawing sheets, consisting of figs. 1-8 as shown on the attached pages.

Signed and Sealed this
Thirty-first Day of July, 2012



David J. Kappos
Director of the United States Patent and Trademark Office

(12) **United States Design Patent**
Handy

(10) **Patent No.:** **US D649,062 S**
(45) **Date of Patent:** **** Nov. 22, 2011**

(54) **BOTTLE**

(75) **Inventor:** **Francis J. Handy**, San Francisco, CA (US)

(73) **Assignee:** **Method Products, Inc.**, San Francisco, CA (US)

(**) **Term:** **14 Years**

(21) **Appl. No.:** **29/369,885**

(22) **Filed:** **Sep. 15, 2010**

(51) **LOC (9) Cl.** **09-01**

(52) **U.S. Cl.** **D9/560; D9/574**

(58) **Field of Classification Search** D9/516,
D9/559-560, 571-575, 682, 685-686, 690-691;
215/379, 381-382; 220/660, 662, 675

See application file for complete search history.

(56) **References Cited**

U.S. PATENT DOCUMENTS

1,173,176 A	2/1916	Coombs	
D93,932 S	* 11/1934	Levine	D9/560
D139,331 S	* 10/1944	Teunisz	D9/560
D205,098 S	* 6/1966	Hallowell, Jr.	D9/546
D210,353 S	* 3/1968	Platte	D9/541
D270,235 S	* 8/1983	Ewry	D9/694
D270,240 S	* 8/1983	Ewry	D9/560
D481,956 S	* 11/2003	Pinnavaia	D9/560
D548,098 S	* 8/2007	Lauret	D9/544
D573,481 S	* 7/2008	Chewning et al.	D9/560
D578,407 S	* 10/2008	Chewning et al.	D9/560
D582,784 S	* 12/2008	Boiros et al.	D9/560
D594,343 S	* 6/2009	Leruste	D9/560

FOREIGN PATENT DOCUMENTS

WO DM/061969 * 10/2002

OTHER PUBLICATIONS

"pro chef multi-surface kitchen cleaner", <http://www.methodhome.com/product/pro-chef-multi-surface-kitchn-cleaner/>?, downloaded Oct. 20, 2010.

* cited by examiner

Primary Examiner — Ian Simmons

Assistant Examiner — Dana L Sipos

(74) *Attorney, Agent, or Firm* — Sterne, Kessler, Goldstein & Fox PLLC

(57) **CLAIM**

The ornamental design for a bottle, as shown and described.

DESCRIPTION

FIG. 1 is a front perspective view of a bottle showing my new design;

FIG. 2 is a front view thereof;

FIG. 3 is a rear view thereof;

FIG. 4 is a top plan view thereof;

FIG. 5 is a bottom plan view thereof;

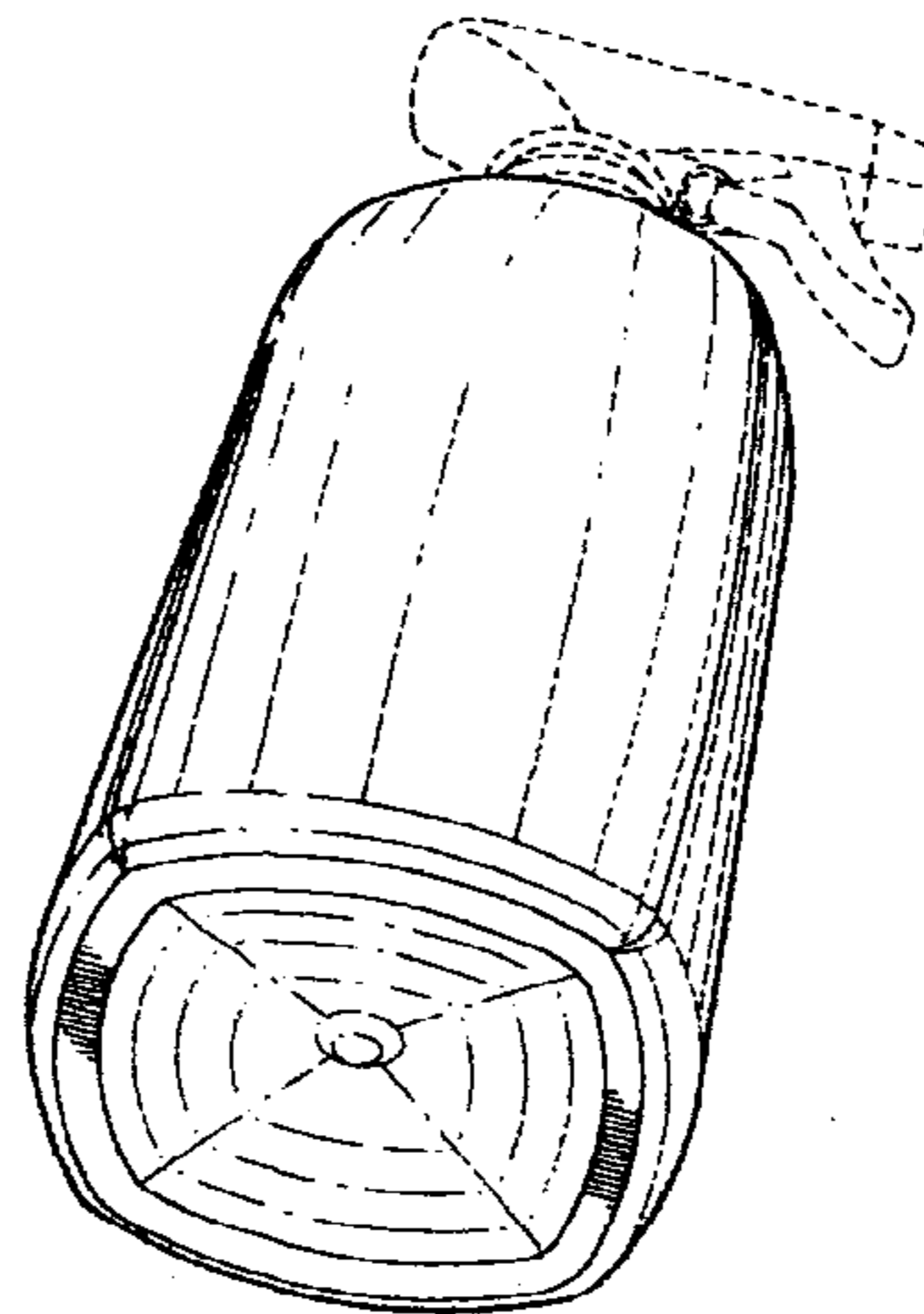
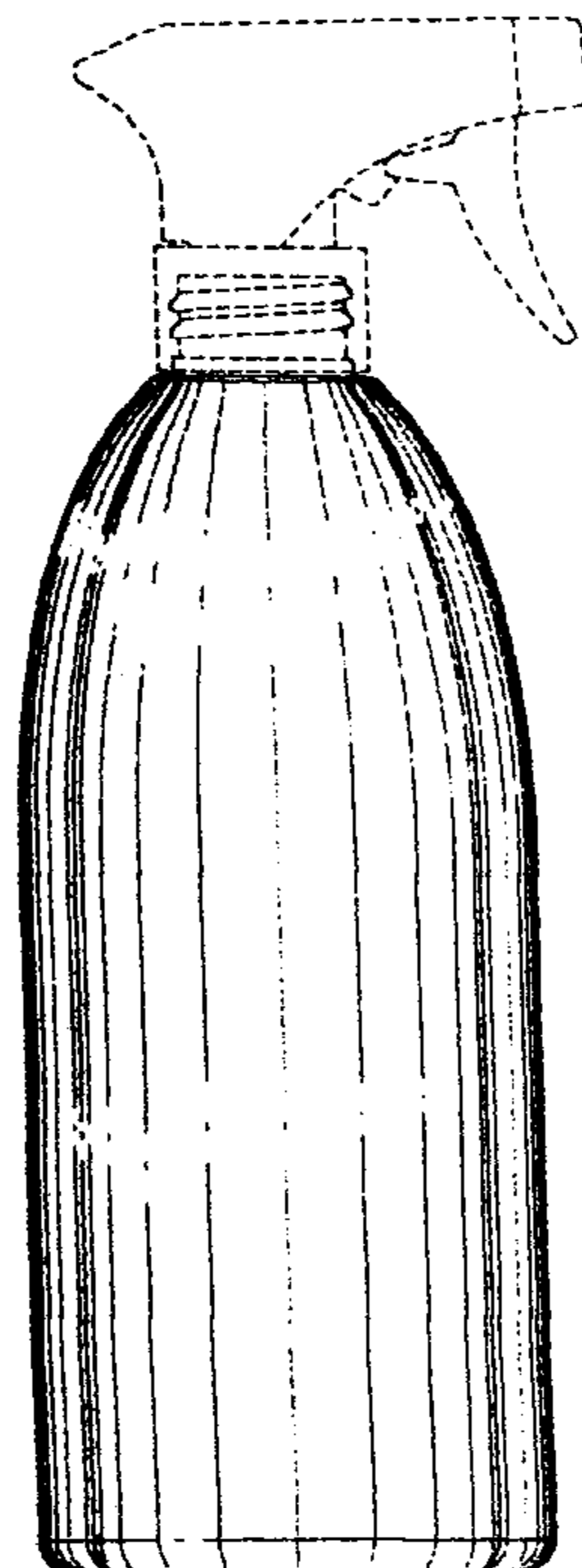
FIG. 6 is a left side view thereof;

FIG. 7 is a right side view thereof; and,

FIG. 8 is a bottom perspective view thereof.

The broken lines show portions of the bottle which form no part of the claimed design.

1 Claim, 7 Drawing Sheets



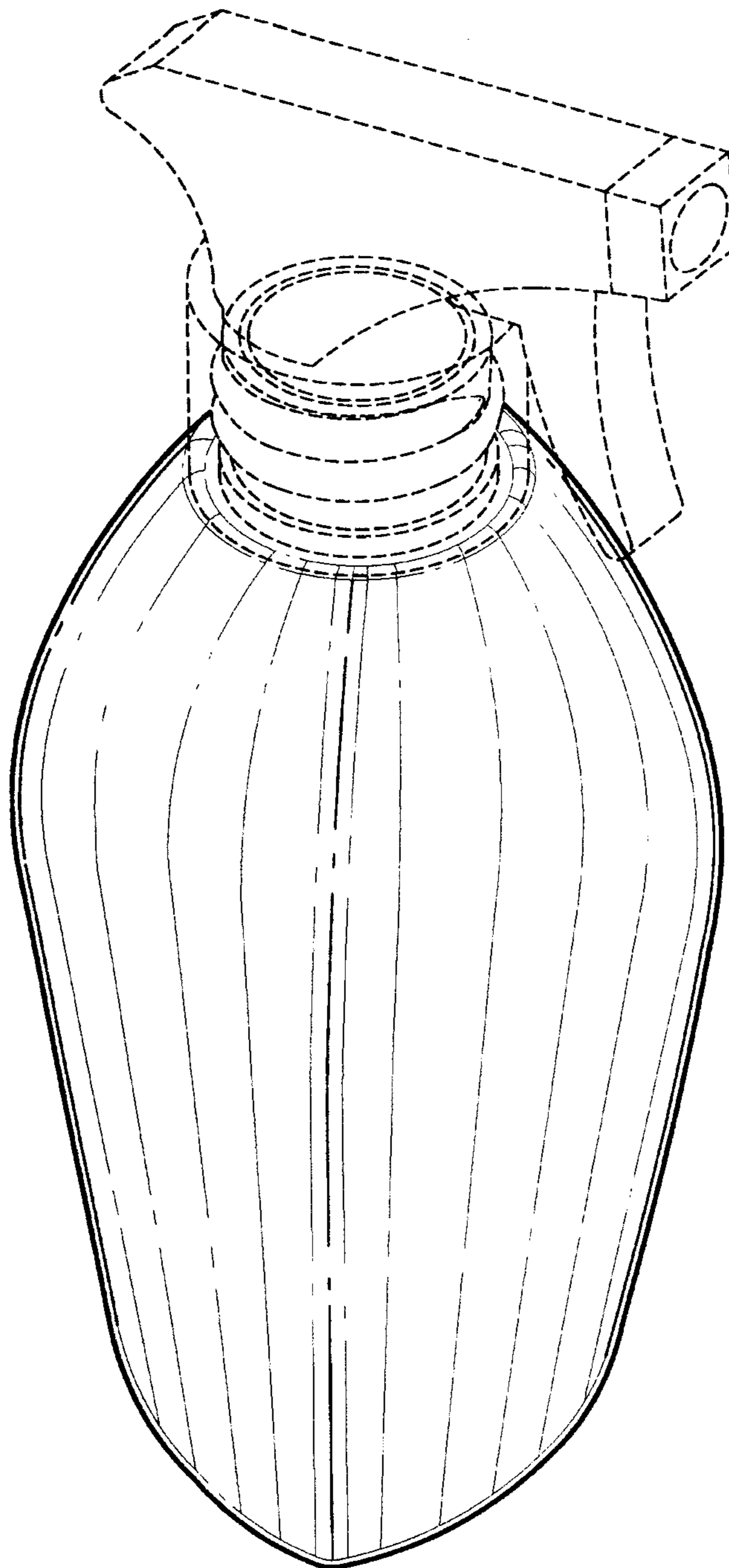


FIG. 1

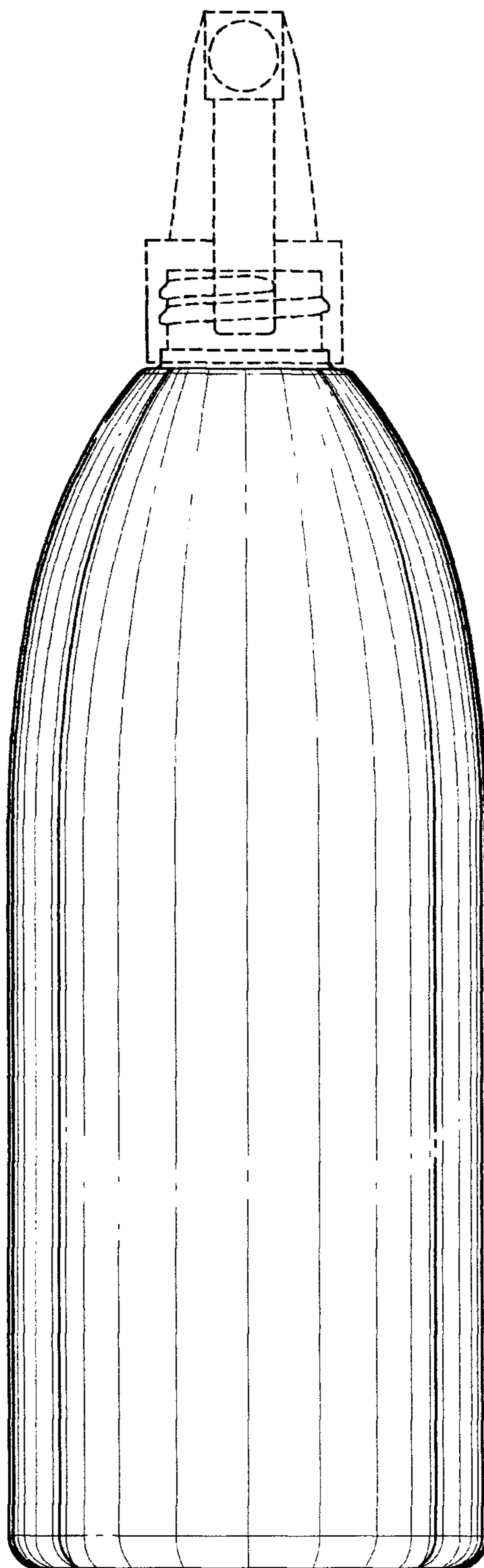


FIG. 2

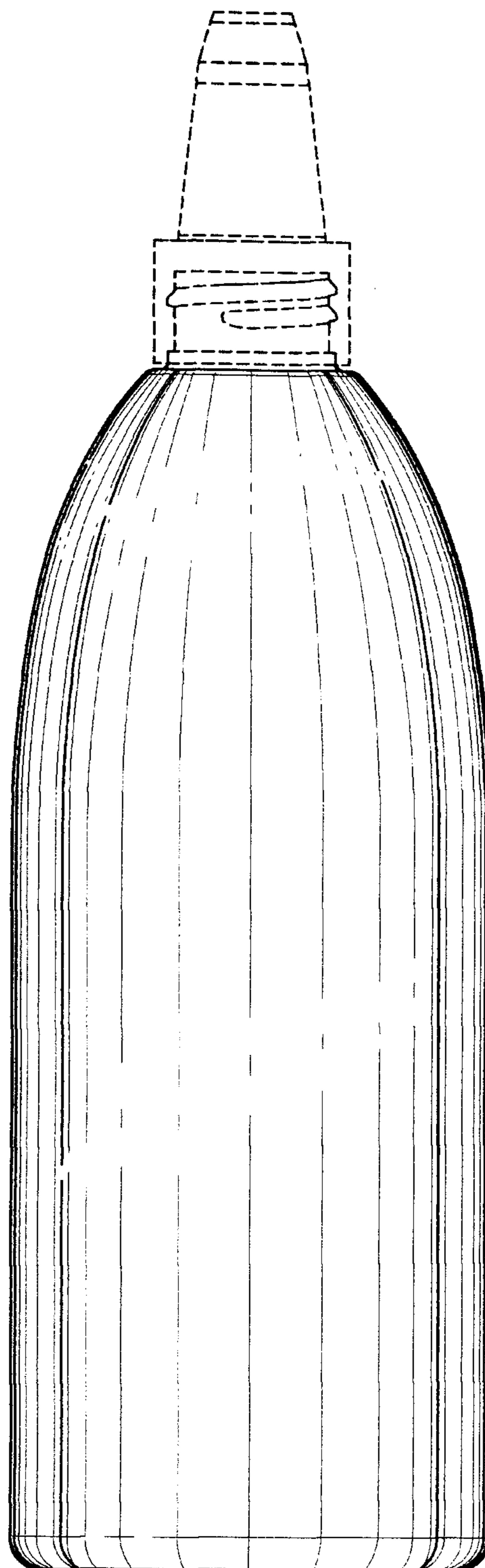


FIG. 3

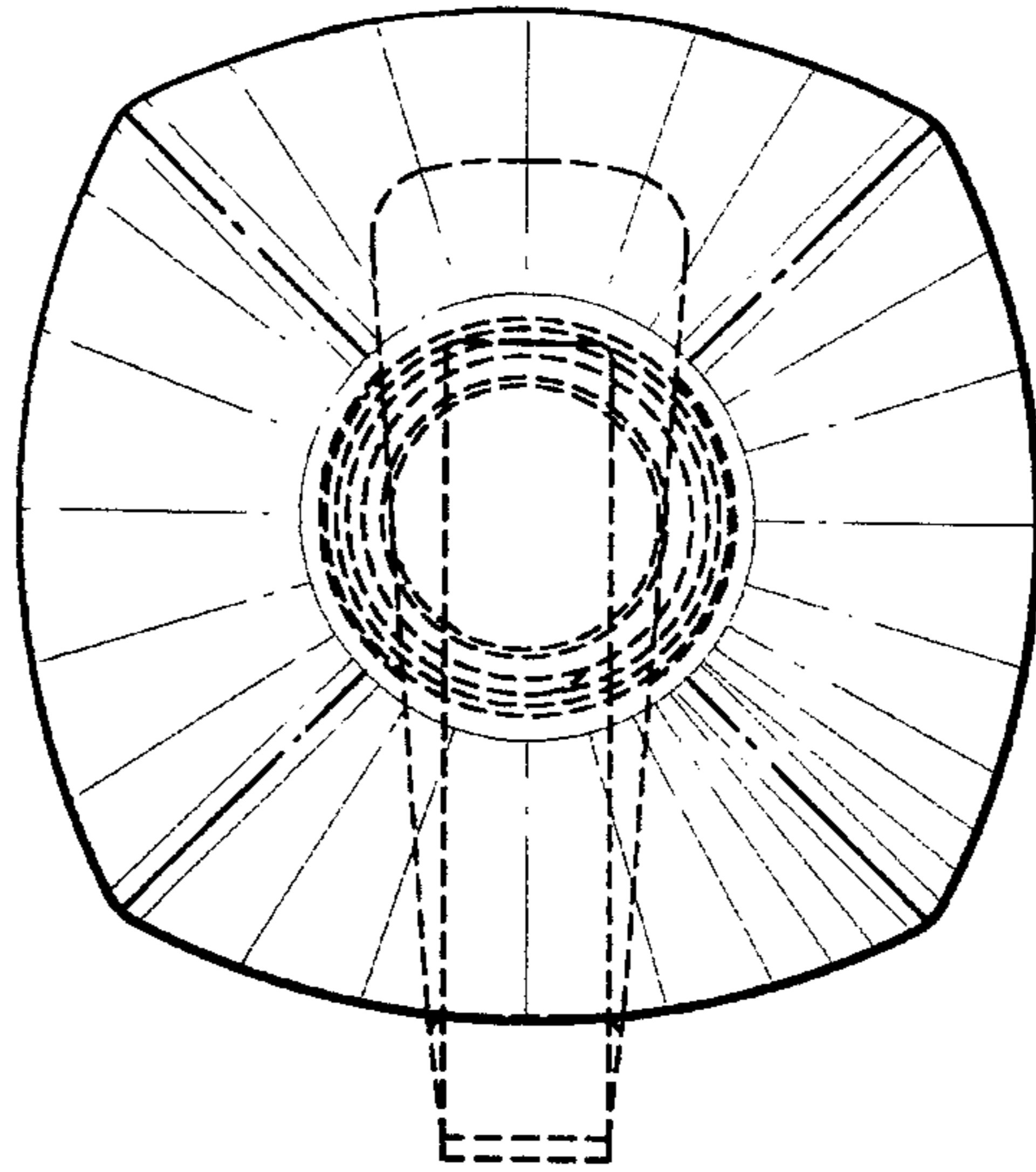


FIG. 4

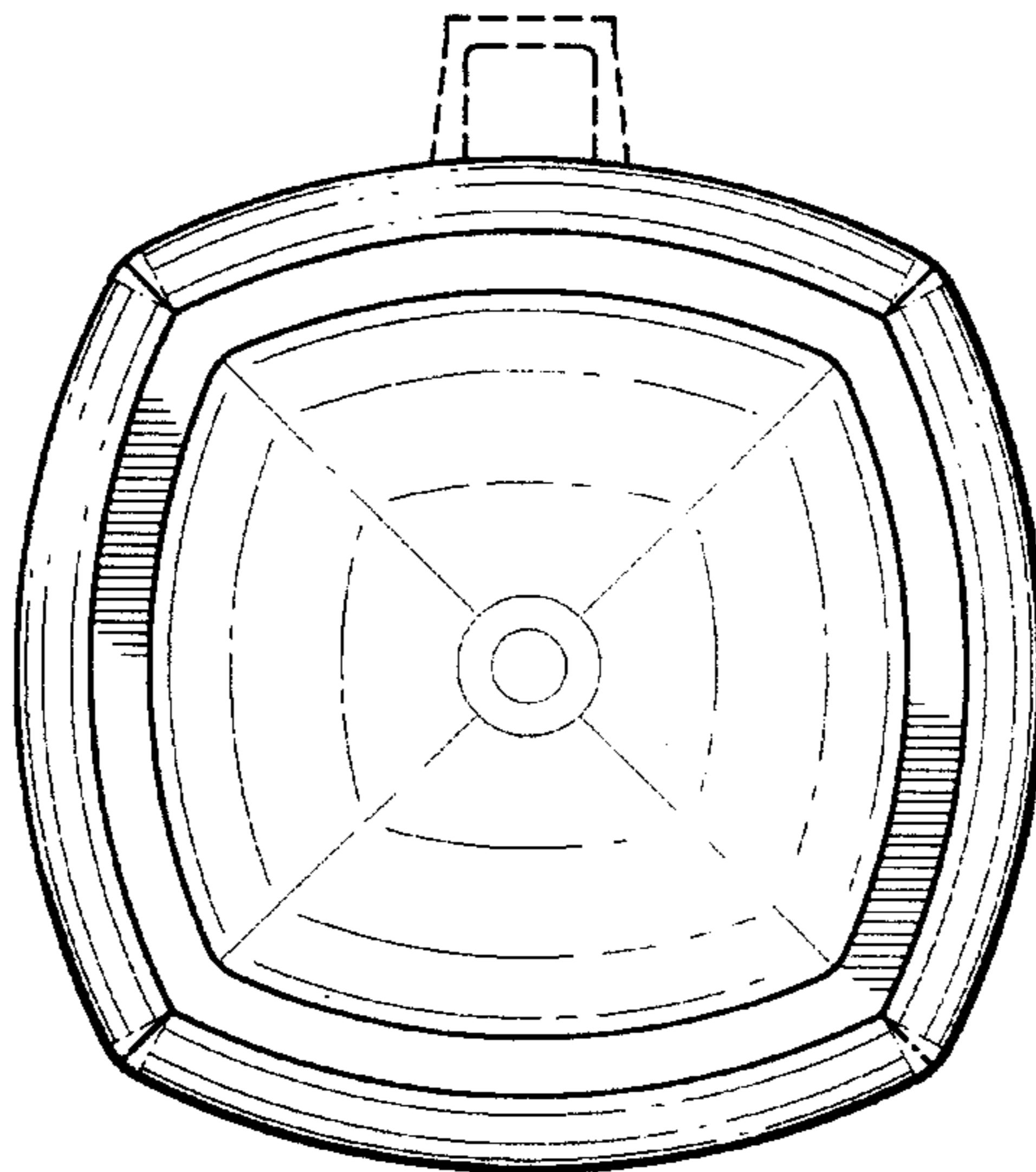


FIG. 5

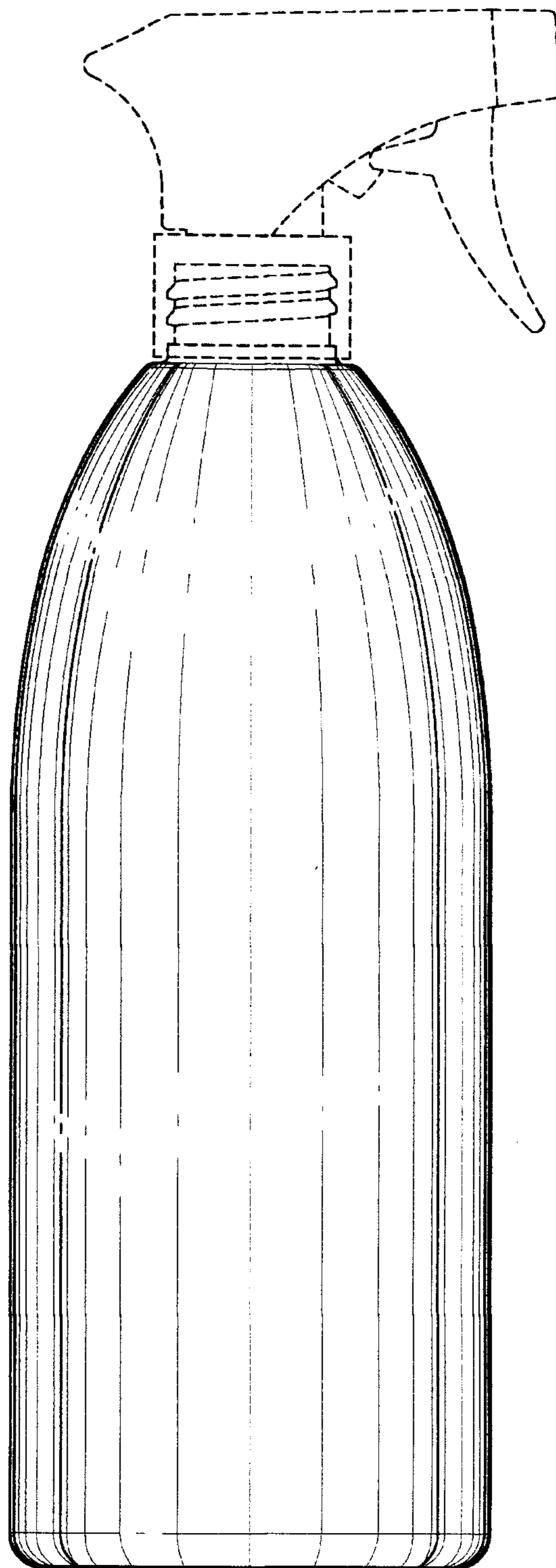


FIG. 6

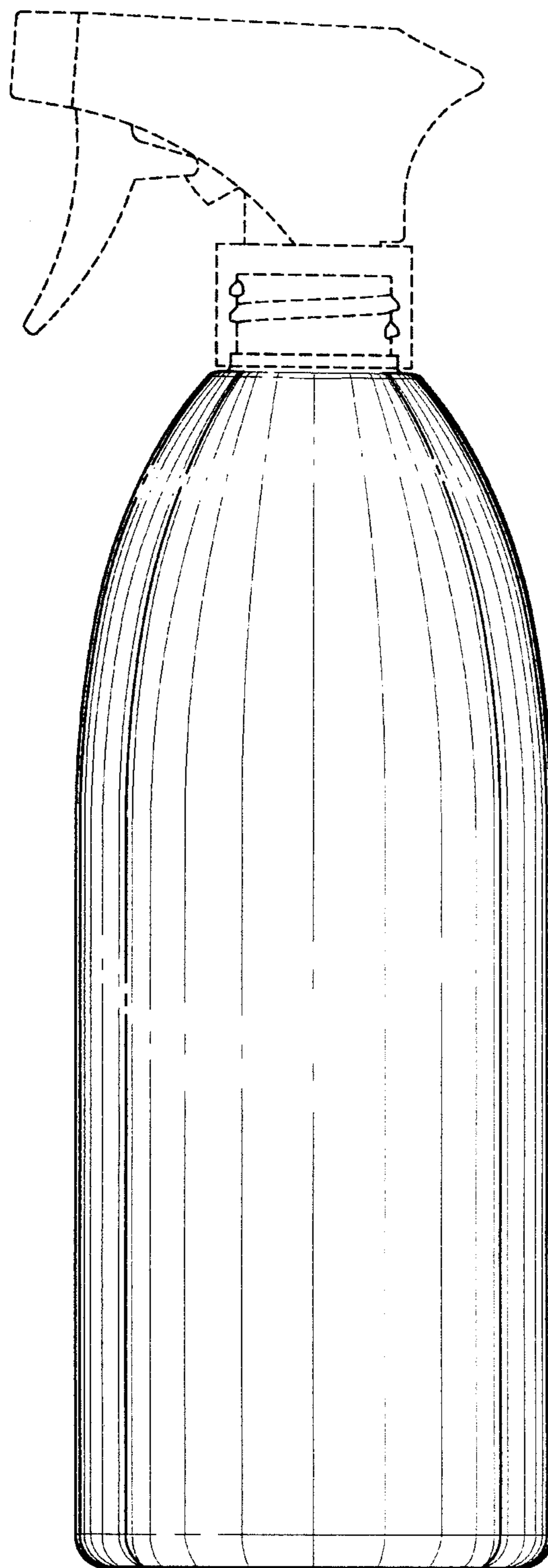


FIG. 7

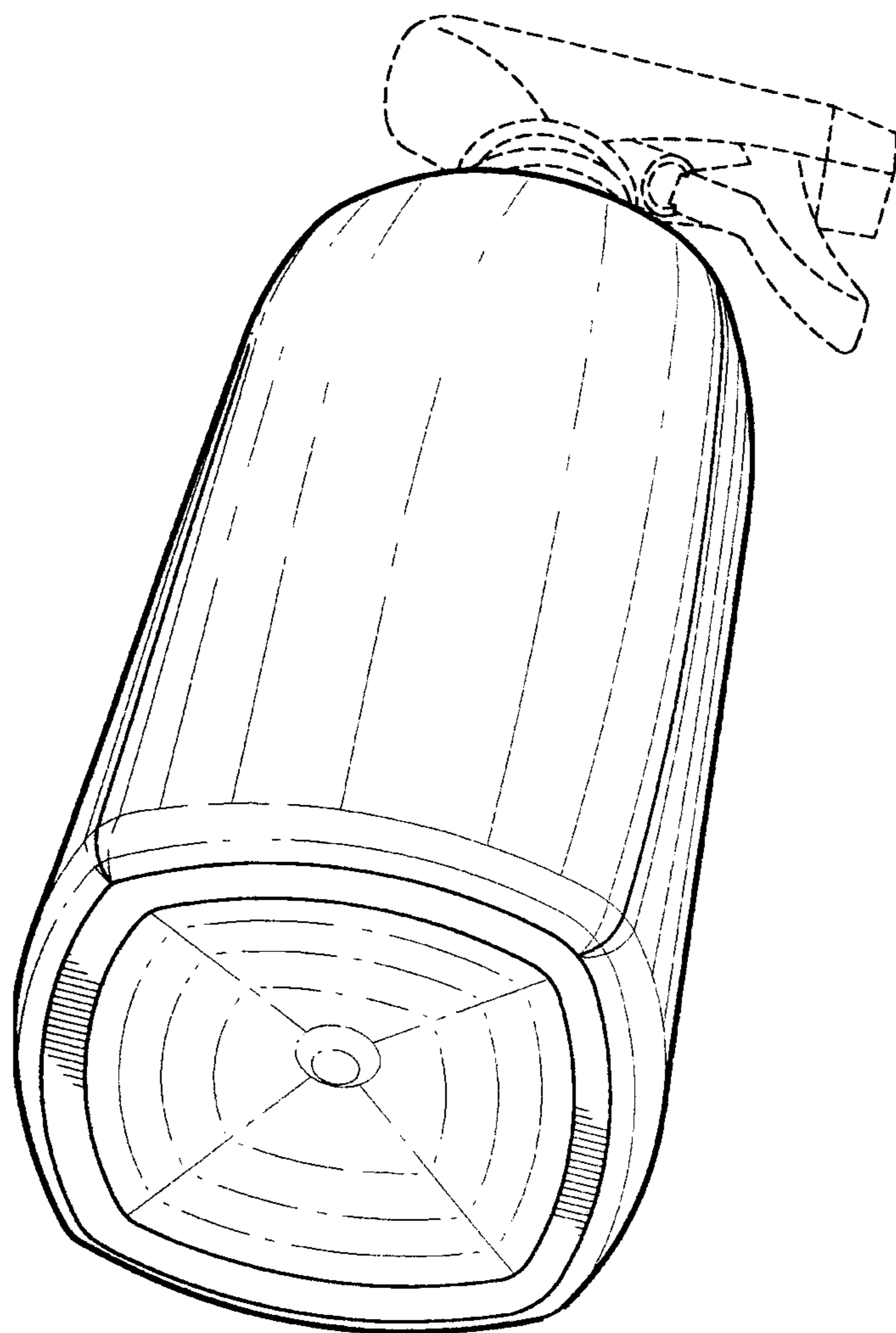


FIG. 8