



US00D649056S

(12) **United States Design Patent**
Puigbo

(10) **Patent No.:** **US D649,056 S**

(45) **Date of Patent:** **** Nov. 22, 2011**

(54) **FLASK**

(76) Inventor: **Aniceto Canamasas Puigbo**, Cornella de Llobregat (ES)

(**) Term: **14 Years**

(21) Appl. No.: **29/347,712**

(22) Filed: **Apr. 19, 2010**

(30) **Foreign Application Priority Data**

Oct. 19, 2009 (EM) 001171482-0001

(51) **LOC (9) Cl.** **09-01**

(52) **U.S. Cl.** **D9/504**

(58) **Field of Classification Search** D9/500,
D9/502-505, 516, 51, 537-540, 545-546,
D9/549-550, 557-558, 574-575, 682, 686,
D9/688-692, 763-764, 772-773, 776-777,
D9/905; D7/300, 300.1, 589, 591, 598, 601,
D7/605, 608; 215/379, 381-384; 220/660,
220/662, 669-673, 675; D28/4, 9, 73, 76,
D28/83, 91

See application file for complete search history.

(56) **References Cited**

U.S. PATENT DOCUMENTS

3,265,238	A *	8/1966	Teuber et al.	220/281
D484,646	S *	12/2003	Ditrichstein	D28/83
D486,393	S *	2/2004	Chuang	D9/503
D595,577	S *	7/2009	Uneno	D9/504
D613,168	S *	4/2010	Rowland et al.	D9/504
D613,603	S *	4/2010	Rowland et al.	D9/504

* cited by examiner

Primary Examiner — Ian Simmons

Assistant Examiner — Dana L Sipos

(74) *Attorney, Agent, or Firm* — Dowell & Dowell, PC

(57) **CLAIM**

The ornamental design for a flask, as shown and described.

DESCRIPTION

FIG. 1 is a bottom plan view of a flask showing my new design;

FIG. 2 is a top plan view thereof;

FIG. 3 is a front elevation view thereof;

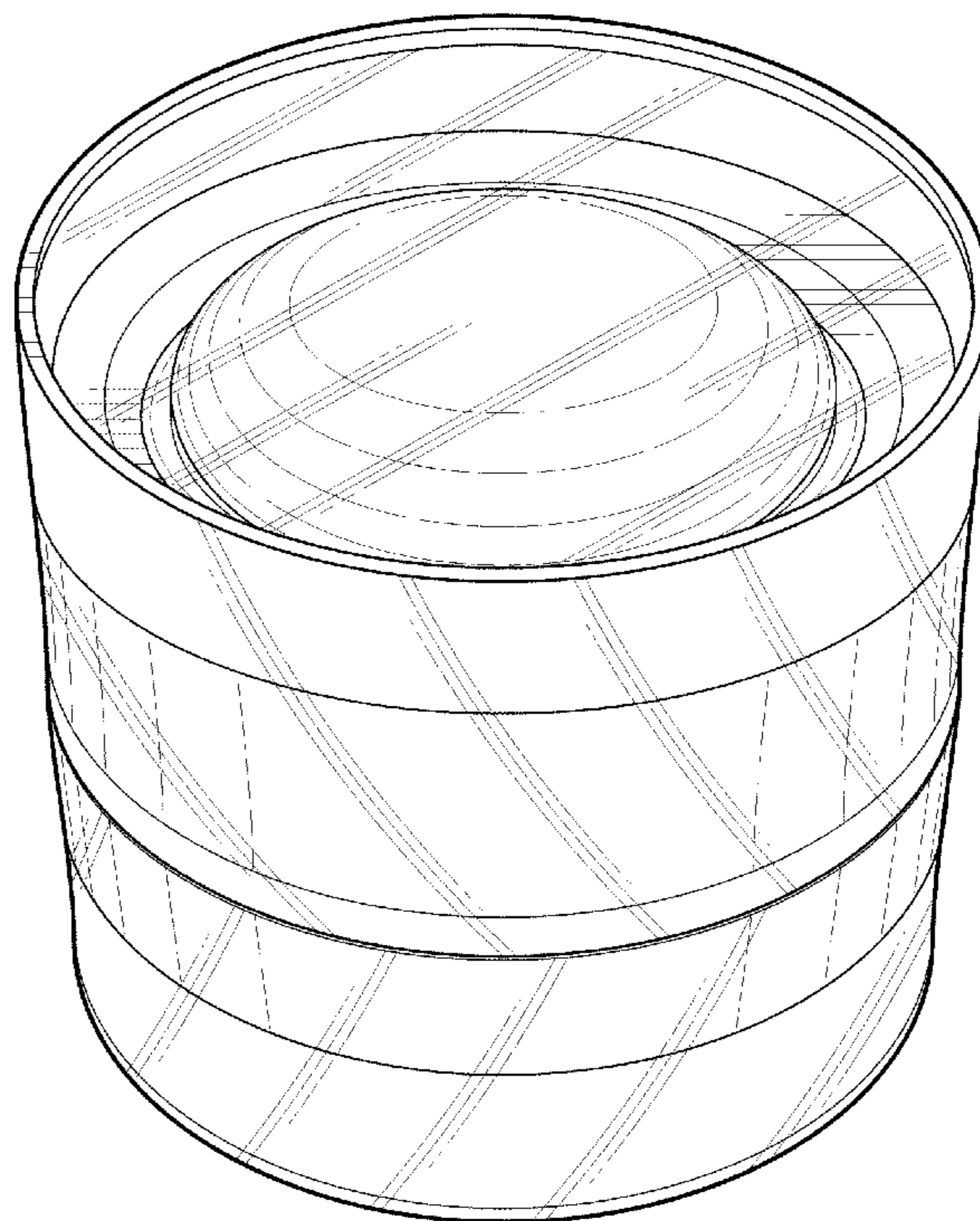
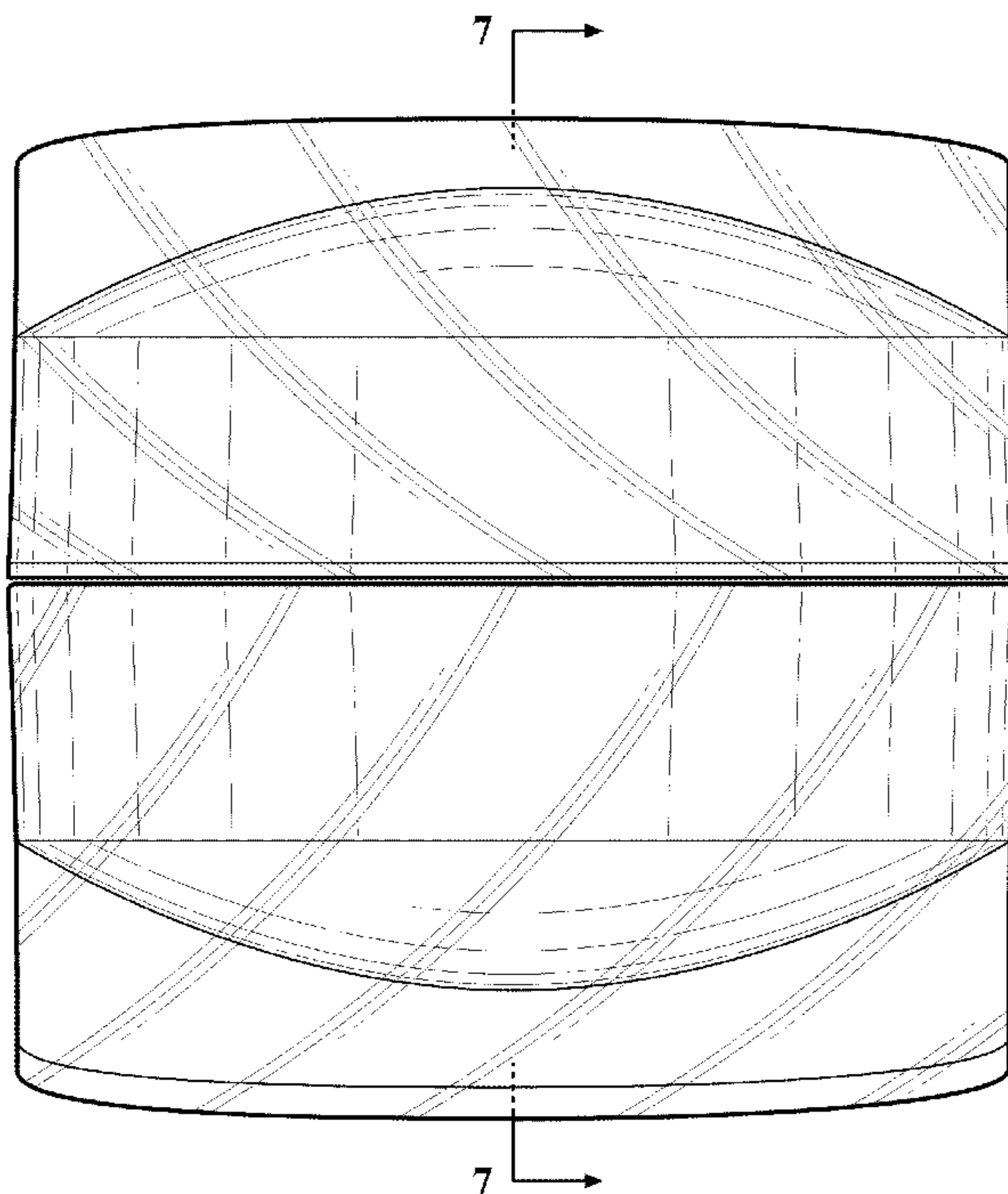
FIG. 4 is a top perspective view thereof;

FIG. 5 is a top perspective view thereof, shown in the open position with the closure portion removed;

FIG. 6 is a bottom perspective view of the closure portion of the flask of FIG. 1; and,

FIG. 7 is a cross-section view of the claimed design taken along the line 7-7 in FIG. 3.

1 Claim, 7 Drawing Sheets



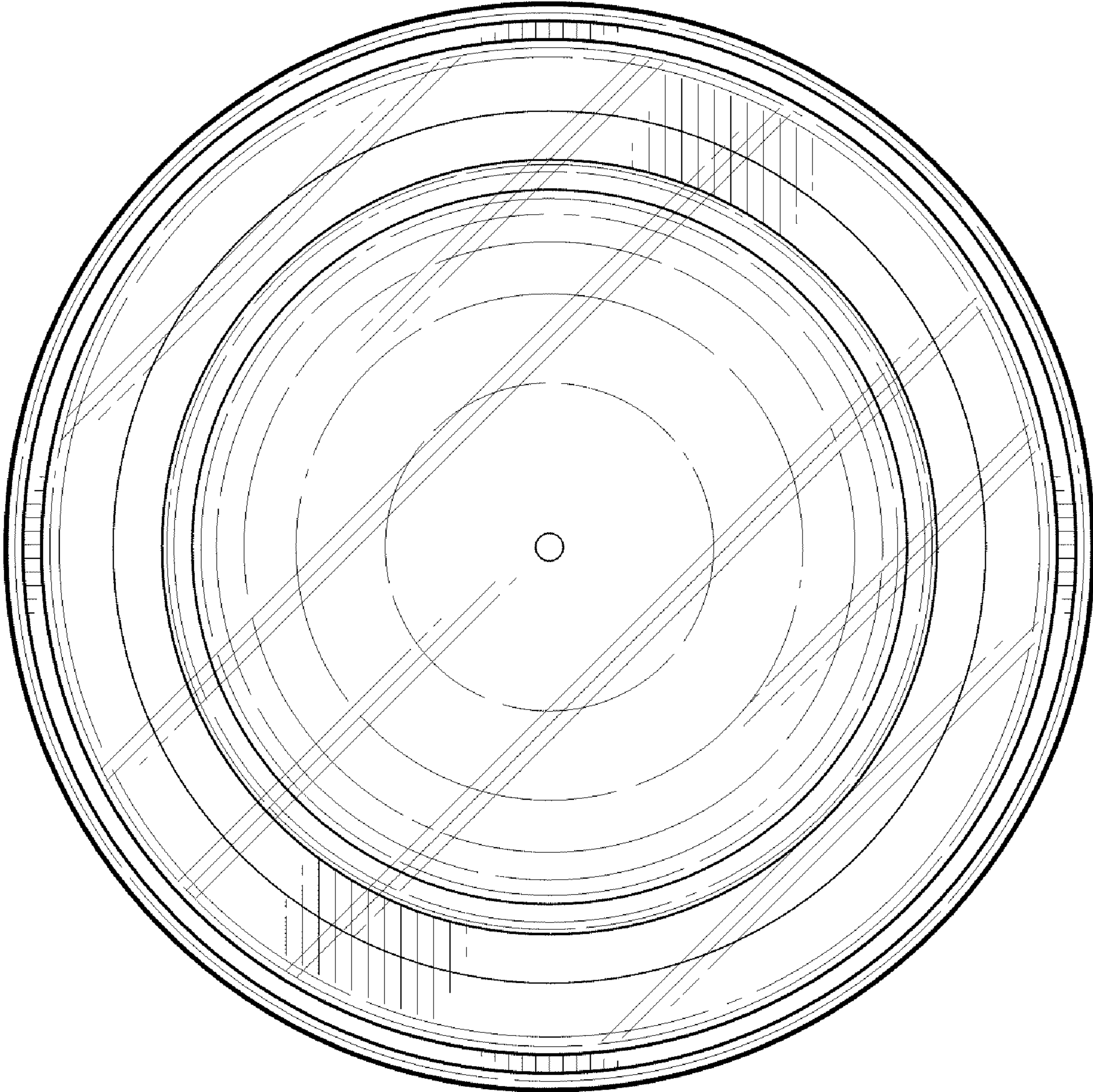


FIG. 1

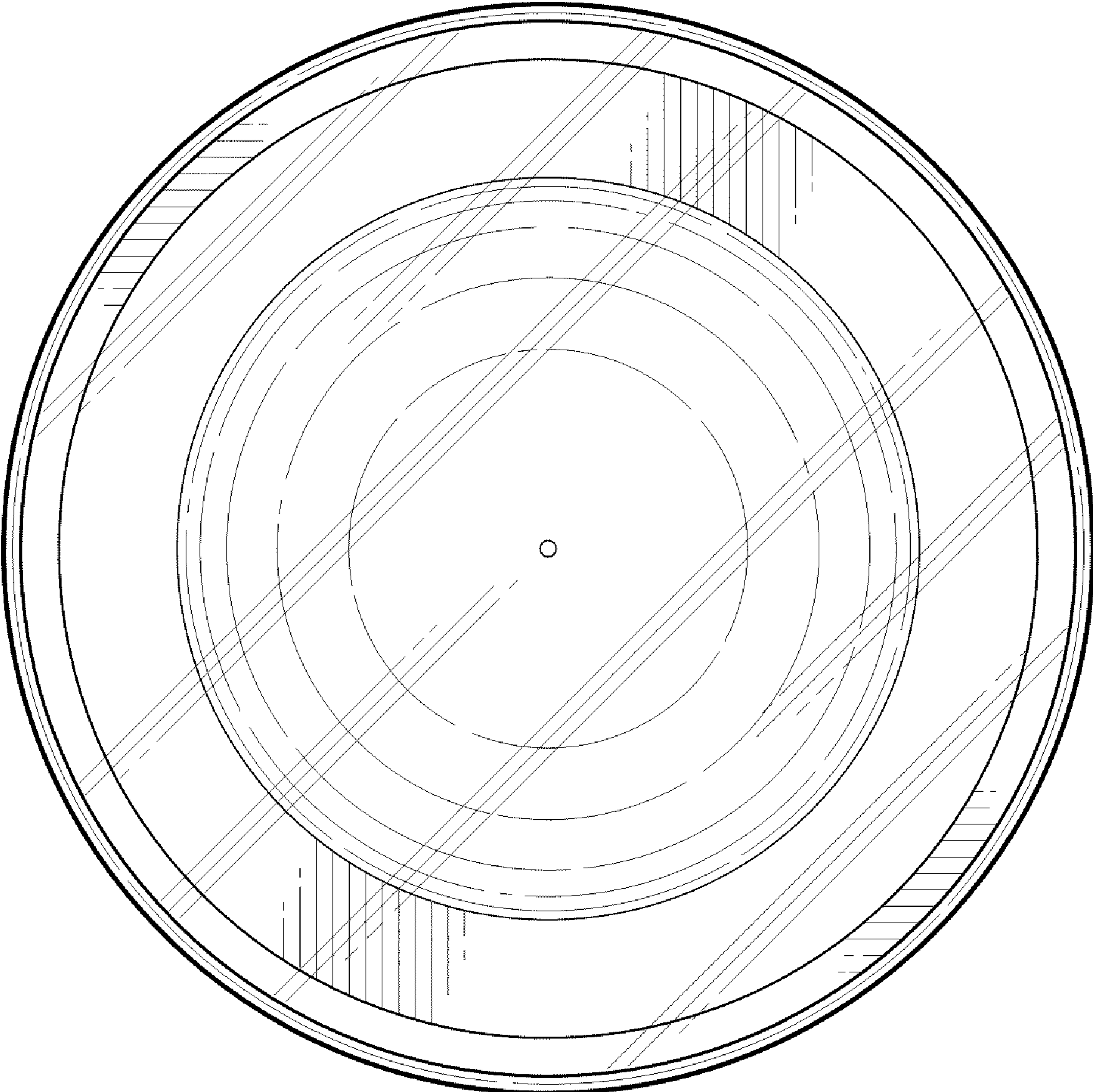


FIG. 2

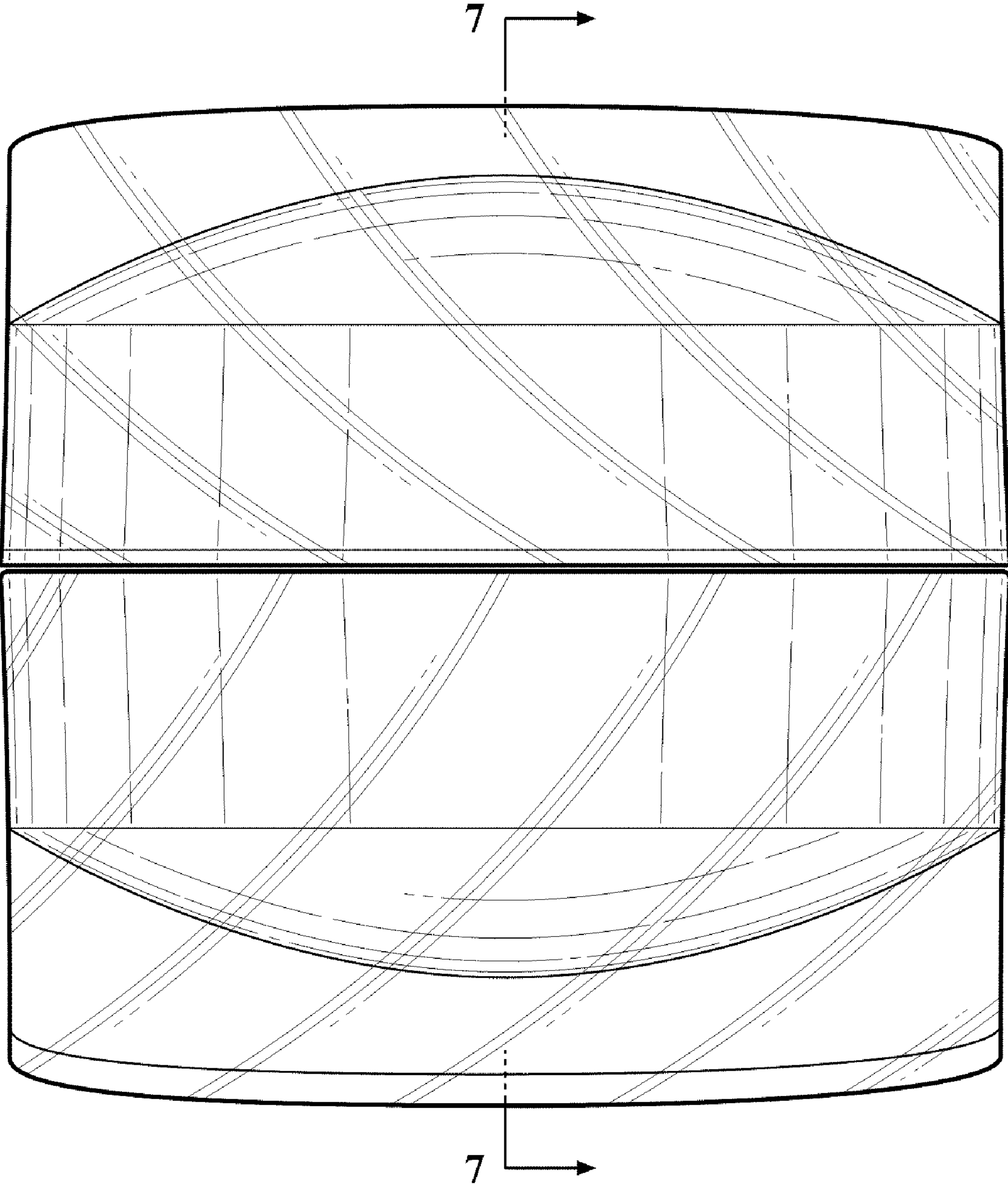


FIG. 3

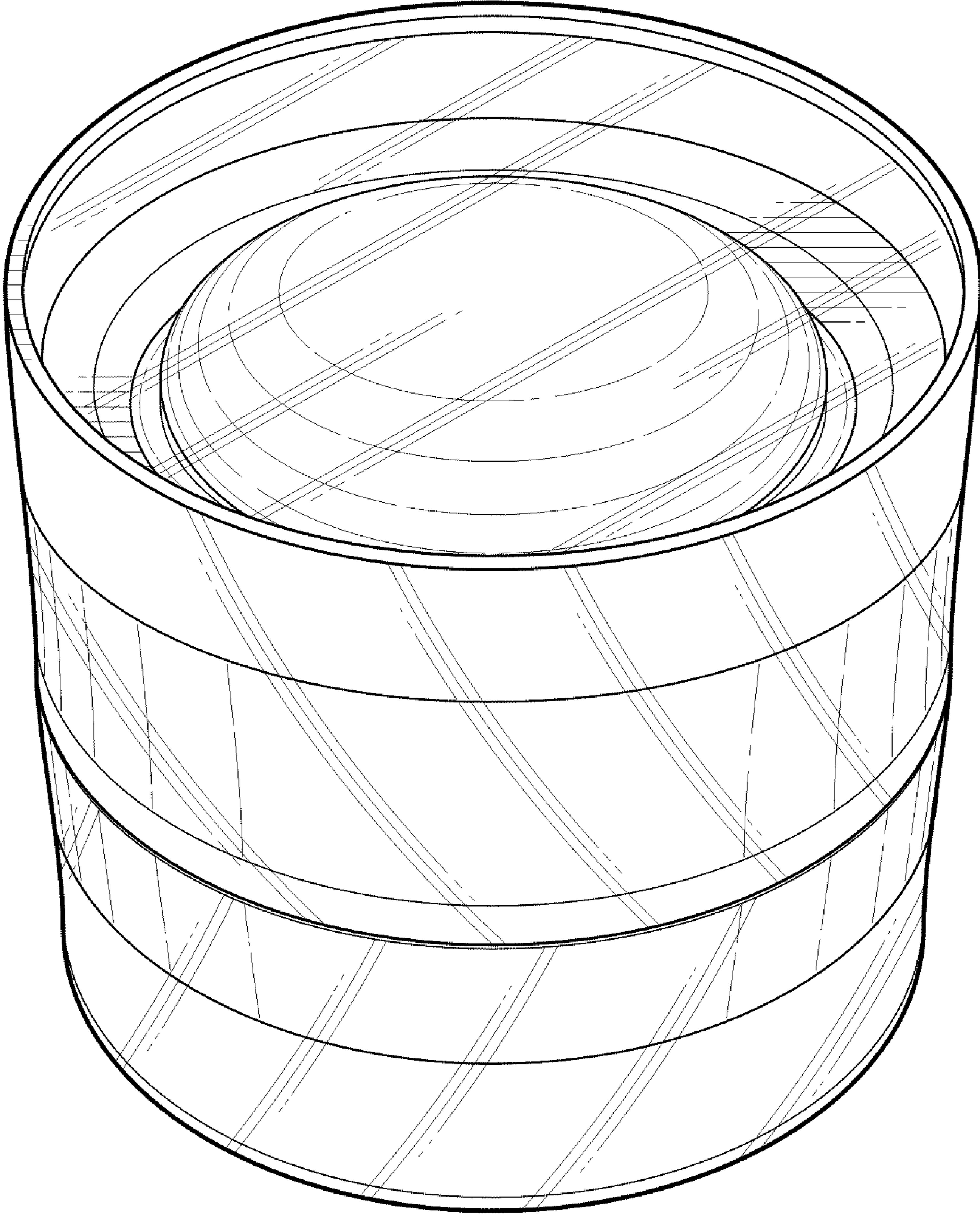


FIG. 4

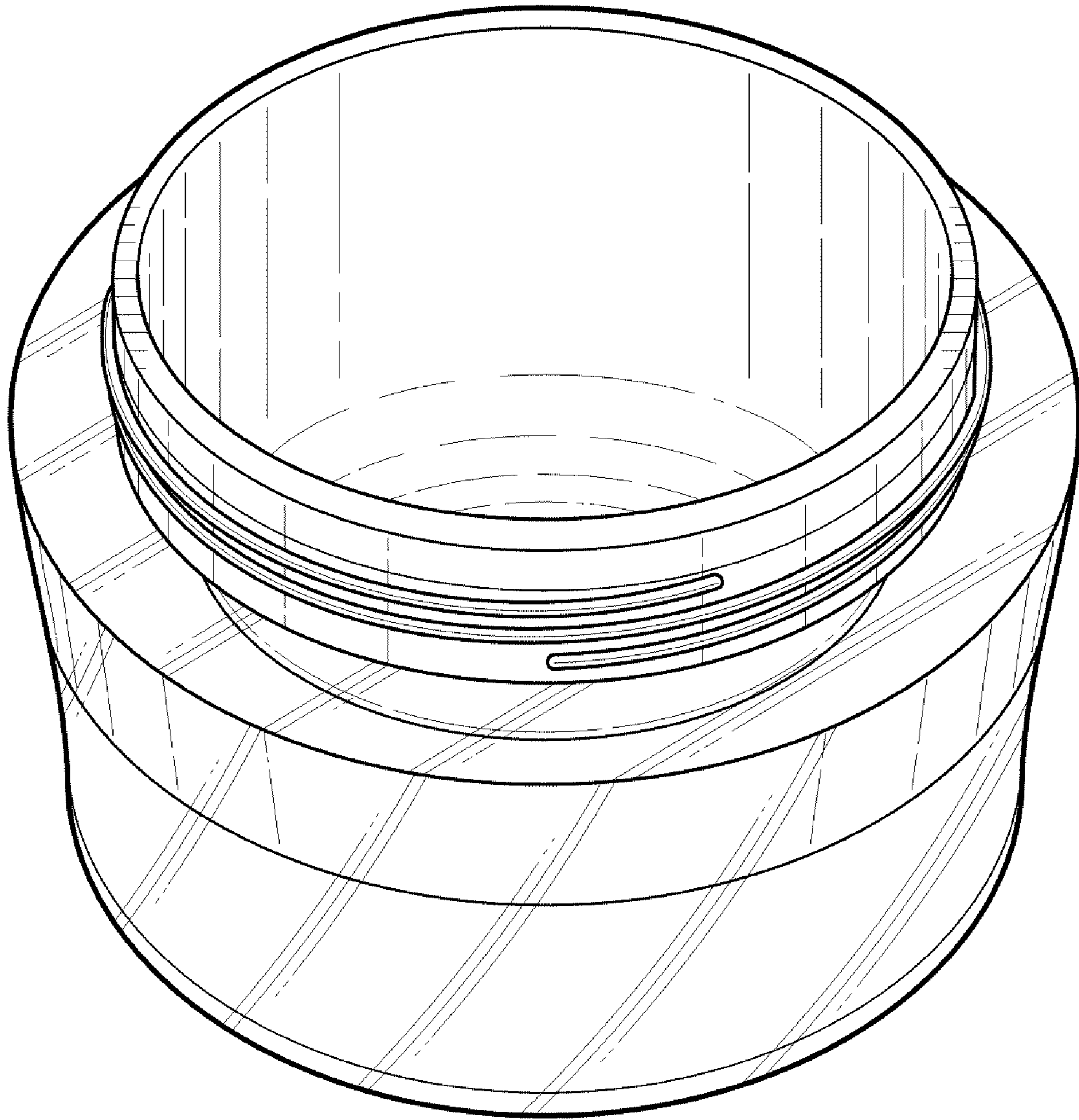


FIG. 5

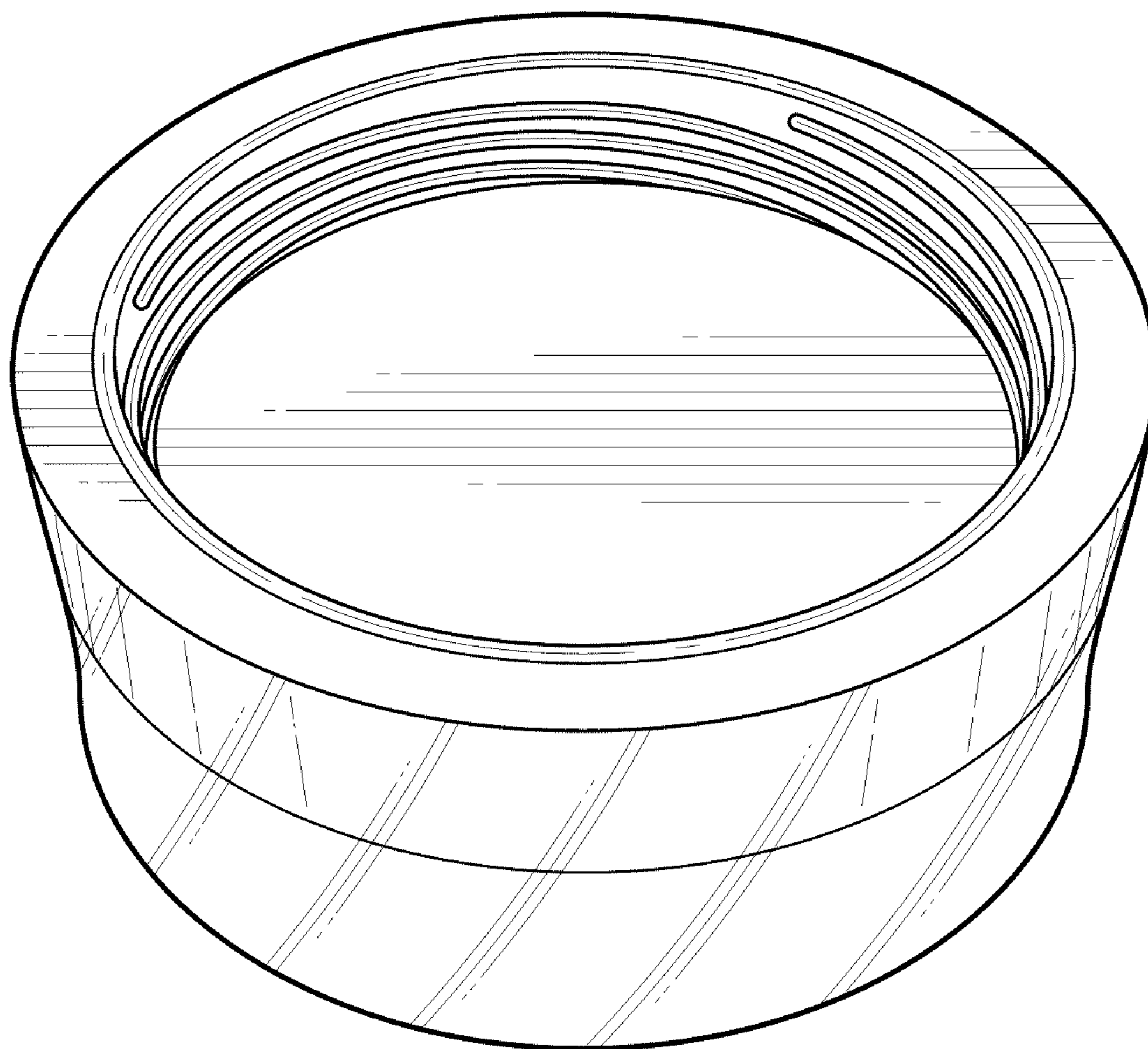


FIG. 6

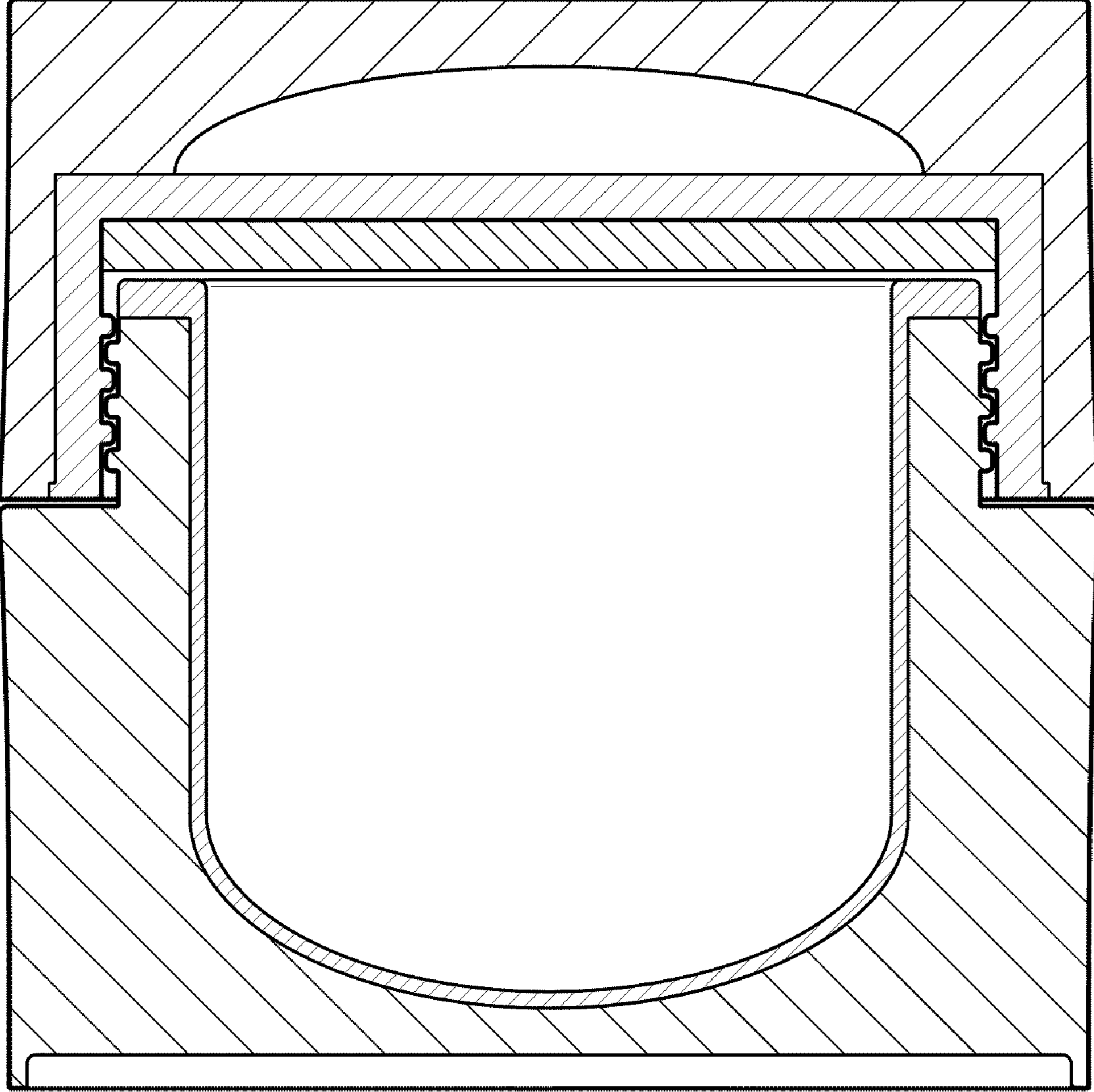


FIG. 7