



US00D649055S

(12) **United States Design Patent**  
**Fracasso**

(10) **Patent No.:** **US D649,055 S**

(45) **Date of Patent:** **\*\* Nov. 22, 2011**

(54) **FLEXIBLE TUBE WITH FLIP-TOP CLOSURE**

(75) Inventor: **Giuseppe Fracasso**, Caldogno (IT)

(73) Assignee: **GIFLOR S.r.l.**, Grumolo delle  
Abbadesse (VI) (IT)

(\*\*) Term: **14 Years**

(21) Appl. No.: **29/361,973**

(22) Filed: **May 18, 2010**

(51) **LOC (9) Cl.** ..... **09-01**

(52) **U.S. Cl.** ..... **D9/503; D9/549**

(58) **Field of Classification Search** ..... D9/500,  
D9/502-505, 529, 537, 539, 549, 682, 686,  
D9/688-692, 772, 776-780, 435, 446-447,  
D9/449; D7/510-511, 300, 300.1, 605, 608,  
D7/598; D24/224; 215/379, 381-382, 384;  
220/660, 662, 669, 675

See application file for complete search history.

(56) **References Cited**

U.S. PATENT DOCUMENTS

D265,060 S \* 6/1982 Blank ..... D9/446  
D350,482 S \* 9/1994 Hu et al. .... D9/448  
D363,025 S \* 10/1995 Deflander et al. .... D9/449

D379,714 S \* 6/1997 Cerny et al. .... D3/264  
D438,799 S \* 3/2001 Anderson ..... D9/449  
D455,077 S \* 4/2002 Gaiser et al. .... D9/449  
D537,721 S \* 3/2007 Kertels ..... D9/504  
D541,154 S \* 4/2007 Moribata et al. .... D9/449

\* cited by examiner

*Primary Examiner* — Ian Simmons

*Assistant Examiner* — Dana L Sipos

(74) *Attorney, Agent, or Firm* — IP Strategies

(57) **CLAIM**

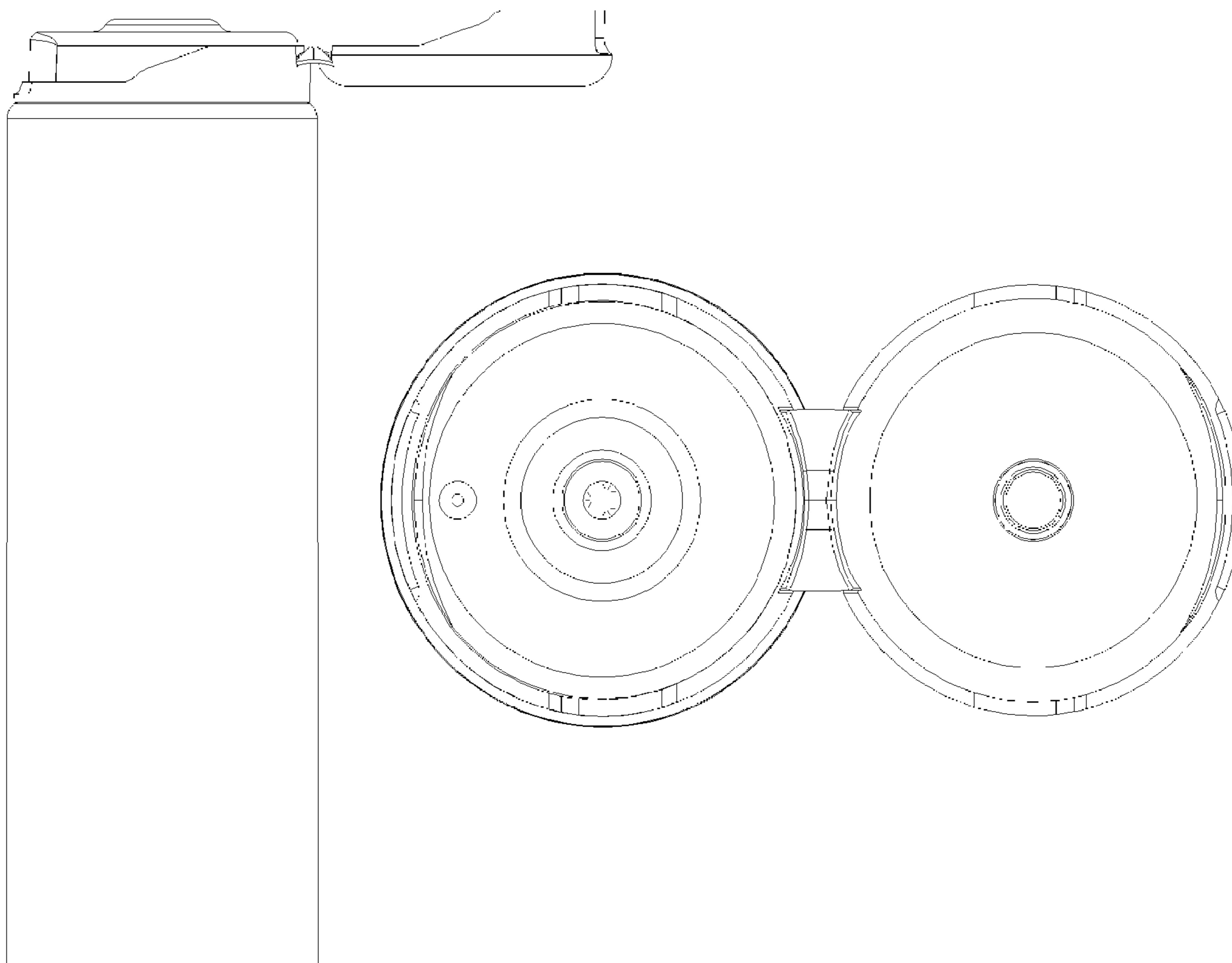
The ornamental design for a flexible tube with flip-top closure, as shown and described herein.

**DESCRIPTION**

FIG. 1 is a top, front, left side perspective view of a flexible tube with flip-top closure showing my new design;  
FIG. 2 is an top, front, right side perspective view thereof;  
FIG. 3 is a right side elevation view thereof;  
FIG. 4 is a bottom, rear, right side perspective view thereof;  
FIG. 5 is a bottom, rear, left side perspective view thereof;  
FIG. 6 is a top plan view thereof; and,  
FIG. 7 is a front elevation view thereof.

The broken lines in the drawings illustrate the portions of the design that form no part of the claim.

**1 Claim, 7 Drawing Sheets**



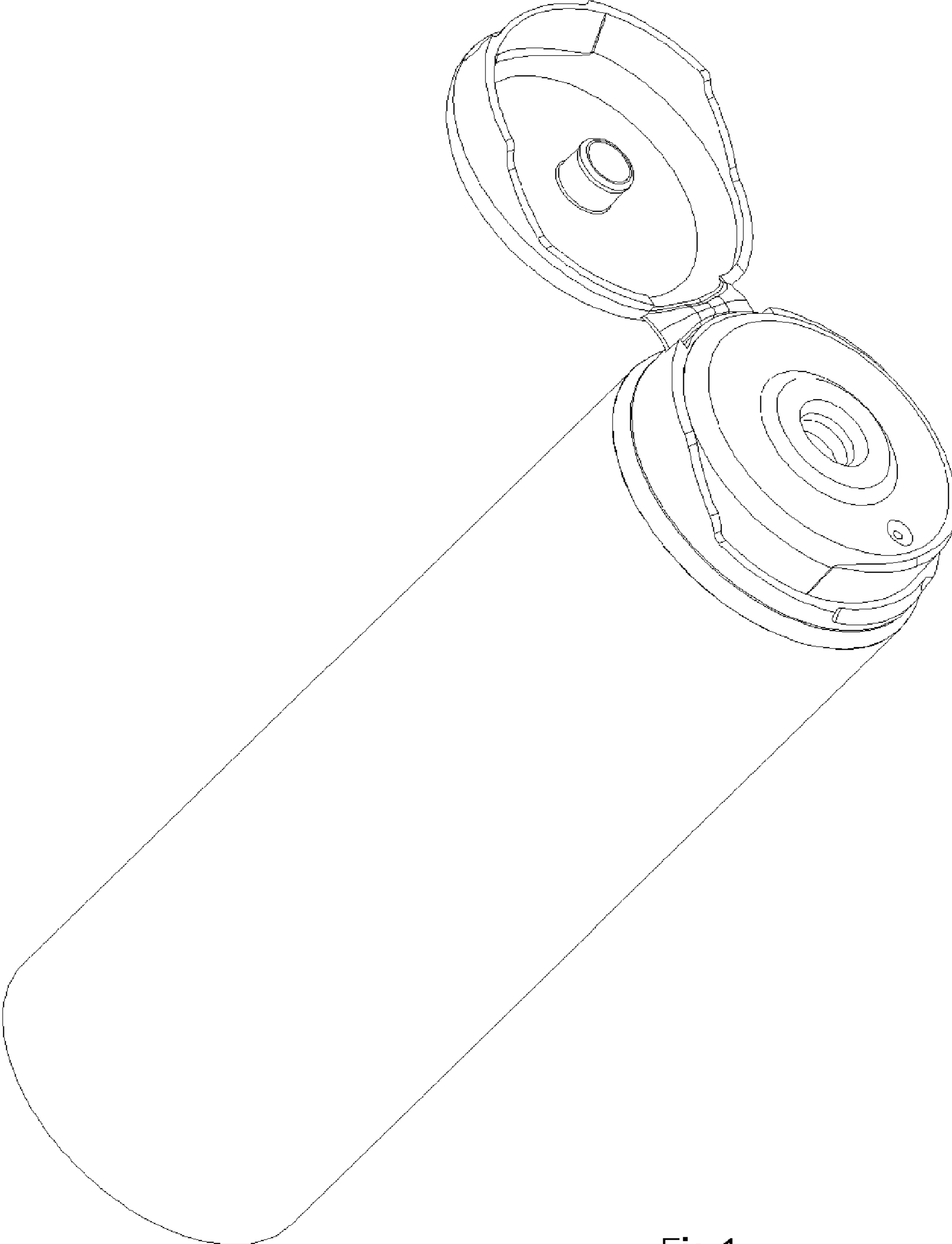


Fig.1

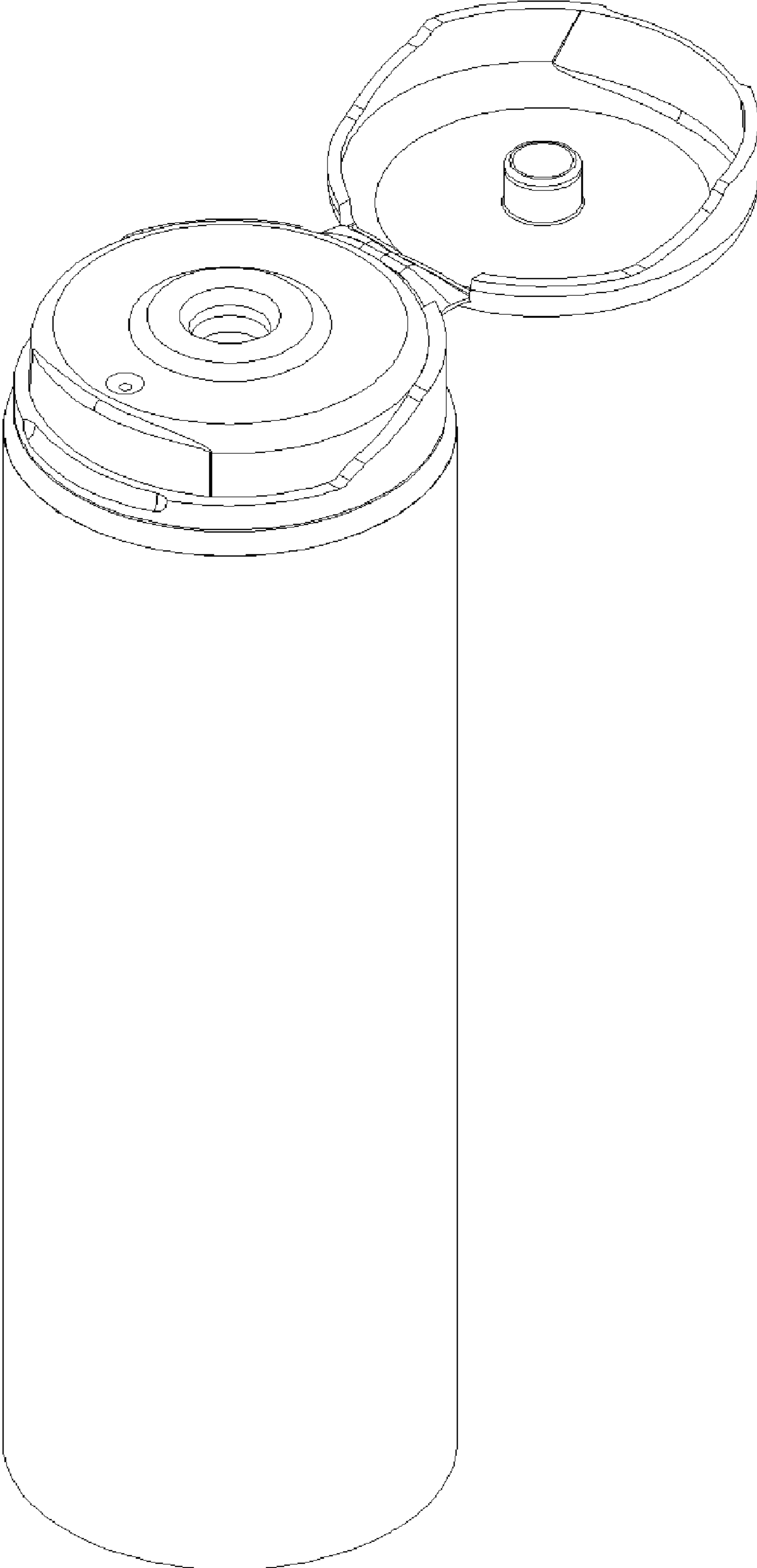


Fig.2

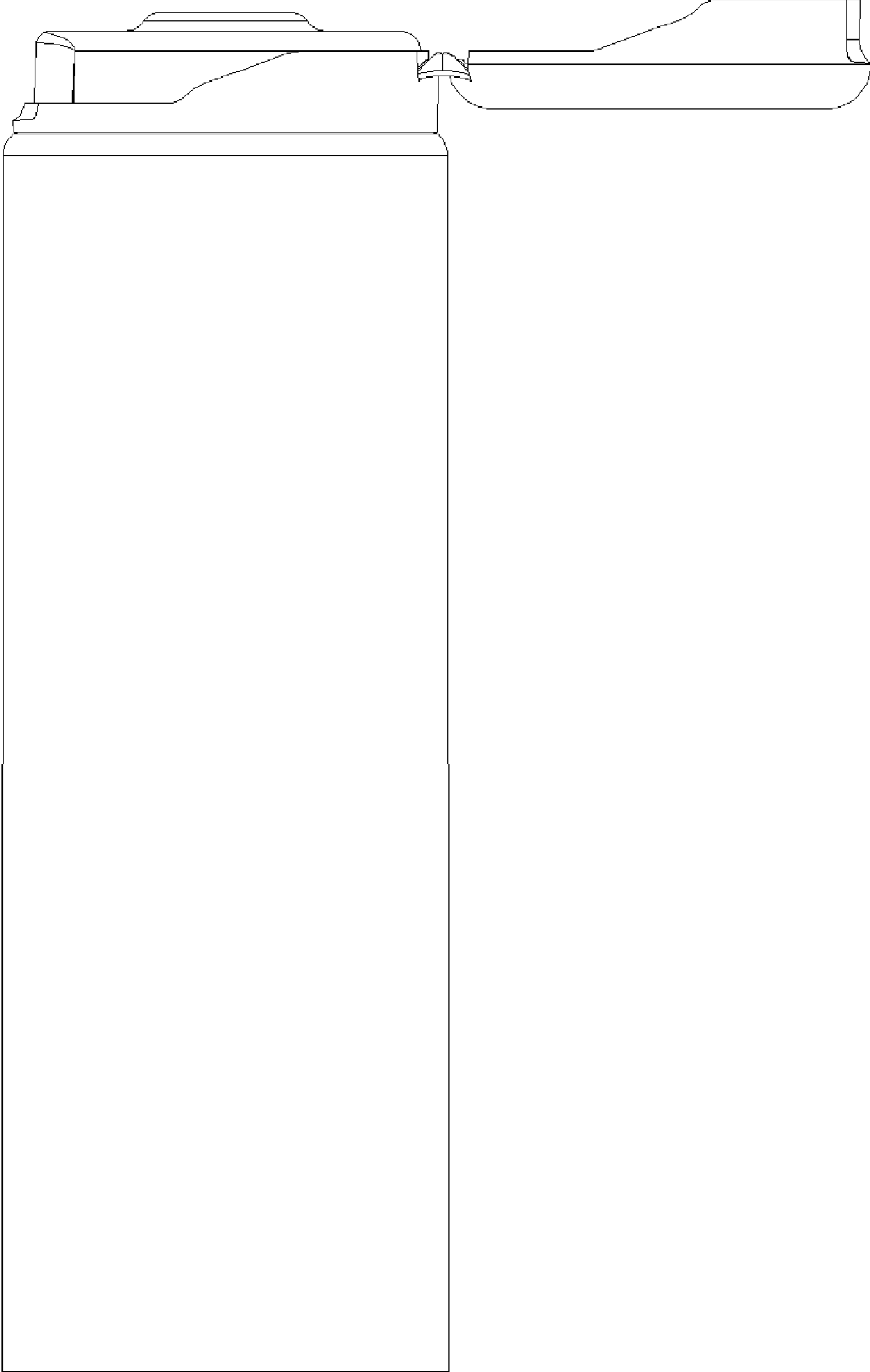


Fig.3

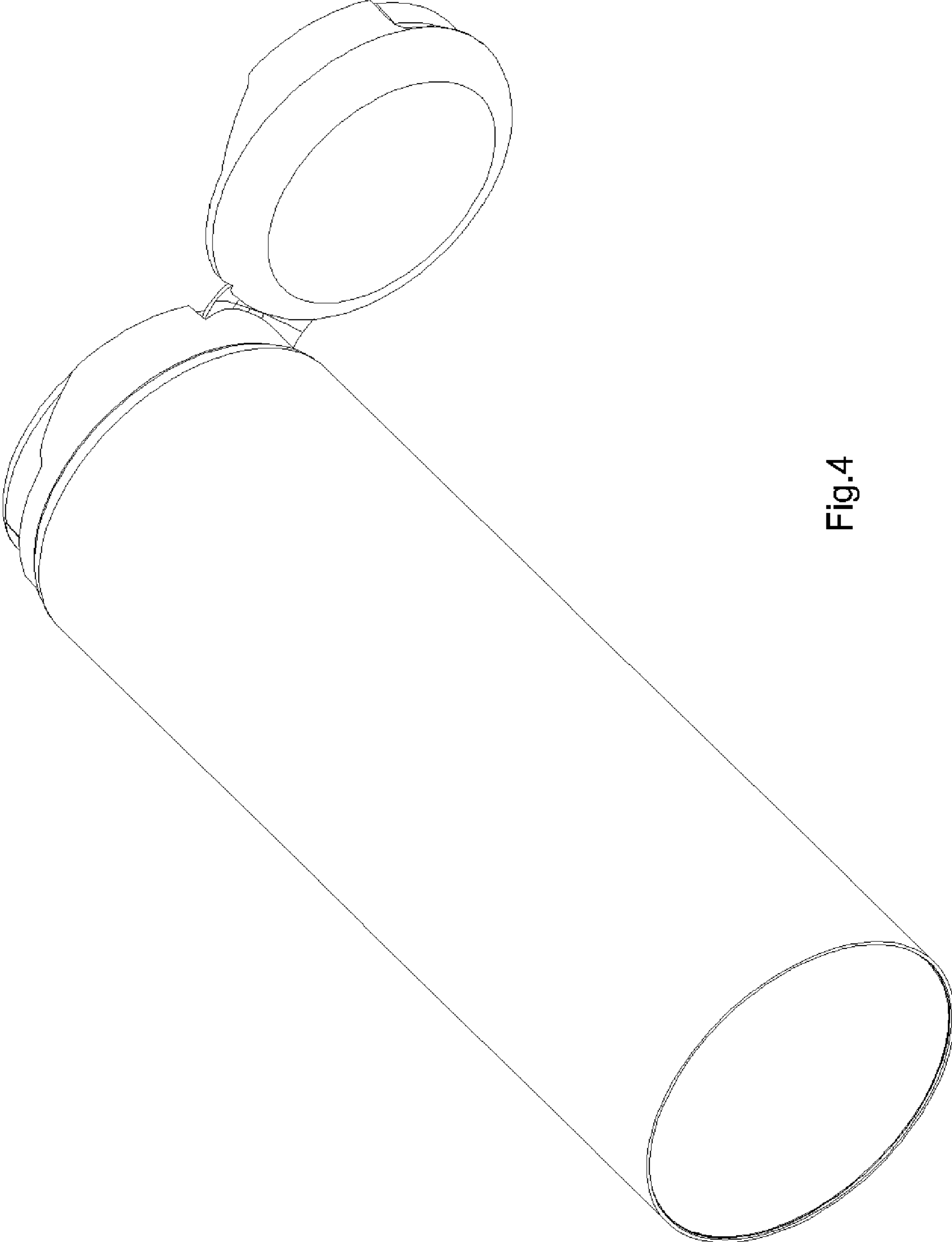


Fig.4

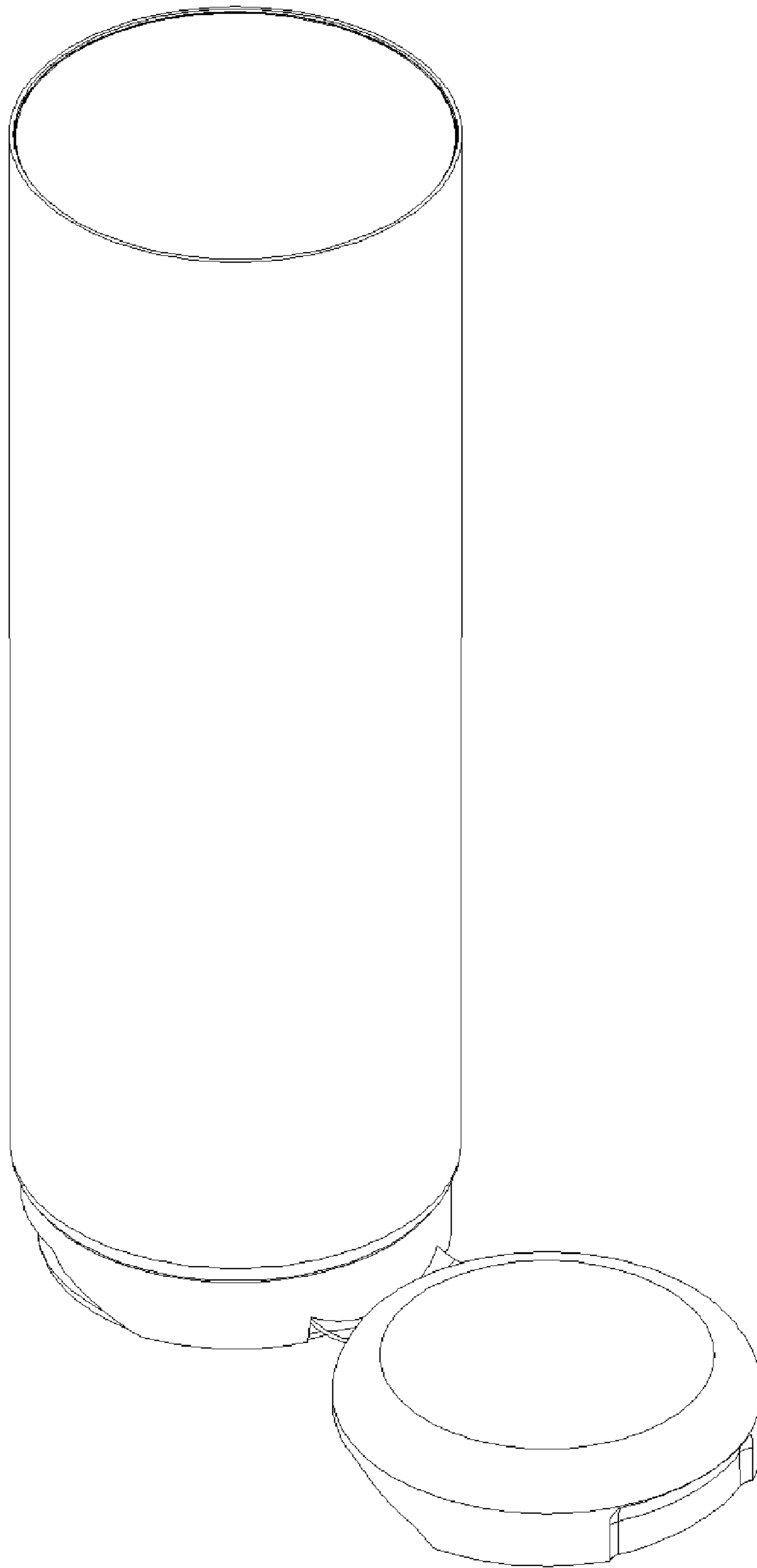


Fig.5

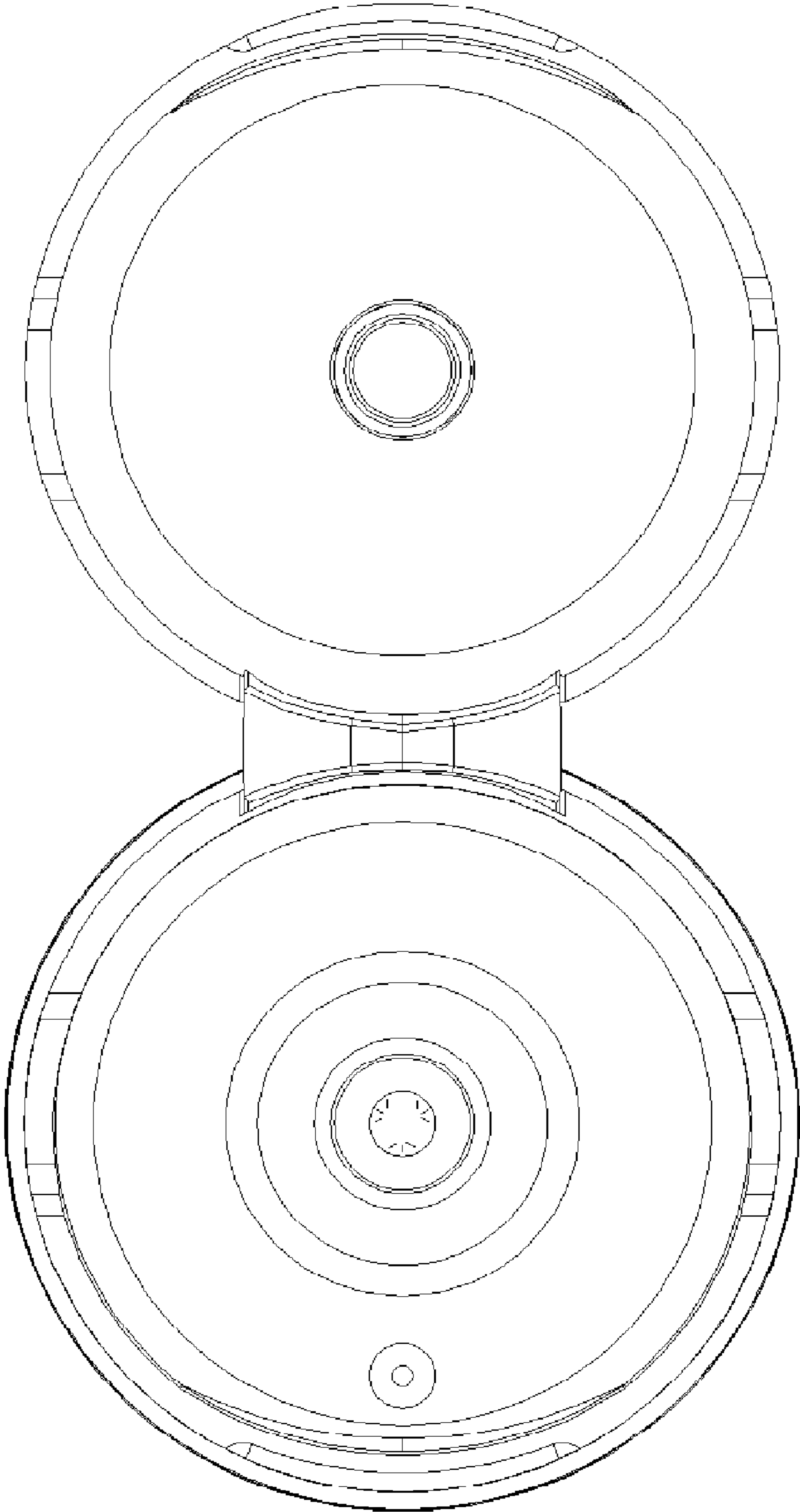


Fig.6

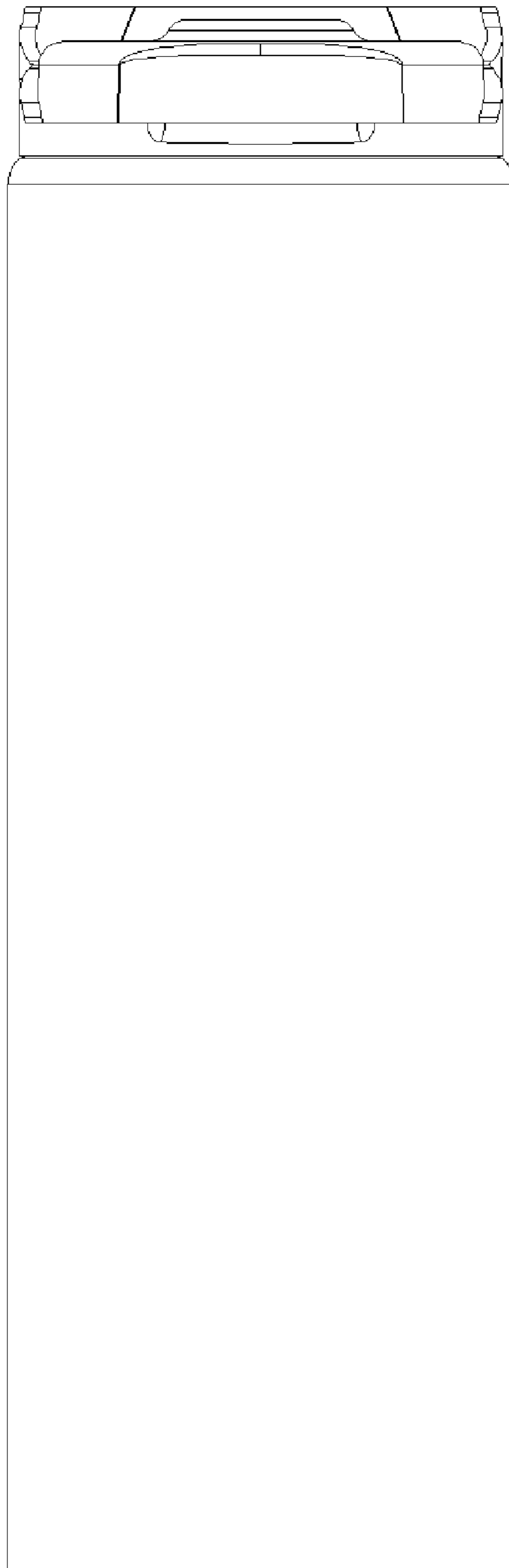


Fig.7