



US00D649054S

(12) **United States Design Patent**  
**Sharma et al.**

(10) **Patent No.:** **US D649,054 S**

(45) **Date of Patent:** **\*\* Nov. 22, 2011**

(54) **CONTAINER**

(75) Inventors: **Neeraj Sharma**, Crystal Lake, IL (US);  
**Rebecca Baker**, Chicago, IL (US);  
**Steven M. Redrick**, Addison, TX (US);  
**Nathan Stokke**, Geneva, IL (US)

(73) Assignee: **The Quaker Oats Company**, Chicago, IL (US)

(\*\*) Term: **14 Years**

(21) Appl. No.: **29/386,844**

(22) Filed: **Mar. 4, 2011**

(51) **LOC (9) Cl.** ..... **09-01**

(52) **U.S. Cl.** ..... **D9/500; D9/428; D7/630**

(58) **Field of Classification Search** ..... D9/500,  
D9/502-503, 505, 516, 530, 537, 539, 549,  
D9/558, 574-575, 414, 424, 425-426, 428;  
D7/500, 538, 542-543, 545, 584, 586-587,  
D7/601-603, 612, 615, 629-630; D11/143,  
D11/152-153; D26/6, 9; 215/379, 381-382;  
220/660, 669-670, 672, 675

See application file for complete search history.

(56) **References Cited**

**U.S. PATENT DOCUMENTS**

|             |           |                   |        |
|-------------|-----------|-------------------|--------|
| 797,314 A   | 8/1905    | Owens             |        |
| 3,070,275 A | 12/1962   | Bostrom           |        |
| D202,507 S  | * 10/1965 | Shelby            | D7/523 |
| 3,310,195 A | 3/1967    | Wagner et al.     |        |
| 4,341,324 A | 7/1982    | Ramirez           |        |
| 4,348,421 A | 9/1982    | Sakakibara et al. |        |
| D272,213 S  | * 1/1984  | Daenen            | D7/523 |
| 4,794,008 A | 12/1988   | Schmidt et al.    |        |
| D299,801 S  | 2/1989    | Basitodos         |        |
| 4,844,263 A | 7/1989    | Hadtke            |        |
| 4,874,618 A | 10/1989   | Seaborne et al.   |        |
| 4,928,839 A | 5/1990    | Kruelskie         |        |
| 4,978,022 A | 12/1990   | Weick             |        |
| 5,077,066 A | 12/1991   | Mattson et al.    |        |

|             |           |                  |         |
|-------------|-----------|------------------|---------|
| D336,596 S  | 6/1993    | Osgood et al.    |         |
| 5,409,126 A | 4/1995    | DeMars           |         |
| 5,409,128 A | 4/1995    | Mitchell         |         |
| D362,594 S  | 9/1995    | McEntee          |         |
| 5,447,236 A | 9/1995    | Perry et al.     |         |
| D364,088 S  | 11/1995   | Robbins, III     |         |
| D364,112 S  | 11/1995   | Dickinson et al. |         |
| D368,234 S  | * 3/1996  | Dickinson et al. | D11/152 |
| D376,960 S  | 12/1996   | Ferris           |         |
| 5,706,980 A | 1/1998    | Dickerson        |         |
| 5,769,229 A | 6/1998    | Andress et al.   |         |
| 5,807,597 A | 9/1998    | Barnes et al.    |         |
| D399,452 S  | * 10/1998 | Durbin           | D11/152 |
| D404,262 S  | 1/1999    | McGill           |         |
| 5,871,116 A | 2/1999    | Pichiatti        |         |
| 5,894,953 A | 4/1999    | Ramirez          |         |

(Continued)

**FOREIGN PATENT DOCUMENTS**

DE 19500500 A1 11/1996

(Continued)

*Primary Examiner* — Ian Simmons

*Assistant Examiner* — Dana L Sipos

(74) *Attorney, Agent, or Firm* — Banner & Witcoff, Ltd.

(57) **CLAIM**

The ornamental design for a container, as shown and described.

**DESCRIPTION**

FIG. 1 is a top, front, right side perspective view of a container showing our new design;

FIG. 2 is a front view thereof;

FIG. 3 is a right side view thereof;

FIG. 4 is a rear view thereof;

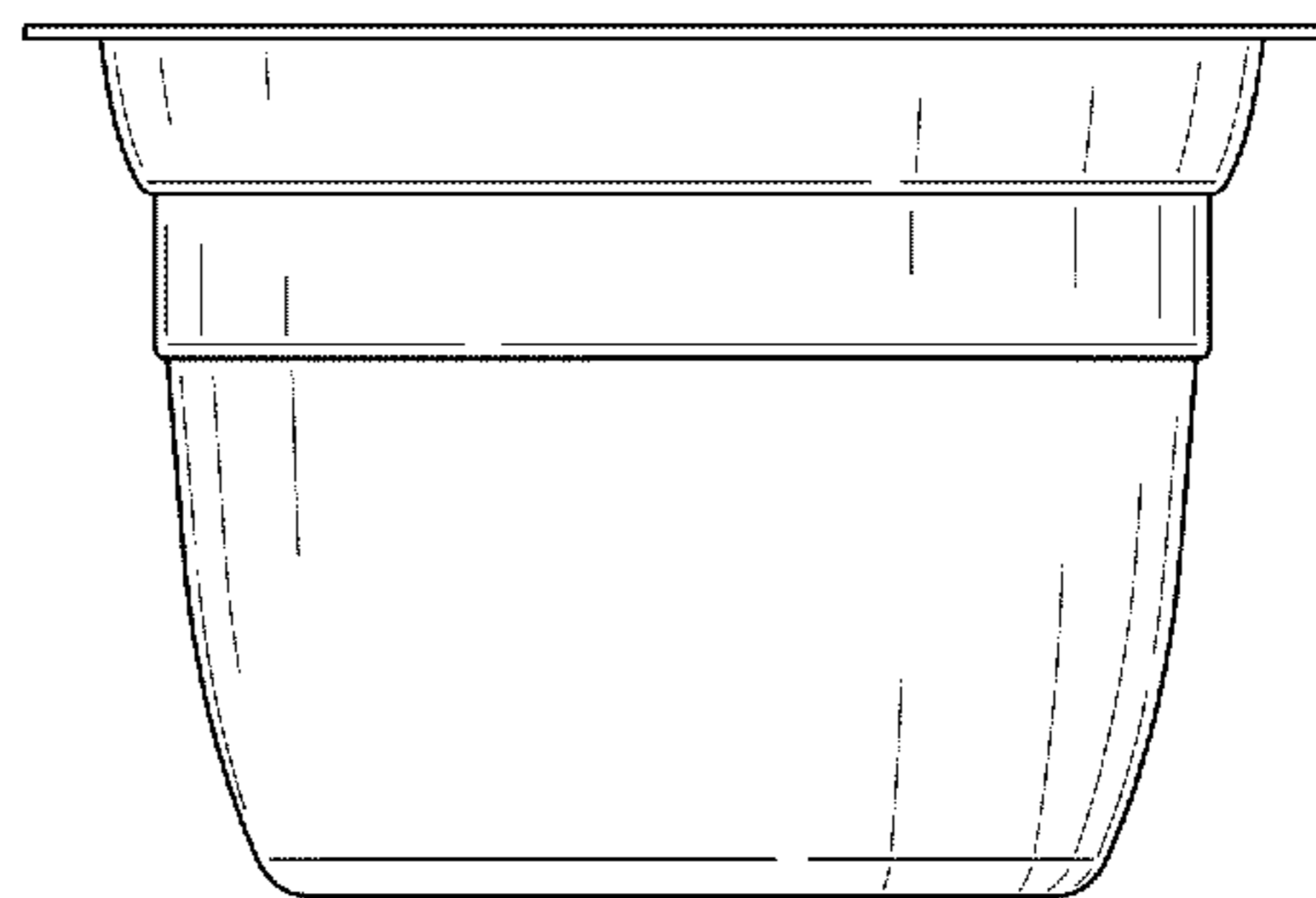
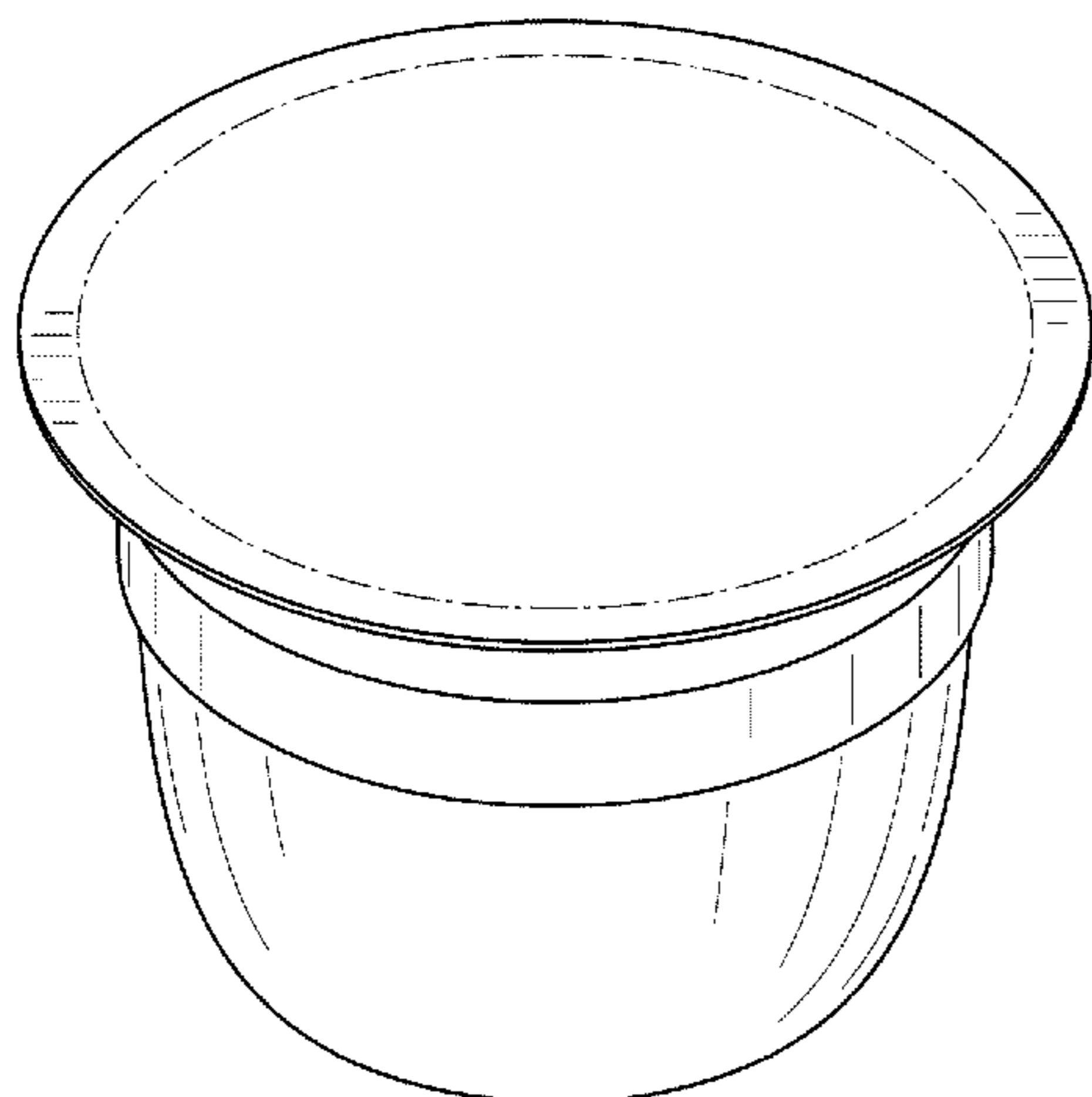
FIG. 5 is a left side view thereof;

FIG. 6 is a top view thereof; and,

FIG. 7 is a bottom view thereof.

The broken lines immediately adjacent to the shaded area represent unclaimed boundaries of the design.

**1 Claim, 3 Drawing Sheets**



# US D649,054 S

Page 2

## U.S. PATENT DOCUMENTS

D412,811 S 8/1999 Rotta  
D415,025 S 10/1999 McCann  
D415,420 S 10/1999 Chen  
6,022,570 A 2/2000 Richmond  
D426,160 S 6/2000 Lindsay et al.  
D429,150 S 8/2000 Lindsay et al.  
6,102,209 A 8/2000 D'Andrea  
6,196,406 B1 3/2001 Ennis  
D445,689 S 7/2001 McCutchan  
D452,441 S 12/2001 Bezek et al.  
D453,094 S 1/2002 Maggard et al.  
6,557,720 B2 5/2003 Tosdale et al.  
6,588,654 B2 7/2003 Nakashima  
6,596,328 B1 7/2003 Bezek et al.  
D482,240 S 11/2003 Sohoo et al.  
6,766,902 B1 7/2004 Hartelius  
6,796,430 B2 9/2004 Mercier et al.  
6,886,694 B2 5/2005 McNeely et al.  
6,903,320 B2 6/2005 Cutter et al.  
D523,296 S 6/2006 Kim  
D546,140 S 7/2007 Anzalone  
7,350,789 B2 4/2008 Uffner et al.  
D568,156 S 5/2008 Wilson et al.  
D572,133 S 7/2008 Wilson et al.  
D577,288 S 9/2008 Wilson et al.  
D591,590 S 5/2009 Wilson et al.  
D594,324 S 6/2009 Colacitti  
D594,326 S 6/2009 Colacitti  
D606,368 S 12/2009 Wu  
D607,329 S 1/2010 Diss

D610,875 S 3/2010 Wingfield et al.  
D625,149 S 10/2010 Stamper  
7,832,586 B2 11/2010 Vovan  
D631,302 S 1/2011 Sperrazza  
2002/0114870 A1 8/2002 Rebhorn et al.  
2004/0099544 A1 5/2004 Ness et al.  
2005/0051549 A1 3/2005 Nelson  
2005/0136157 A1 6/2005 Ebihara  
2005/0208186 A1 9/2005 Kirkland  
2005/0220939 A1 10/2005 Morrow  
2007/0172554 A1 7/2007 Blythe et al.  
2007/0172556 A1 7/2007 Berrysmith  
2007/0227919 A1 10/2007 True  
2008/0251521 A1 10/2008 Efremenko  
2009/0186133 A1 7/2009 Bjork et al.  
2009/0200301 A1 8/2009 Beekman et al.  
2010/0200582 A1 8/2010 Hämmerle et al.  
2011/0020506 A1 1/2011 Bordini Cantucci et al.

## FOREIGN PATENT DOCUMENTS

DE 29616374 U1 6/1997  
DE 20004325 U1 8/2001  
EP 308807 A2 9/1989  
EP 308807 A3 3/1990  
EP 1295806 A2 3/2003  
EP 1295806 A3 1/2004  
EP 1876106 B1 1/2004  
EP 1876106 A1 1/2008  
GB 2218962 A 11/1989  
WO WO9607604 A1 3/1996

\* cited by examiner

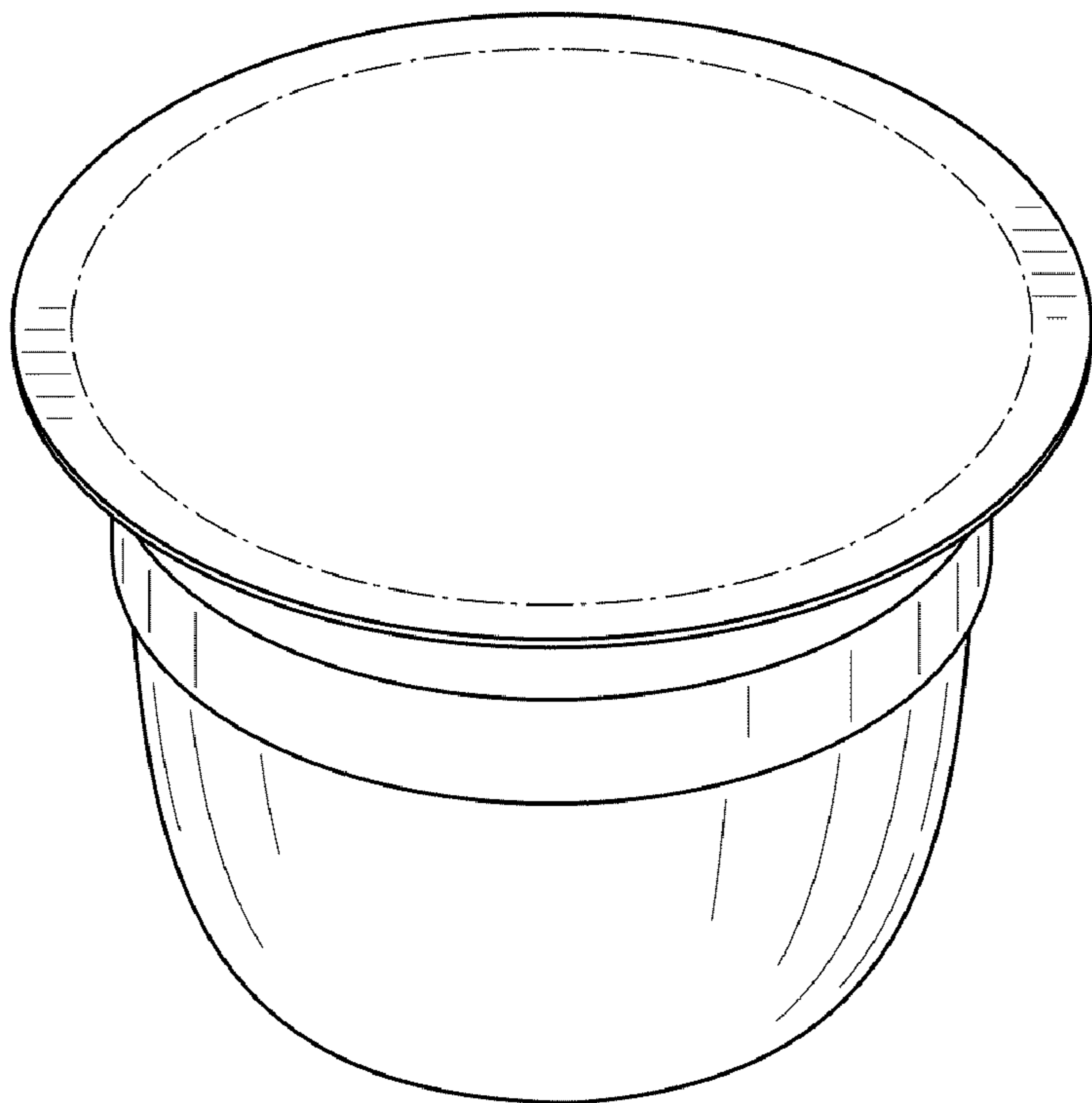


FIG. 1

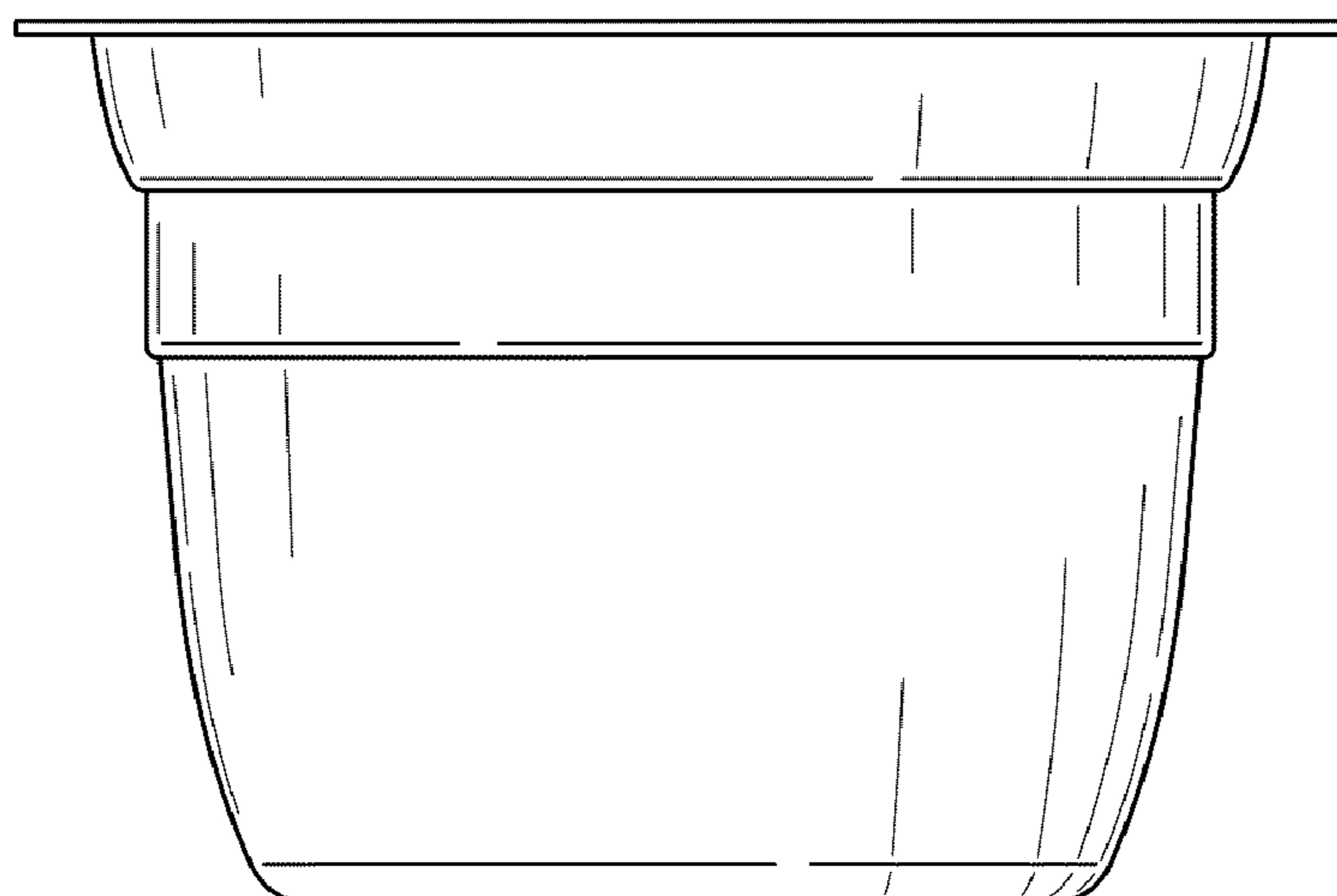


FIG. 2

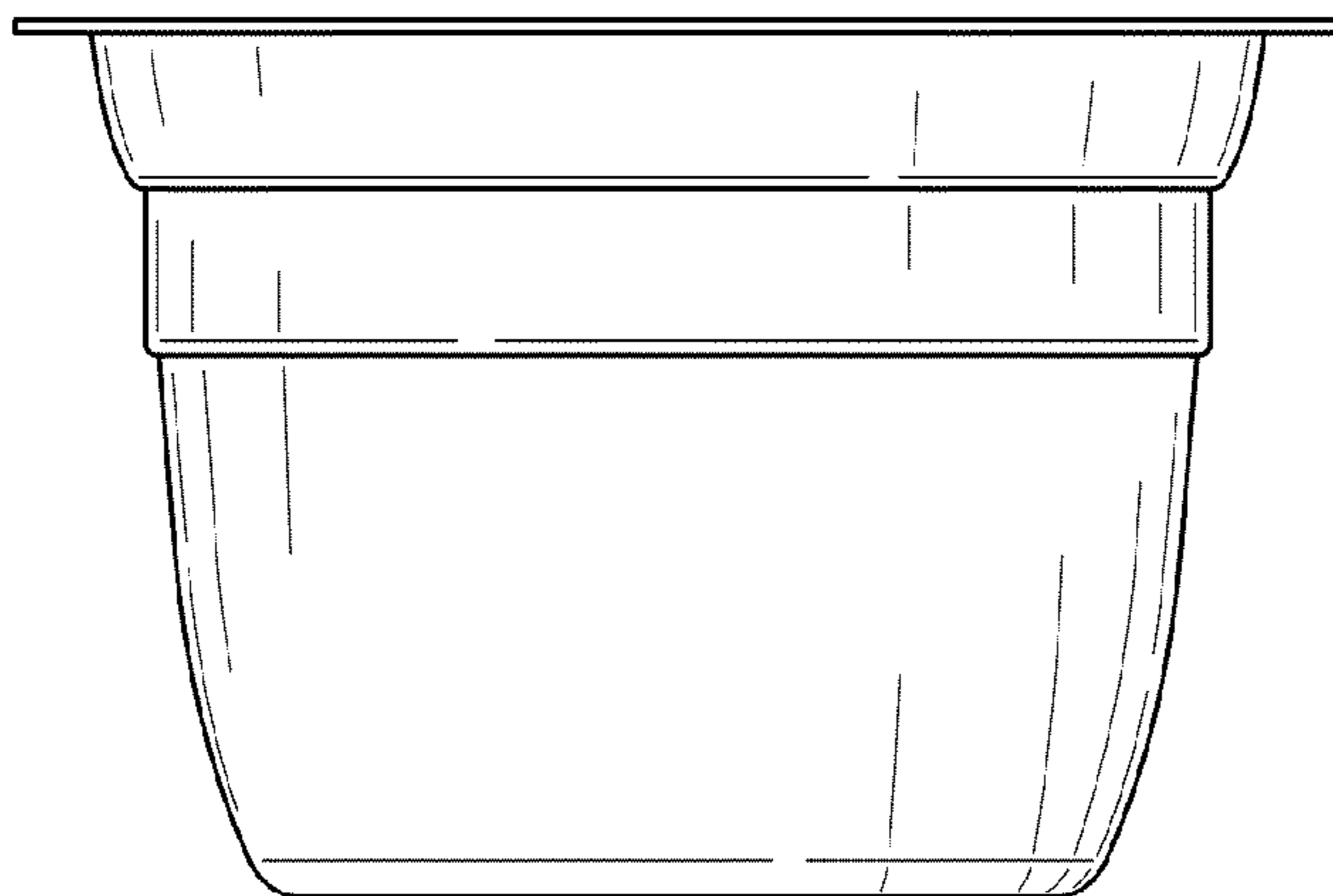


FIG. 3

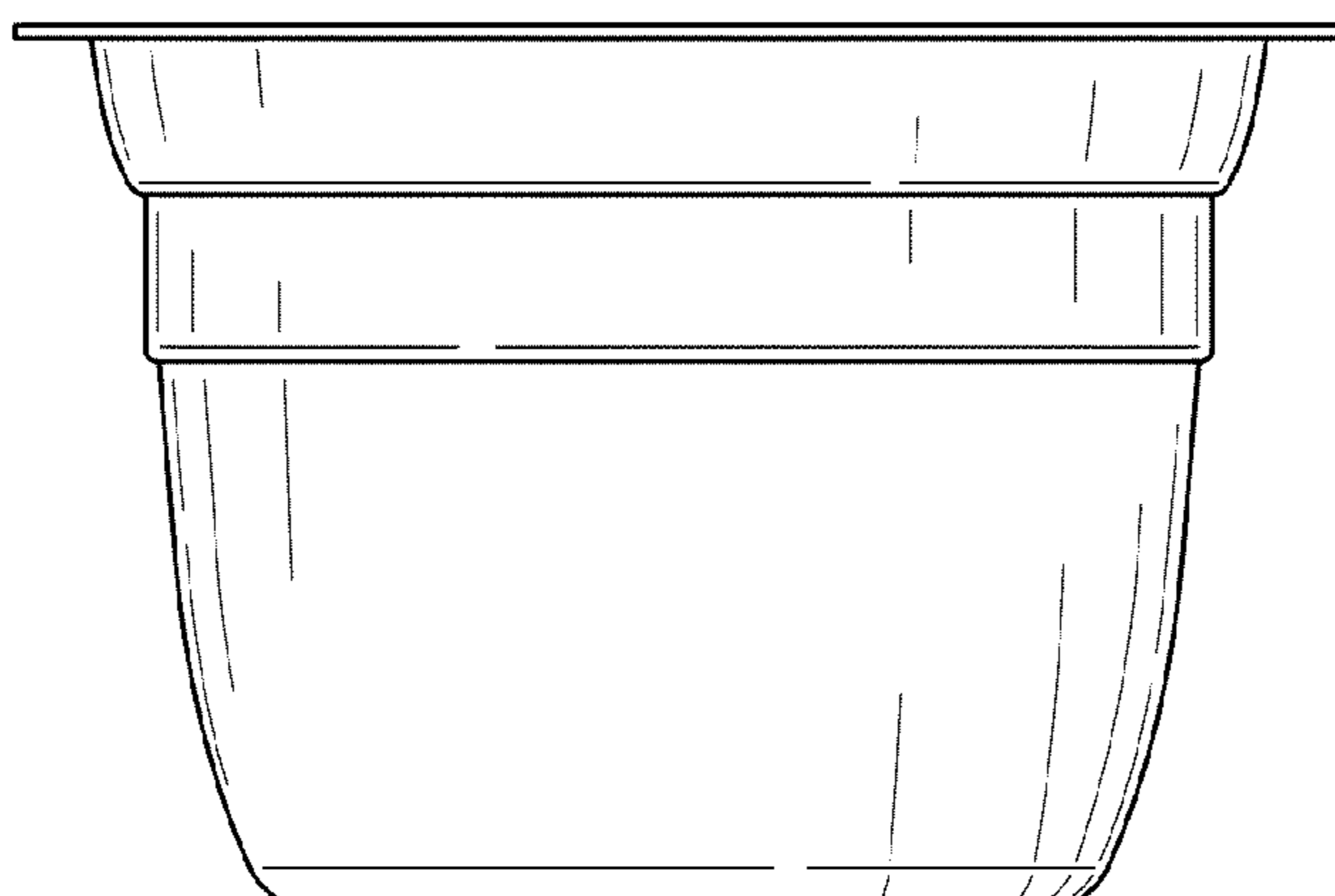


FIG. 4

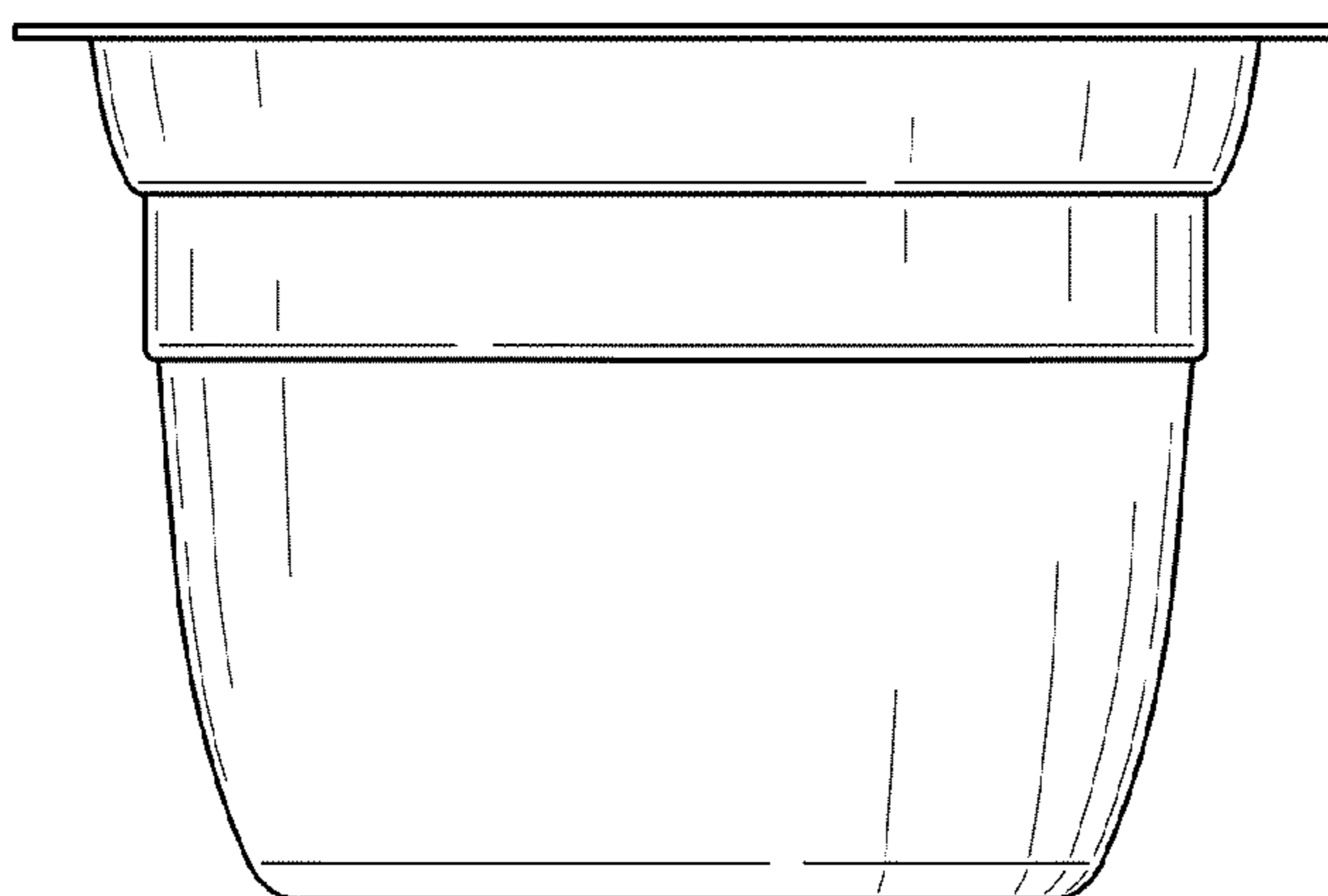


FIG. 5

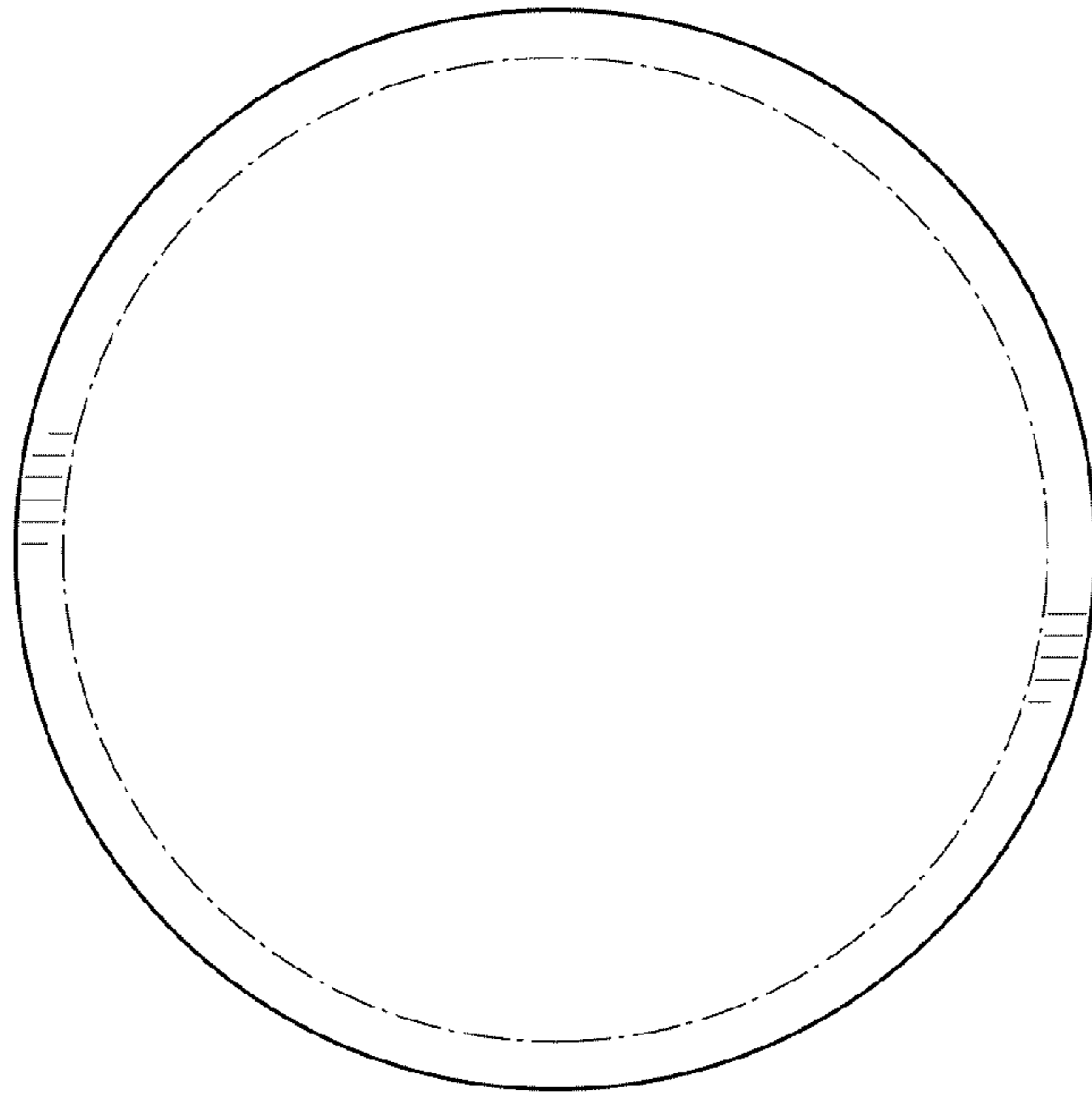


FIG. 6

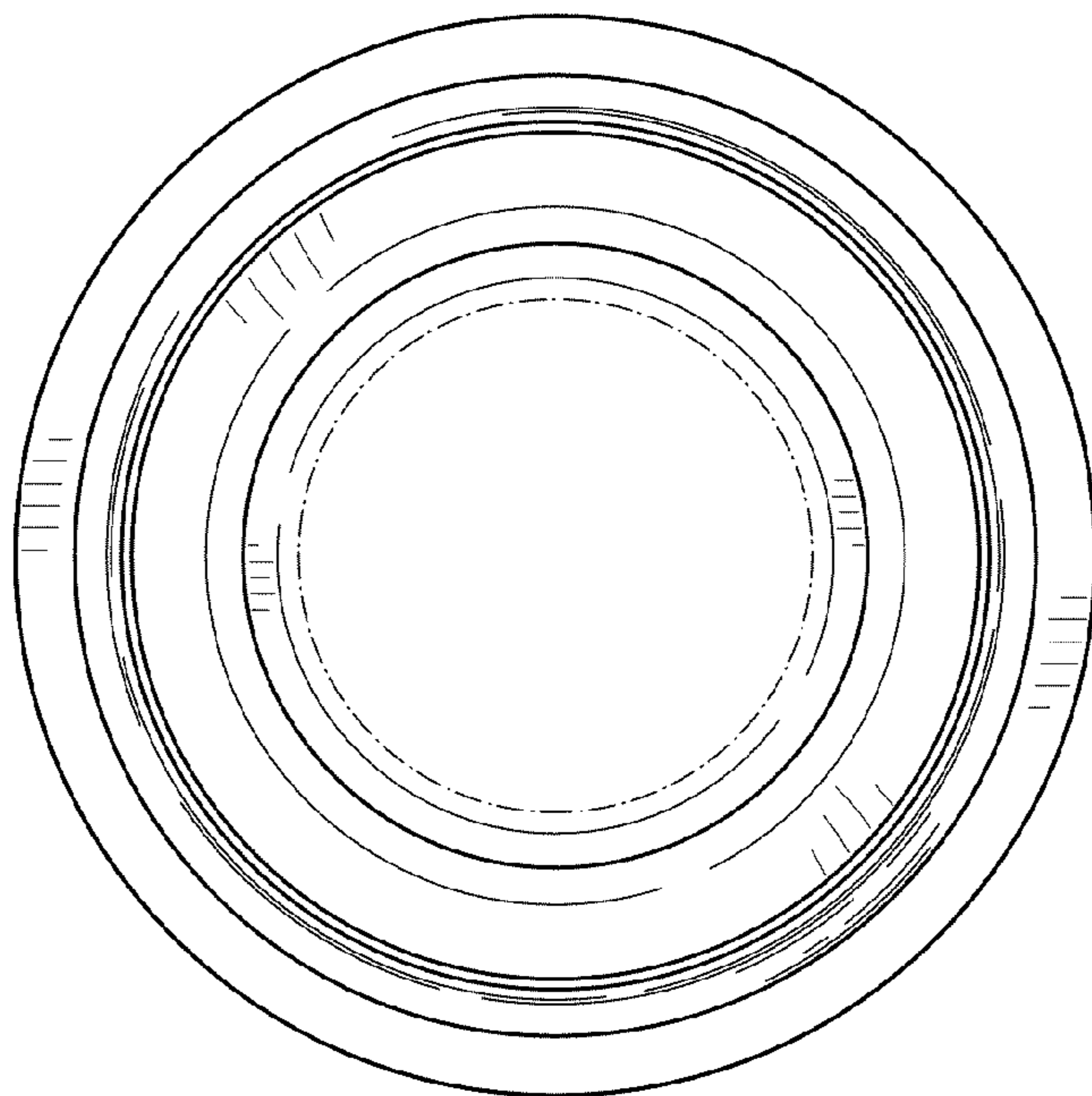


FIG. 7