



US00D649052S

(12) **United States Design Patent**  
**Mongeon et al.**

(10) **Patent No.:** **US D649,052 S**

(45) **Date of Patent:** **\*\* Nov. 22, 2011**

(54) **CONTAINER LID**

(75) Inventors: **Murphy Greene Mongeon**, Baltimore, MD (US); **Ian Andrew Carnduff**, New York, NY (US); **Akina Kurihara**, Brooklyn, NY (US)

(73) Assignee: **The Procter & Gamble Company**, Cincinnati, OH (US)

(\*\*) Term: **14 Years**

(21) Appl. No.: **29/387,532**

(22) Filed: **Mar. 15, 2011**

**Related U.S. Application Data**

(62) Division of application No. 29/364,903, filed on Jun. 30, 2010, now Pat. No. Des. 636,675.

(51) **LOC (9) Cl.** ..... **09-07**

(52) **U.S. Cl.** ..... **D9/445; D9/454**

(58) **Field of Classification Search** ..... D9/780,  
D9/778, 772, 763, 756, 556, 529, 518, 504,  
D9/503, 454, 450, 449, 447, 440, 438, 435,  
D9/434, 428, 425, 424; D7/584, 392.1, 549,  
D7/557, 601, 630, 396.2; 229/123.1; 222/556;  
220/906, 806, 716, 713, 711, 359.3, 359.1,  
220/285, 273, 265, 259.2-259.4, 258.2, 257.1,  
220/254.4; 215/256, 249, 232, 216; 206/530;  
D28/82, 84, 91, 73

See application file for complete search history.

(56) **References Cited**

**U.S. PATENT DOCUMENTS**

D32,610 S *	5/1900	Gilcrist	.....	D9/454
D34,168 S *	3/1901	Gilcrist	.....	D9/454
D258,199 S	2/1981	Torongo		
D359,451 S *	6/1995	Dees	.....	D9/443
D402,894 S	12/1998	Elia		
D411,747 S	6/1999	Kokenge		
D411,800 S	7/1999	Kokenge		

(Continued)

**FOREIGN PATENT DOCUMENTS**

CN 301089153 12/2008

(Continued)

**OTHER PUBLICATIONS**

Canadian Industrial Designs Database, Registration No. 123537, Date of Registration Sep. 3, 2008; Title: Jar; 5 pages.

(Continued)

*Primary Examiner* — Susan Bennett Hattan

(74) *Attorney, Agent, or Firm* — Eric T. Addington; S. Robert Chuey; James C. Vago

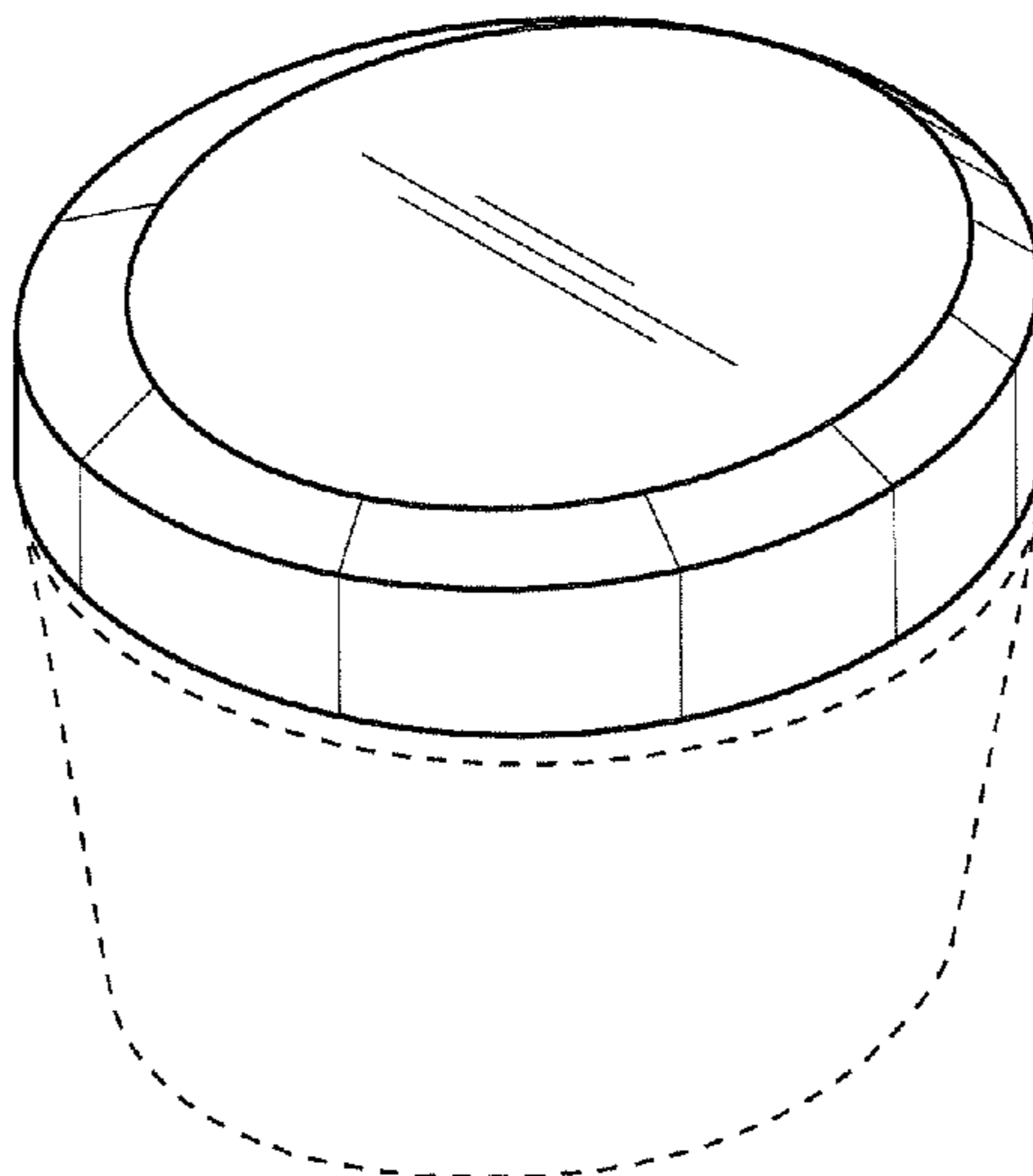
(57) **CLAIM**

The ornamental design for a container lid, as shown and described.

**DESCRIPTION**

FIG. 1 is a perspective view of the container lid showing an embodiment of the new design, FIG. 2 is front elevation view of FIG. 1, FIG. 3 is a rear elevation view of FIG. 1, FIG. 4 is a right side elevation view of FIG. 1, FIG. 5 is a left side elevation view of FIG. 1, FIG. 6 is a top plan view of FIG. 1, and FIG. 7 is a bottom plan view of FIG. 1; and FIG. 8 is a perspective view of the container lid showing an embodiment of the new design; FIG. 9 is front elevation view of FIG. 8, FIG. 10 is a rear elevation view of FIG. 8, FIG. 11 is a right side elevation view of FIG. 8, FIG. 12 is a left side elevation view of FIG. 8, FIG. 13 is a top plan view of FIG. 8; and, FIG. 14 is a bottom plan view of FIG. 8. Broken lines are for illustrative purposes only and form no part of the design.

**1 Claim, 8 Drawing Sheets**



# US D649,052 S

Page 2

## U.S. PATENT DOCUMENTS

D419,881 S 2/2000 Kokenge  
D424,943 S 5/2000 Kokenge  
D443,040 S 5/2001 Fabian  
D445,687 S \* 7/2001 Gilbertson ..... D9/454  
D477,225 S \* 7/2003 Pinnavaia ..... D9/454  
D489,258 S 5/2004 Hollmann  
D512,636 S \* 12/2005 Pace ..... D9/504  
D512,914 S \* 12/2005 Moretti ..... D9/454  
D520,370 S 5/2006 Priestman  
D524,661 S 7/2006 Blasko et al.  
D525,143 S 7/2006 Blasko et al.  
D526,211 S 8/2006 Blasko et al.  
D526,908 S 8/2006 Blasko et al.  
D527,277 S 8/2006 Blasko et al.  
D535,880 S \* 1/2007 Penfold et al. .... D9/454  
D541,156 S \* 4/2007 Florio ..... D9/454  
D544,368 S 6/2007 Blasko et al.  
D547,661 S 7/2007 Blasko et al.  
D558,591 S 1/2008 Blasko et al.  
D562,142 S 2/2008 Bunce  
D570,707 S 6/2008 Blasko et al.  
D619,896 S \* 7/2010 Iwazu et al. .... D9/504

## FOREIGN PATENT DOCUMENTS

CN 301089154 12/2008  
CN 300938550 6/2009  
CN 300964172 7/2009  
CN 300990489 8/2009  
CN 301089138 12/2009  
CN 301089151 12/2009  
EM 000447362.0002 12/2005

EM 000447362.0003 12/2005  
EM 000569272.0004 8/2006  
EM 000951918.0001 7/2008  
EM 001143176.0003 6/2009  
KR 300424855.0000 9/2006  
KR 300494210.0000 6/2008

## OTHER PUBLICATIONS

Canadian Industrial Designs Database, Registration No. 85091, Date of Registration Sep. 6, 1998; Title: Container for Creamy Goods; 6 pages.  
“Max Factor ColorGenius Foundation with Minerals”, Record ID 964168, <http://www.gnpd.com>; Published Aug. 2008 (3 pages).  
“Max Factor Colour Adapt Foundation”, Record ID 10152475, <http://www.gnpd.com>; Published Oct. 2003 (2 pages).  
“Covergirl Advanced Radiance Makeup”, Record ID 427825, <http://www.gnpd.com>; Published Jan. 2006 (3 pages).  
“CoverGirl Tru Blend Makeup”. Record ID 10156634, <http://www.gnpd.com>; Published 2003 (2 pages).  
U.S. Appl. No. 29/364,903, filed Jun. 30, 2010, Murphy Greene Mongeon, et al.  
U.S. Appl. No. 29/364,907, filed Jun. 30, 2010, Murphy Greene Mongeon, et al.  
U.S. Appl. No. 29/364,917, filed Jun. 30, 2010, Murphy Greene Mongeon, et al.  
U.S. Appl. No. 29/384,654, filed Feb. 2, 2011, Murphy Greene Mongeon, et al.  
U.S. Appl. No. 29/364,921, filed Jun. 30, 2010, Murphy Greene Mongeon, et al.

\* cited by examiner

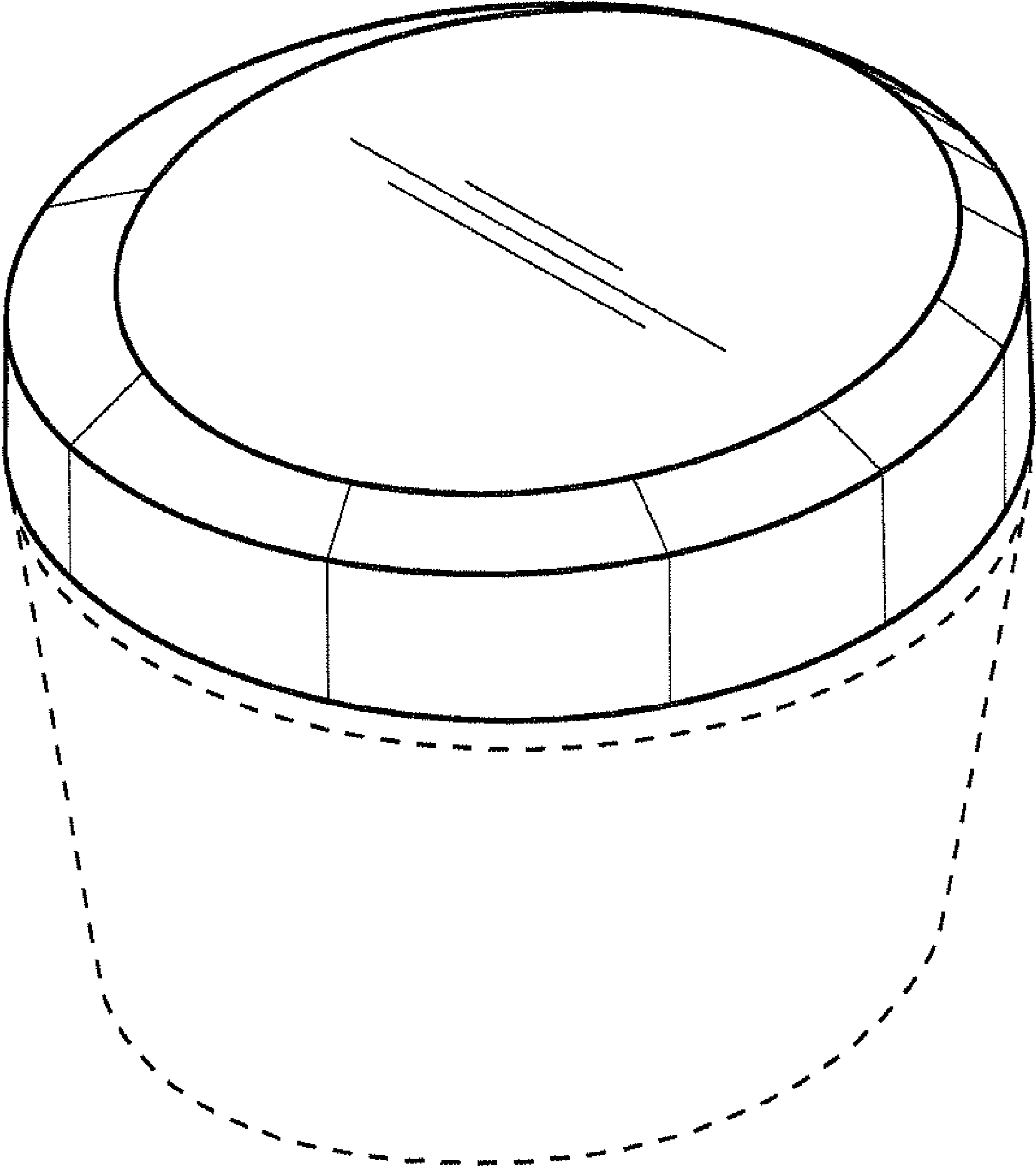


Fig. 1

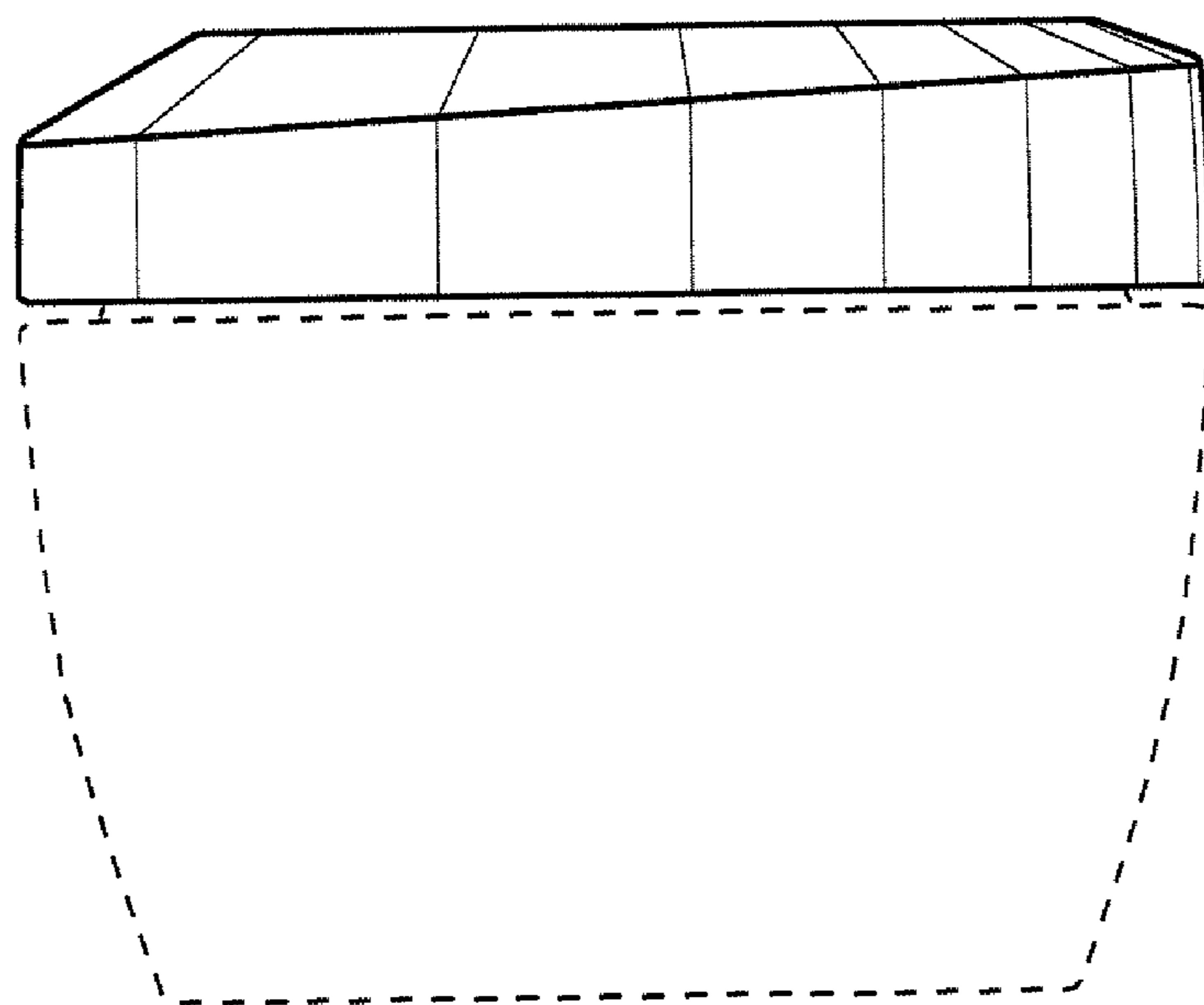


Fig. 2

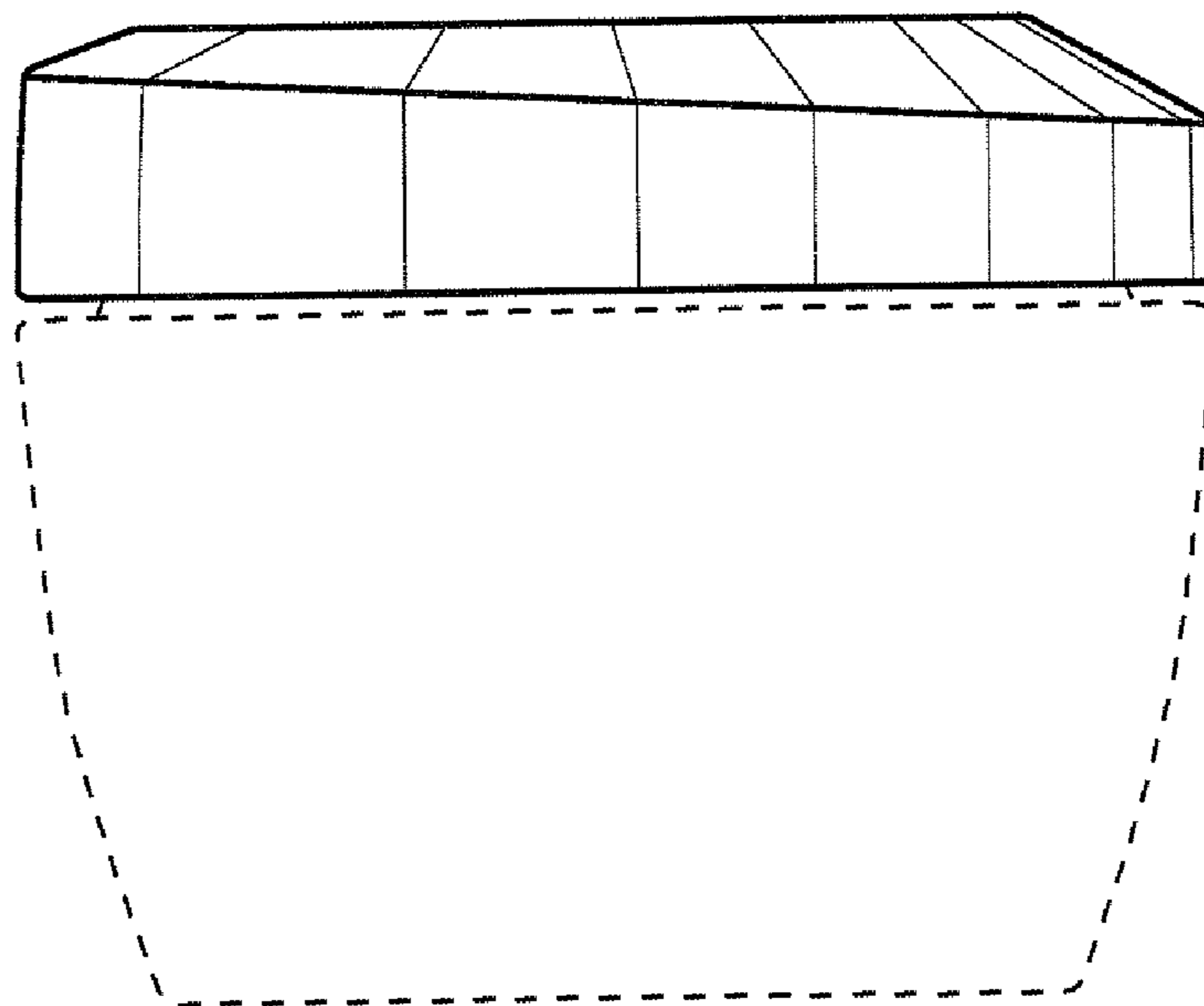


Fig. 3

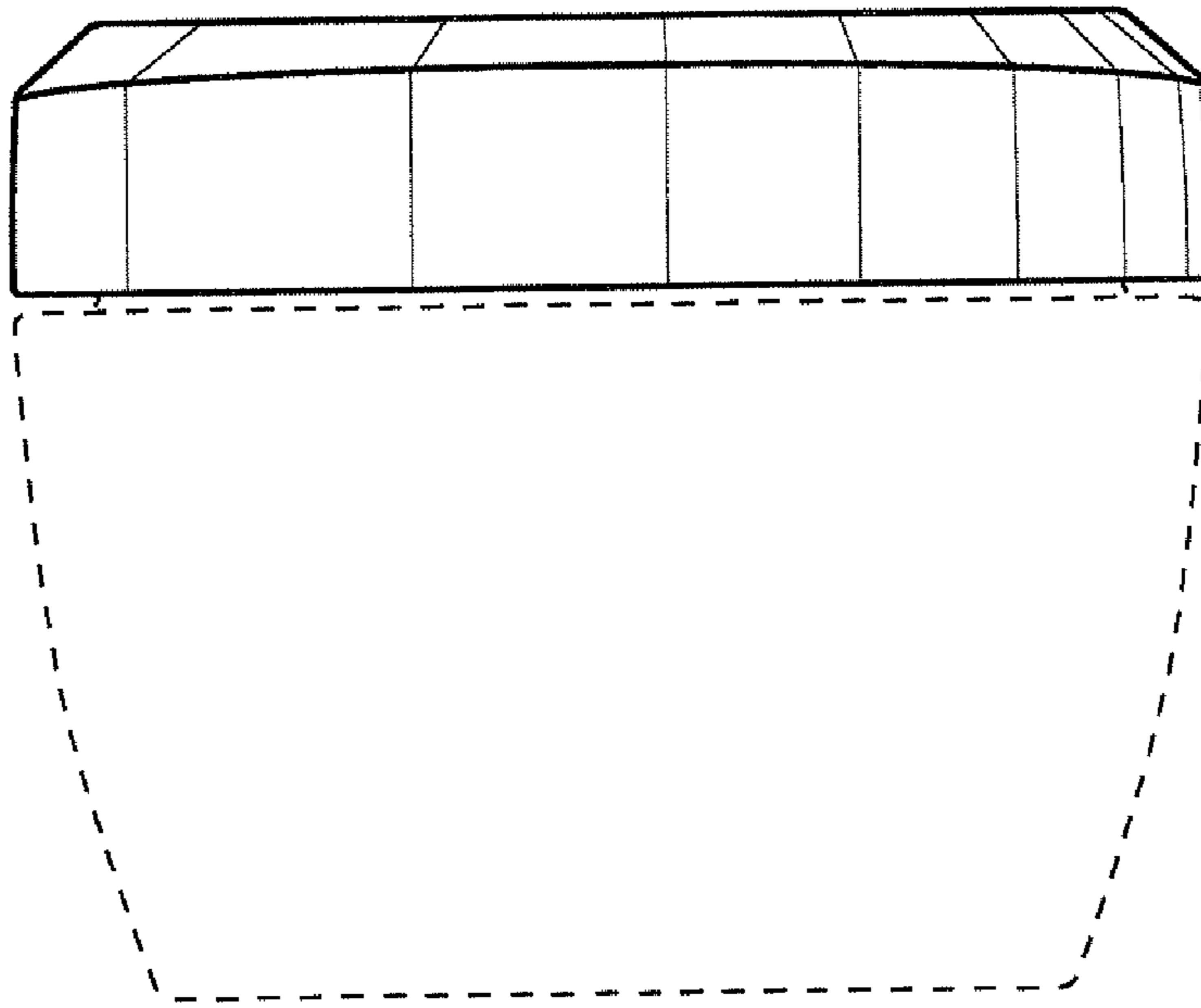


Fig. 4

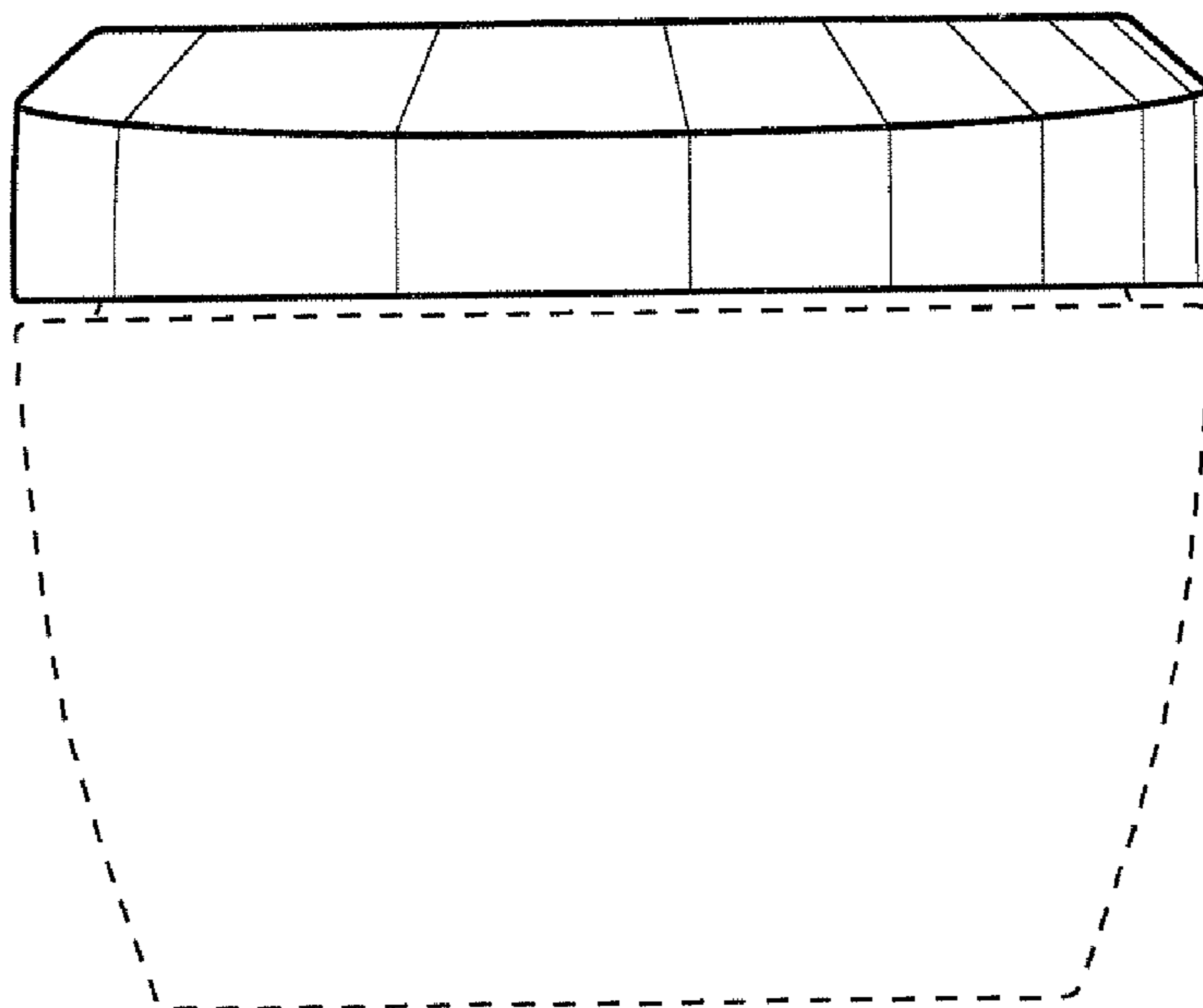


Fig. 5

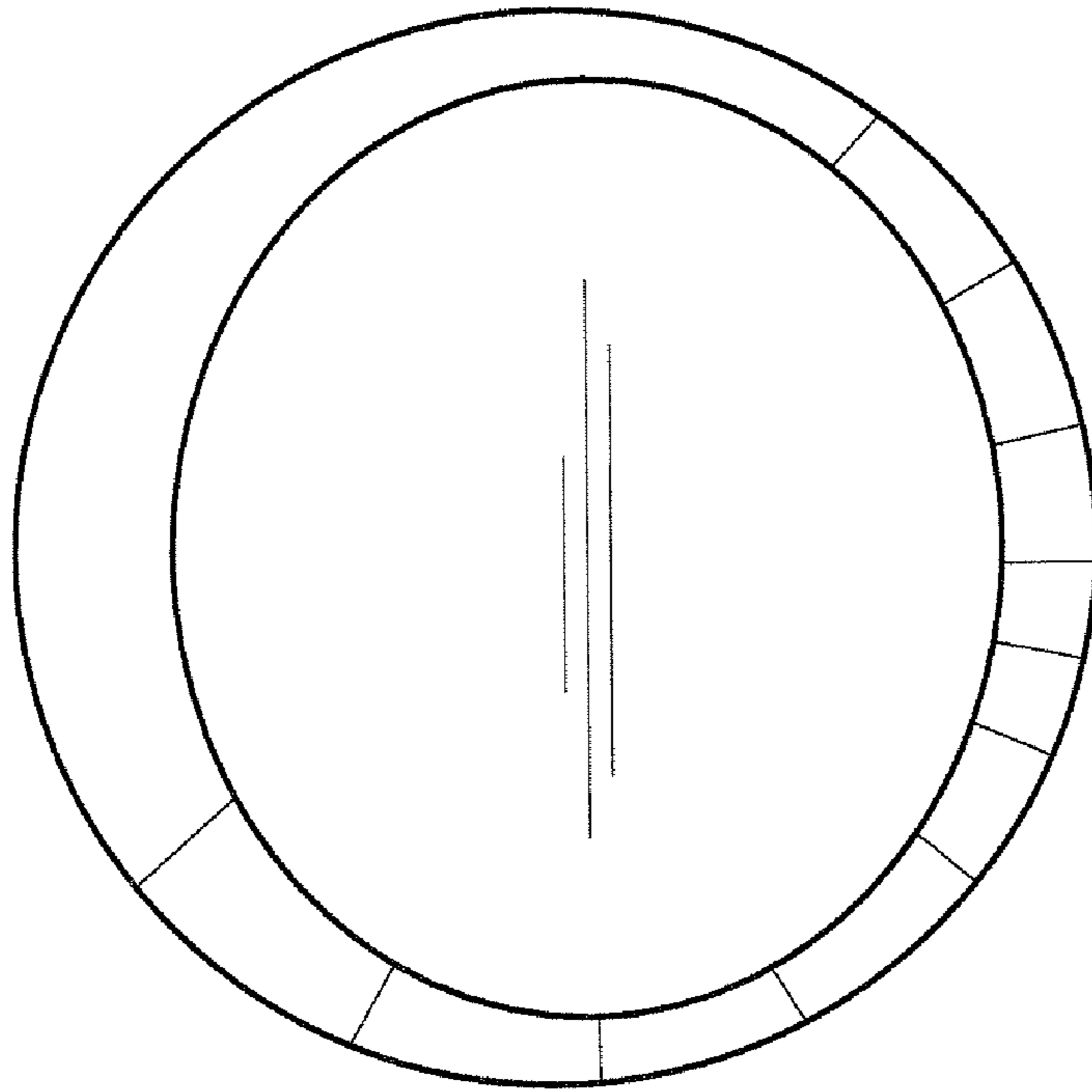


Fig. 6

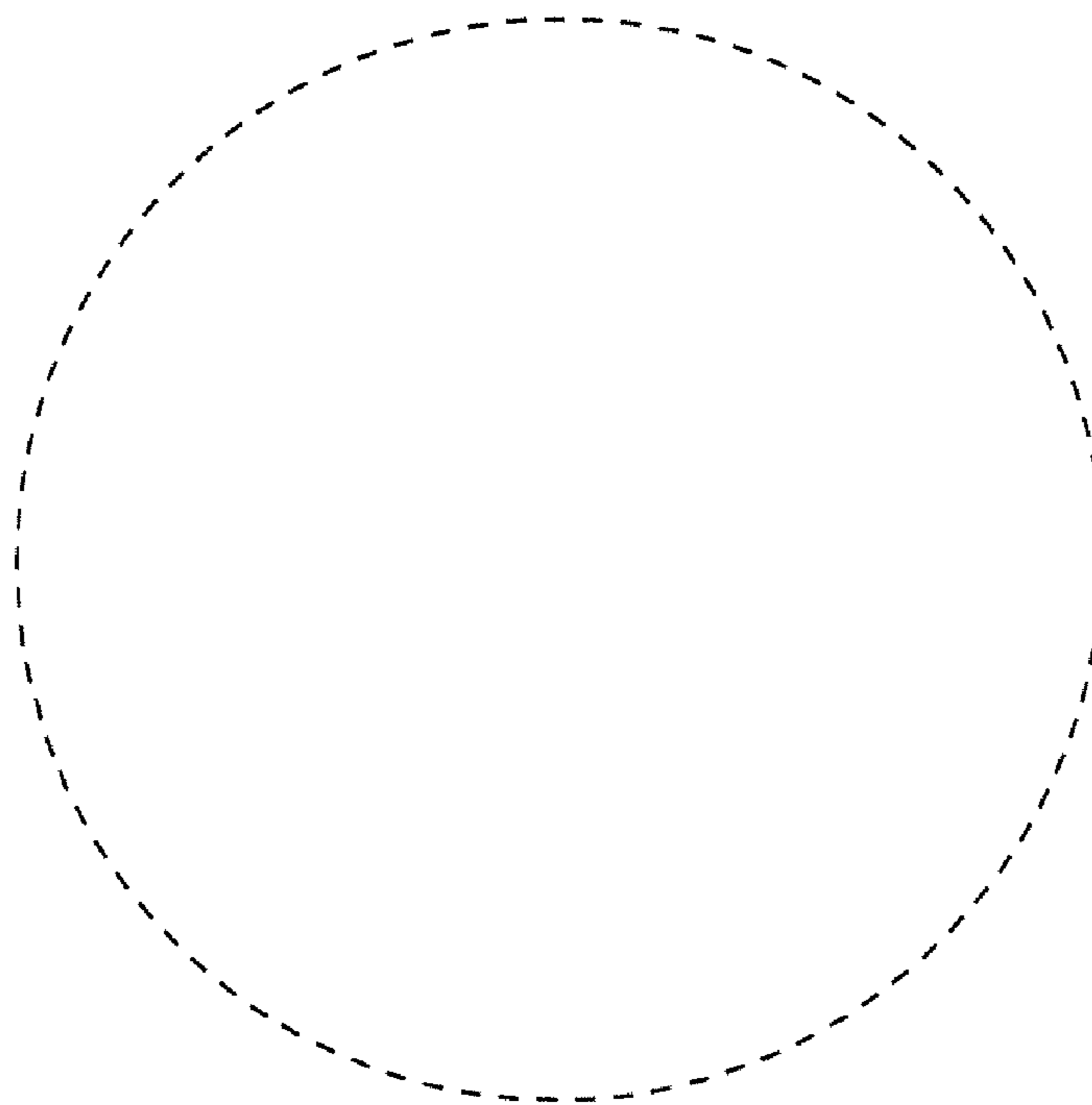


Fig. 7

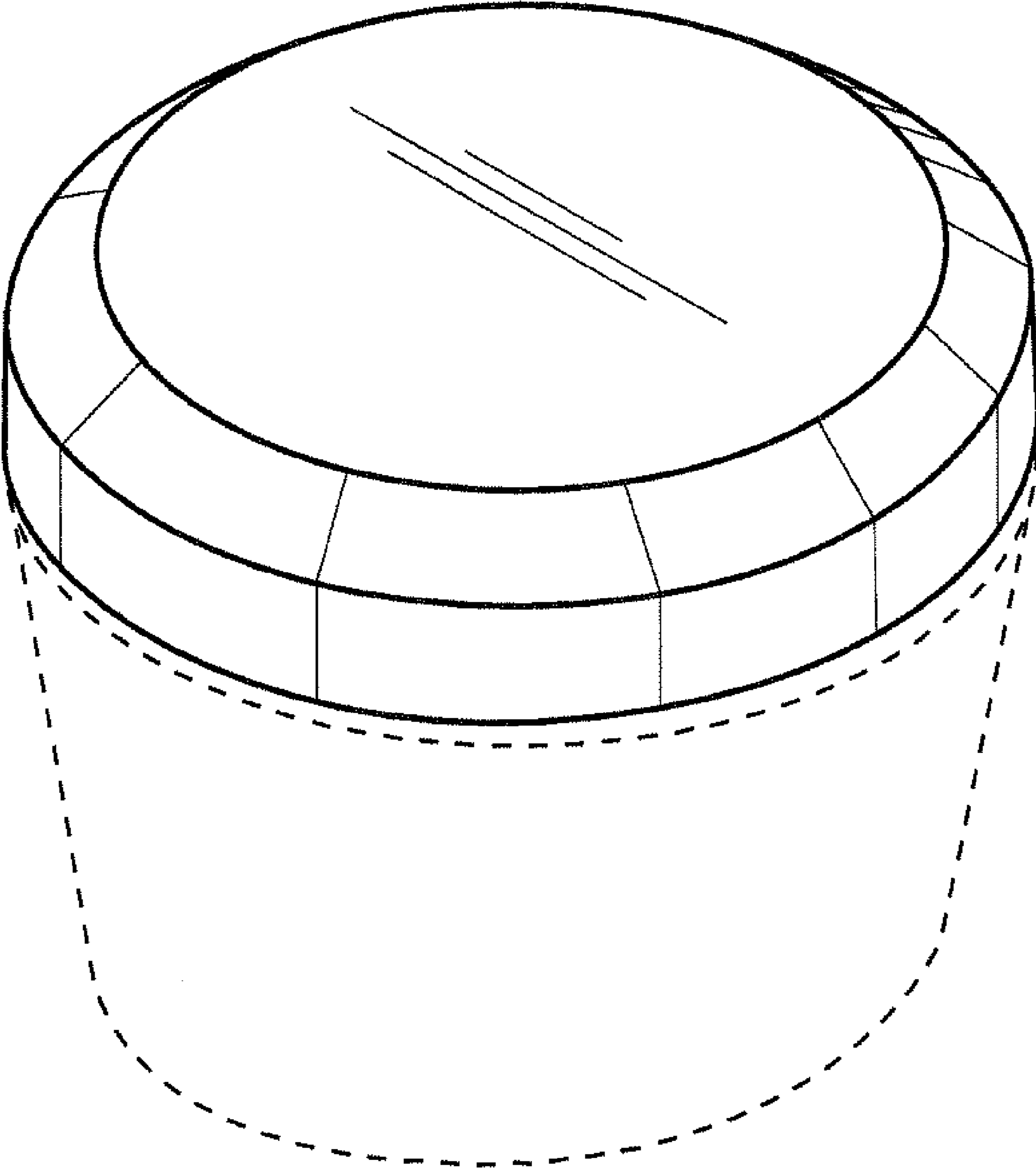


Fig. 8

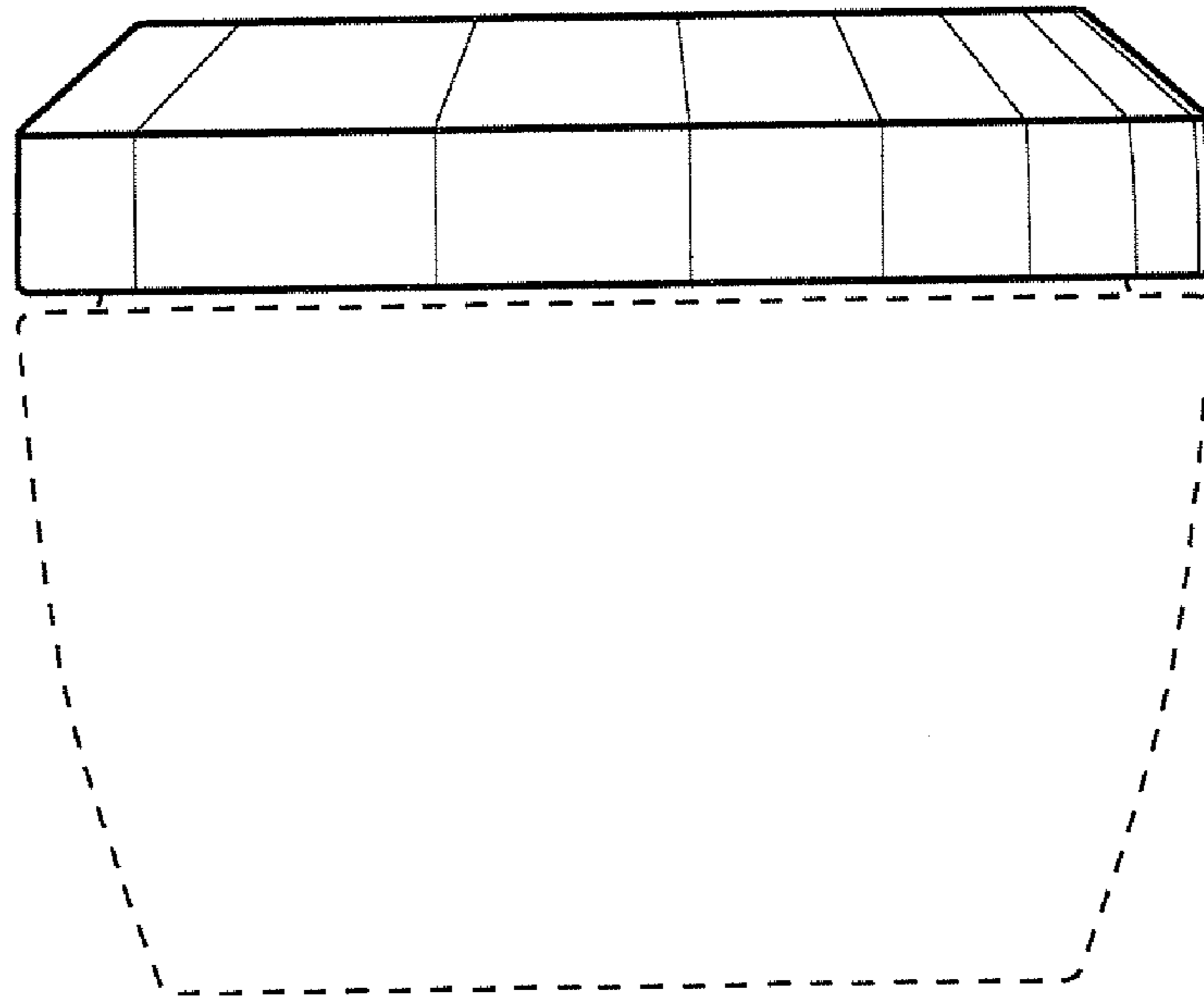


Fig. 9

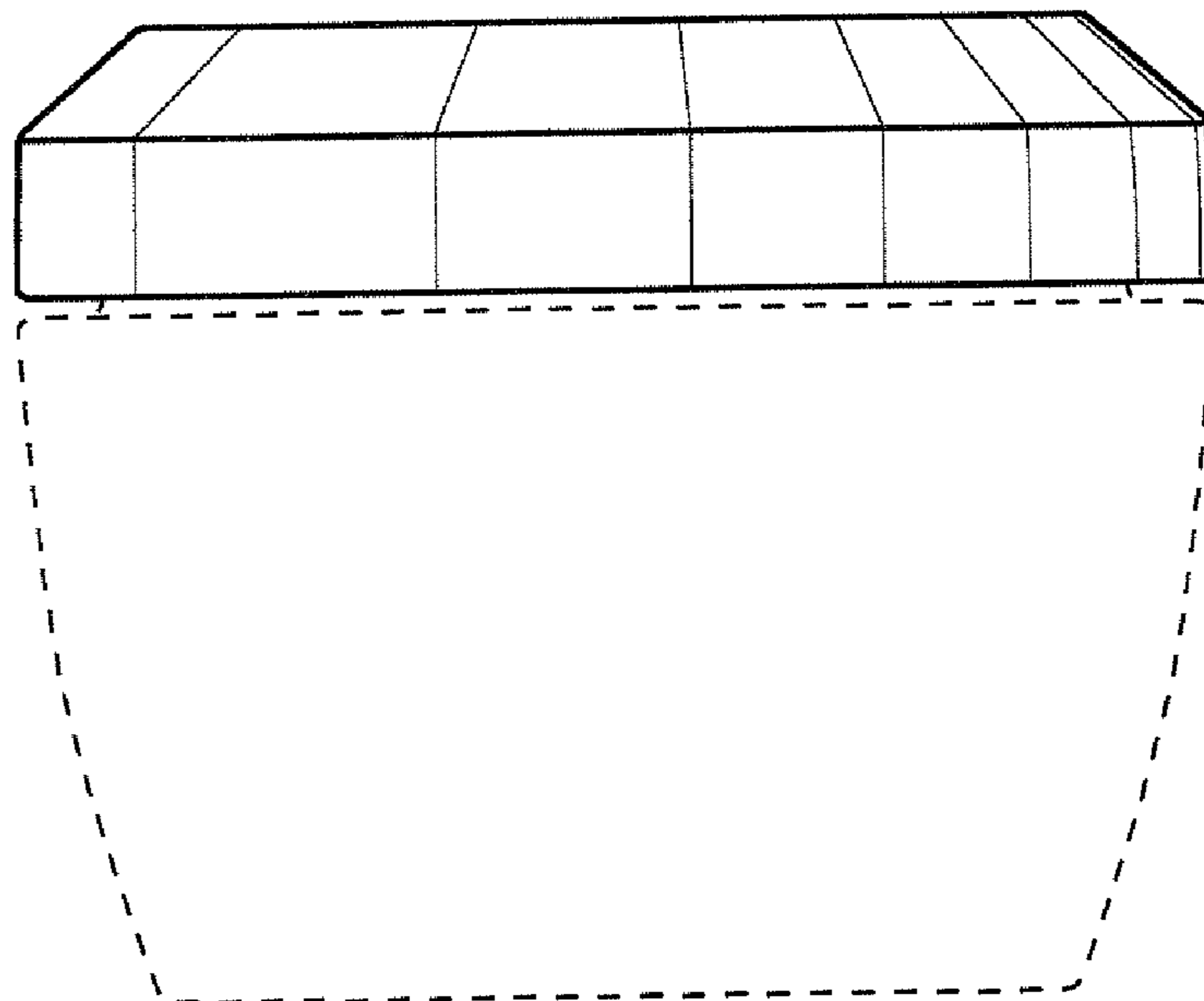


Fig. 10



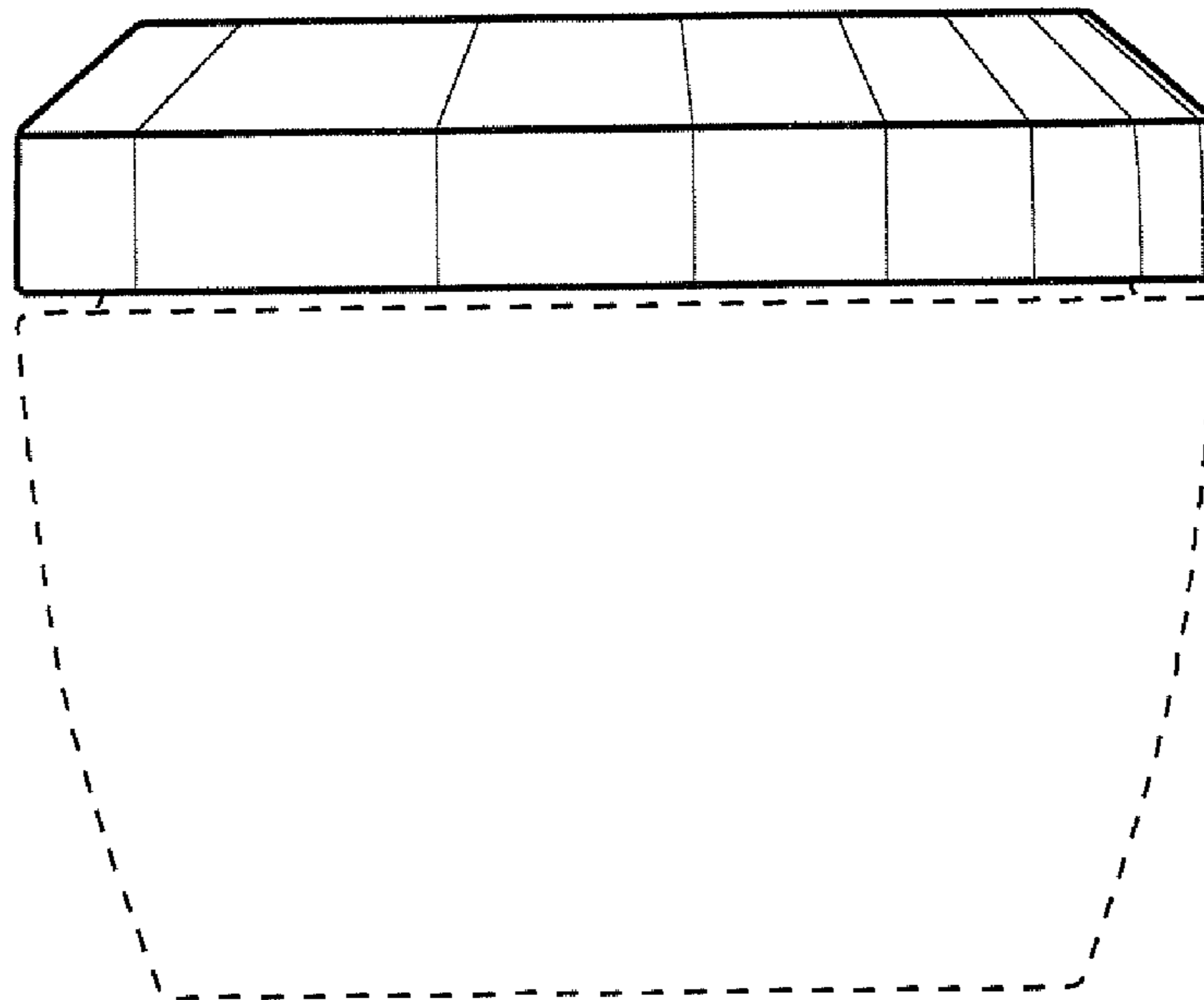


Fig. 11

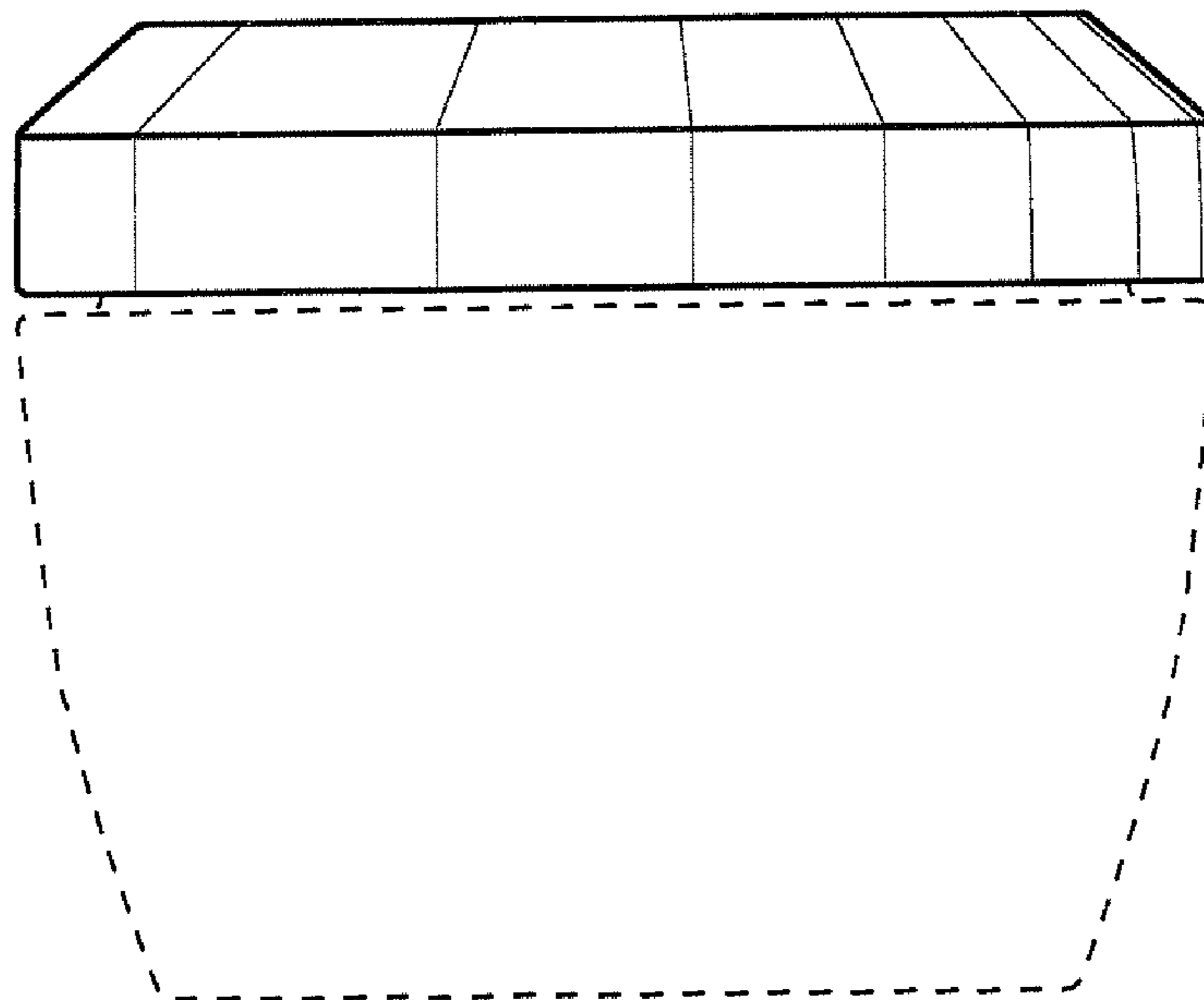


Fig. 12

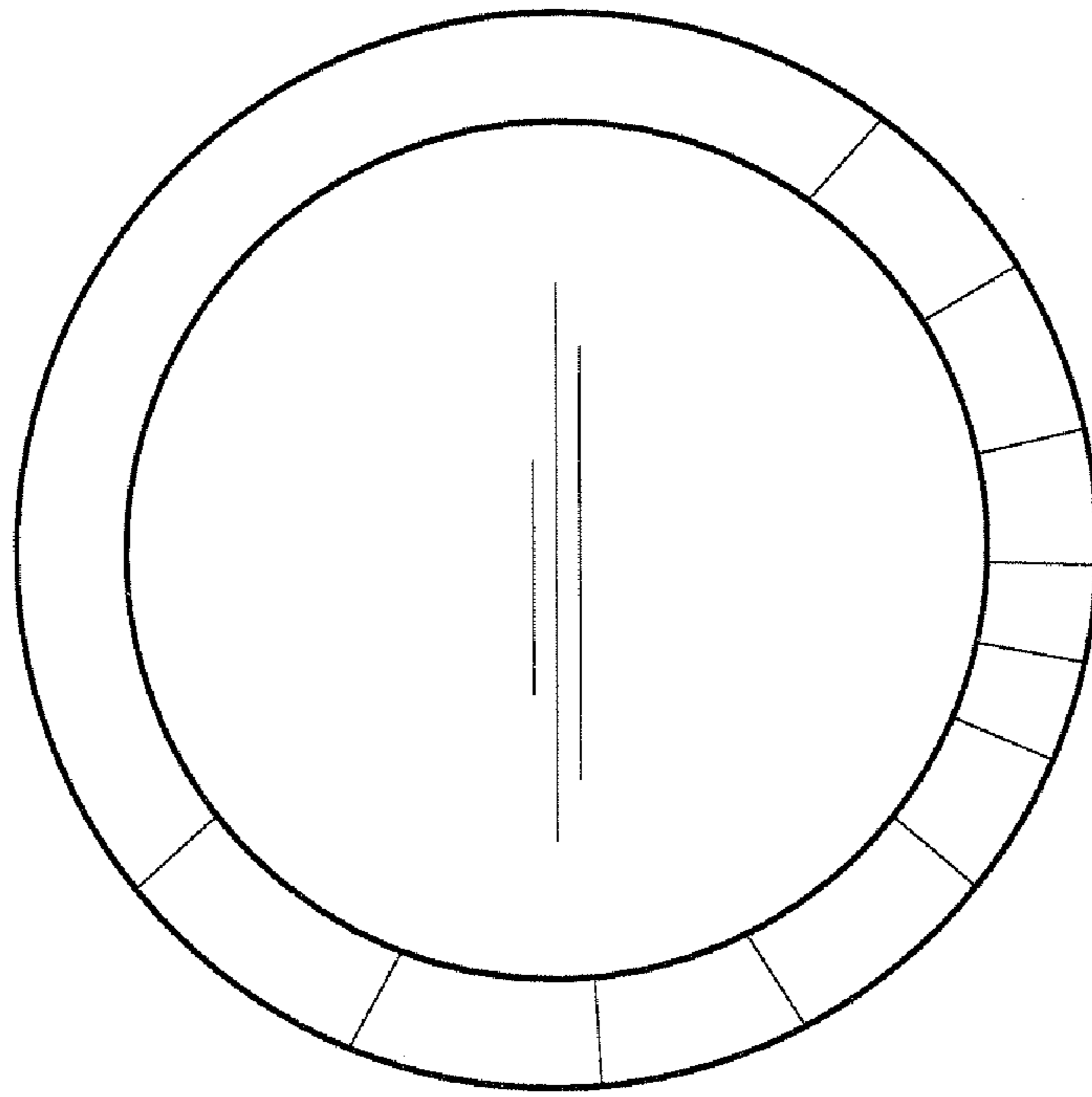


Fig. 13

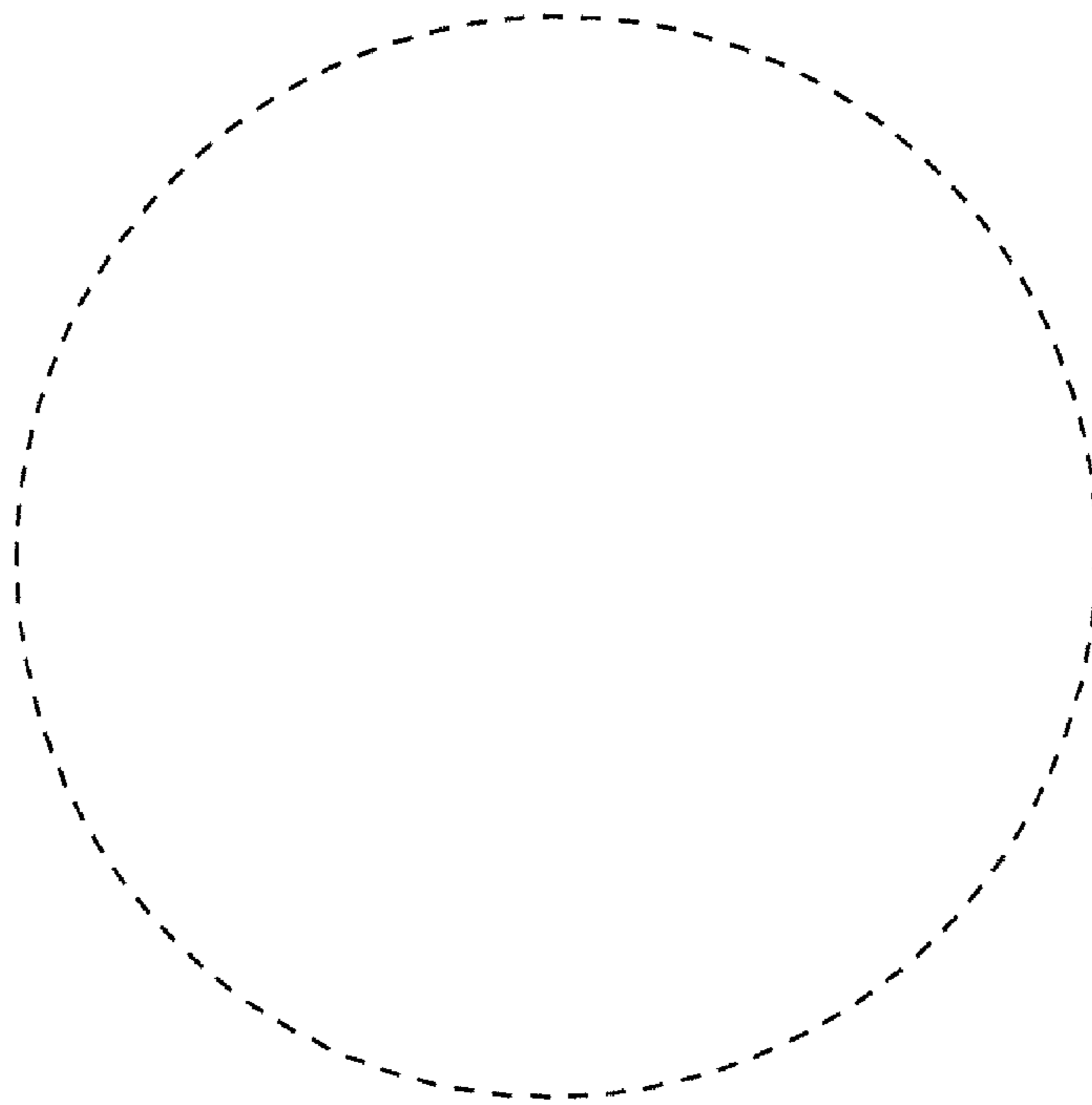


Fig. 14