



US00D649050S

(12) **United States Design Patent**
Sarnoff et al.

(10) **Patent No.:** **US D649,050 S**

(45) **Date of Patent:** **** Nov. 22, 2011**

(54) **LID**

(75) Inventors: **Norton Sarnoff**, Northbrook, IL (US);
Raj Patel, Zurich, IL (US)

(73) Assignee: **Handi-Foil Corporation**, Wheeling, IL (US)

(**) Term: **14 Years**

(21) Appl. No.: **29/377,961**

(22) Filed: **Oct. 28, 2010**

(51) **LOC (9) Cl.** **09-07**

(52) **U.S. Cl.** **D9/435; D9/453**

(58) **Field of Classification Search** D9/761,
D9/737, 732, 707-710, 456, 453, 452, 435,
D9/434, 425, 424, 416, 414; D3/304, 264;
222/94, 107; 206/522, 219, 205

See application file for complete search history.

(56) **References Cited**

U.S. PATENT DOCUMENTS

D403,581	S	*	1/1999	Nask et al.	D9/435
D450,240	S	*	11/2001	Haag et al.	D9/416
D483,999	S	*	12/2003	Beachum et al.	D7/553.6
D511,893	S	*	11/2005	Chou et al.	D3/264
D523,747	S	*	6/2006	Snedden et al.	D9/435
D596,935	S	*	7/2009	Golota et al.	D9/420
D628,471	S	*	12/2010	Golota et al.	D9/425
D632,956	S	*	2/2011	Fuller et al.	D9/424
D634,619	S	*	3/2011	Fisher	D9/425
D636,669	S	*	4/2011	Ruth	D9/434

* cited by examiner

Primary Examiner — Susan Bennett Hattan

(74) *Attorney, Agent, or Firm* — Adam Sacharoff; Much Shelist

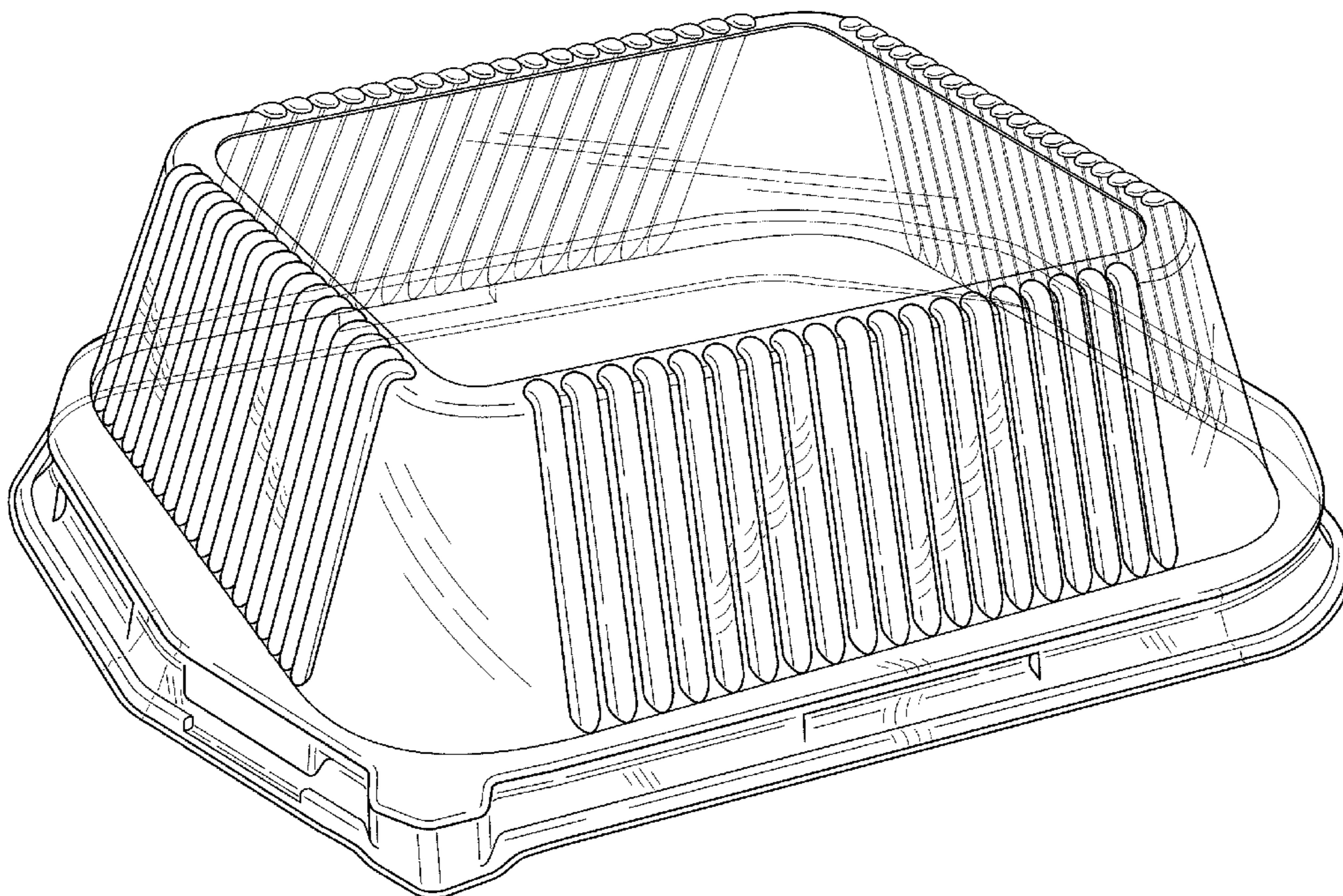
(57) **CLAIM**

The ornamental design for a lid, as shown and described.

DESCRIPTION

FIG. 1 is a top side perspective view of a lid in accordance with one embodiment of the invention shown; FIG. 2 is a left side view of the lid from FIG. 1; FIG. 3 is a right side view of the lid from FIG. 1; FIG. 4 is a front side view of the lid from FIG. 1; FIG. 5 is a back side view of the lid from FIG. 1; FIG. 6 is a top side view of the lid from FIG. 1; FIG. 7 is a bottom side view of the lid from FIG. 1; FIG. 8 is a top side perspective view of a lid in accordance with a second embodiment of the invention shown; FIG. 9 is a left side view of the lid from FIG. 8; FIG. 10 is a right side view of the lid from FIG. 8; FIG. 11 is a front side view of the lid from FIG. 8; FIG. 12 is a back side view of the lid from FIG. 8; FIG. 13 is a top side view of the lid from FIG. 8; and, FIG. 14 is a bottom side view of the lid from FIG. 8. The broken lines showing are for the purpose of illustrating portions of the environmental structure and forms no part of the claimed design.

1 Claim, 10 Drawing Sheets



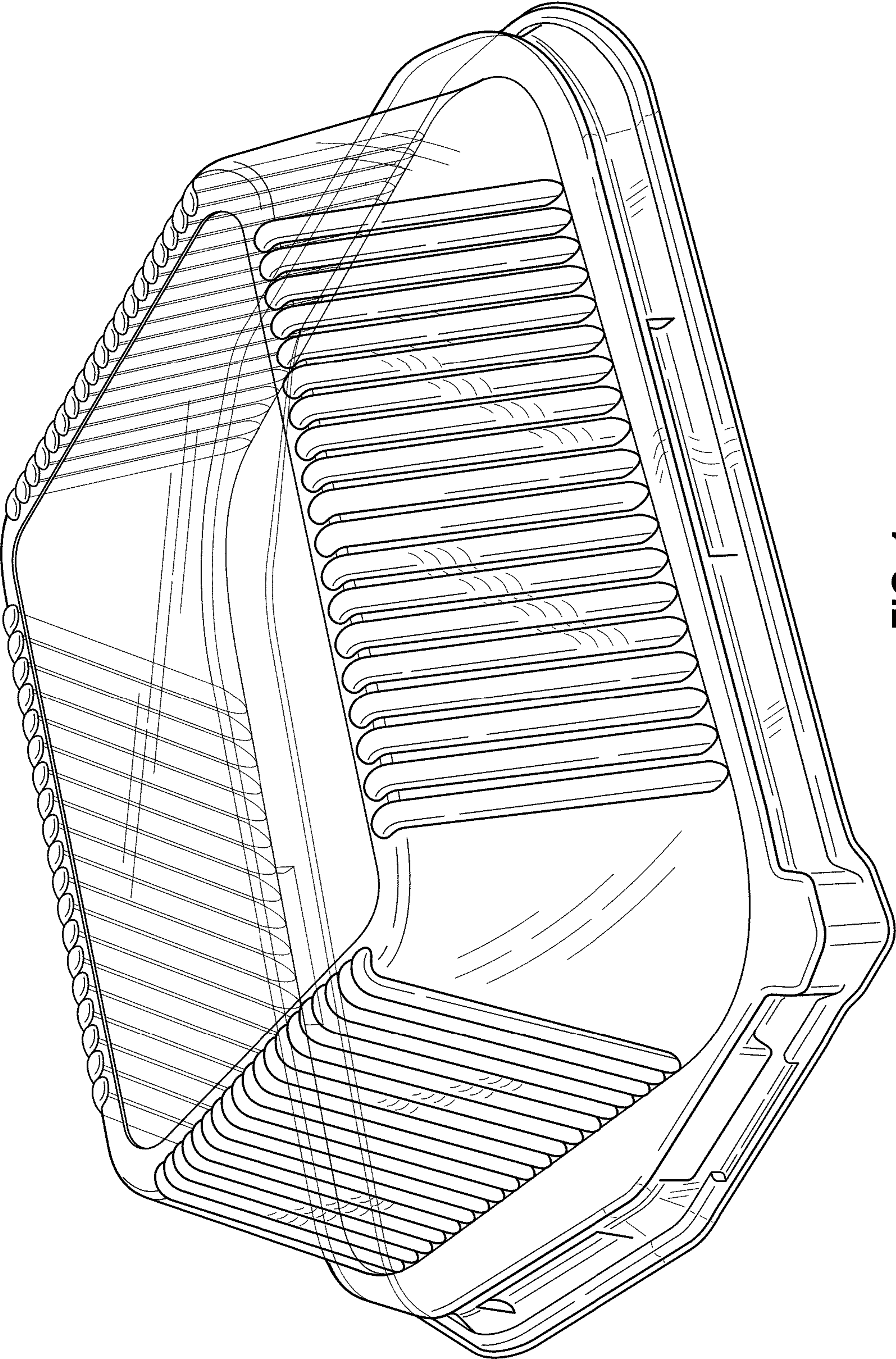


FIG. 1

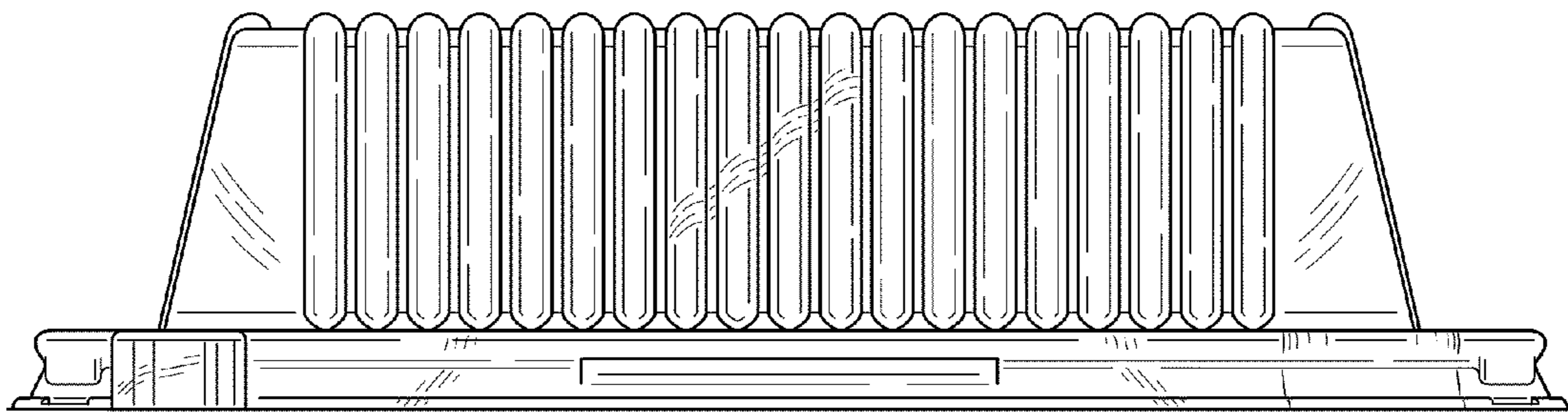


FIG. 2

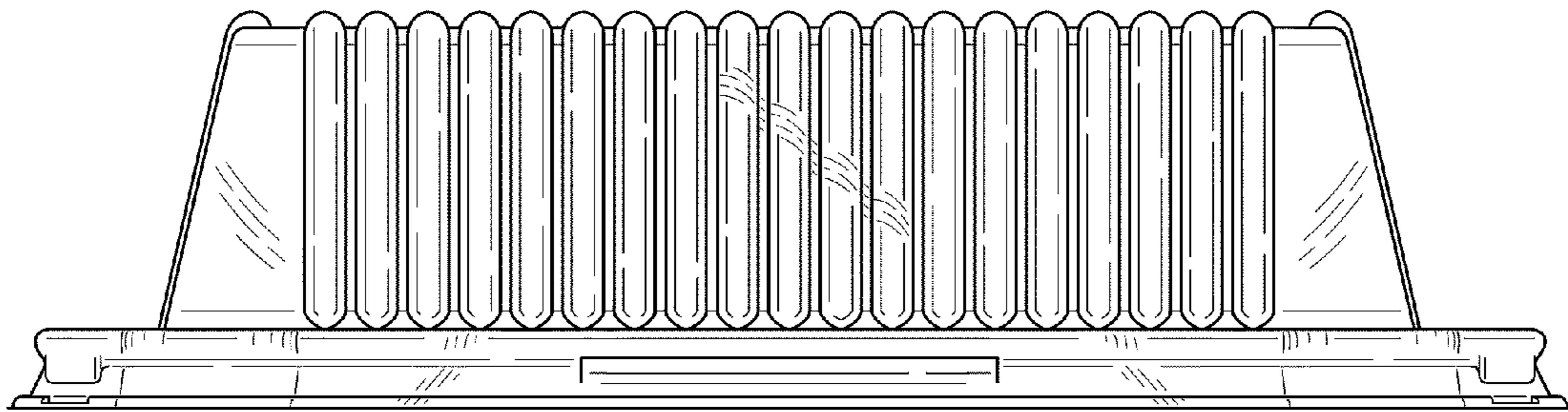


FIG. 3

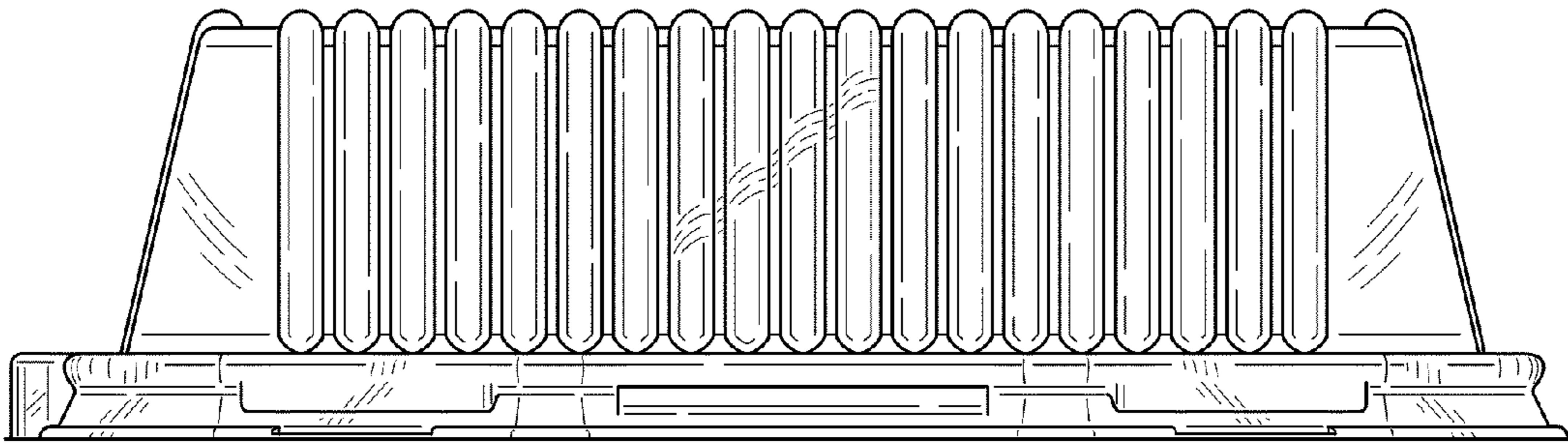


FIG. 4

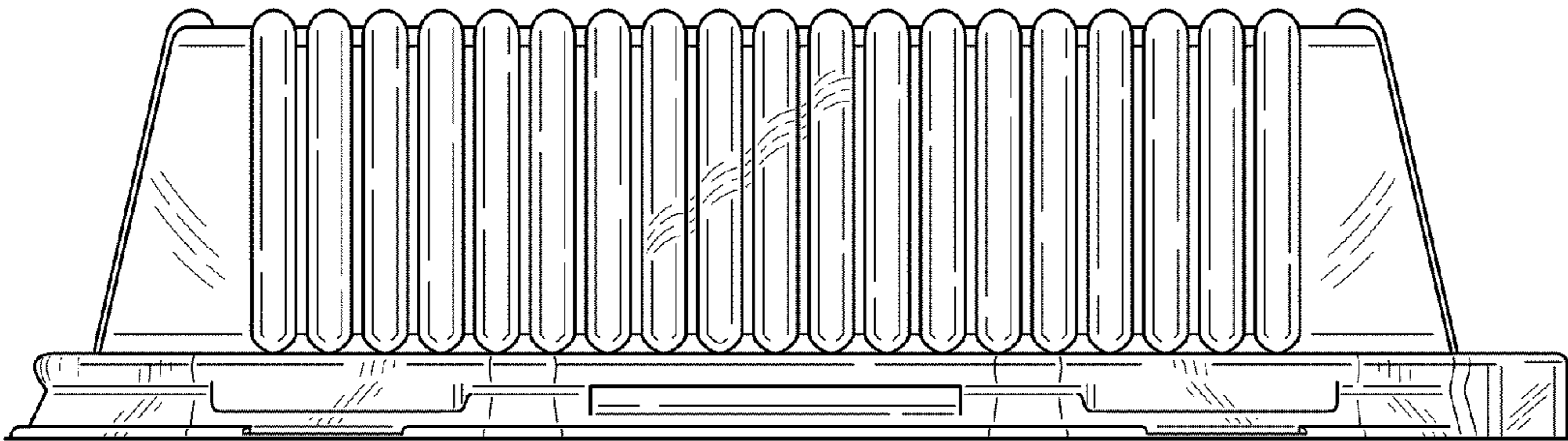


FIG. 5

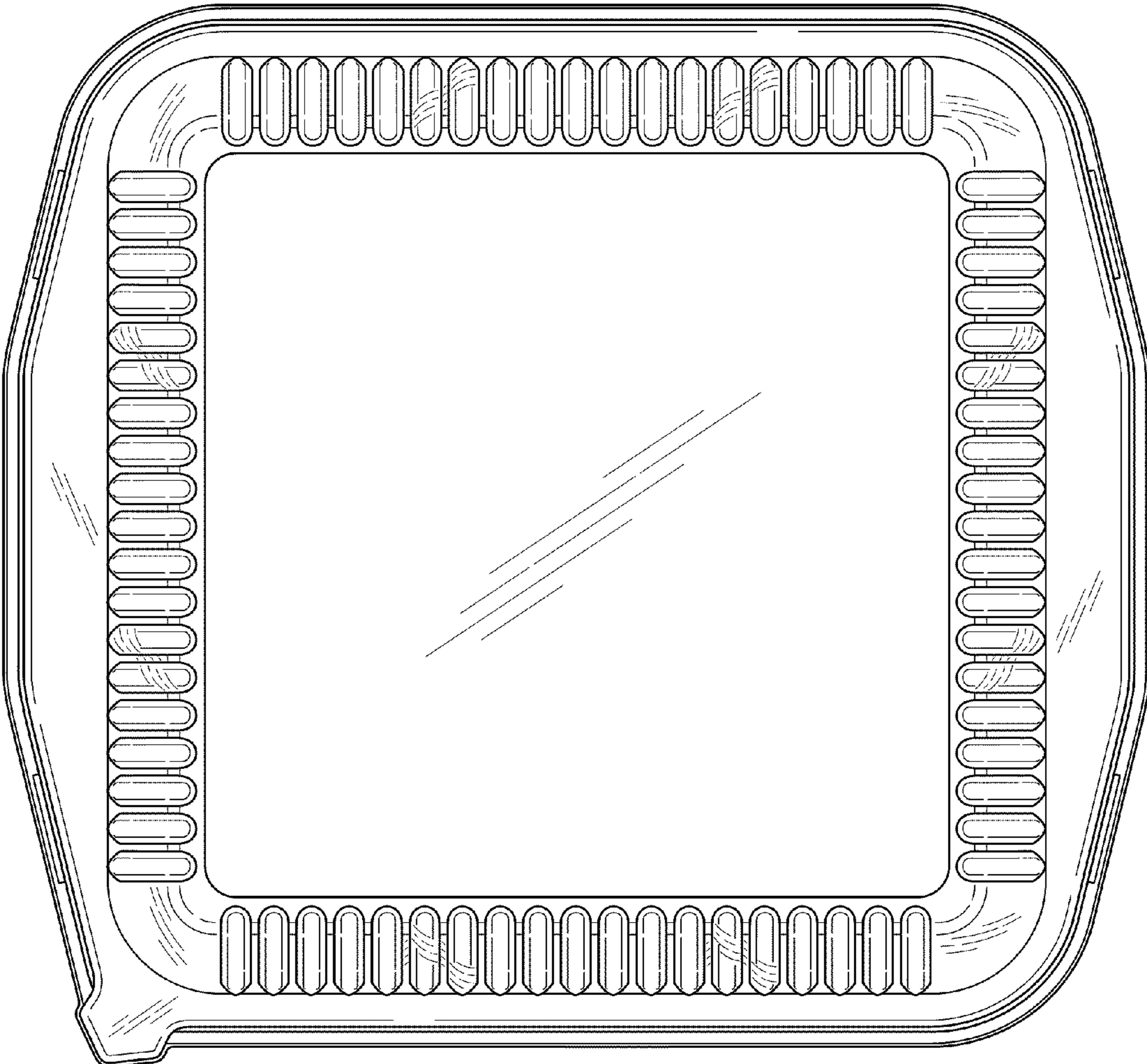


FIG. 6

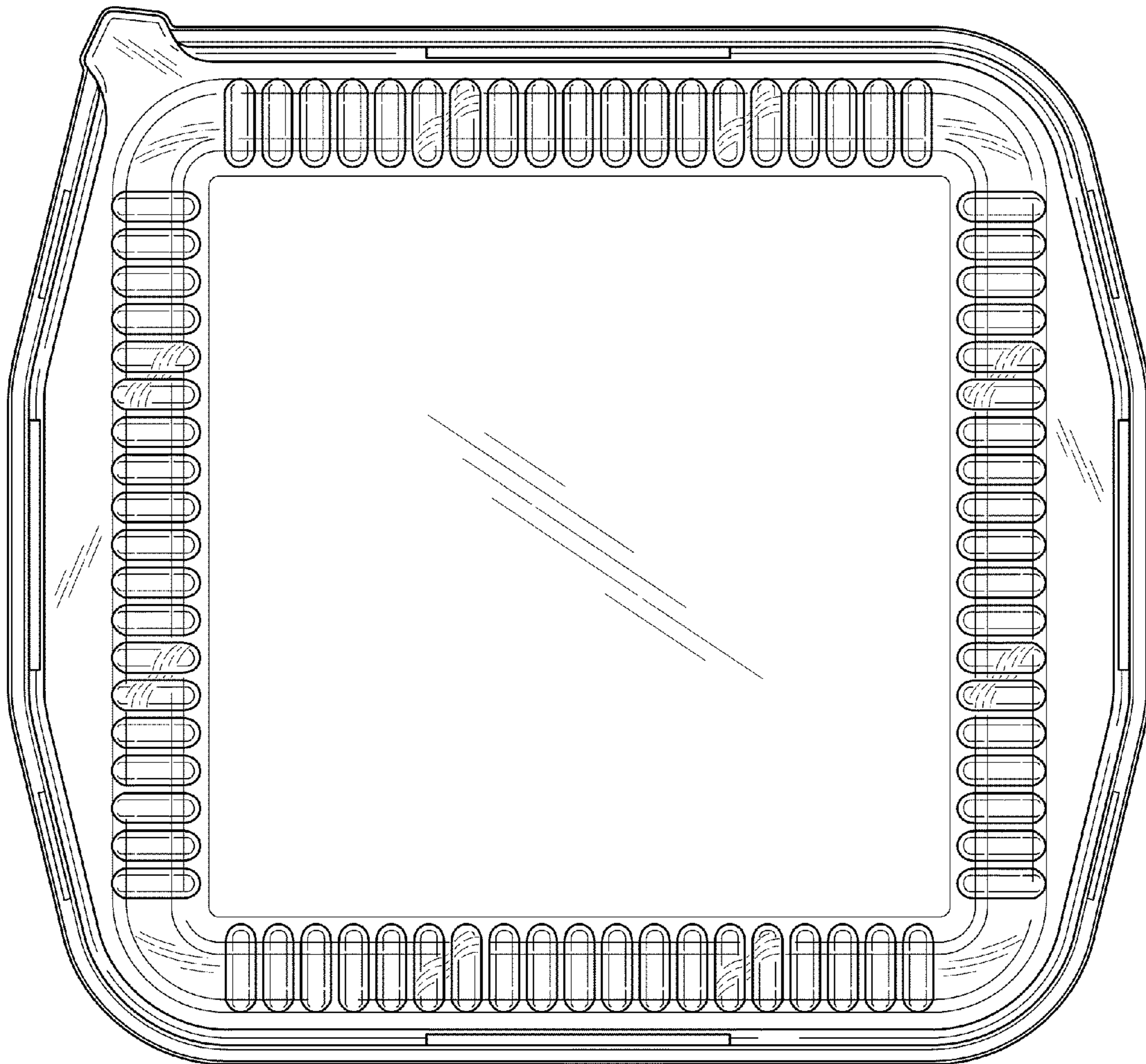


FIG. 7

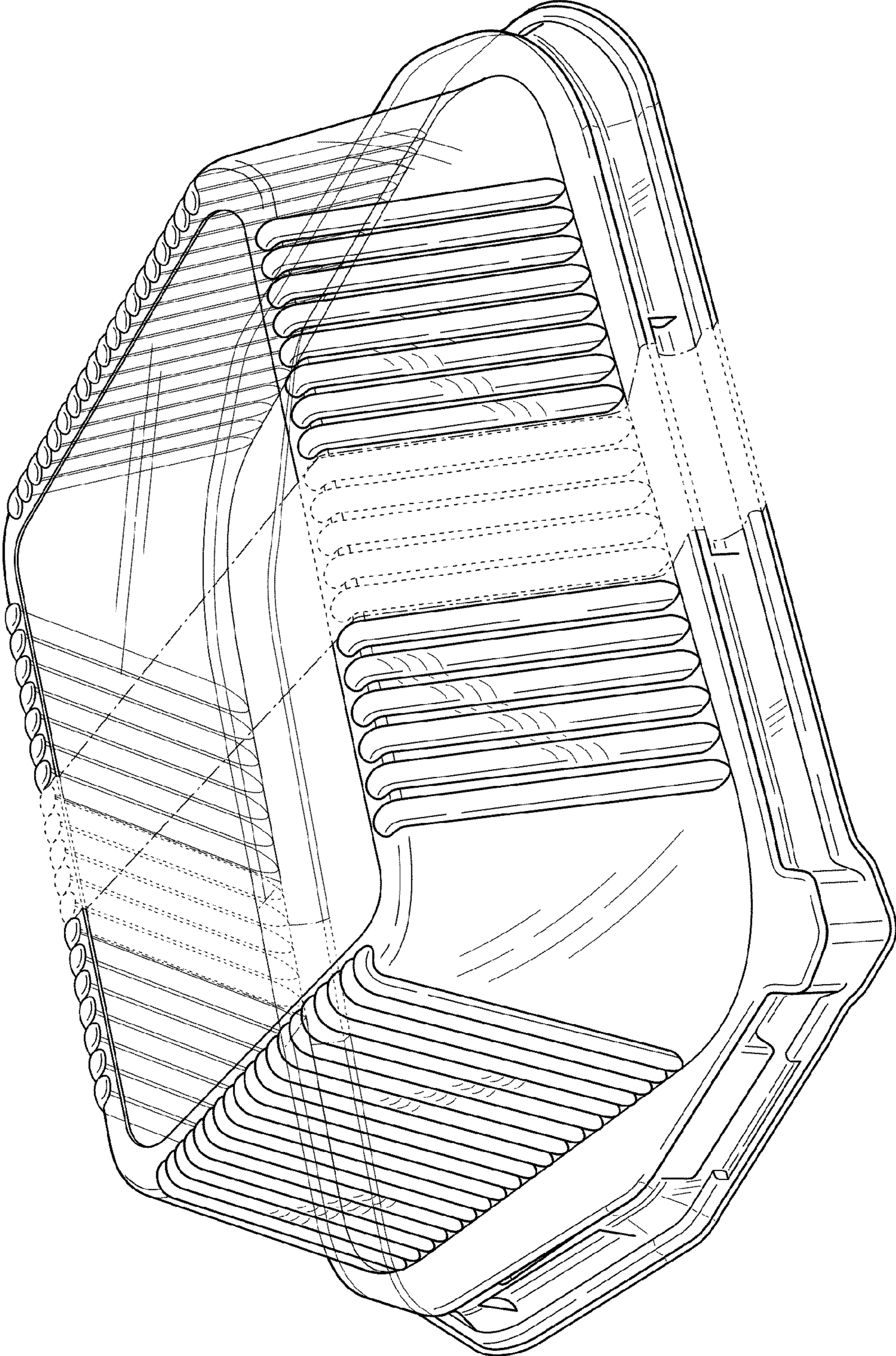


FIG. 8

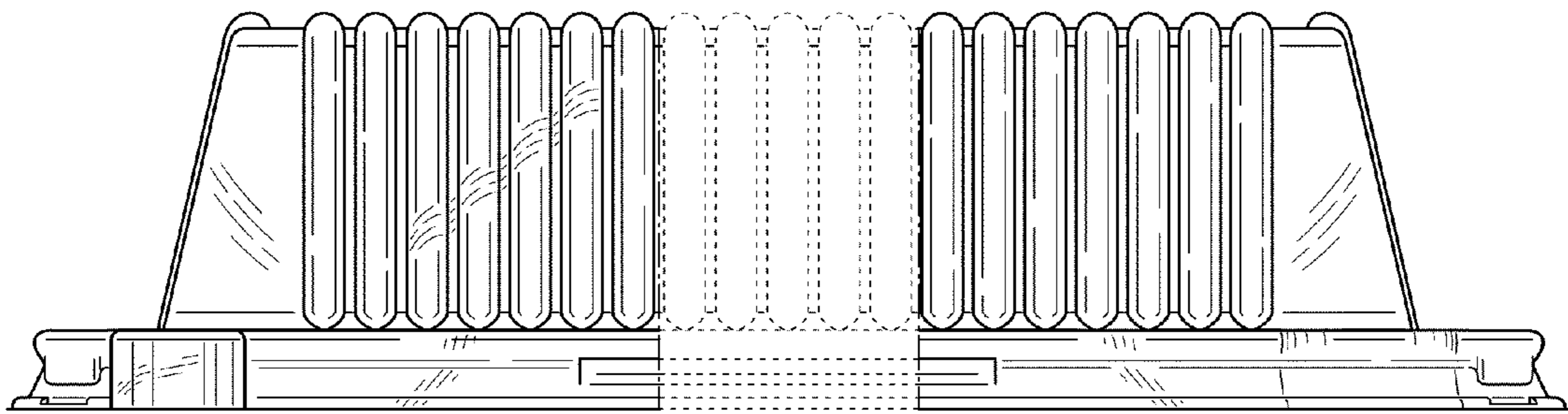


FIG. 9

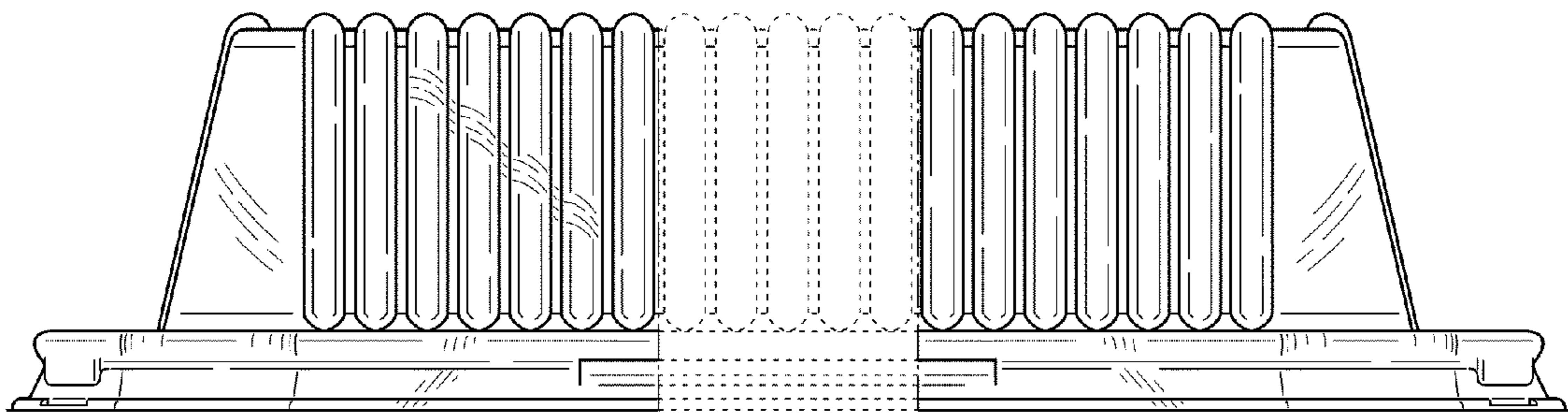


FIG. 10

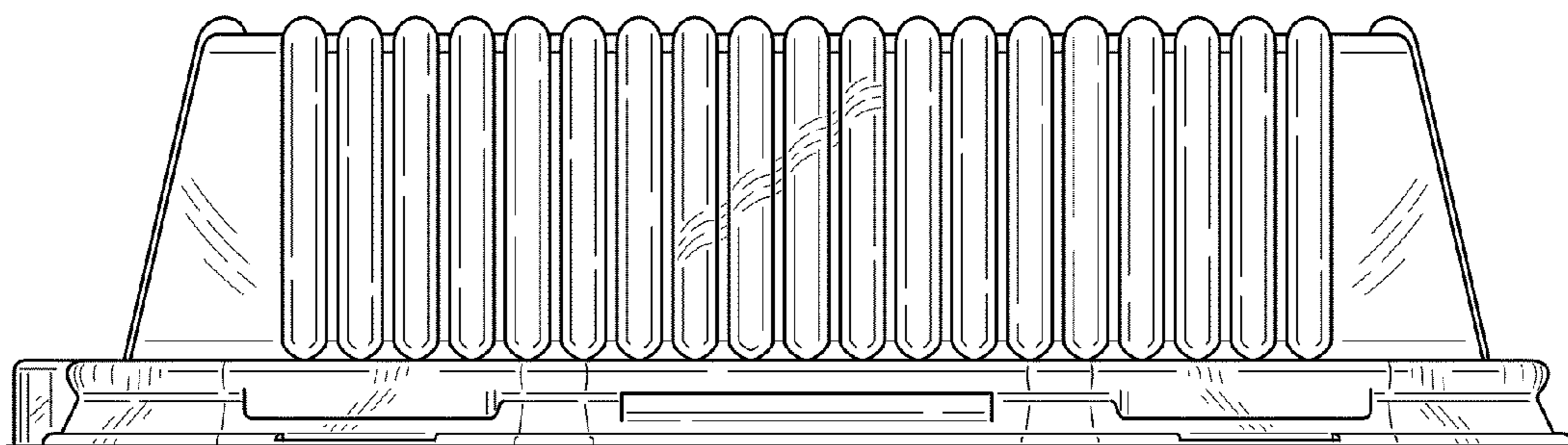


FIG. 11

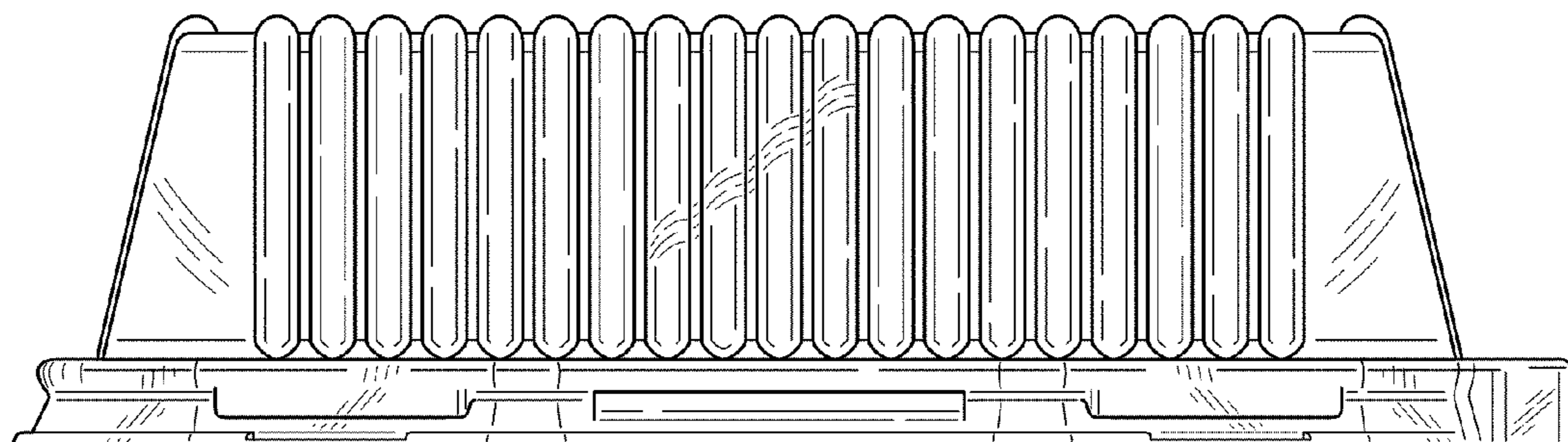


FIG. 12

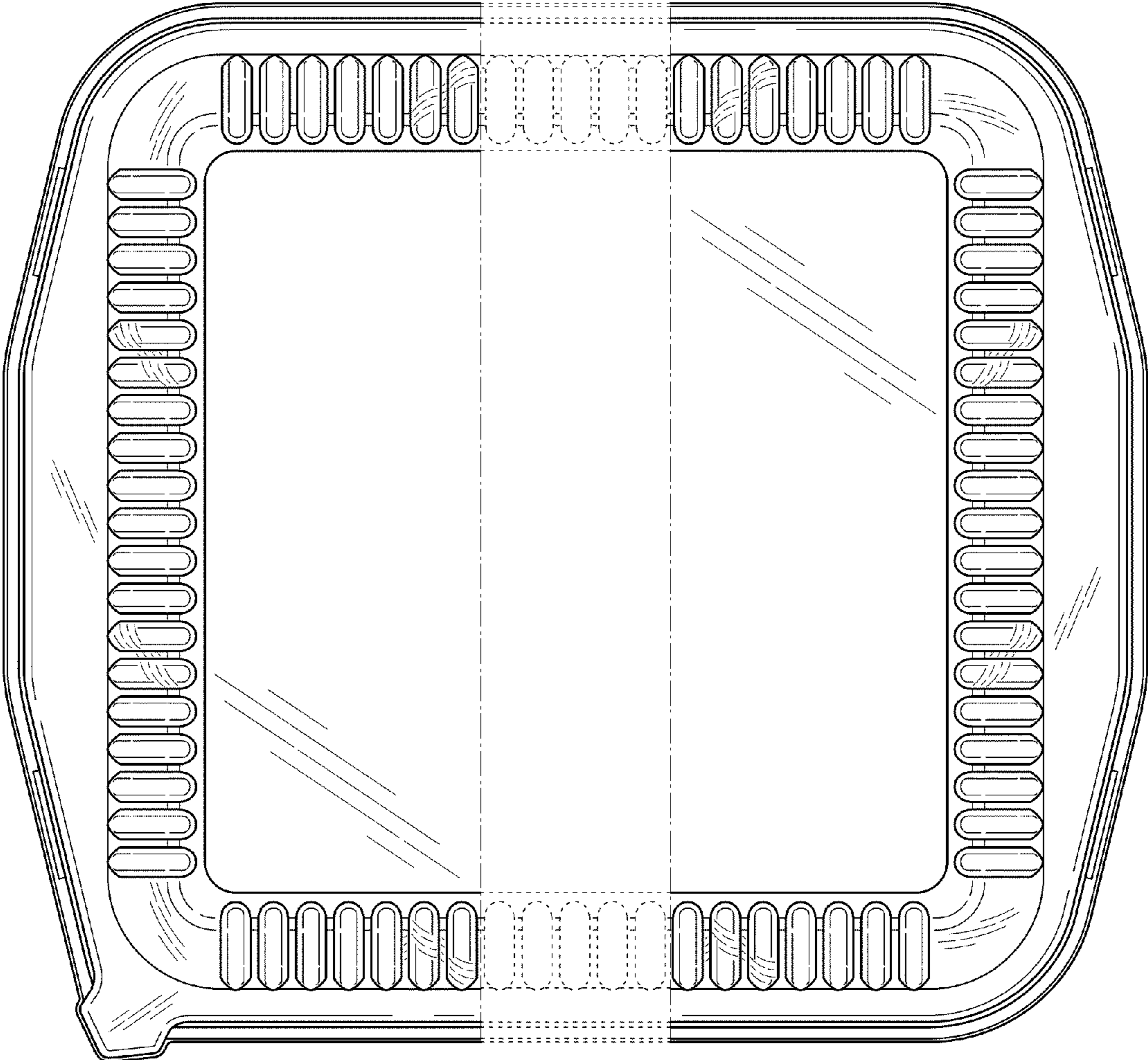


FIG. 13

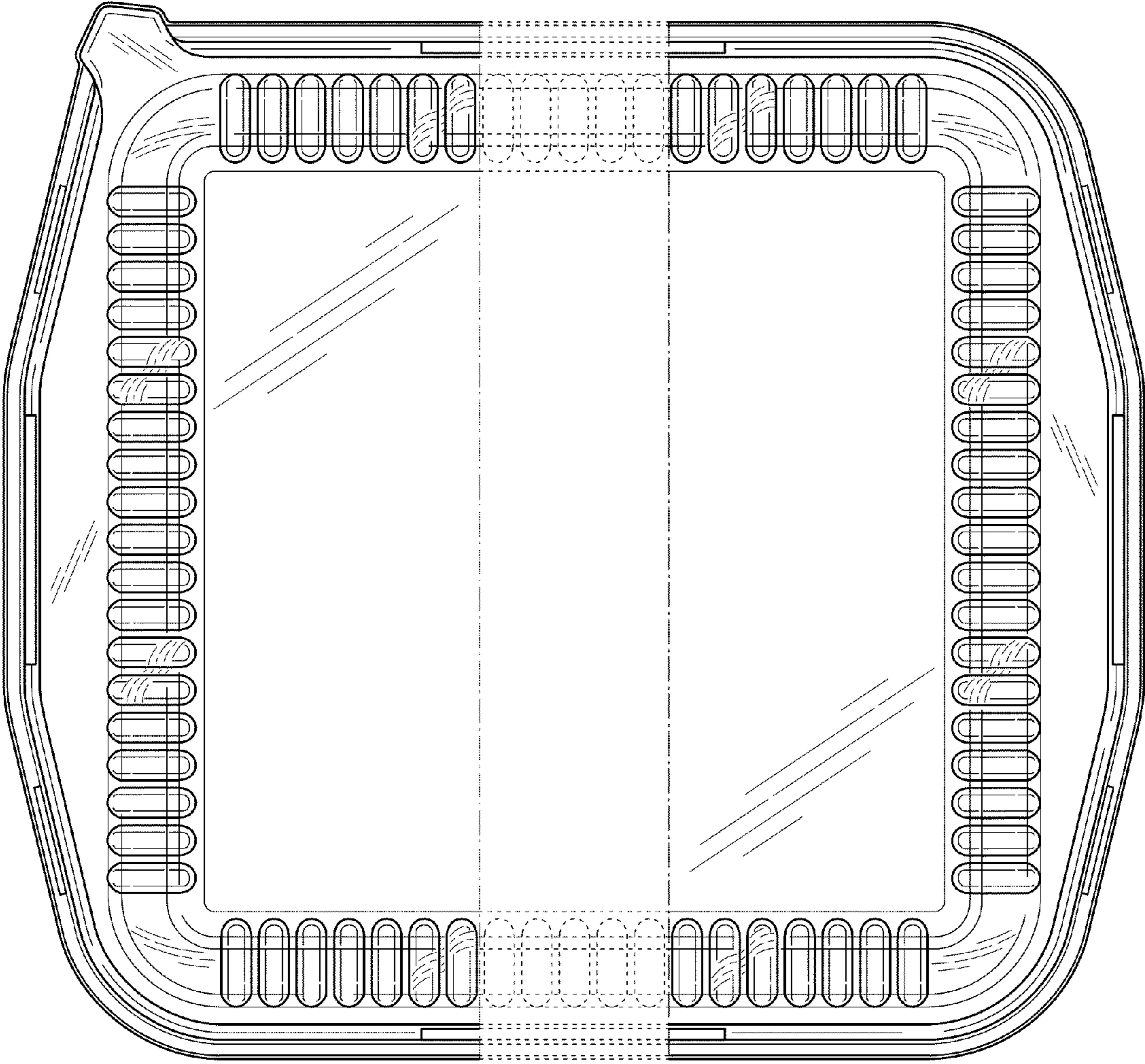


FIG. 14