



US00D649040S

(12) **United States Design Patent**  
**Sanders**

(10) **Patent No.:** **US D649,040 S**

(45) **Date of Patent:** **\*\* Nov. 22, 2011**

(54) **PIZZA BOX**

(75) Inventor: **Scott Sanders**, Moreland Hills, OH (US)

(73) Assignee: **C.P.R. LLC**, Moreland Hills, OH (US)

(\*\*) Term: **14 Years**

(21) Appl. No.: **29/380,058**

(22) Filed: **Nov. 30, 2010**

(51) **LOC (9) Cl.** ..... **09-03**

(52) **U.S. Cl.** ..... **D9/432**

(58) **Field of Classification Search** ..... D9/414,  
D9/417, 418, 420-424, 430-433, 600-601,  
D9/606; 206/457, 461, 527, 541; 229/406,  
229/407, 902, 905, 906, 938; D3/270-271.2;  
220/890; 426/128; D21/597, 658

See application file for complete search history.

(56) **References Cited**

**U.S. PATENT DOCUMENTS**

2,090,780	A *	8/1937	Bonville	.....	229/199
D274,889	S *	7/1984	Sullivan	.....	D9/426
5,014,853	A *	5/1991	Crockett	.....	229/103
5,049,710	A *	9/1991	Prosise et al.	.....	219/730
5,209,392	A *	5/1993	Anatro	.....	229/117.01
5,445,314	A *	8/1995	Newsome	.....	229/120.21
D362,803	S *	10/1995	McMullen, Jr.	.....	D9/432
6,386,440	B1 *	5/2002	Tulkoff	.....	229/120.32
6,749,106	B2 *	6/2004	Keefe et al.	.....	229/110
6,752,311	B2 *	6/2004	Tulkoff	.....	229/104
D641,236	S *	7/2011	Sanders	.....	D9/431
2009/0206092	A1 *	8/2009	Erberich	.....	220/556

\* cited by examiner

*Primary Examiner* — Thomas Johannes

(74) *Attorney, Agent, or Firm* — Fay Sharpe LLP; Brian E. Turung

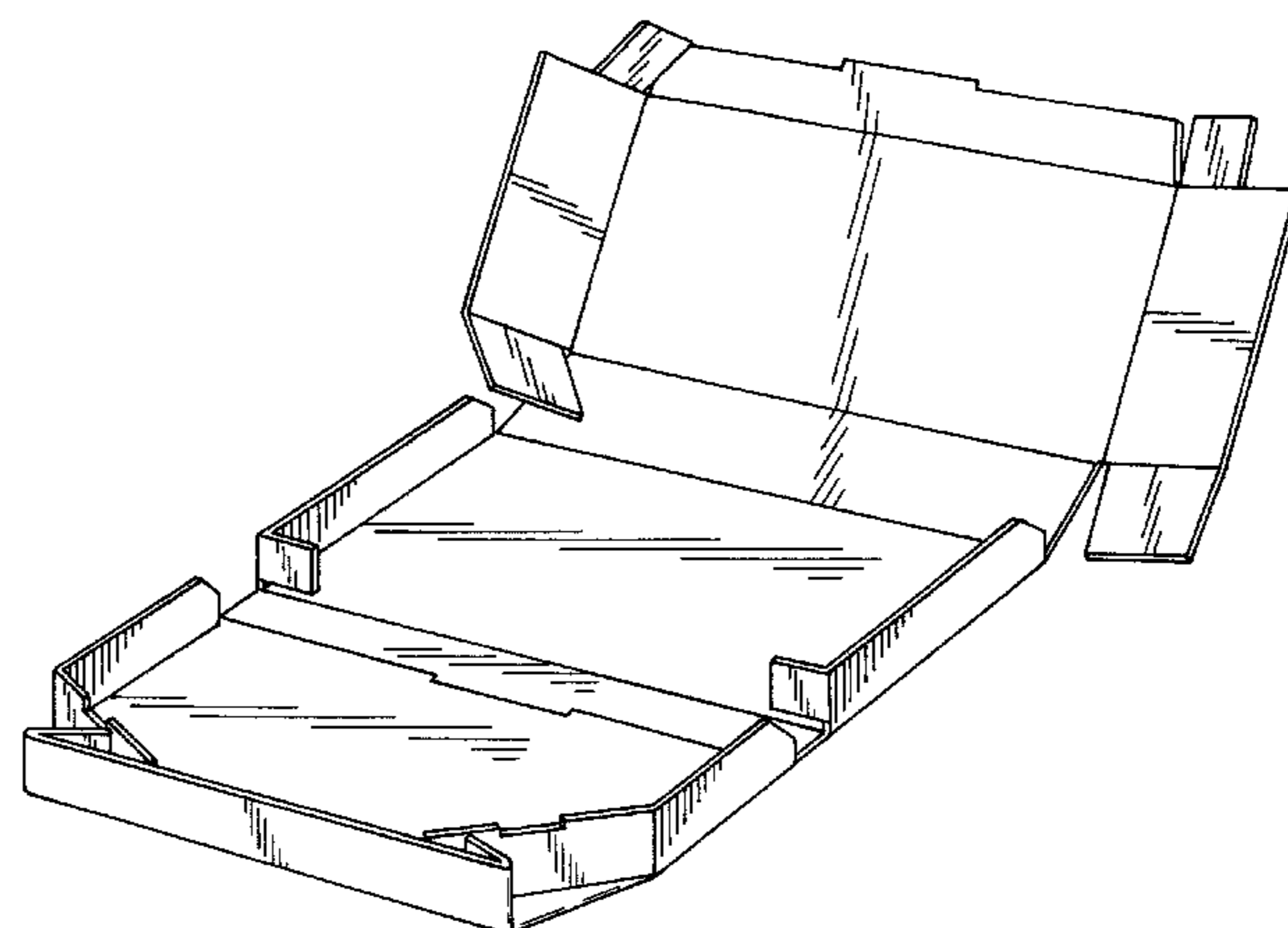
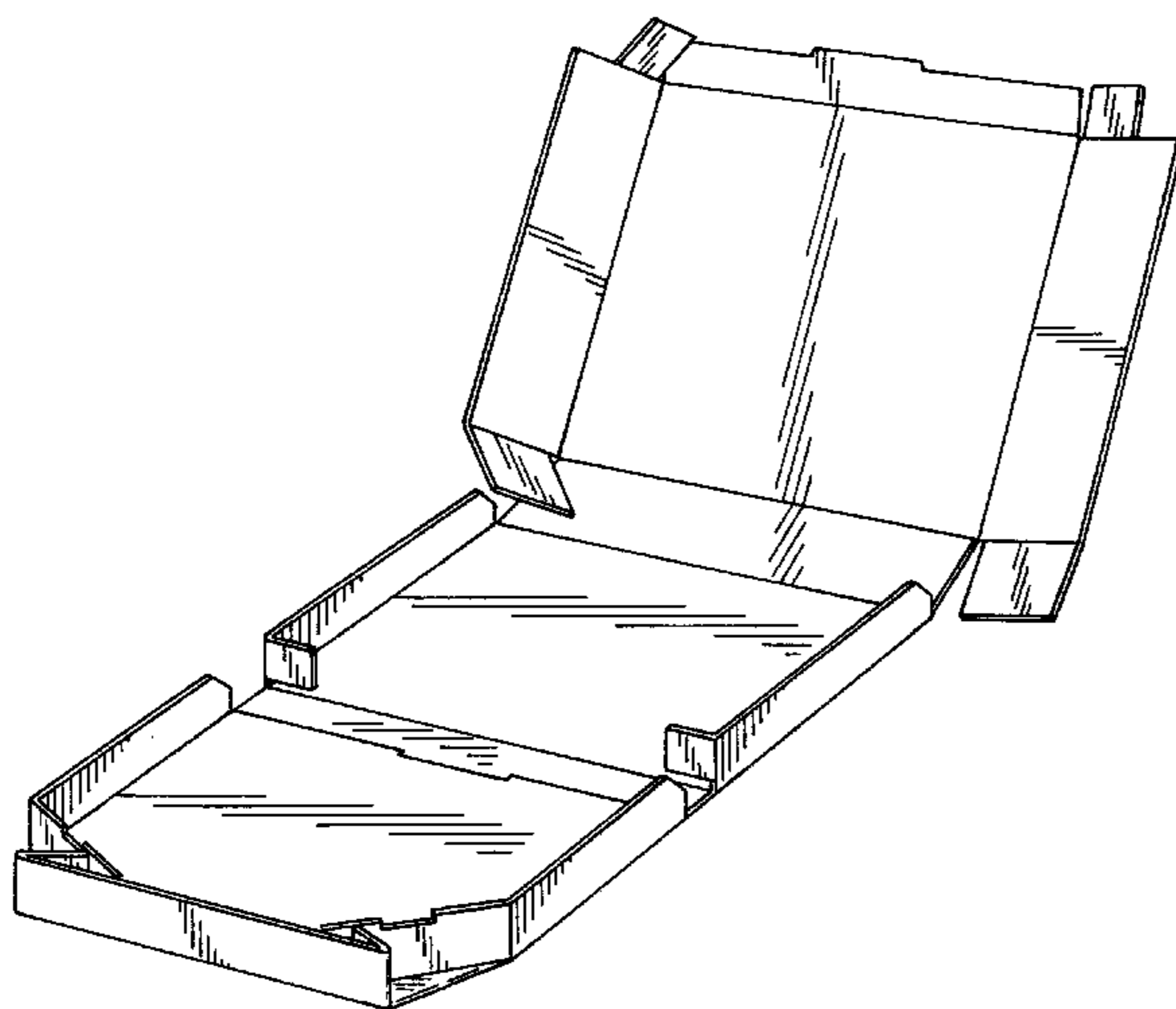
(57) **CLAIM**

The ornamental design for a pizza box, as shown and described.

**DESCRIPTION**

FIG. 1 is a front perspective view of a first embodiment of a pizza box showing my new design;  
 FIG. 2 is a front elevation view thereof;  
 FIG. 3 is a left elevation view thereof;  
 FIG. 4 is a right elevation view thereof;  
 FIG. 5 is a rear elevation view thereof;  
 FIG. 6 is a top plan view thereof;  
 FIG. 7 is a bottom plan view thereof;  
 FIG. 8 is a partially open perspective view thereof;  
 FIG. 9 is a fully open perspective view thereof;  
 FIG. 10 is a front perspective view of a second embodiment of another pizza box showing my new design;  
 FIG. 11 is a front elevation view thereof;  
 FIG. 12 is a left elevation view thereof;  
 FIG. 13 is a right elevation view thereof;  
 FIG. 14 is a rear elevation view thereof;  
 FIG. 15 is a top plan view thereof;  
 FIG. 16 is a bottom plan view thereof; and,  
 FIG. 17 is a fully open perspective view thereof.

**1 Claim, 10 Drawing Sheets**



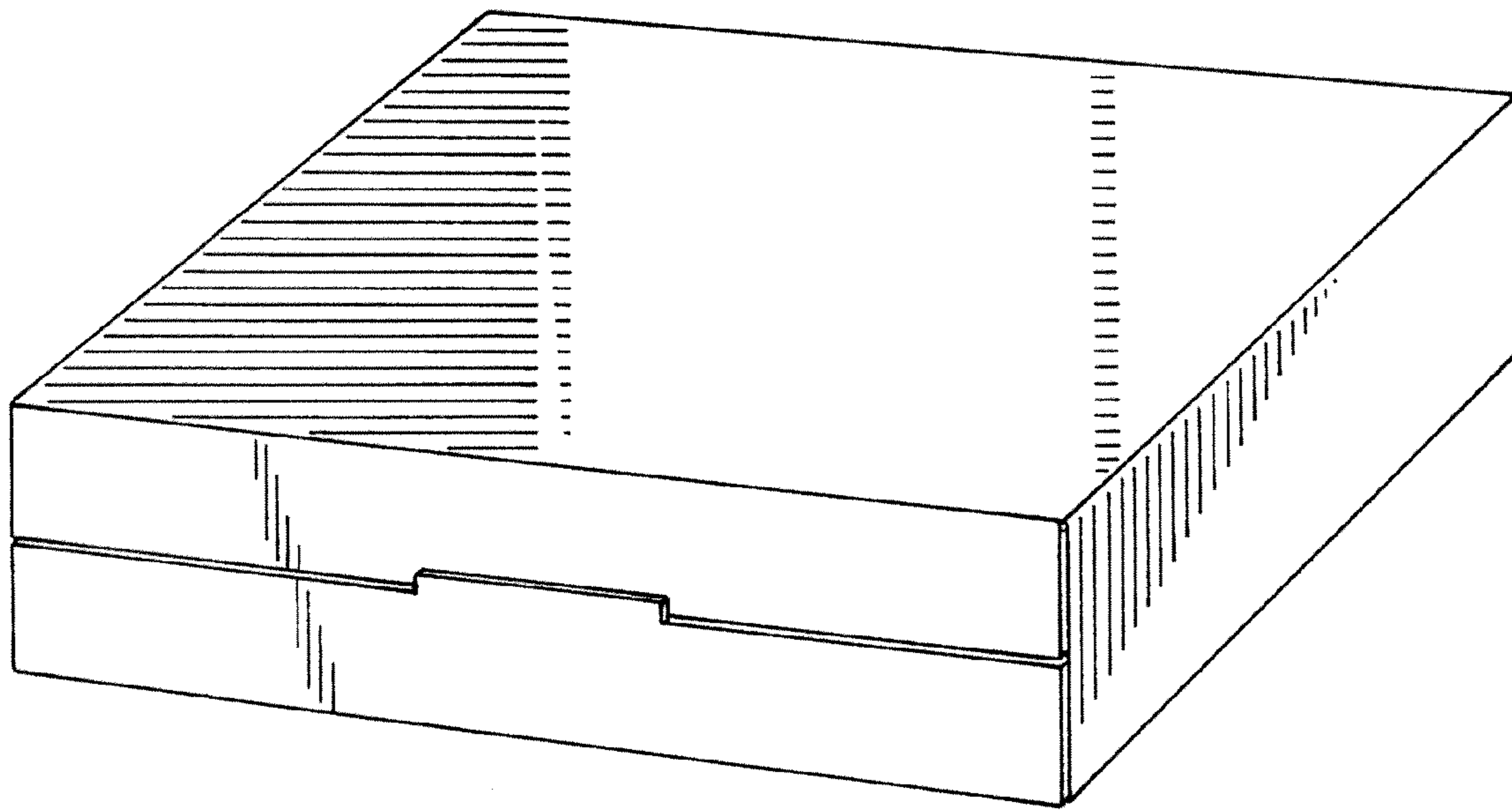


FIG. 1

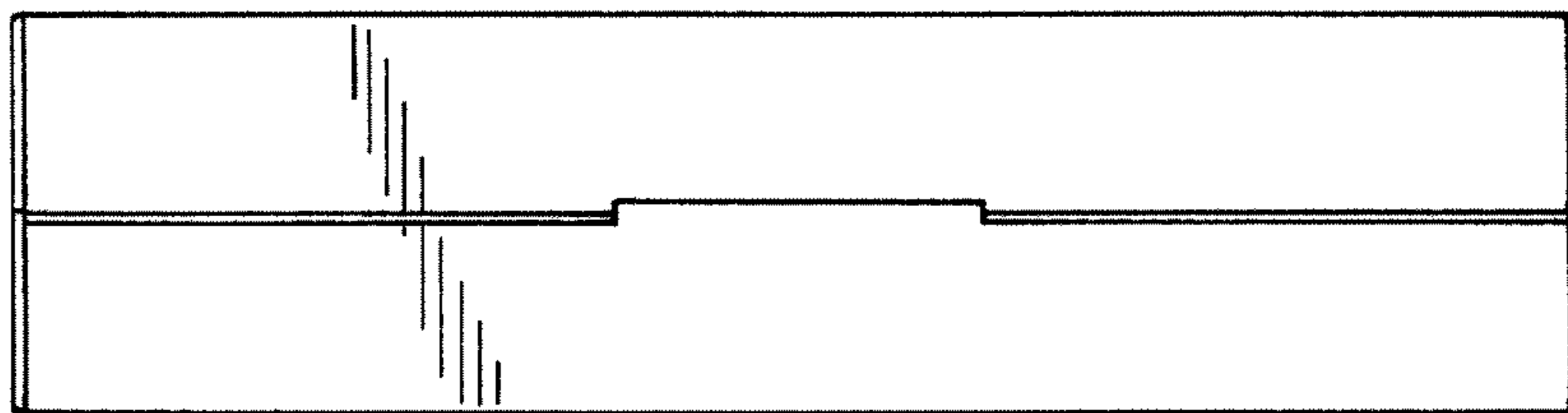


FIG. 2

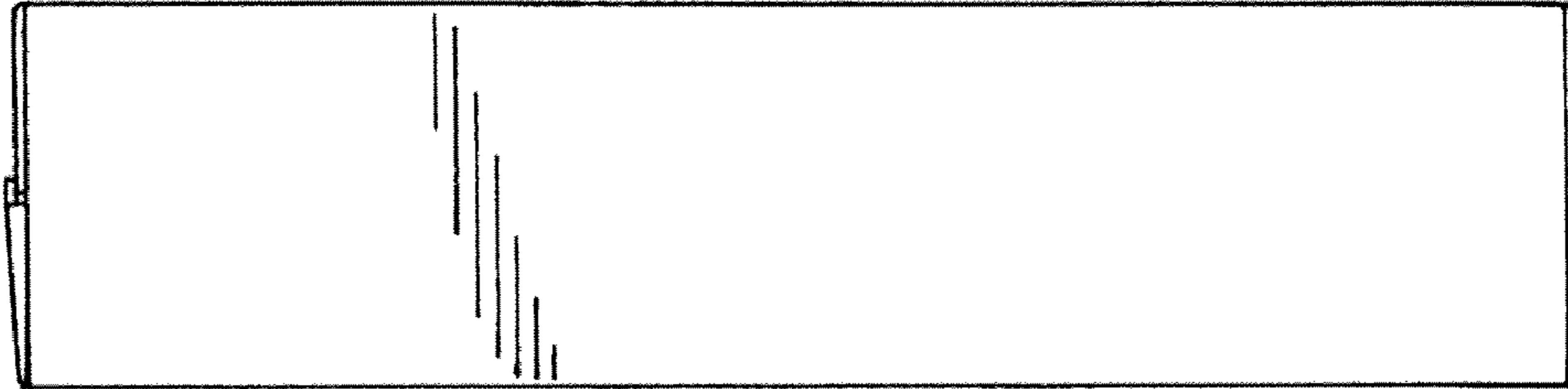


FIG. 3

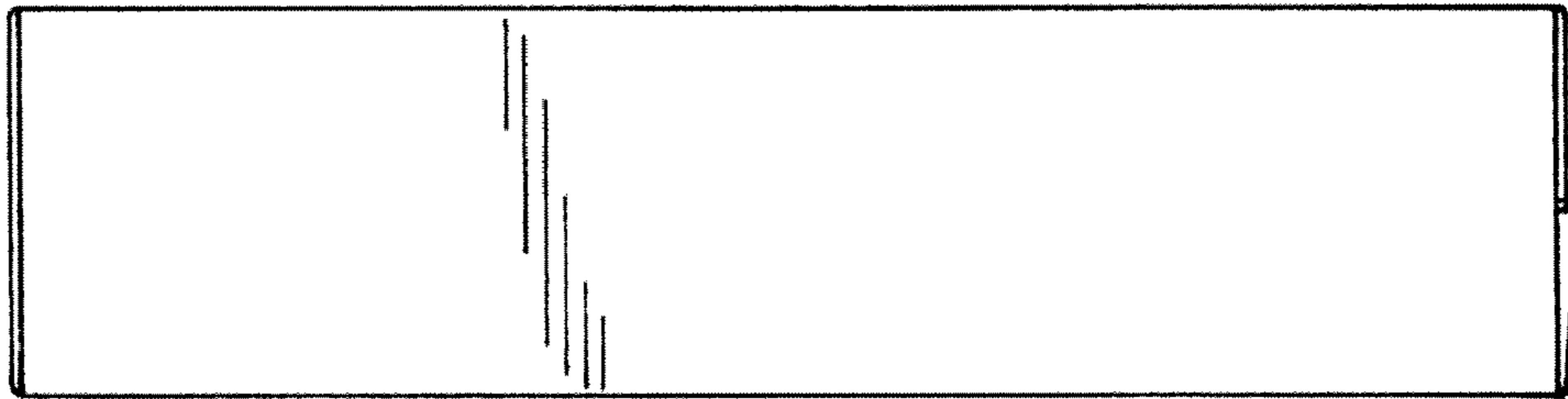


FIG. 4

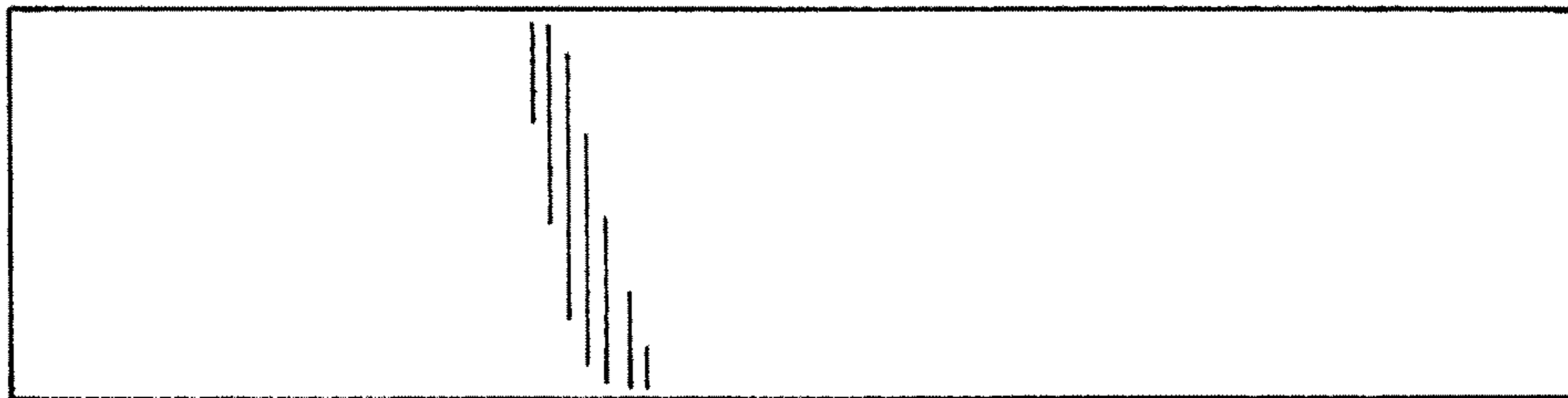


FIG. 5

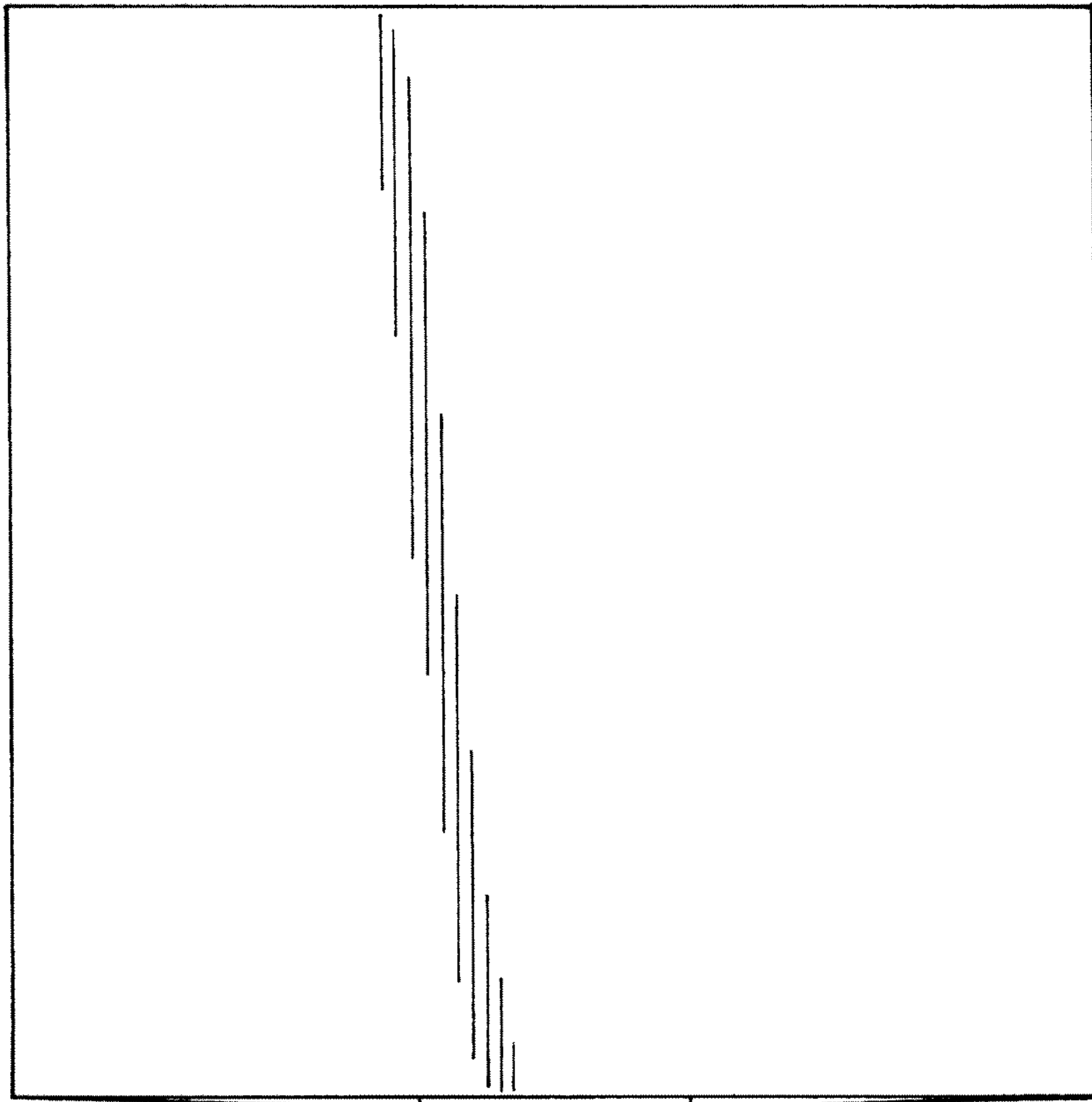


FIG. 6

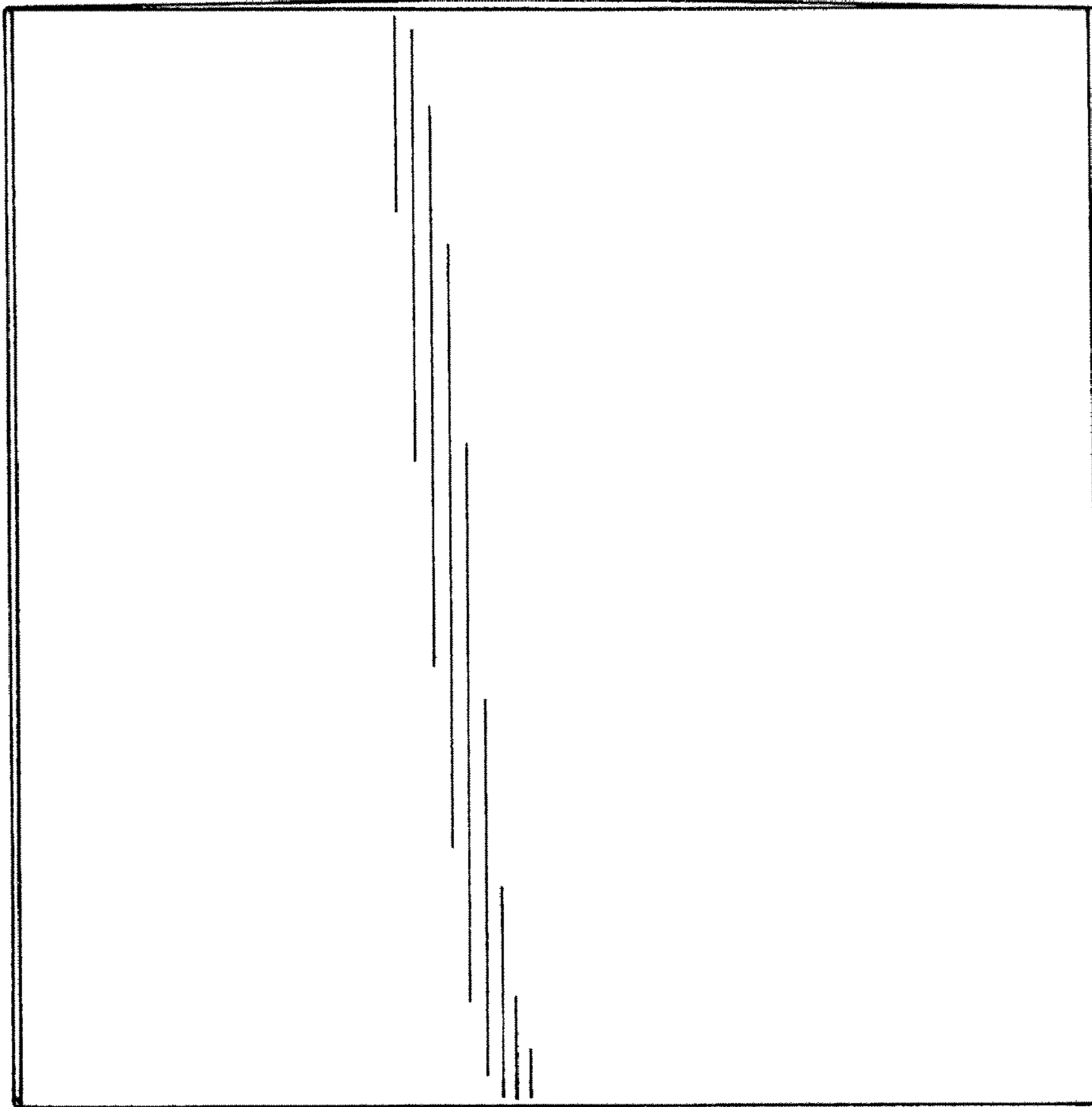


FIG. 7

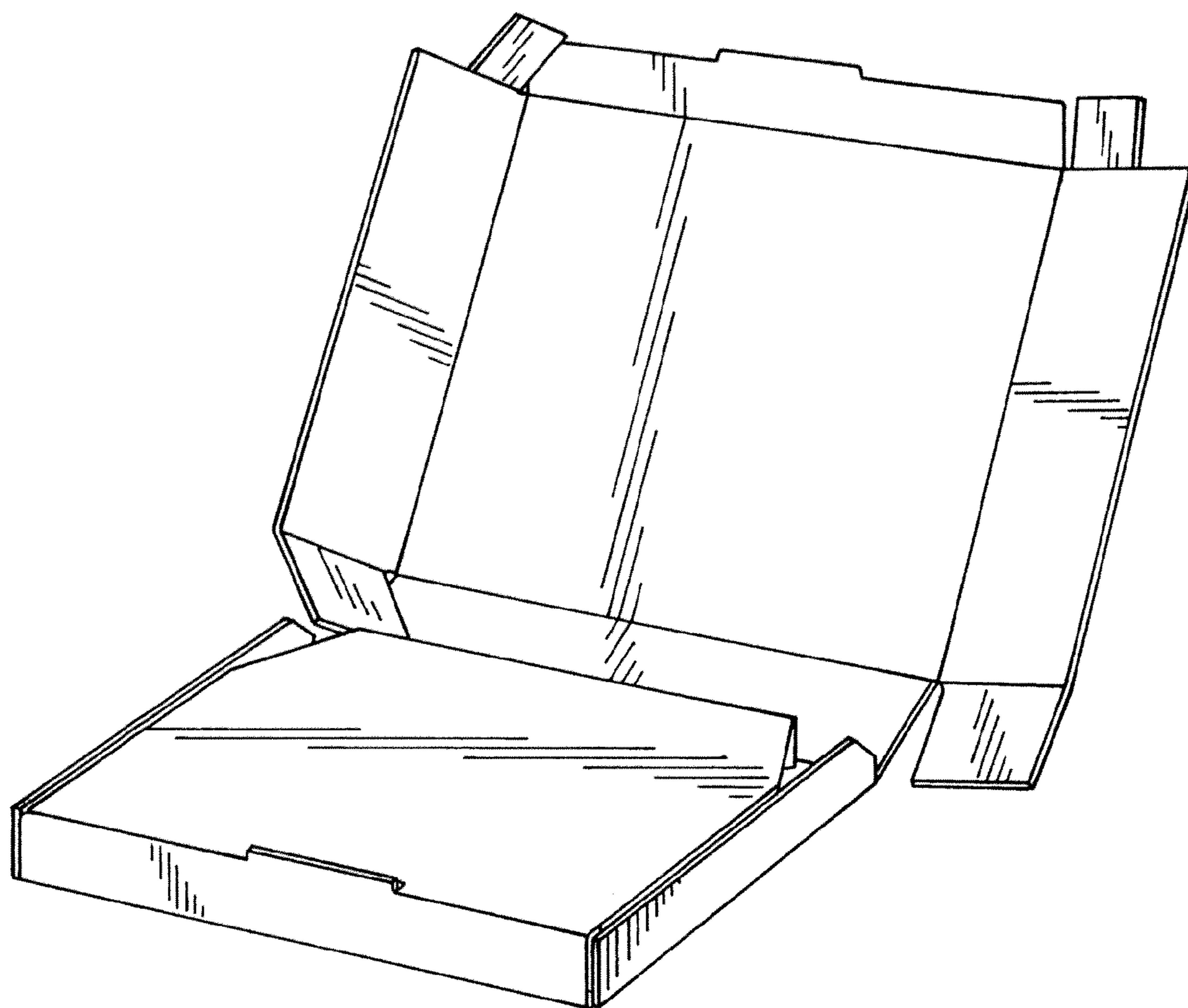


FIG. 8

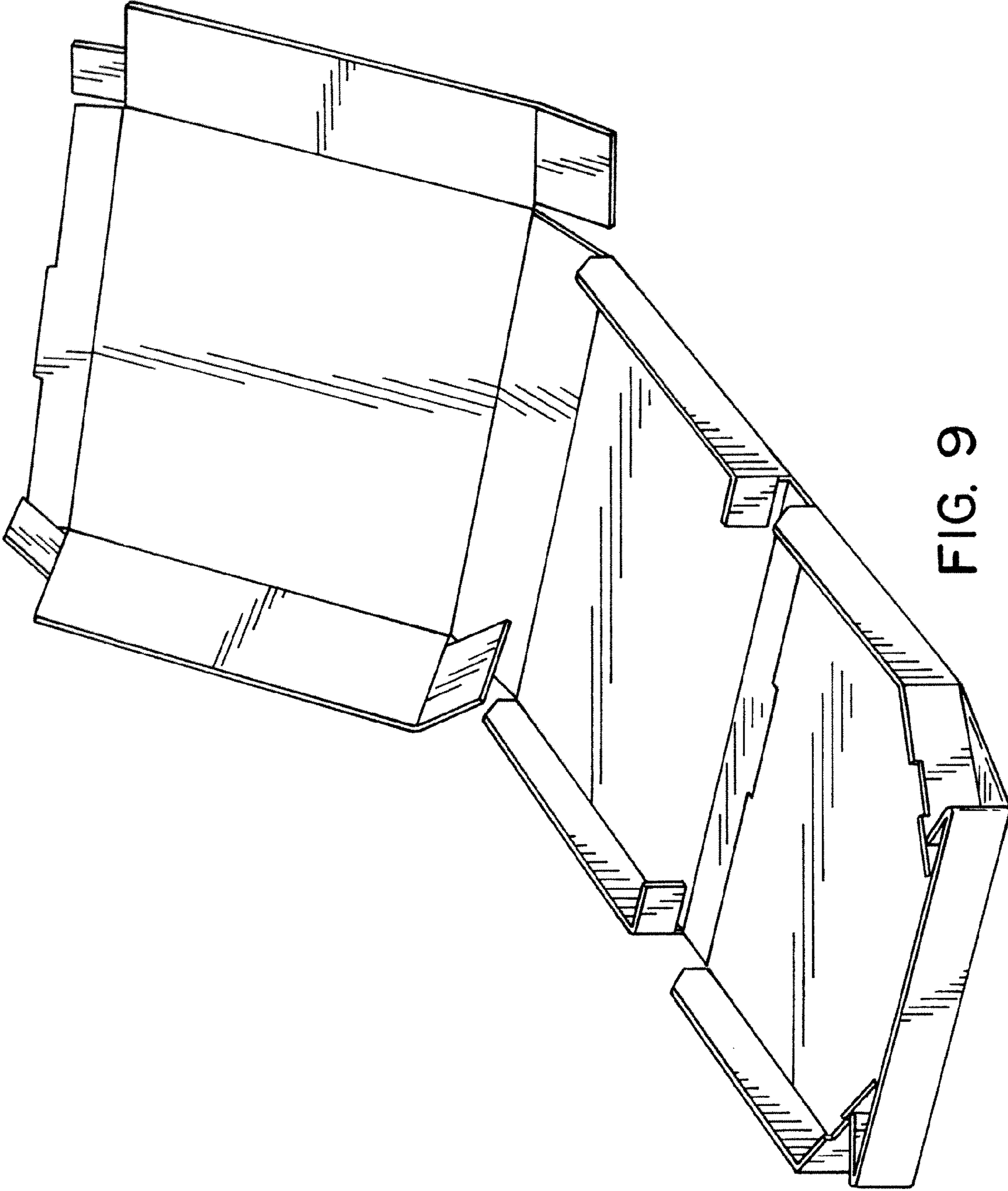


FIG. 9

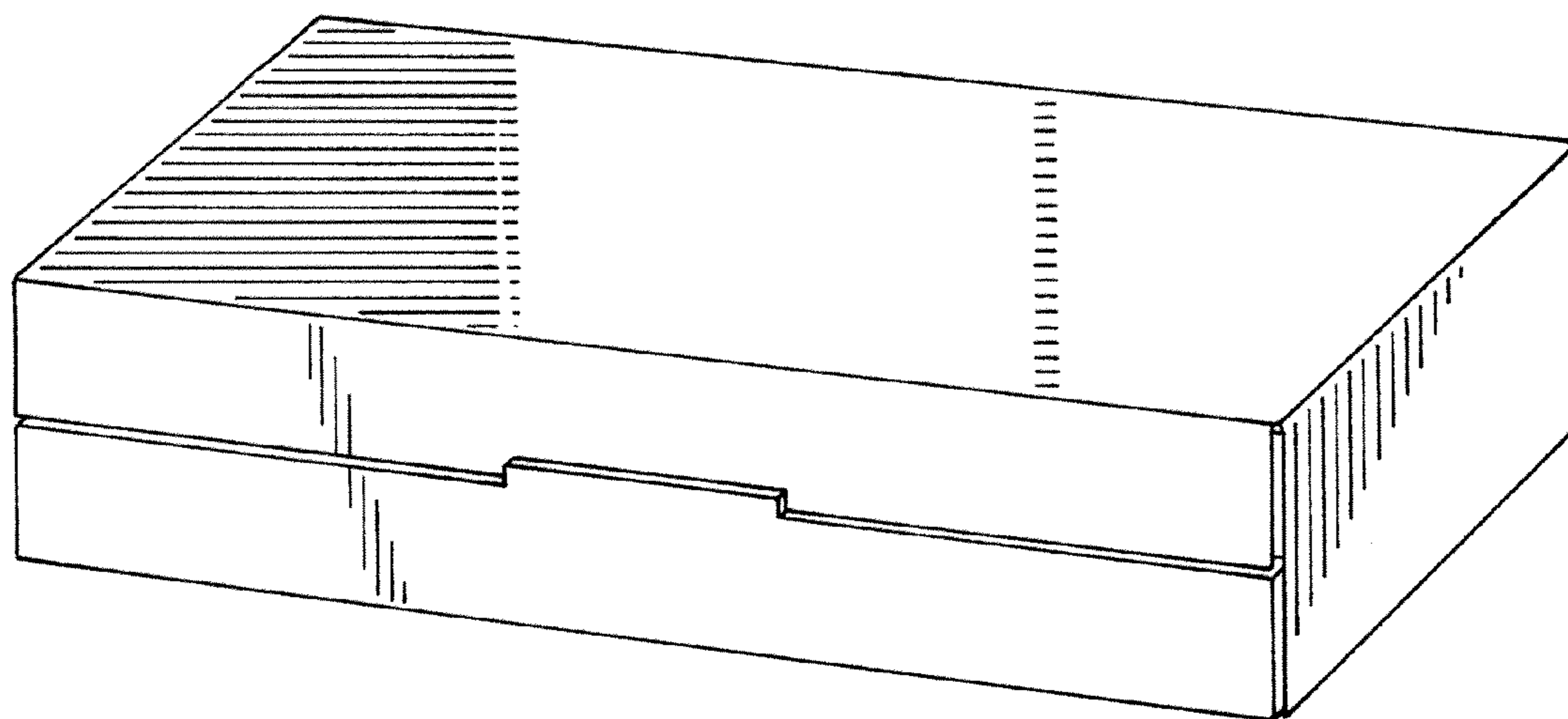


FIG. 10

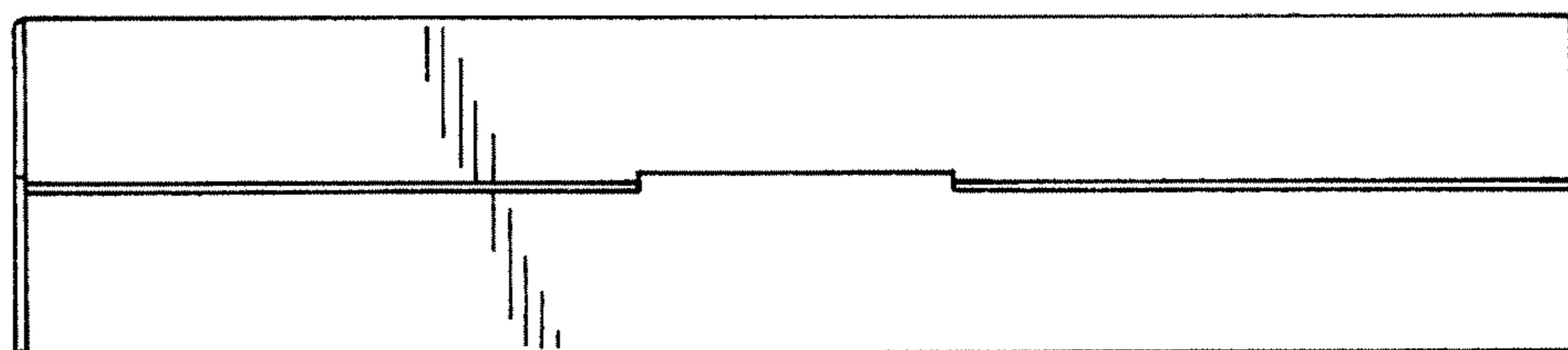


FIG. II



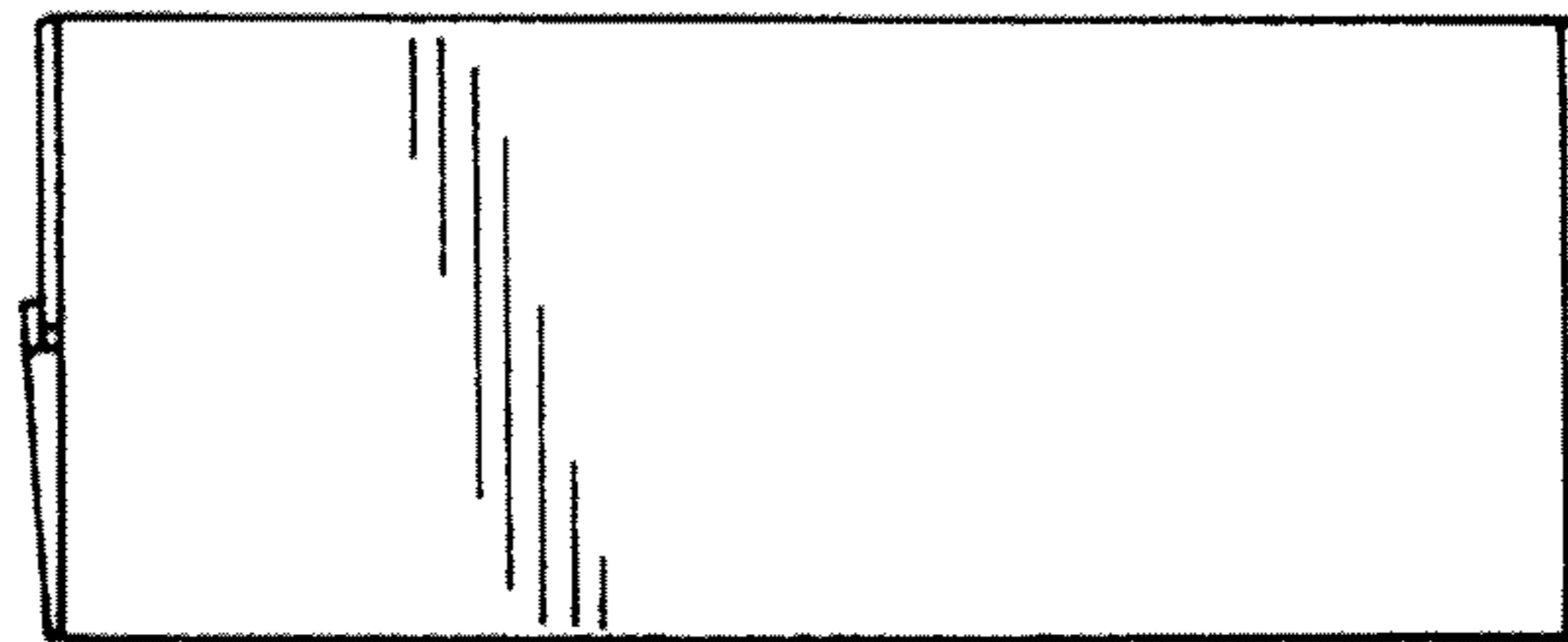


FIG. 12

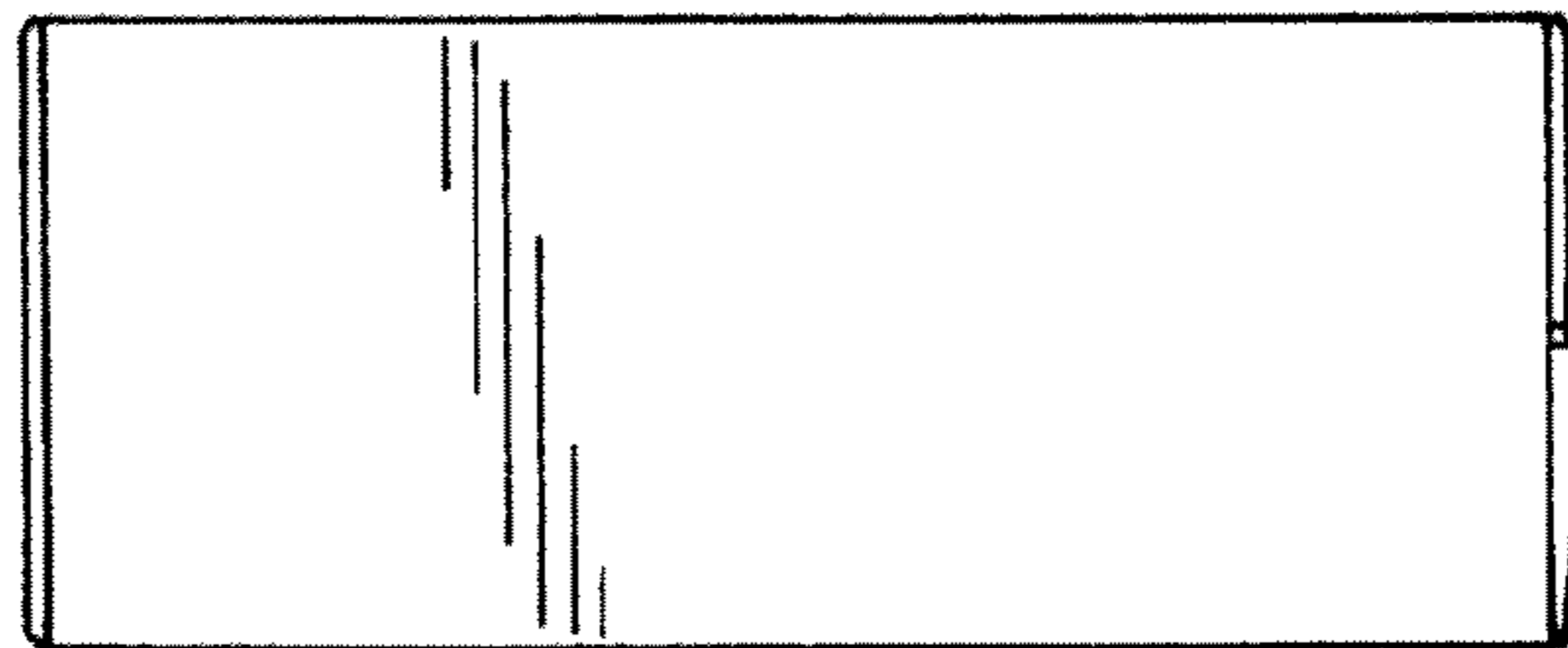


FIG. 13

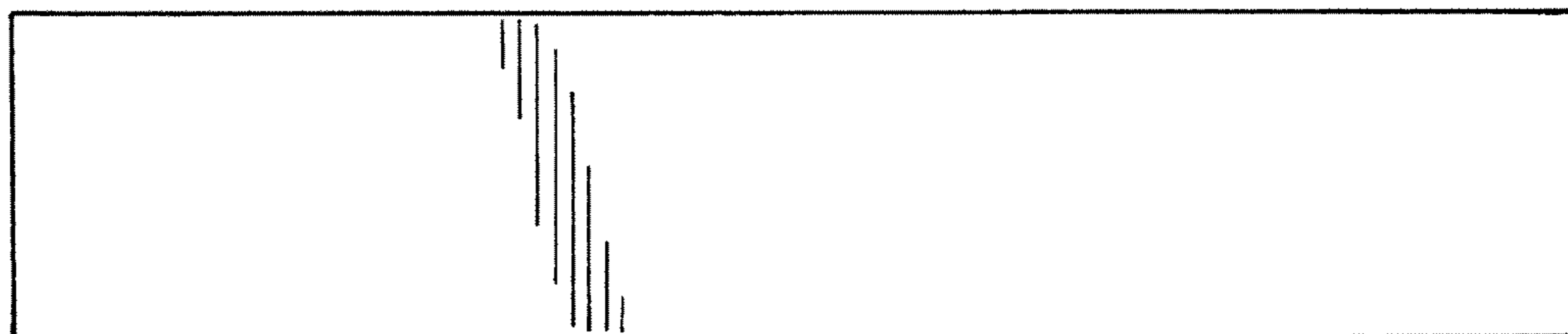


FIG. 14

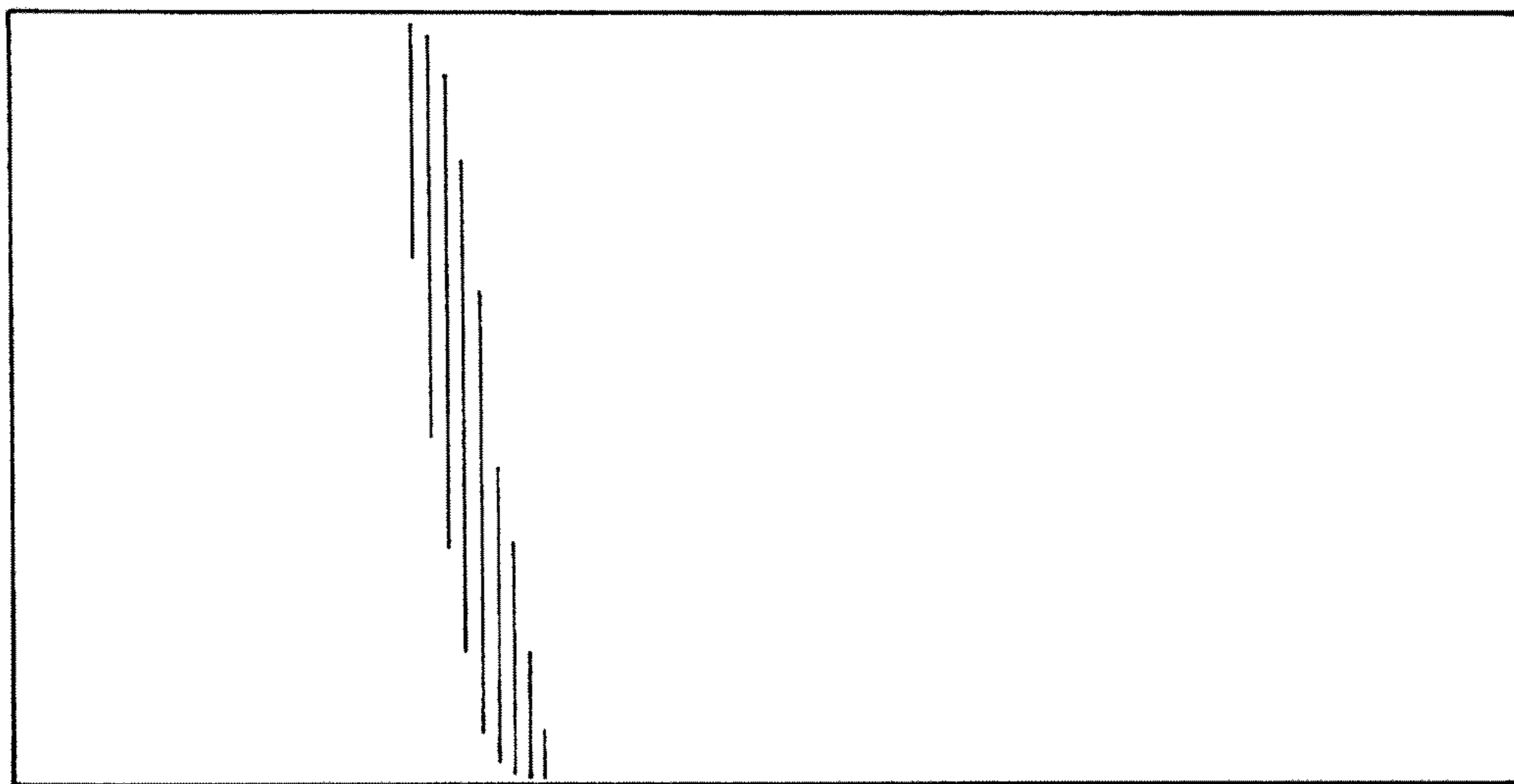


FIG. 15

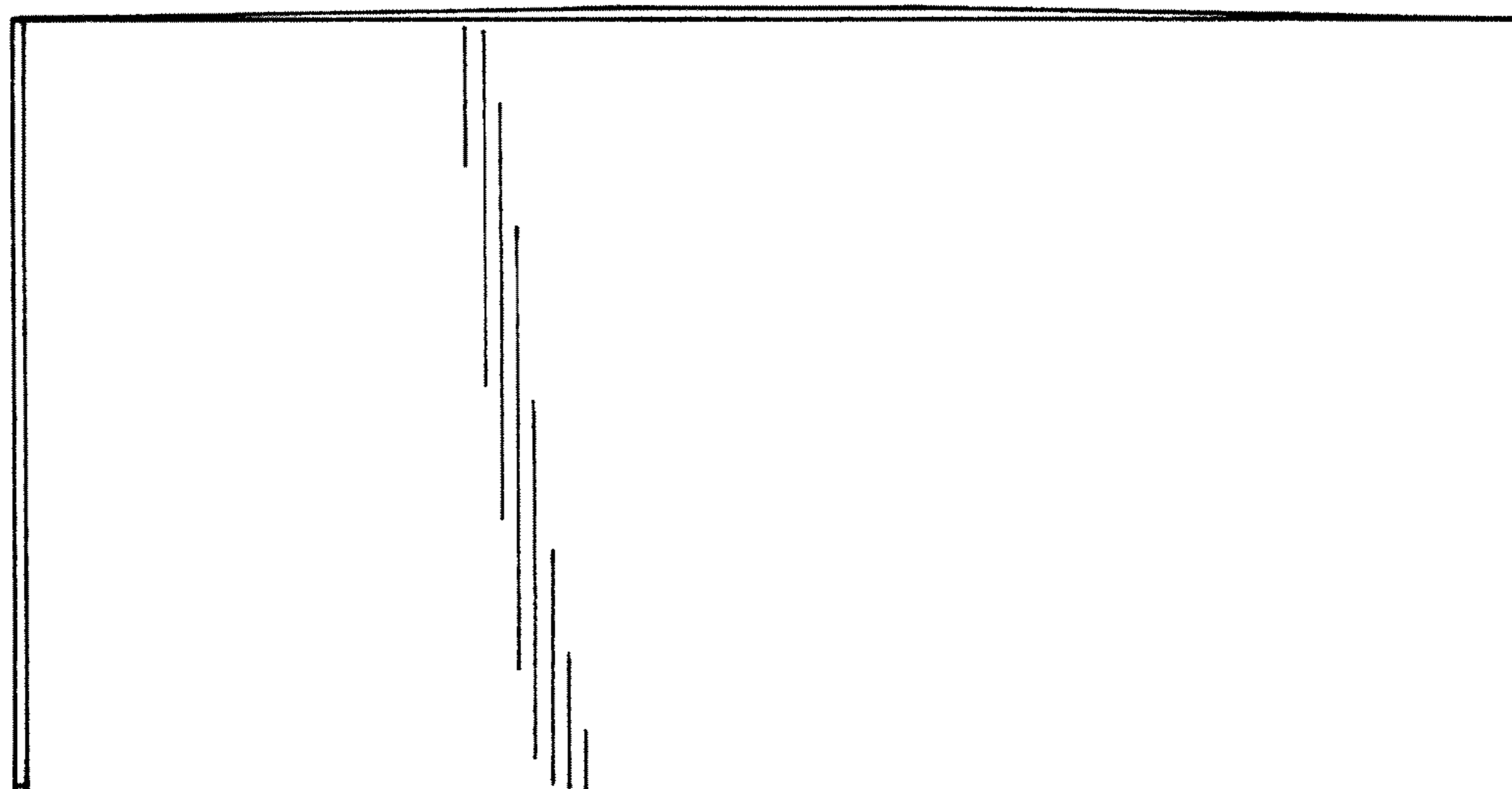


FIG. 16

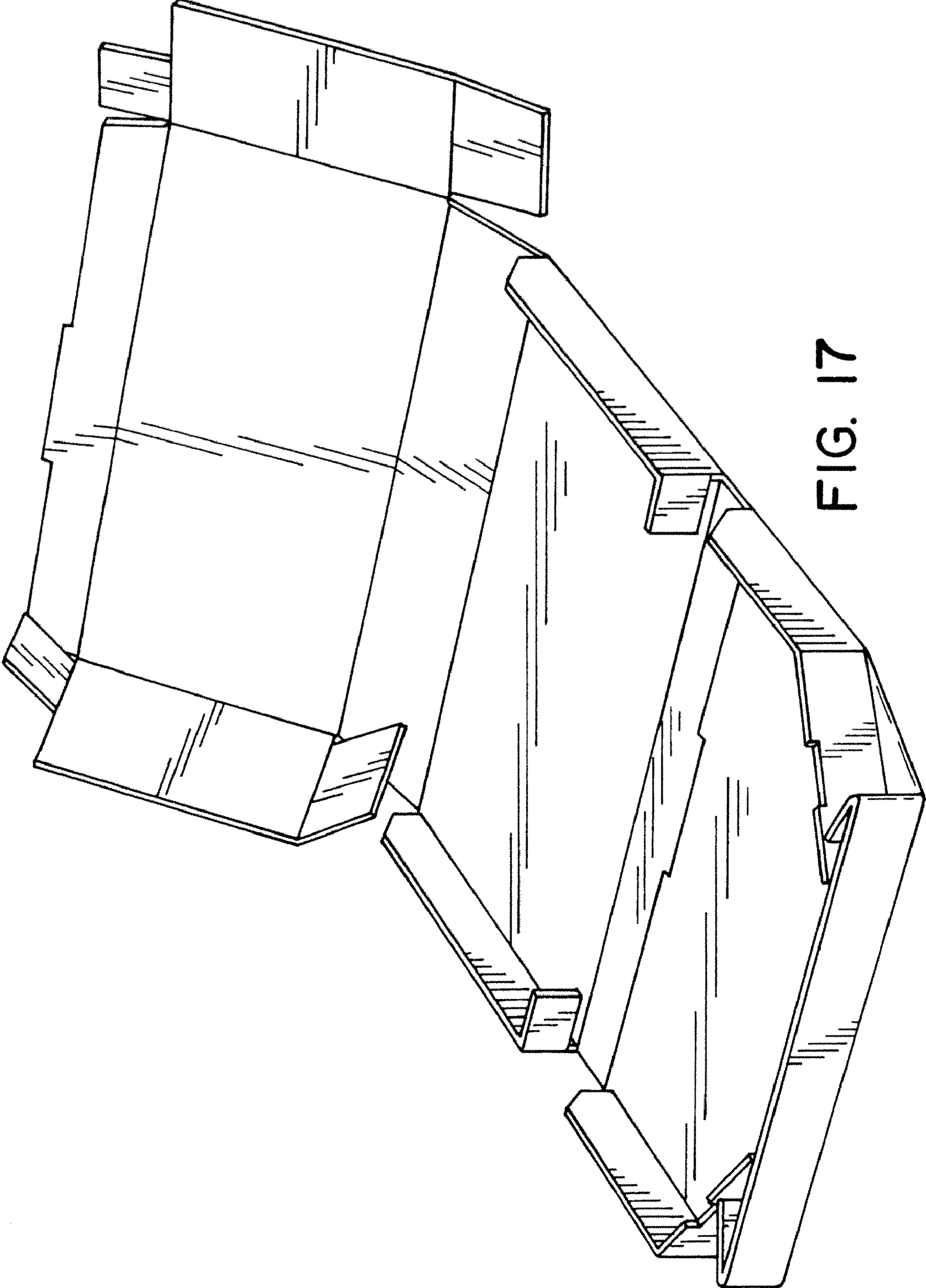


FIG. 17