



US00D649039S

(12) **United States Design Patent**
Golota et al.

(10) **Patent No.:** **US D649,039 S**

(45) **Date of Patent:** **** Nov. 22, 2011**

(54) **CONTAINER**

Primary Examiner — Thomas Johannes

(75) Inventors: **George A. Golota**, Glenview, IL (US);
James J. Sanfilippo, Barrington, IL
(US); **Roman Forowycz**, Lake Forest, IL
(US)

(57) **CLAIM**

The ornamental design for a container, as shown and described.

(73) Assignee: **Clear Lam Packaging, Inc**, Elk Grove
Village, IL (US)

DESCRIPTION

(**) Term: **14 Years**

FIG. 1 is a top perspective view of a container showing our new design;

(21) Appl. No.: **29/385,066**

FIG. 2 is a bottom perspective view thereof;

(22) Filed: **Feb. 8, 2011**

FIG. 3 is a side elevation view thereof;

(51) **LOC (9) Cl.** **09-03**

FIG. 4 is a side elevation view thereof;

(52) **U.S. Cl.** **D9/429**

FIG. 5 is a top plan view thereof;

(58) **Field of Classification Search** D9/414,
D9/418, 424, 425, 428, 429, 431; D7/619,
D7/629; 229/400-406, 932, 906.1; 220/656-659,
220/669-675, 912, 4.21-4.27; 206/553,
206/557, 541, 775, 776

FIG. 6 is a bottom plan view thereof;

See application file for complete search history.

FIG. 7 is a top perspective view thereof in a usage condition with an unclaimed lid;

FIG. 8 is a top perspective view thereof in a usage condition with an unclaimed foil lid;

(56) **References Cited**

U.S. PATENT DOCUMENTS

D267,929 S *	2/1983	Torterotot	D7/612
D338,636 S *	8/1993	Moore	D11/152
D351,790 S *	10/1994	Haindl	D9/425
D390,460 S *	2/1998	Schmidt	D9/428
D447,053 S *	8/2001	Chagnon et al.	D9/428
D452,150 S *	12/2001	Viner	D9/428
6,371,324 B1 *	4/2002	Torniainen et al.	220/212
6,604,646 B2 *	8/2003	Torniainen et al.	220/212
D606,363 S *	12/2009	Aardenburg	D7/400
7,823,743 B2 *	11/2010	McKahan et al.	220/521

FIG. 9 is a top perspective view thereof in a usage condition with an unclaimed lid with pull tab;

FIG. 10 is a top perspective view thereof in a usage condition with an unclaimed label applied to the side;

FIG. 11 is a top perspective view thereof in a usage condition with a larger unclaimed label applied to the side;

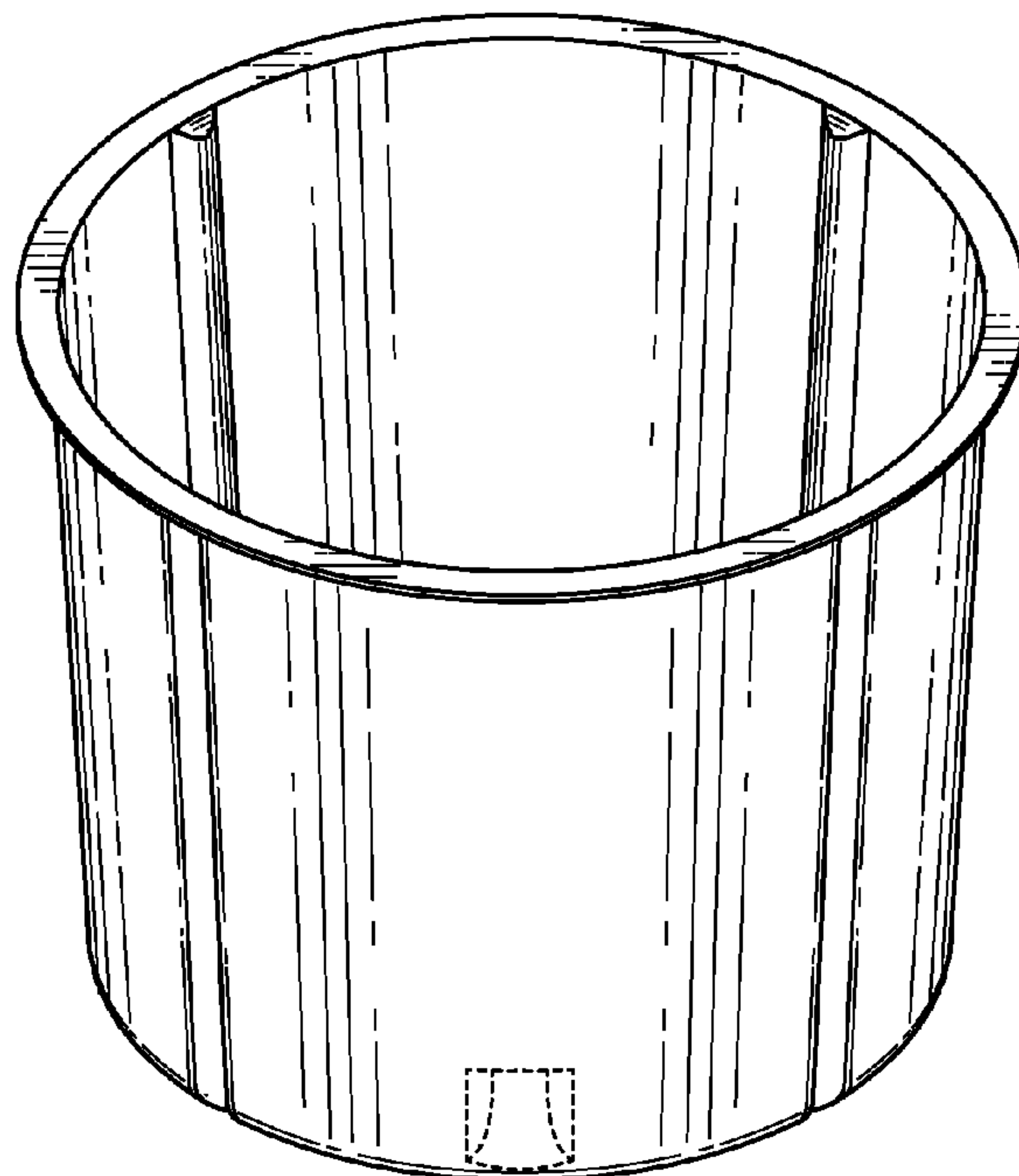
FIG. 12 is a bottom perspective view thereof in a usage condition with an unclaimed base portion; and,

FIG. 13 is a bottom perspective view thereof in a usage condition with another unclaimed base portion.

The broken line portion of the figure drawings is included to show unclaimed subject matter only and forms no part of the claimed design.

* cited by examiner

1 Claim, 8 Drawing Sheets



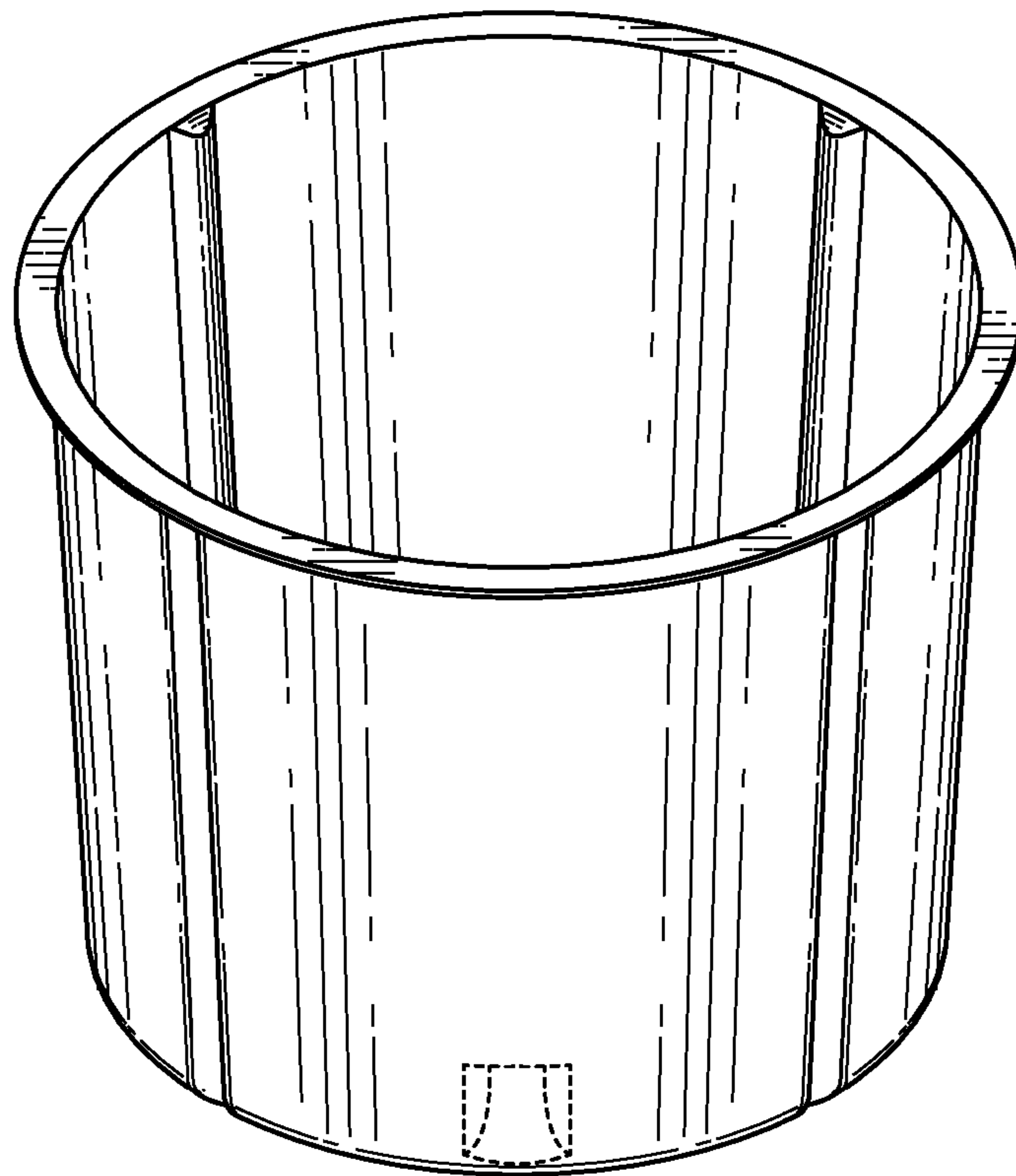


FIG. 1

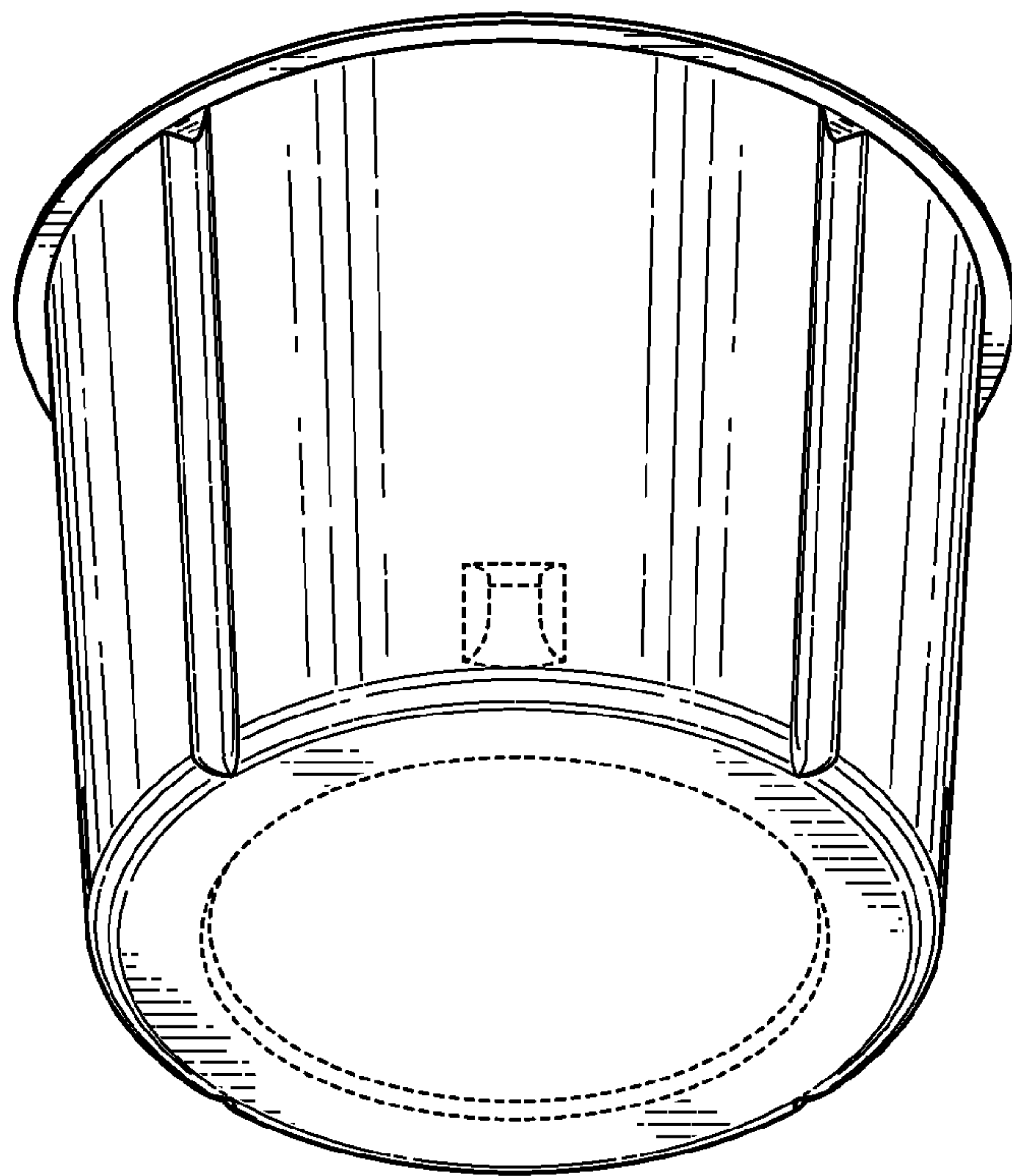


FIG. 2

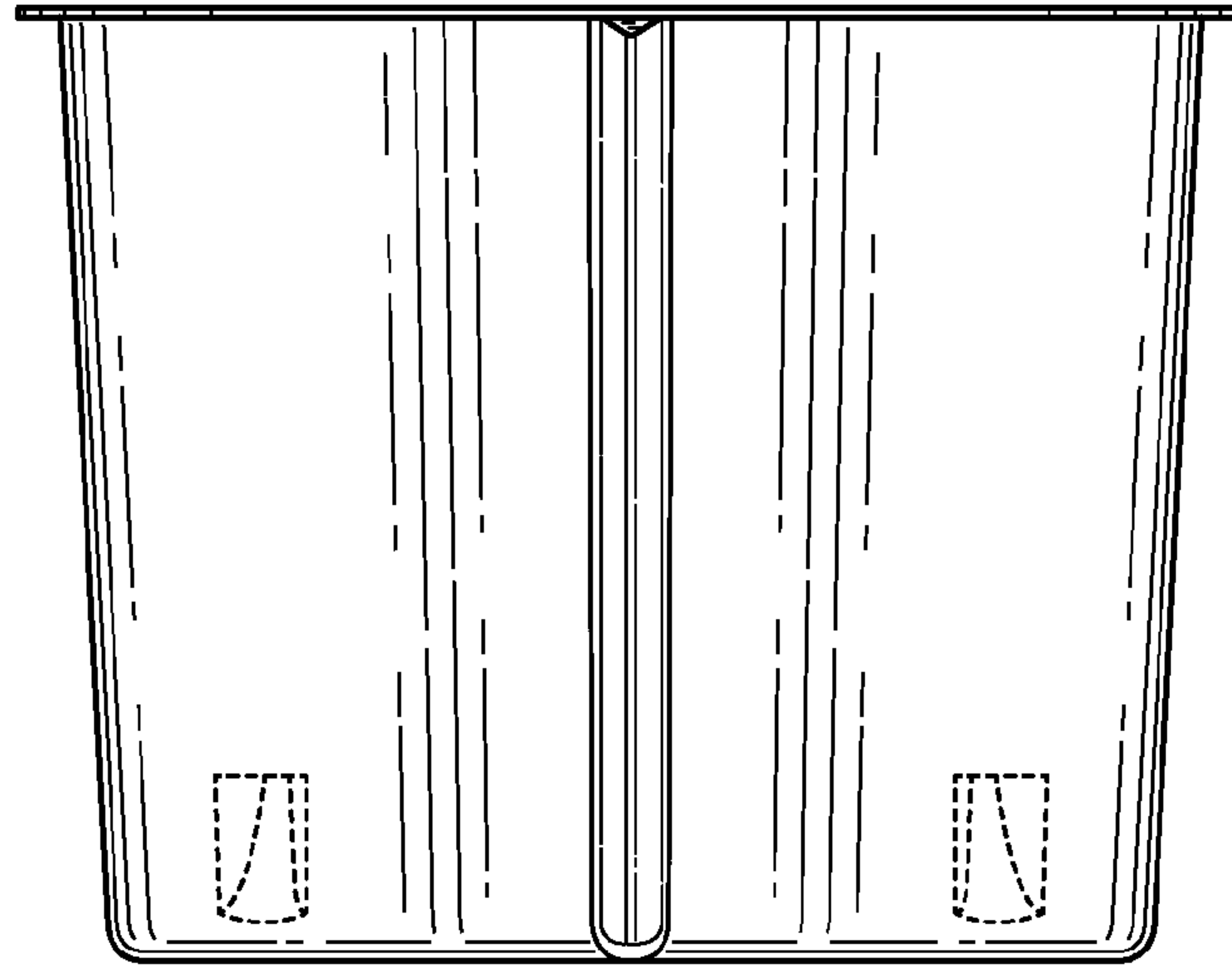


FIG. 3

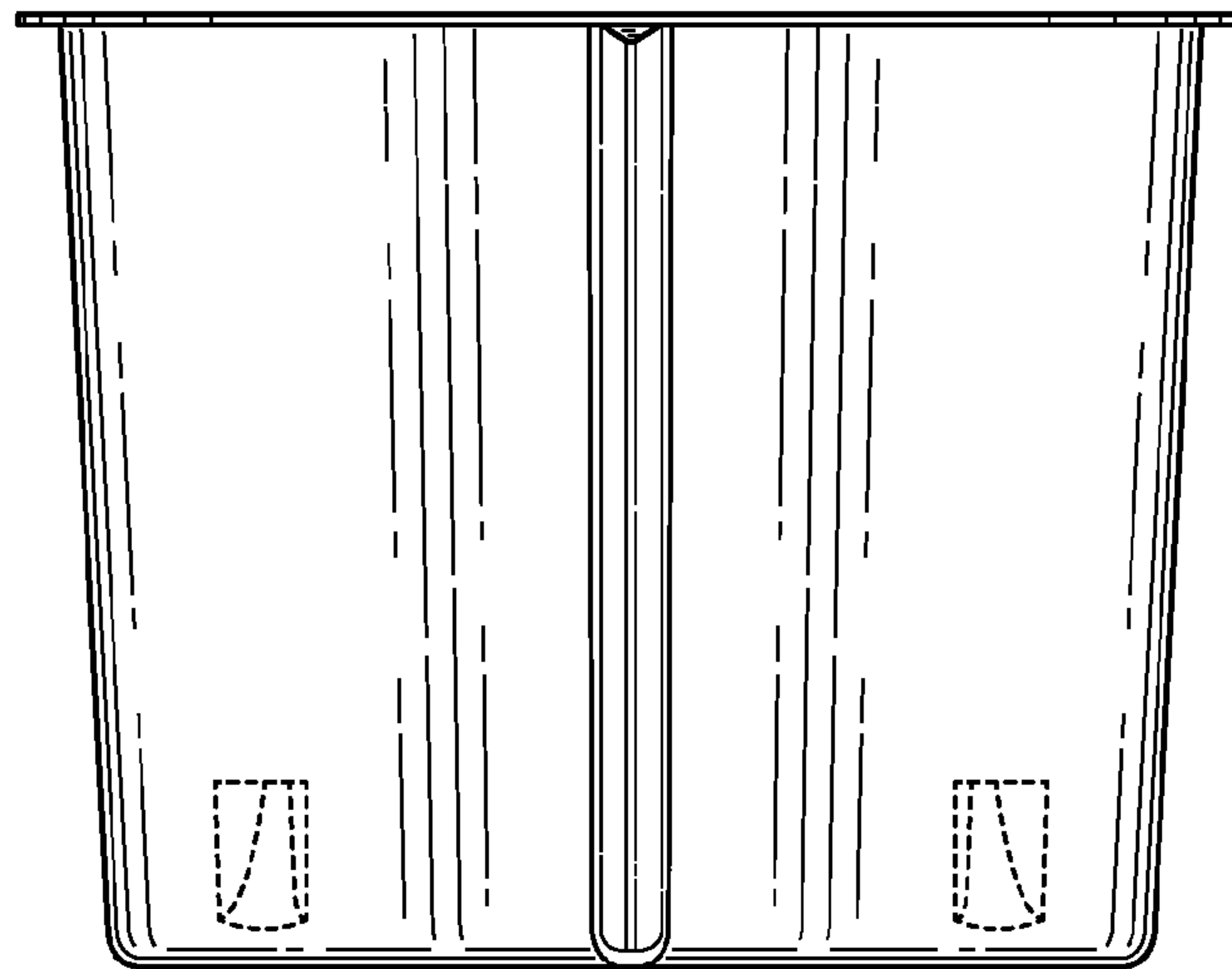


FIG. 4

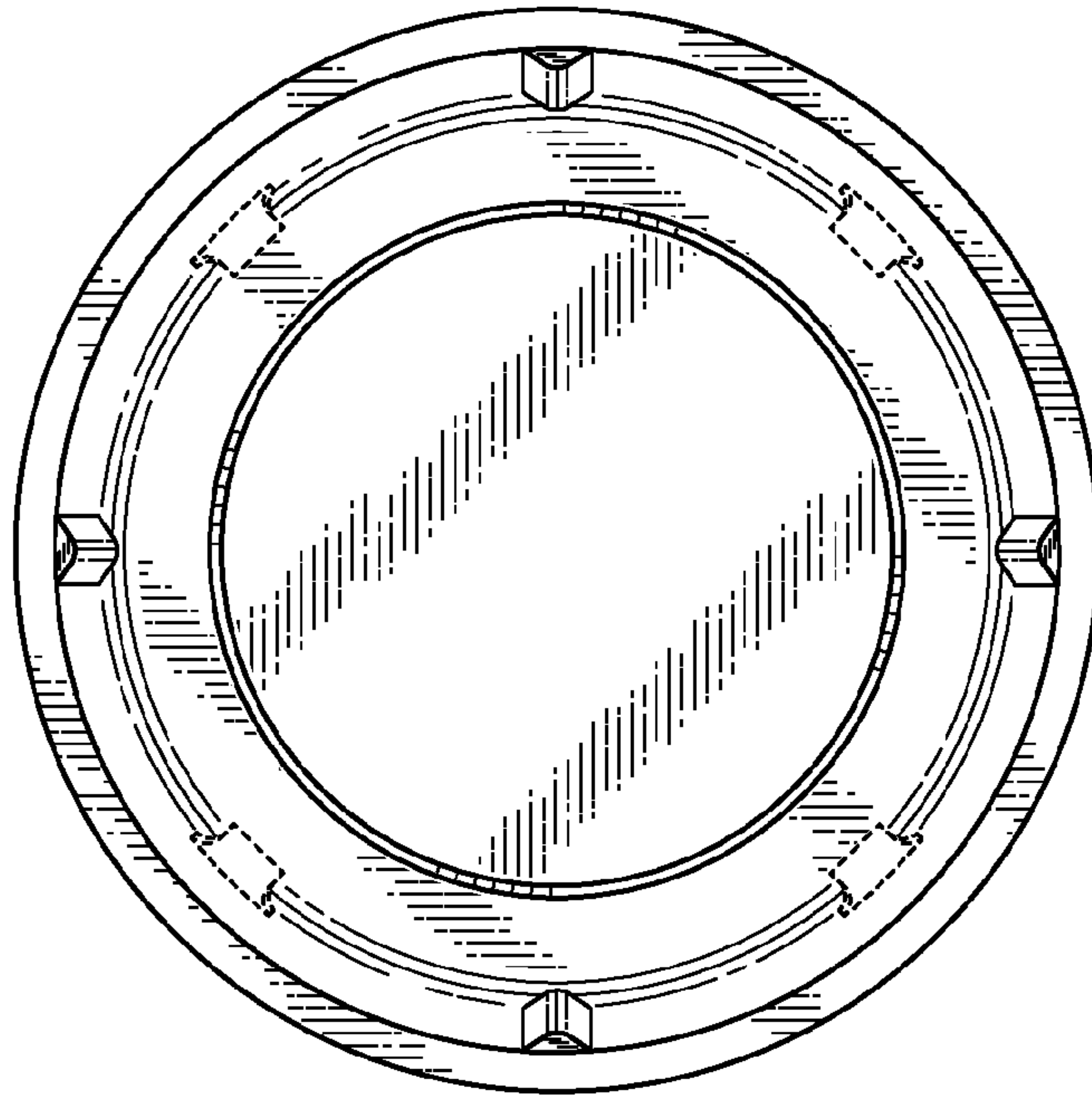


FIG. 5

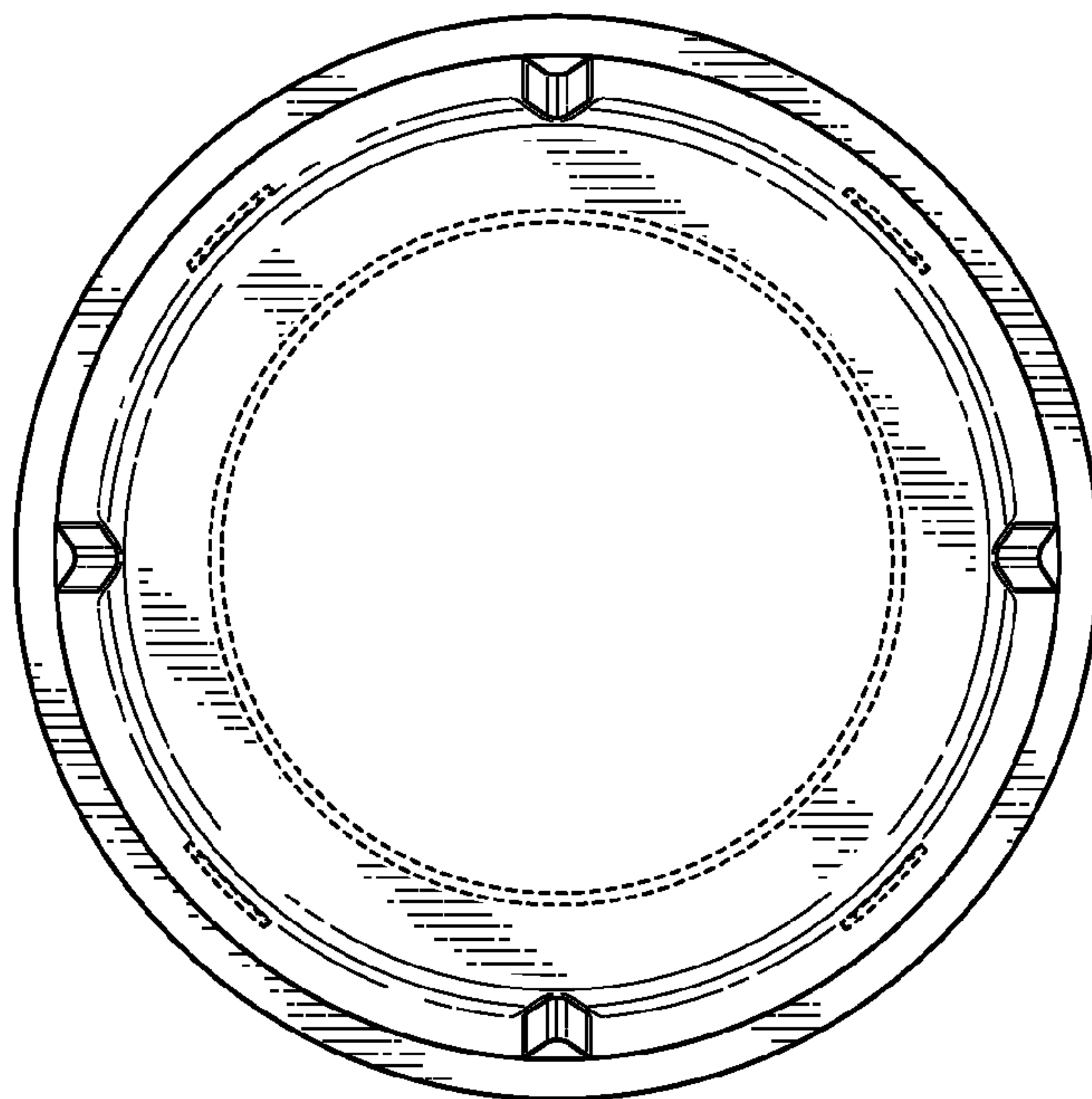


FIG. 6

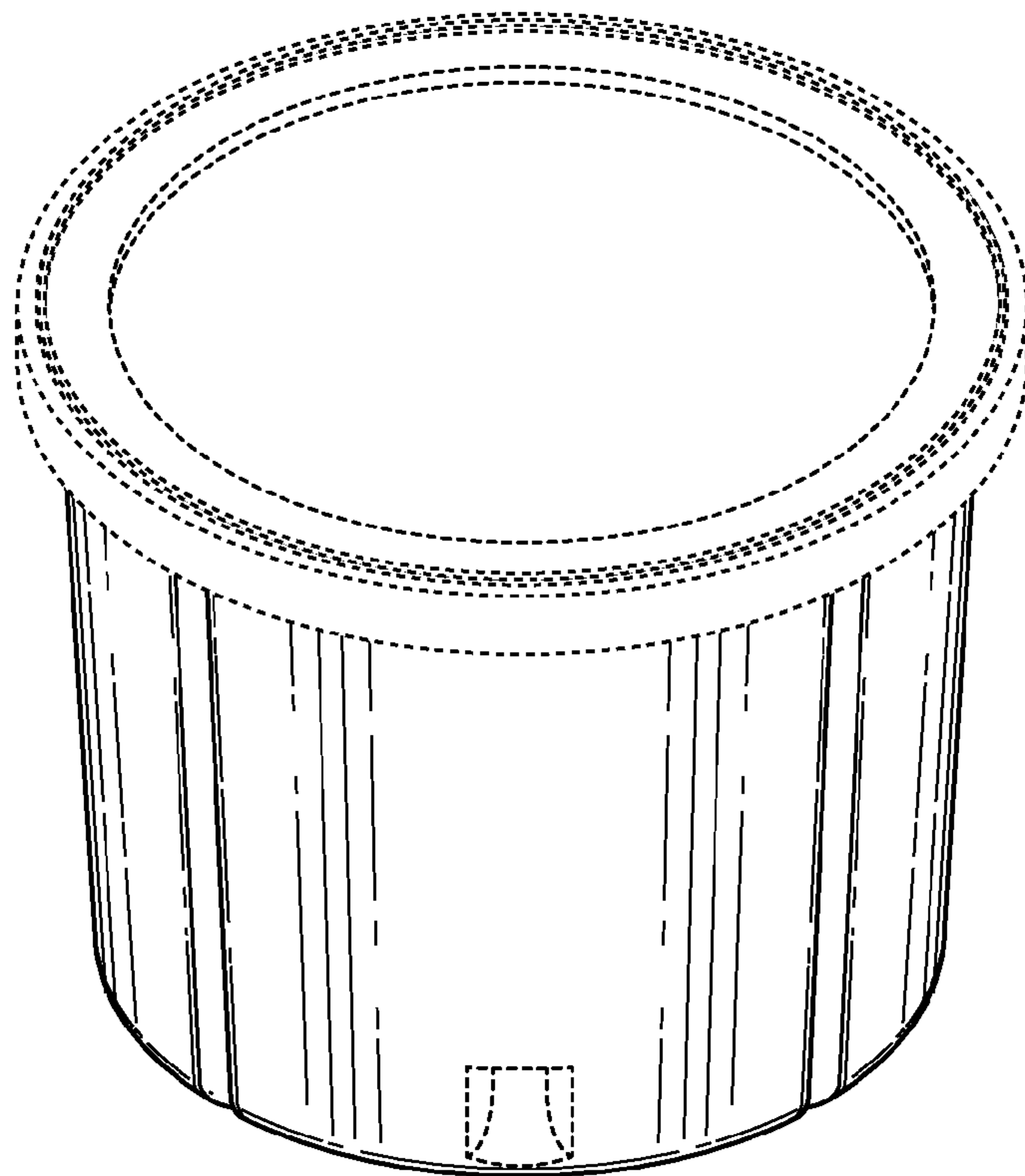


FIG. 7

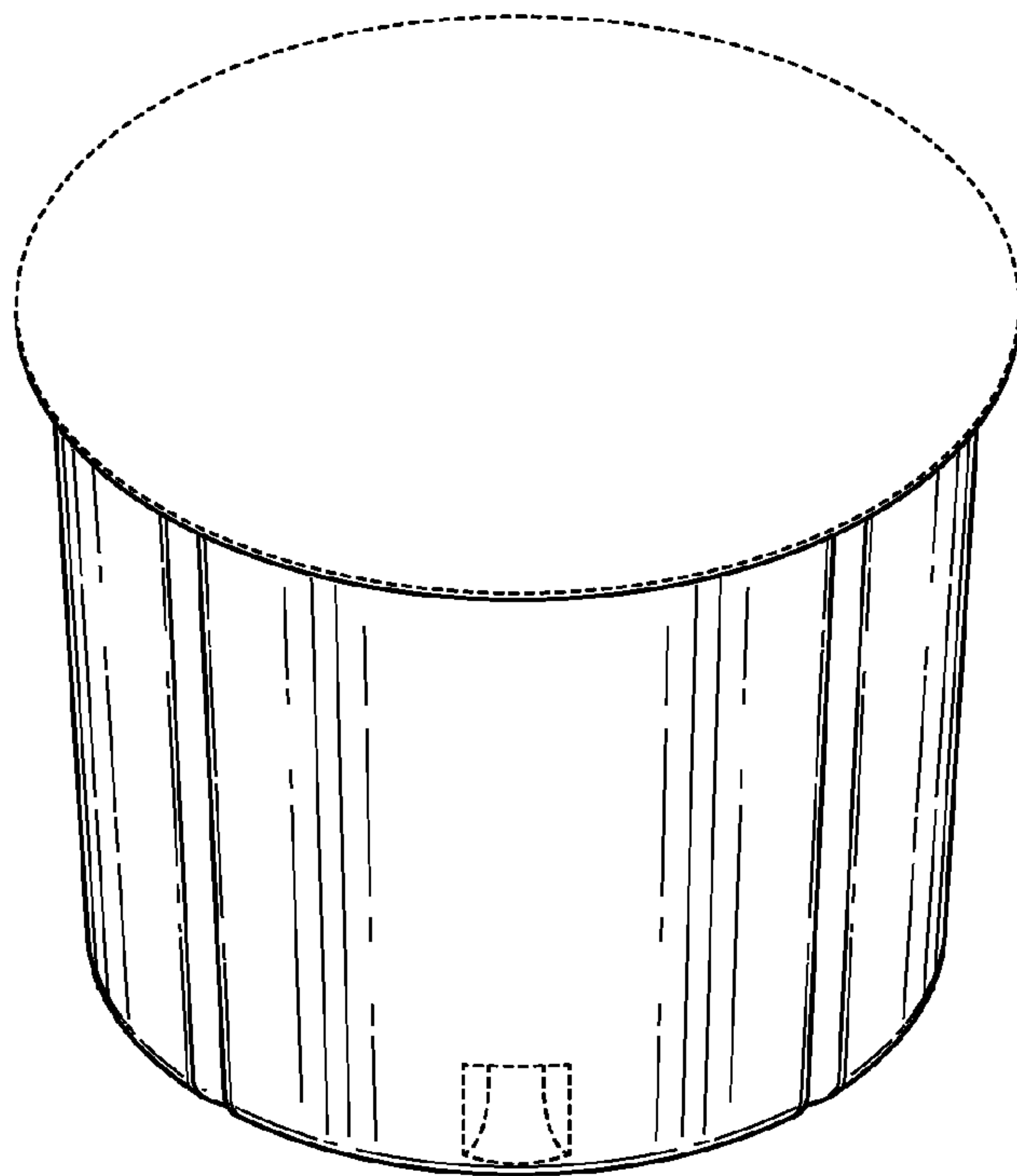


FIG. 8

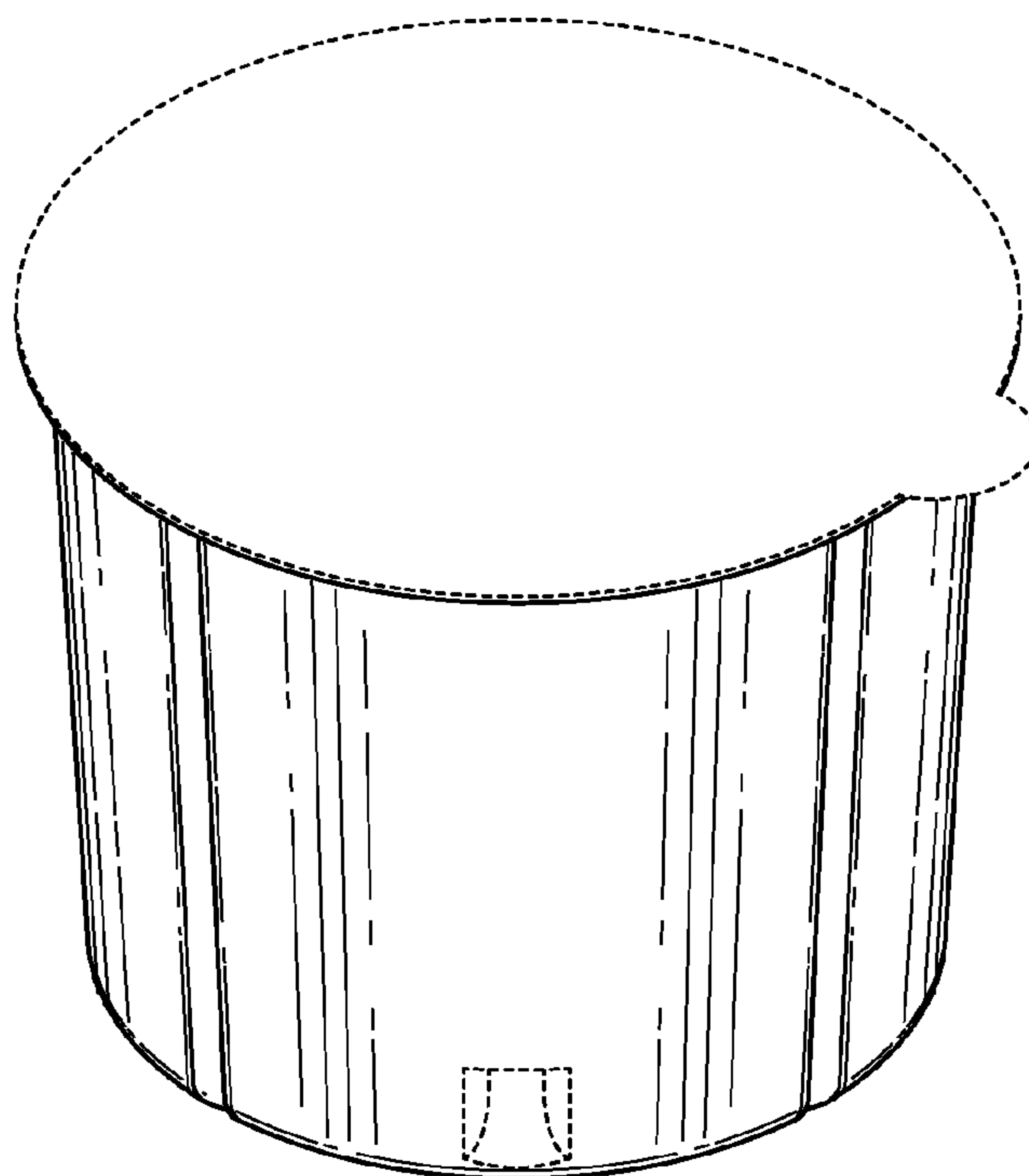


FIG. 9

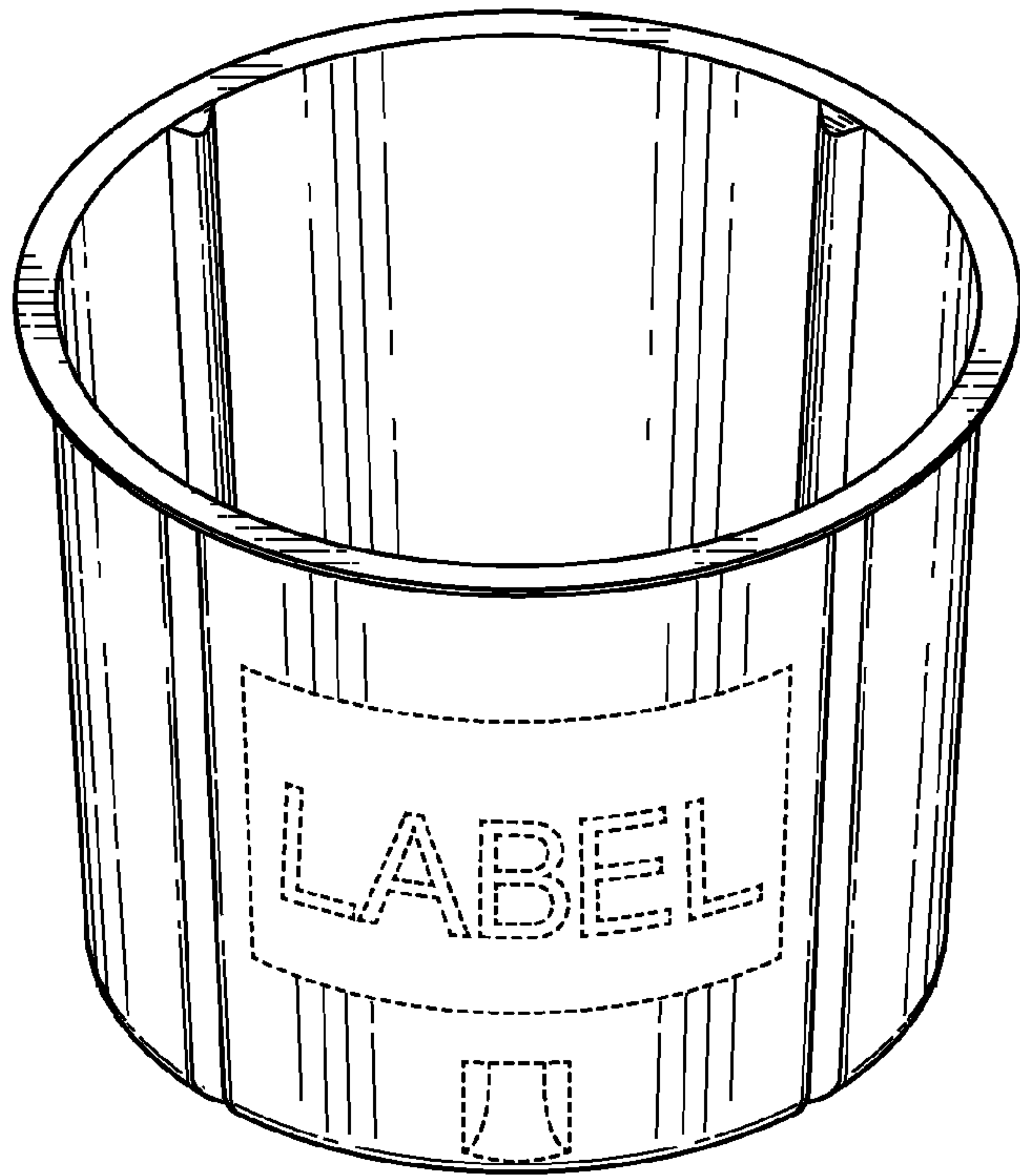


FIG. 10

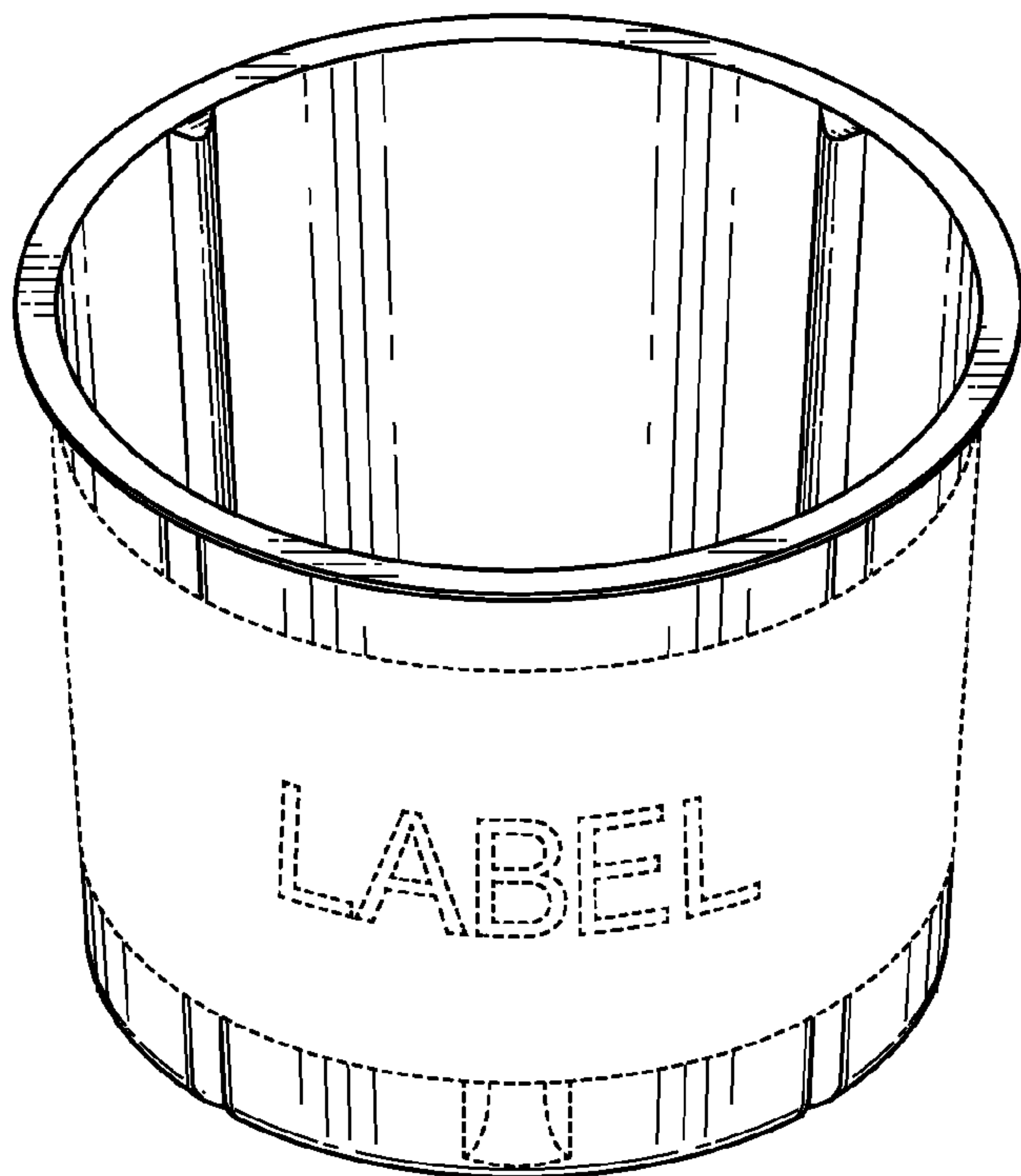


FIG. 11

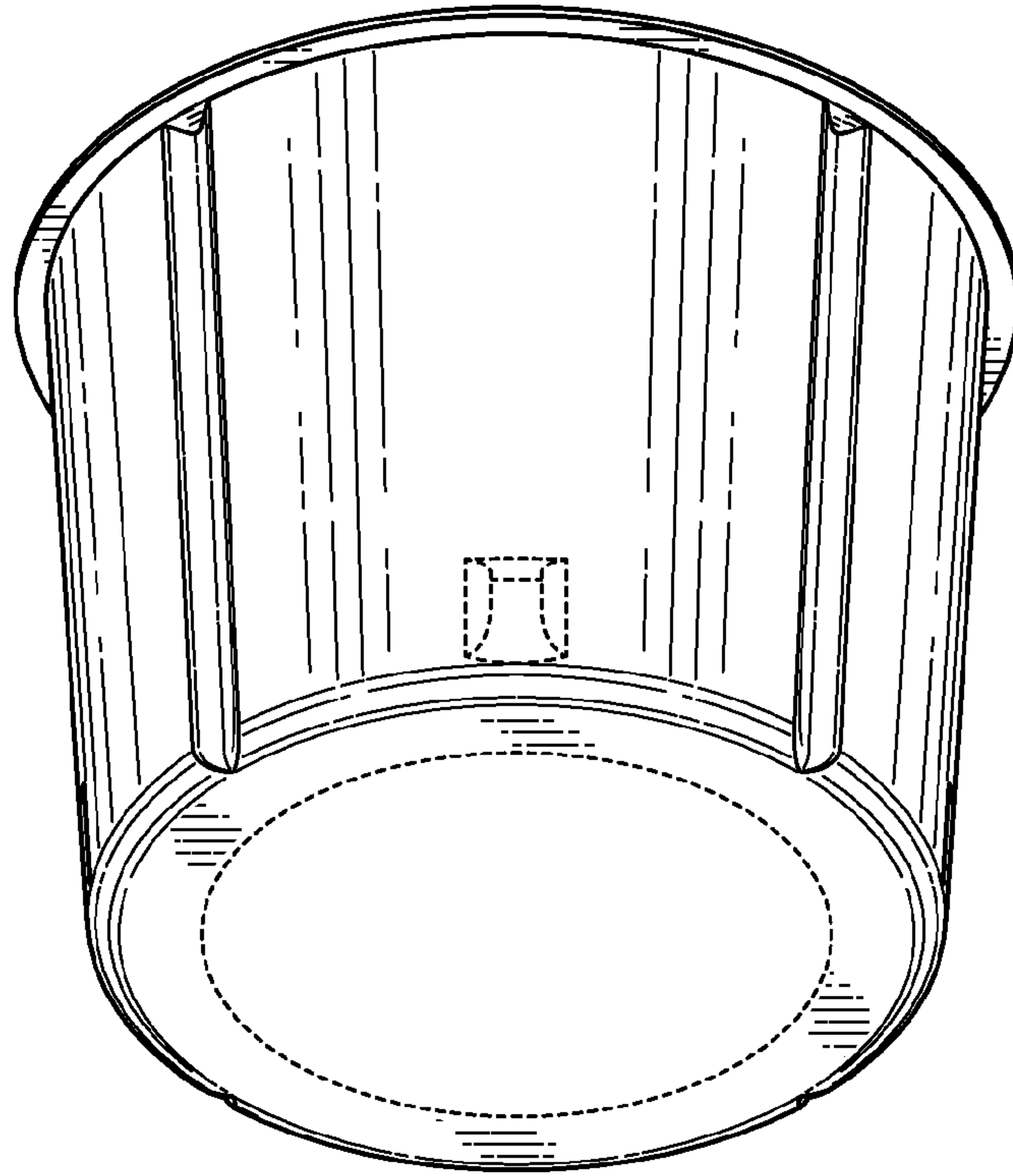


FIG. 12

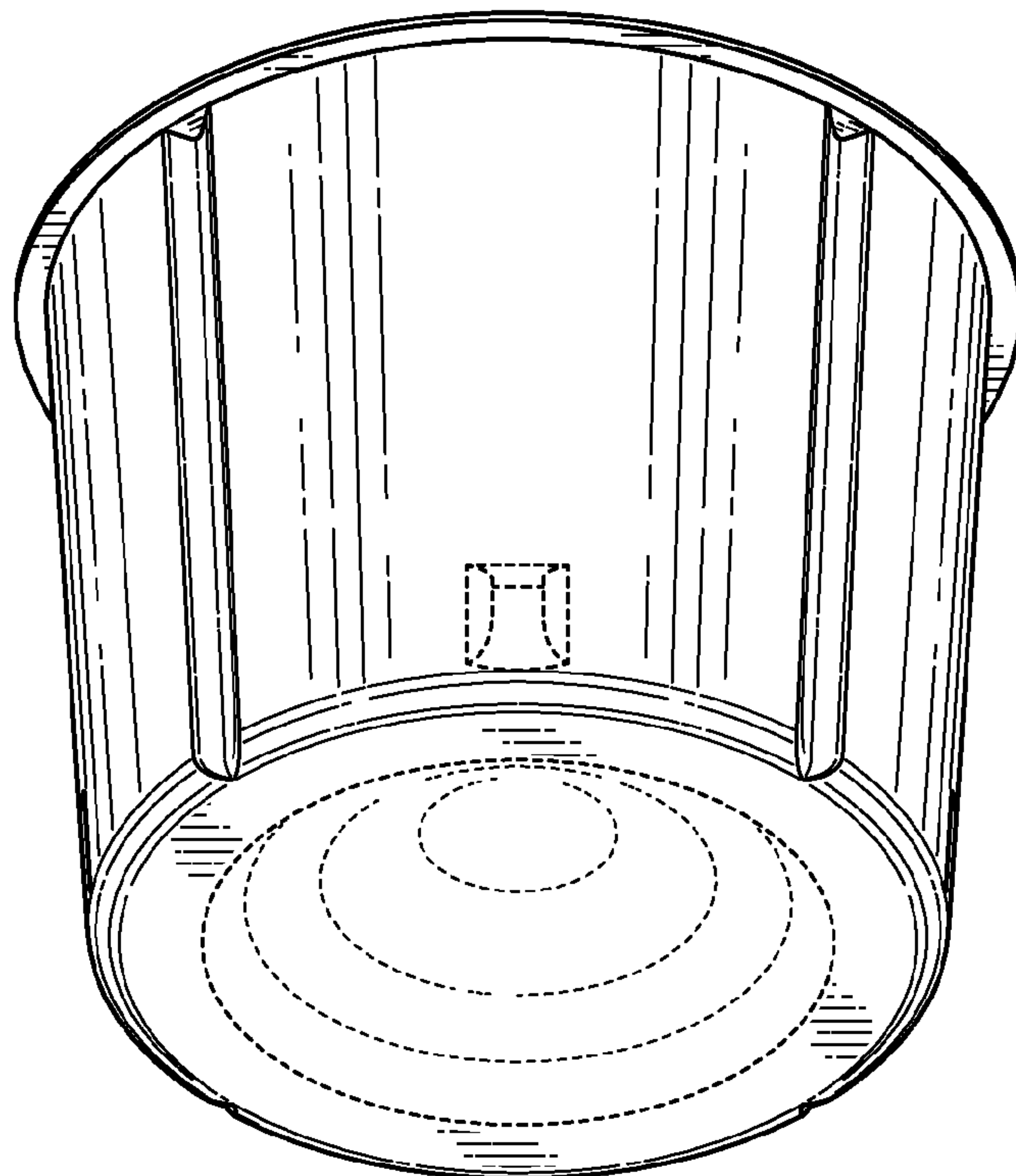


FIG. 13