



US00D649037S

(12) **United States Design Patent**
Cimmerer et al.

(10) **Patent No.:** **US D649,037 S**

(45) **Date of Patent:** **** Nov. 22, 2011**

(54) **SIDE DISH CONTAINER COMPRISING A LID AND A BASE**

(75) Inventors: **Timothy Lee Cimmerer**, Paragould, AR (US); **Satya Garg**, St. Louis, MO (US); **Mike Pohlman**, Valley Park, MO (US); **Brent Riales**, Paragould, AR (US)

(73) Assignee: **Anchor Packaging, Inc.**, Saint Louis, MO (US)

(**) Term: **14 Years**

(21) Appl. No.: **29/365,761**

(22) Filed: **Jul. 14, 2010**

(51) **LOC (9) Cl.** **09-03**

(52) **U.S. Cl.** **D9/429**

(58) **Field of Classification Search** D9/424,
D9/425, 428, 429, 431; D7/530, 531, 608;
229/400-406, 932, 906.1; 220/656-659,
220/669-675, 912, 4.21-4.27; 206/499,
206/508, 557

See application file for complete search history.

(56) **References Cited**

U.S. PATENT DOCUMENTS

3,045,887	A	7/1962	Caine	
3,194,468	A	7/1965	Baron	
D265,462	S	7/1982	Andrulionis et al.	
4,446,969	A	5/1984	Tyler	
D297,709	S *	9/1988	Willerup	D9/778
D324,324	S *	3/1992	Picozza	D7/565
6,217,918	B1 *	4/2001	Oh et al.	426/89
D454,304	S *	3/2002	Kim et al.	D9/429
D468,202	S *	1/2003	Chou	D9/429
D473,788	S *	4/2003	Chen et al.	D9/428
D546,626	S	7/2007	Chou	
D551,909	S *	10/2007	Eide et al.	D7/565
D574,703	S *	8/2008	Cassol et al.	D9/416
D597,793	S	8/2009	Krueger	
D603,222	S	11/2009	Krueger	
D638,290	S *	5/2011	Cimmerer et al.	D9/429

2006/0000882	A1 *	1/2006	Darzinskas	229/403
2007/0284426	A1 *	12/2007	Lo	229/403
2009/0020597	A1 *	1/2009	D'Amato	229/403
2010/0072268	A1 *	3/2010	Johnson et al.	229/403

OTHER PUBLICATIONS

- Co-pending U.S. Appl. No. 29/365,532, filed Jul. 9, 2010.
- Co-pending U.S. Appl. No. 29/365,543, filed Jul. 9, 2010.
- Co-pending U.S. Appl. No. 29/365,772, filed Jul. 14, 2010.
- Co-pending U.S. Appl. No. 29/365,771, filed Jul. 14, 2010.
- Co-pending U.S. Appl. No. 29/365,767, filed Jul. 14, 2010.
- Co-pending U.S. Appl. No. 29/365,763, filed Jul. 14, 2010.
- Co-pending U.S. Appl. No. 29/365,757, filed Jul. 14, 2010.
- Co-pending U.S. Appl. No. 29/365,754, filed Jul. 14, 2010.
- Co-pending U.S. Appl. No. 29/365,749, filed Jul. 14, 2010.
- Co-pending U.S. Appl. No. 29/365,751, filed Jul. 14, 2010.
- Co-pending U.S. Appl. No. 29/365,742, filed Jul. 14, 2010.
- Co-pending U.S. Appl. No. 29/354,684, filed Jan. 27, 2010.

* cited by examiner

Primary Examiner — Thomas Johannes

(74) *Attorney, Agent, or Firm* — Evans & Dixon, LLC; Don V. Kelly

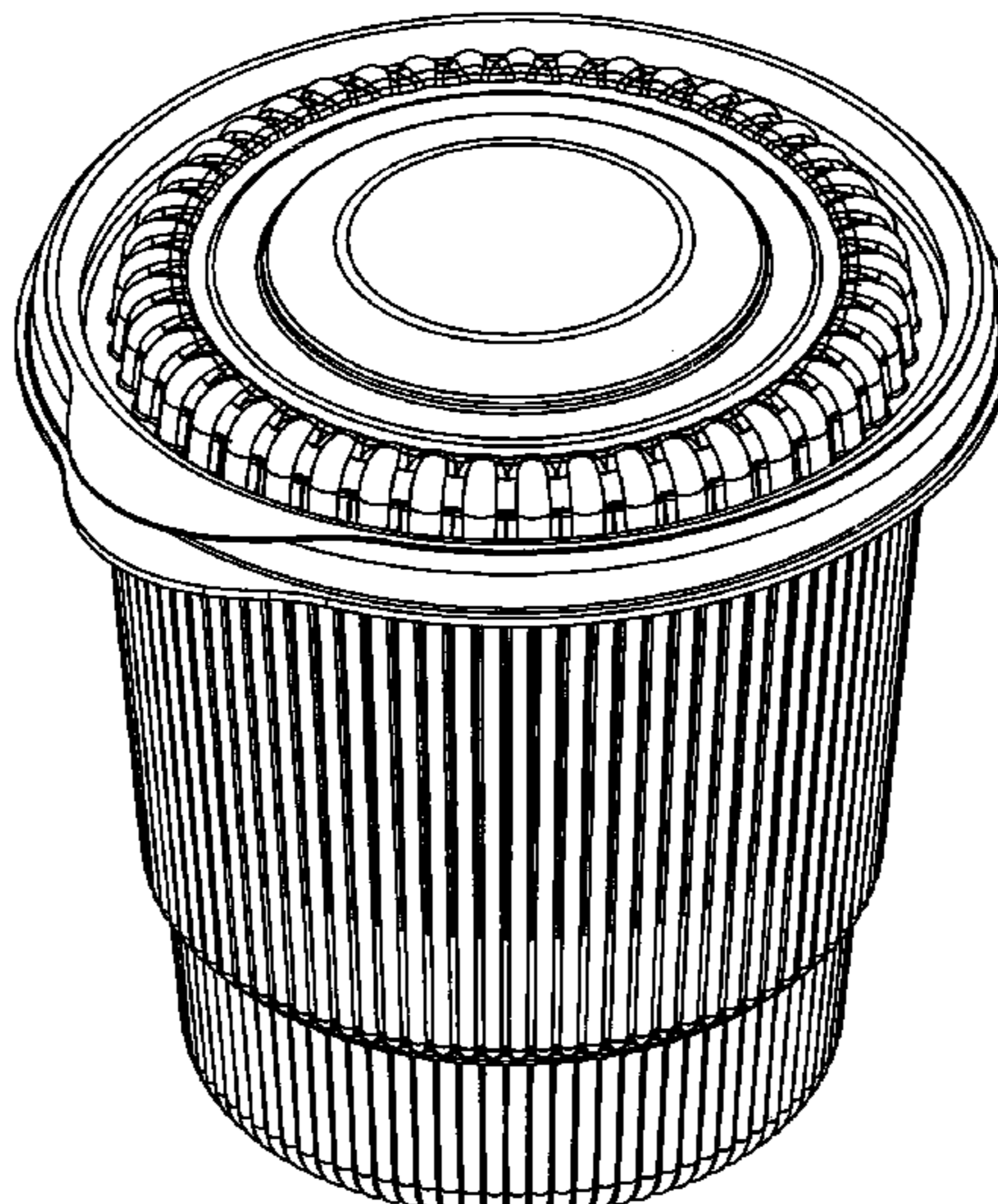
(57) **CLAIM**

The ornamental design for a side dish container comprising a lid and a base, as shown and described.

DESCRIPTION

FIG. 1 is a front perspective view of a side dish container comprising a lid and a base showing our new design; FIG. 2 is a top plan view thereof; FIG. 3 is a bottom plan view thereof; FIG. 4 is a front elevation view thereof; FIG. 5 is a rear elevation view thereof; FIG. 6 is a left side elevation view thereof; and, FIG. 7 is a right side elevation view thereof. The broken line portion of the figure drawings is included to show unclaimed subject matter only and forms no part of the claimed design.

1 Claim, 7 Drawing Sheets



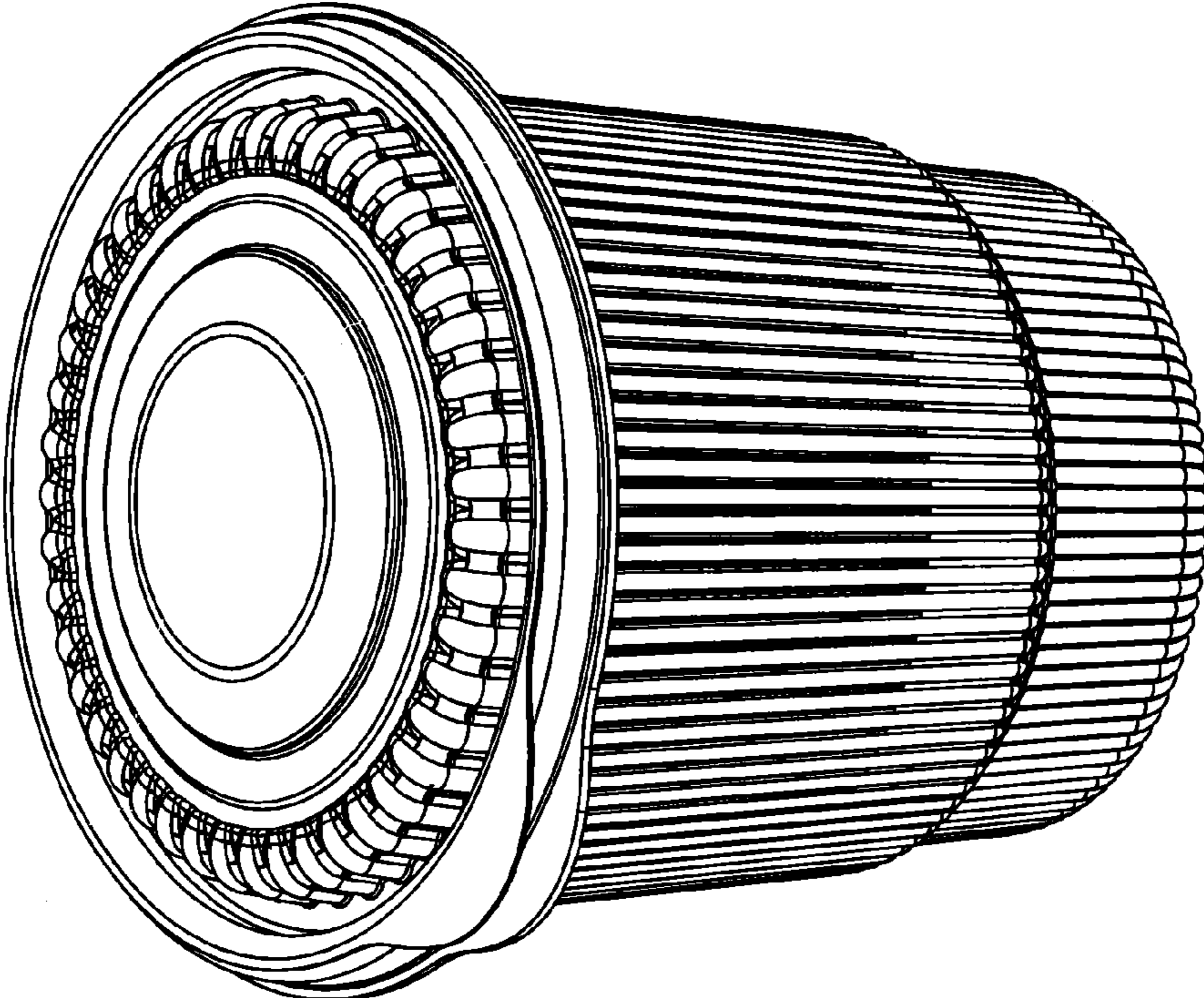


FIGURE 1

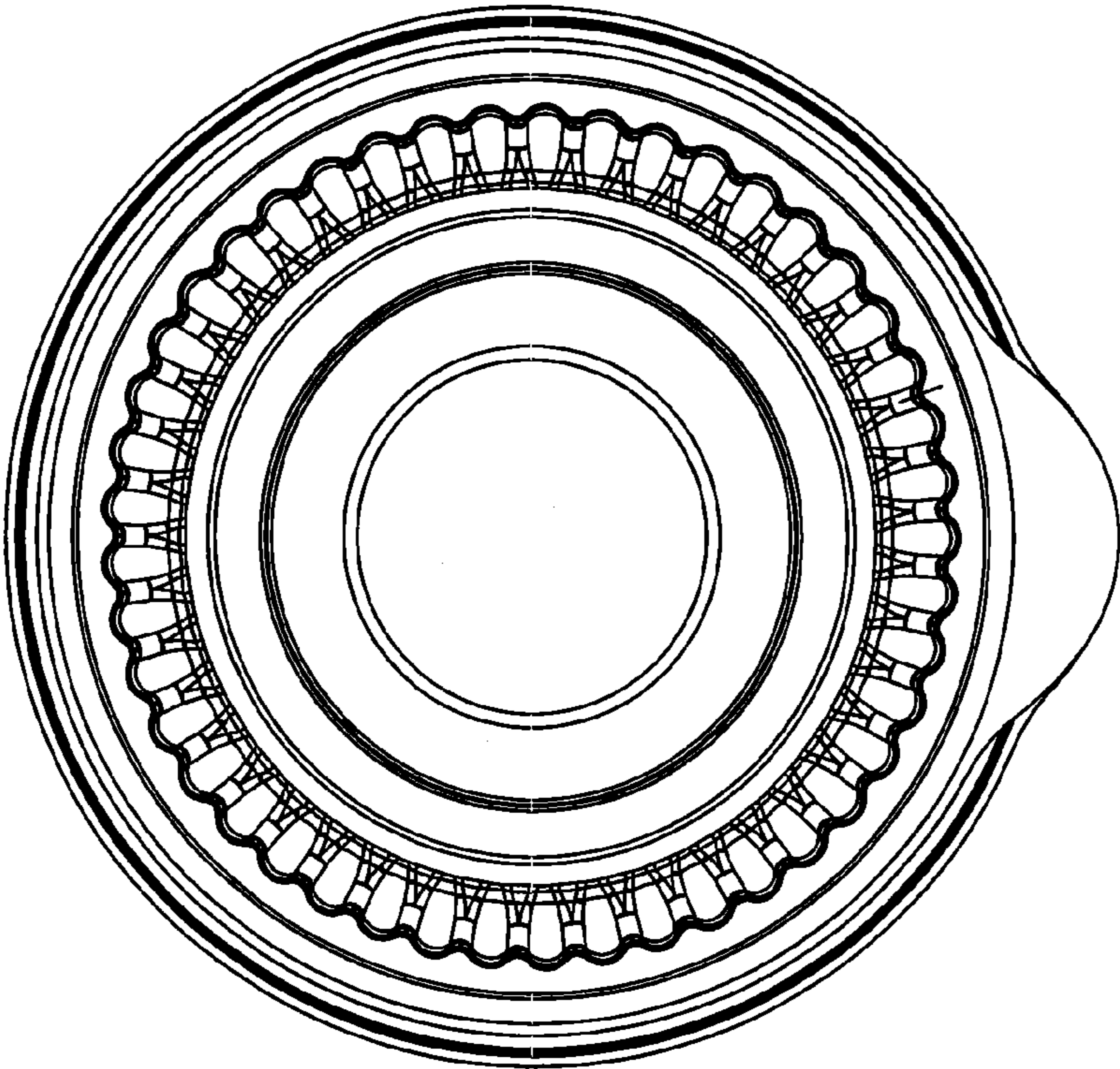


FIGURE 2

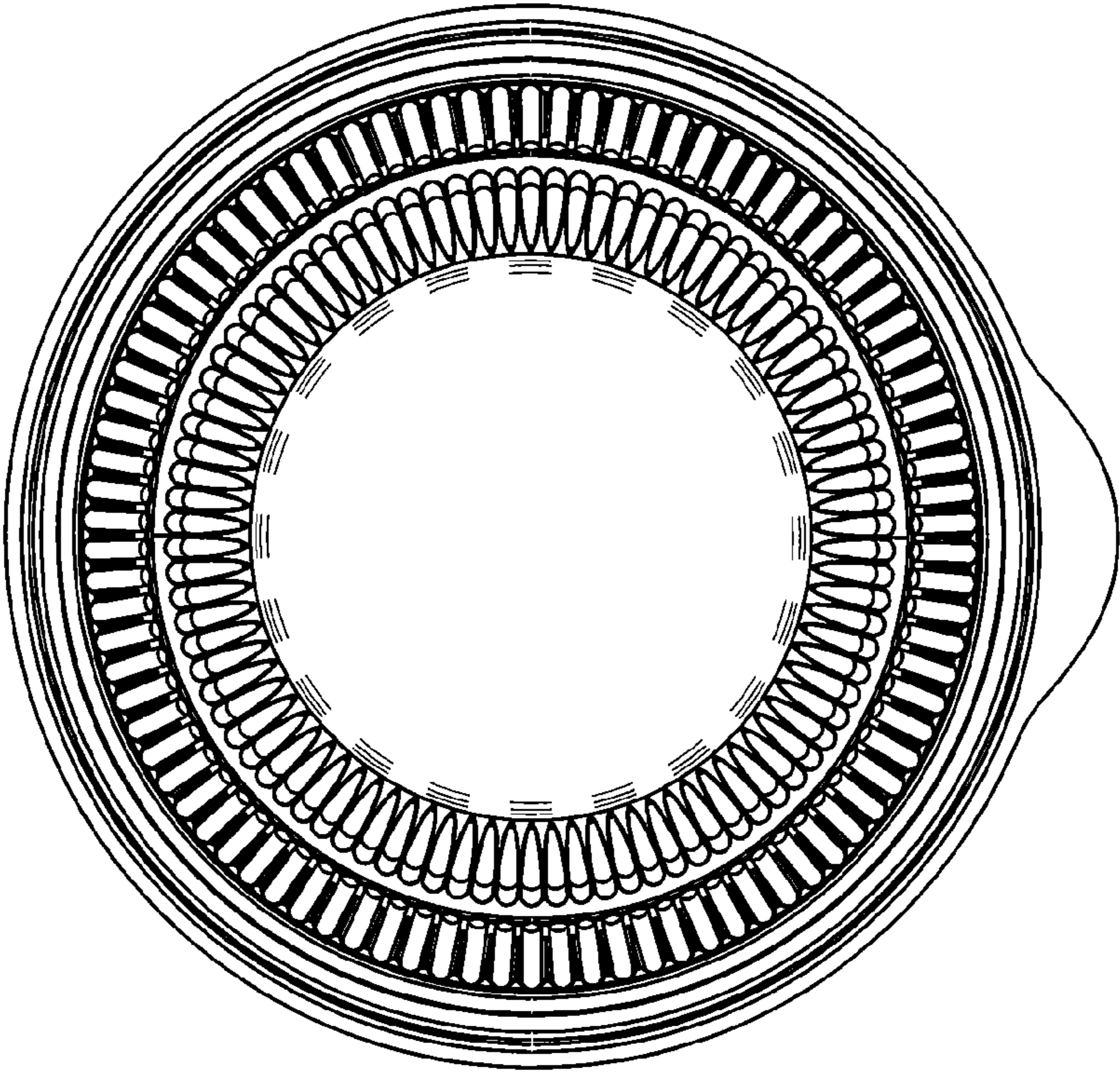


FIGURE 3

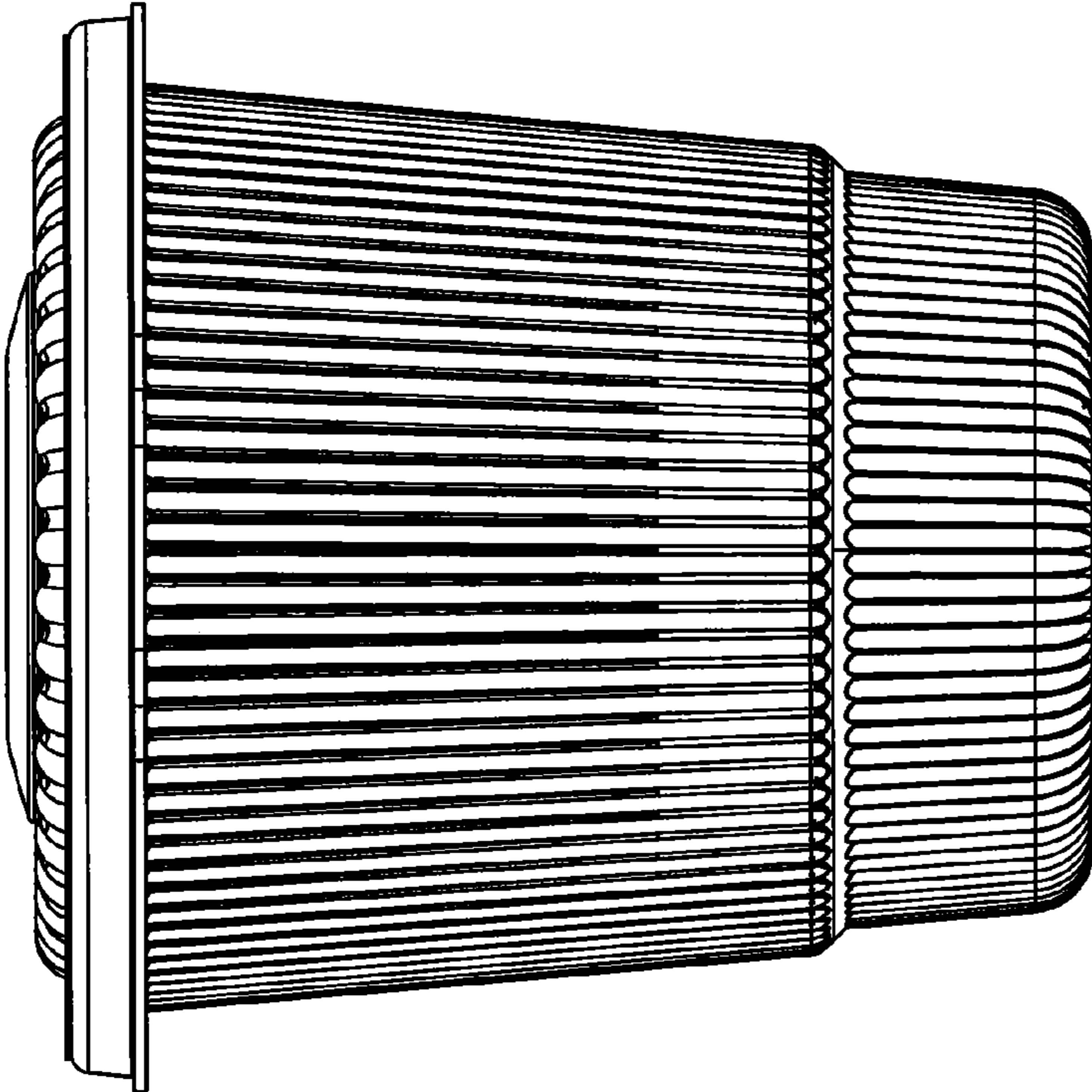


FIGURE 4

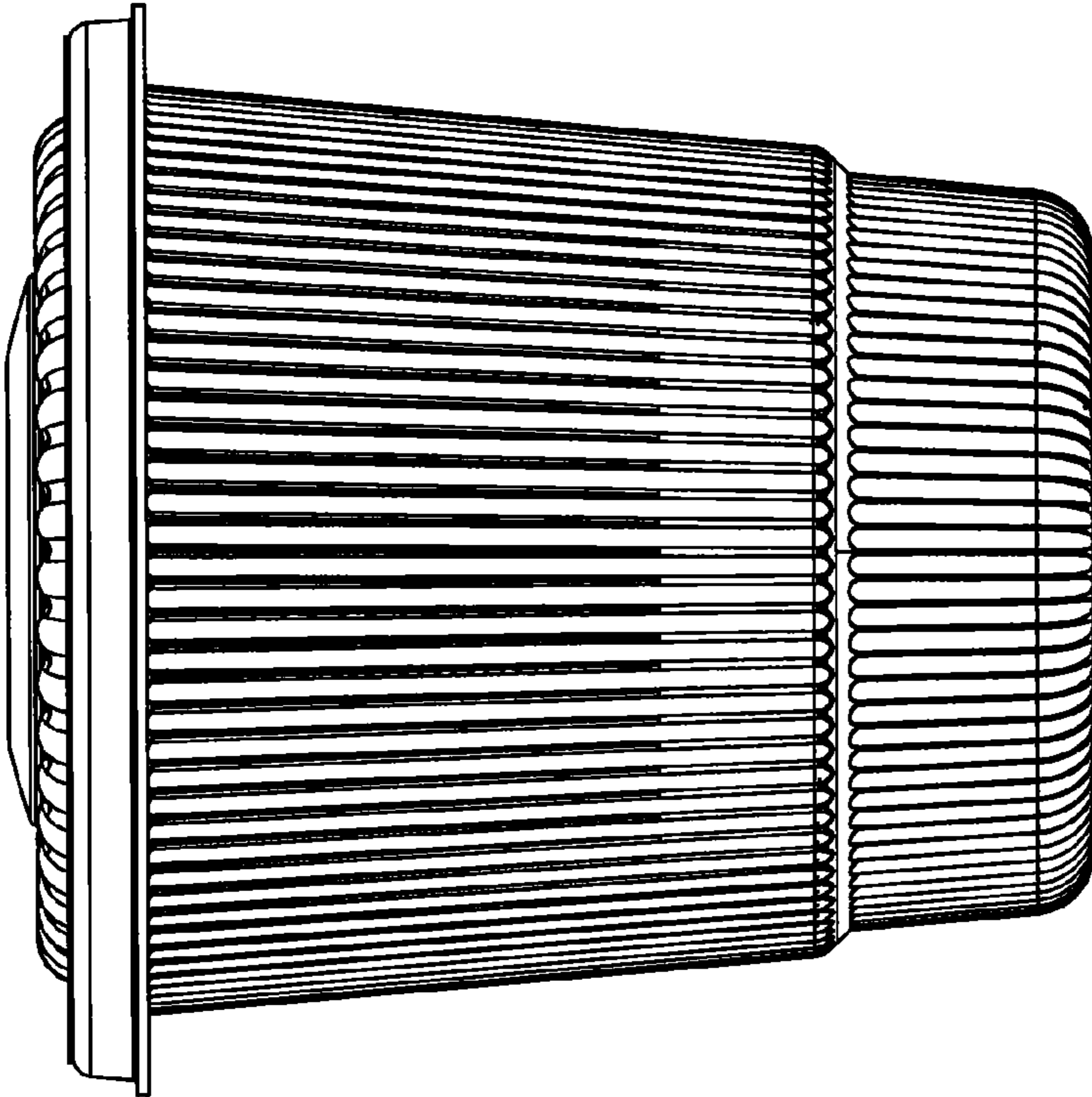


FIGURE 5

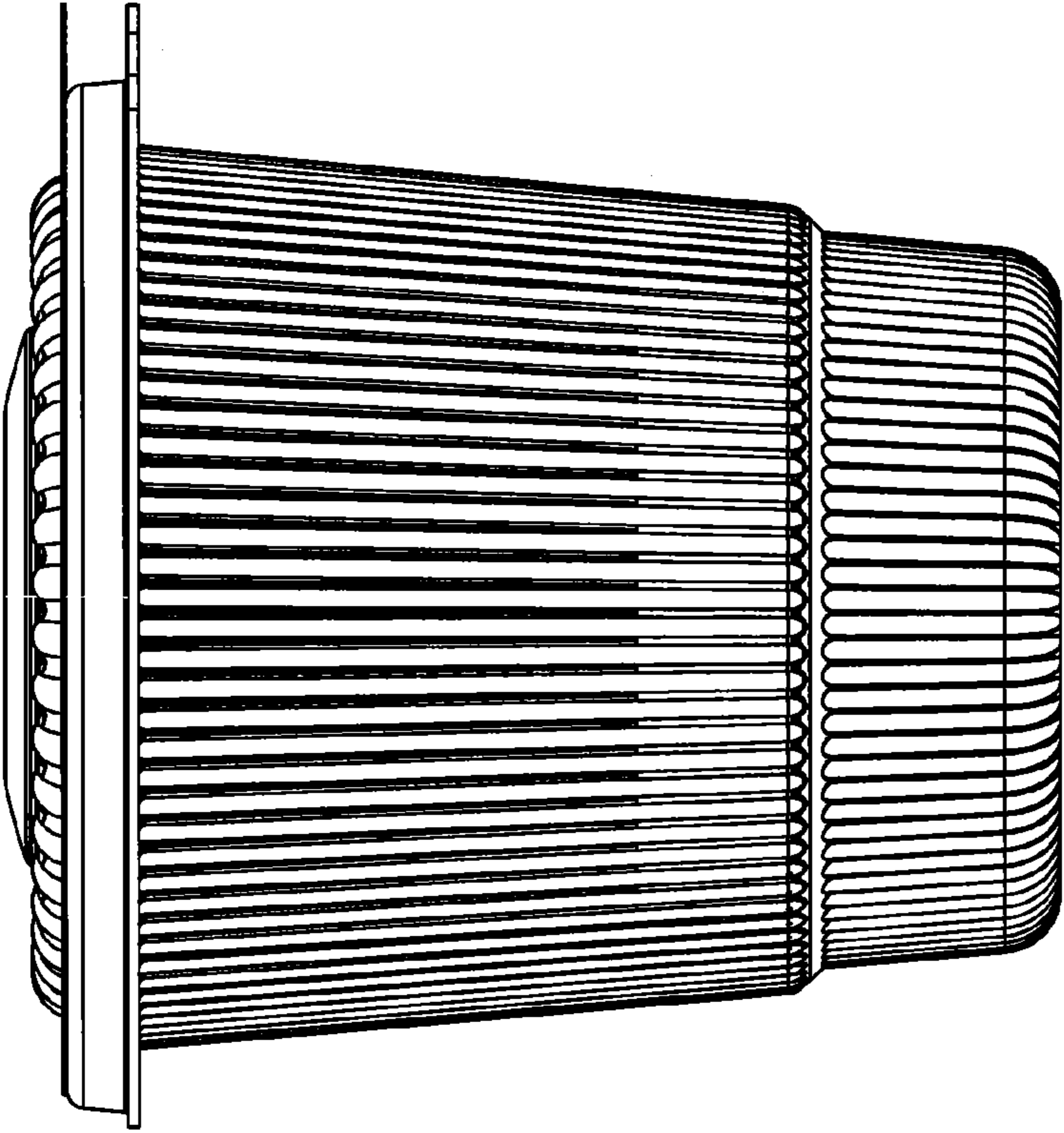


FIGURE 6

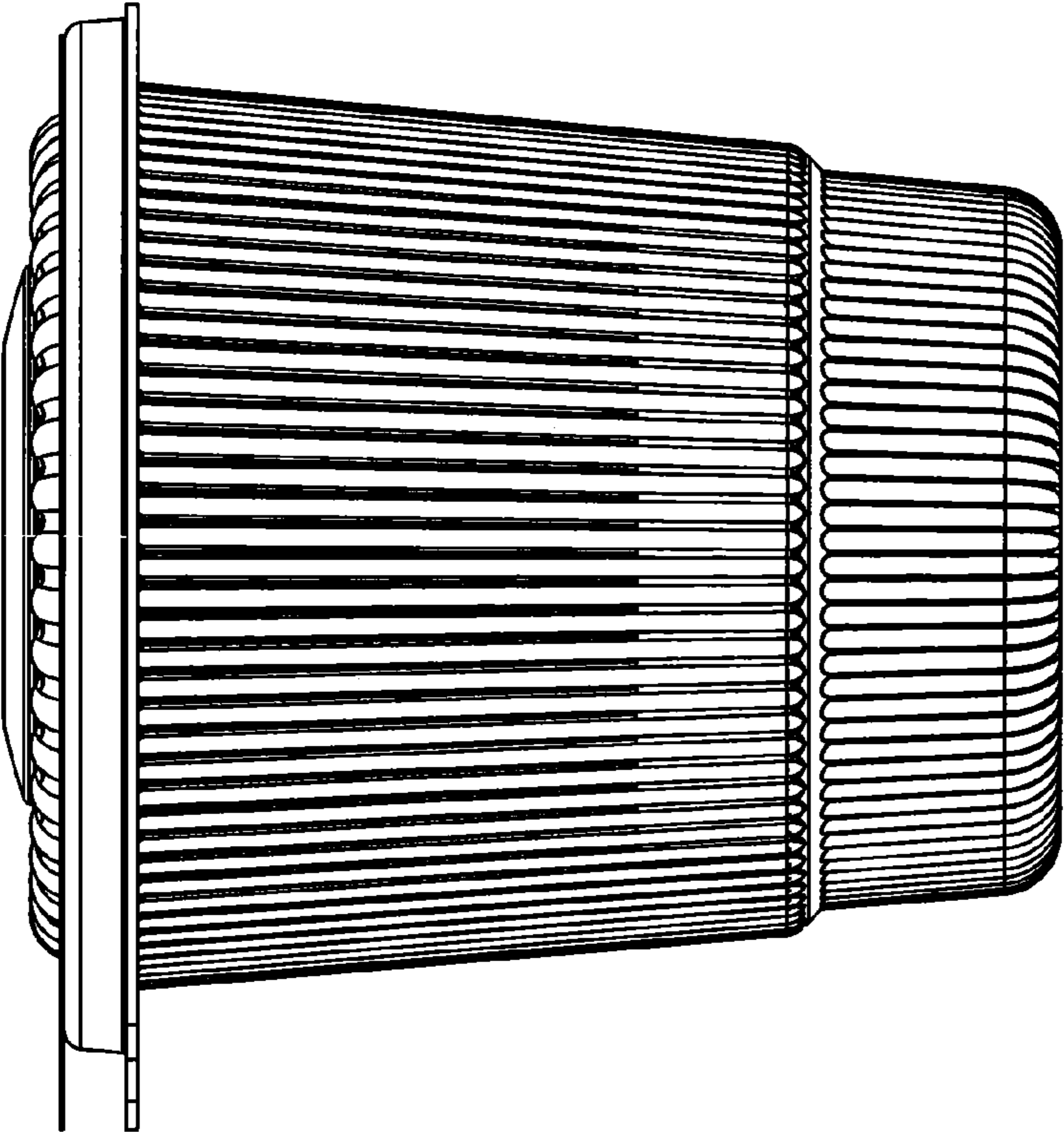


FIGURE 7