



US00D649035S

(12) **United States Design Patent**
Riales

(10) **Patent No.:** **US D649,035 S**

(45) **Date of Patent:** **** Nov. 22, 2011**

(54) **SIDE DISH CONTAINER COMPRISING A LID AND A BASE**

2007/0284426 A1* 12/2007 Lo 229/403
2009/0020597 A1* 1/2009 D'Amato 229/403
2010/0072268 A1* 3/2010 Johnson et al. 229/403

(75) Inventor: **Brent Riales**, Paragould, AR (US)

OTHER PUBLICATIONS

(73) Assignee: **Anchor Packaging, Inc.**, Saint Louis, MO (US)

Co-pending U.S. Appl. No. 29/365,532, filed Jul. 9, 2010.
Co-pending U.S. Appl. No. 29/365,543, filed Jul. 9, 2010.
Co-pending U.S. Appl. No. 29/365,772, filed Jul. 14, 2010.
Co-pending U.S. Appl. No. 29/365,771, filed Jul. 14, 2010.
Co-pending U.S. Appl. No. 29/365,767, filed Jul. 14, 2010.
Co-pending U.S. Appl. No. 29/365,763, filed Jul. 14, 2010.
Co-pending U.S. Appl. No. 29/365,761, filed Jul. 14, 2010.
Co-pending U.S. Appl. No. 29/365,757, filed Jul. 14, 2010.
Co-pending U.S. Appl. No. 29/365,754, filed Jul. 14, 2010.
Co-pending U.S. Appl. No. 29/365,749, filed Jul. 14, 2010.
Co-pending U.S. Appl. No. 29/365,742, filed Jul. 14, 2010.
Co-pending U.S. Appl. No. 29/354,684, filed Jan. 27, 2010.

(**) Term: **14 Years**

(21) Appl. No.: **29/365,751**

(22) Filed: **Jul. 14, 2010**

(51) **LOC (9) Cl.** **09-03**

(52) **U.S. Cl.** **D9/429**

(58) **Field of Classification Search** D9/424,
D9/425, 428, 429, 431; D7/530, 531, 608;
229/400-406, 932, 906.1; 220/656-659,
220/669-675, 912, 4.21-4.27; 206/499,
206/508, 557

* cited by examiner

See application file for complete search history.

Primary Examiner — Thomas Johannes

(74) *Attorney, Agent, or Firm* — Evans & Dixon, LLC; Don V. Kelly

(56) **References Cited**

(57) **CLAIM**

The ornamental design for a side dish container comprising a lid and a base, as shown and described.

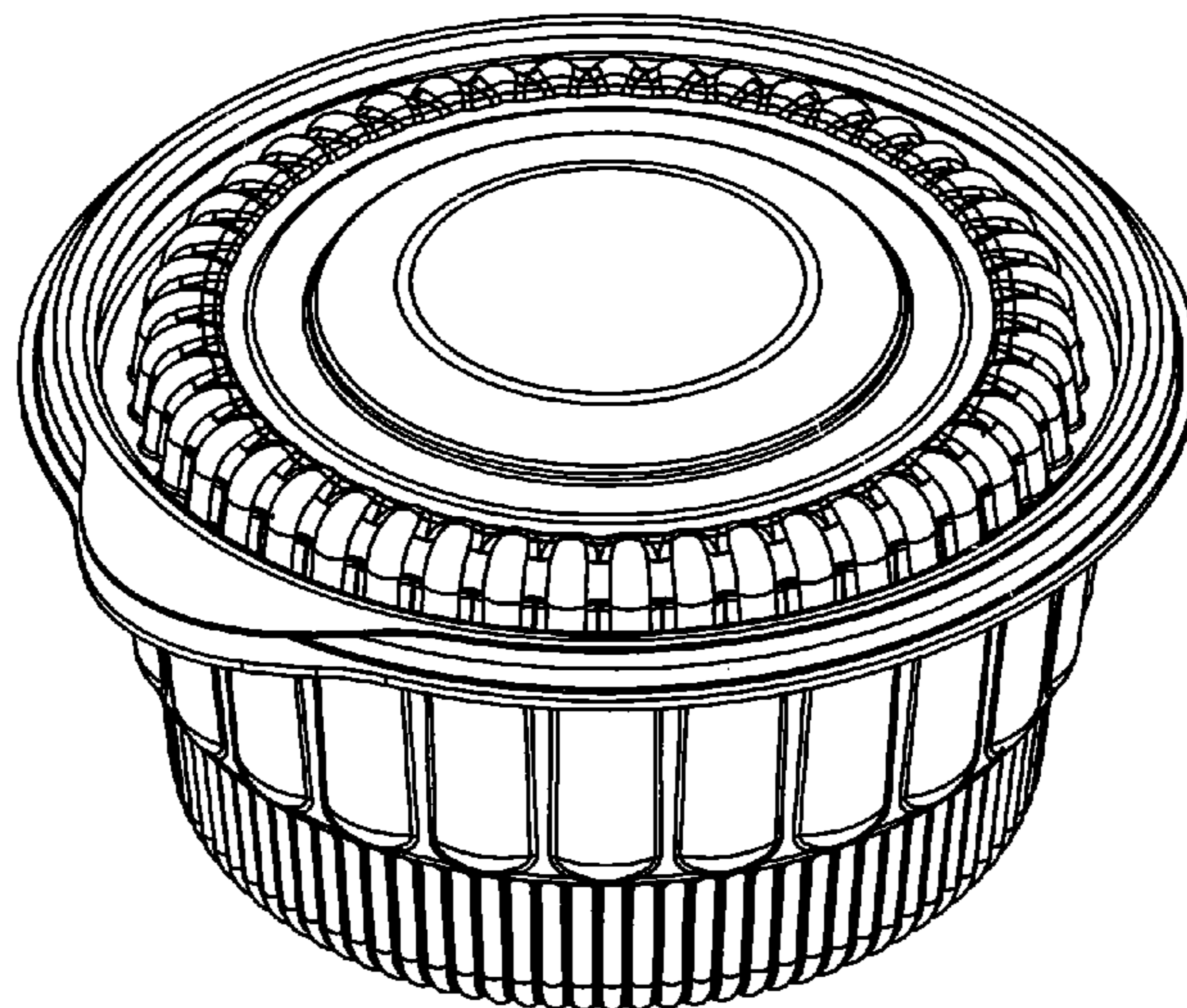
U.S. PATENT DOCUMENTS

DESCRIPTION

3,045,887 A 7/1962 Caine
3,194,468 A 7/1965 Baron
D265,462 S 7/1982 Andrulionis et al.
4,446,969 A 5/1984 Tyler
D297,709 S * 9/1988 Willerup D9/778
D324,324 S * 3/1992 Picozza D7/565
6,217,918 B1 * 4/2001 Oh et al. 426/89
D454,304 S * 3/2002 Kim et al. D9/429
D468,202 S * 1/2003 Chou D9/429
D473,788 S * 4/2003 Chen et al. D9/428
D546,626 S 7/2007 Chou
D551,909 S * 10/2007 Eide et al. D7/565
D574,703 S * 8/2008 Cassol et al. D9/416
D597,793 S 8/2009 Krueger
D603,222 S 11/2009 Krueger
D638,290 S * 5/2011 Cimmerer et al. D9/429
2006/0000882 A1 * 1/2006 Darzinskas 229/403

FIG. 1 is a front perspective view of a side dish container comprising a lid and a base showing my new design; FIG. 2 is a top plan view thereof; FIG. 3 is a bottom plan view thereof; FIG. 4 is a front elevation view thereof; FIG. 5 is a rear elevation view thereof; FIG. 6 is a left side elevation view thereof; and, FIG. 7 is a right side elevation view thereof. The broken line portion of the figure drawings is included to show unclaimed subject matter only and forms no part of the claimed design.

1 Claim, 7 Drawing Sheets



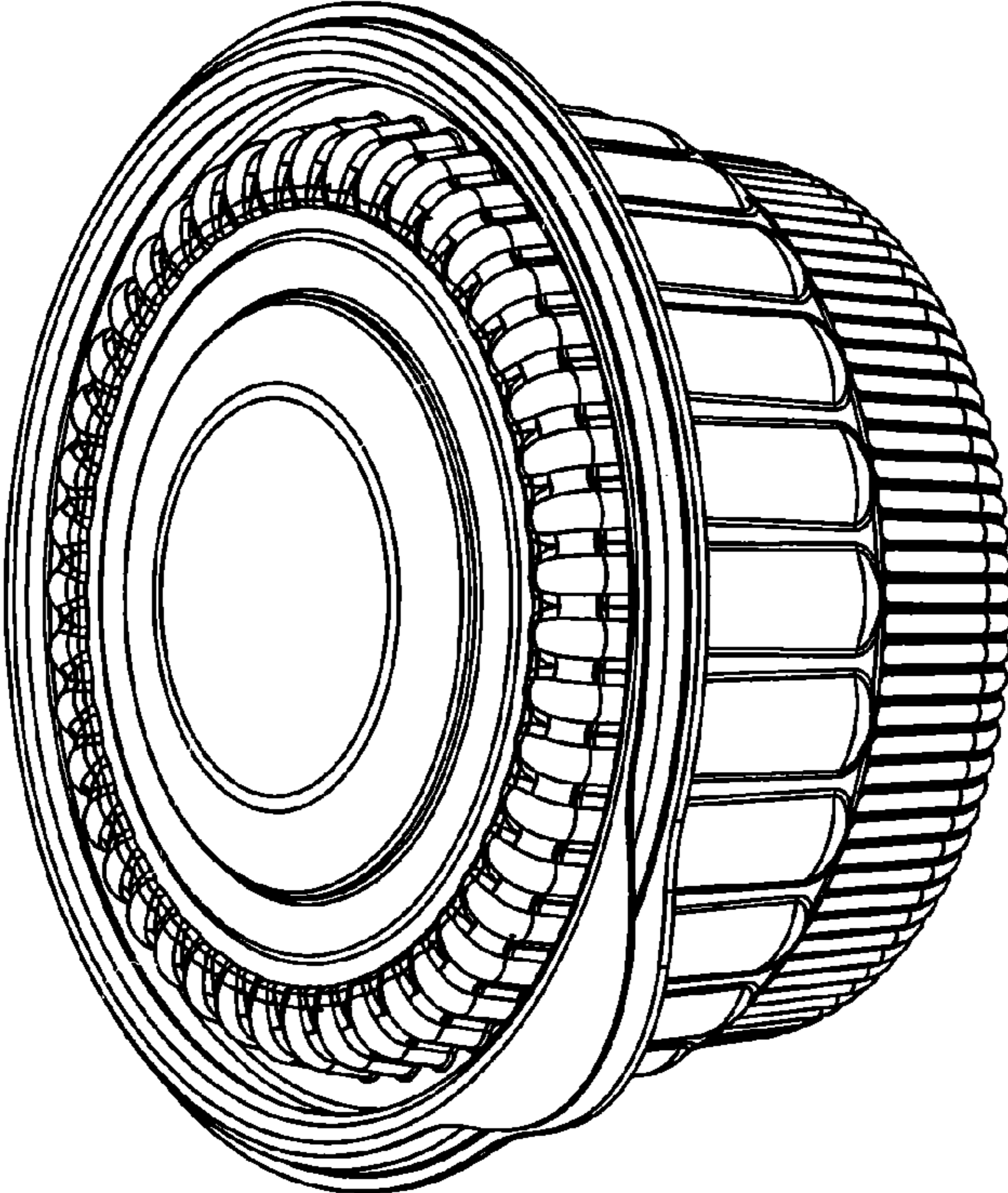


FIGURE 1

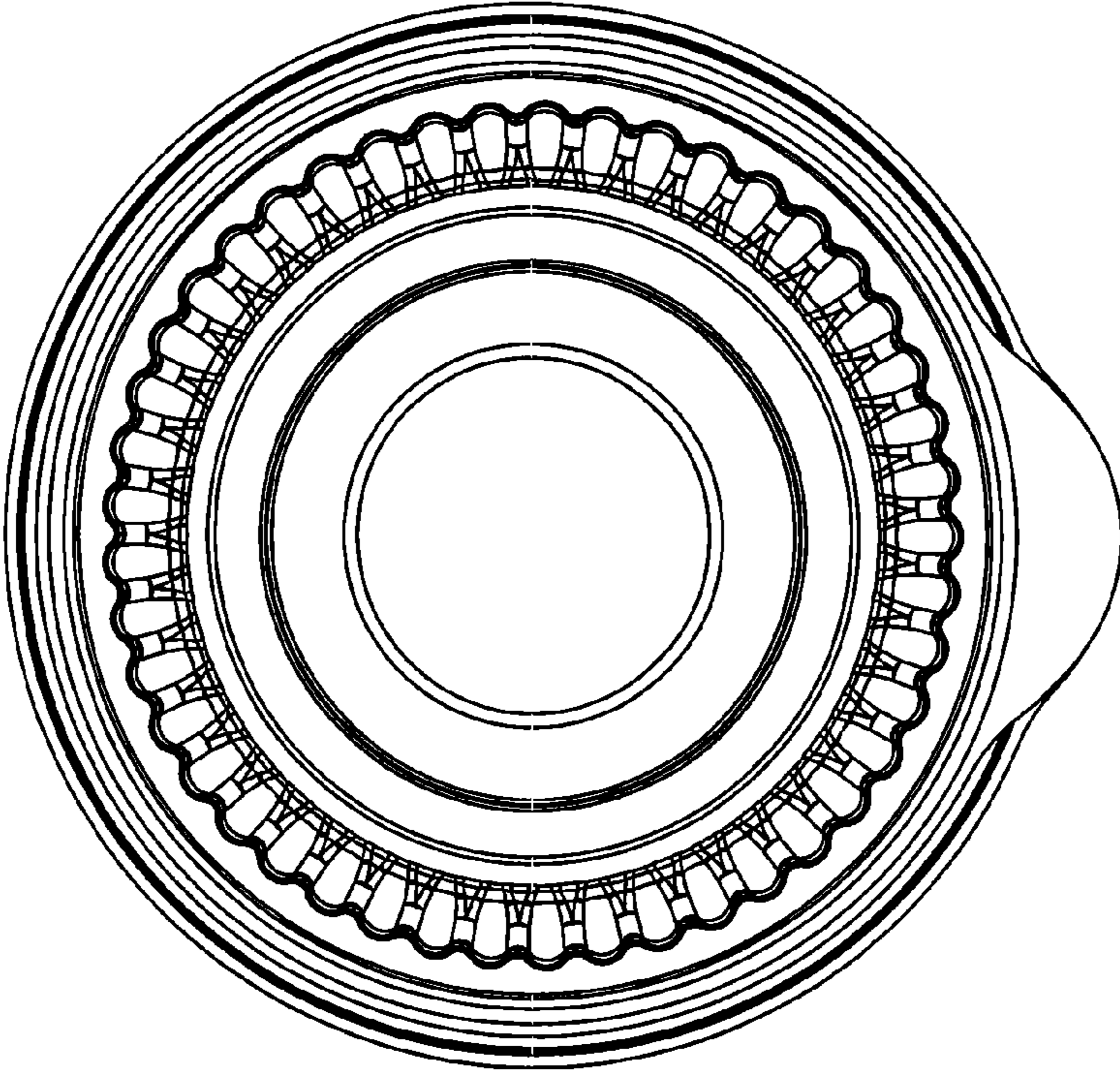


FIGURE 2

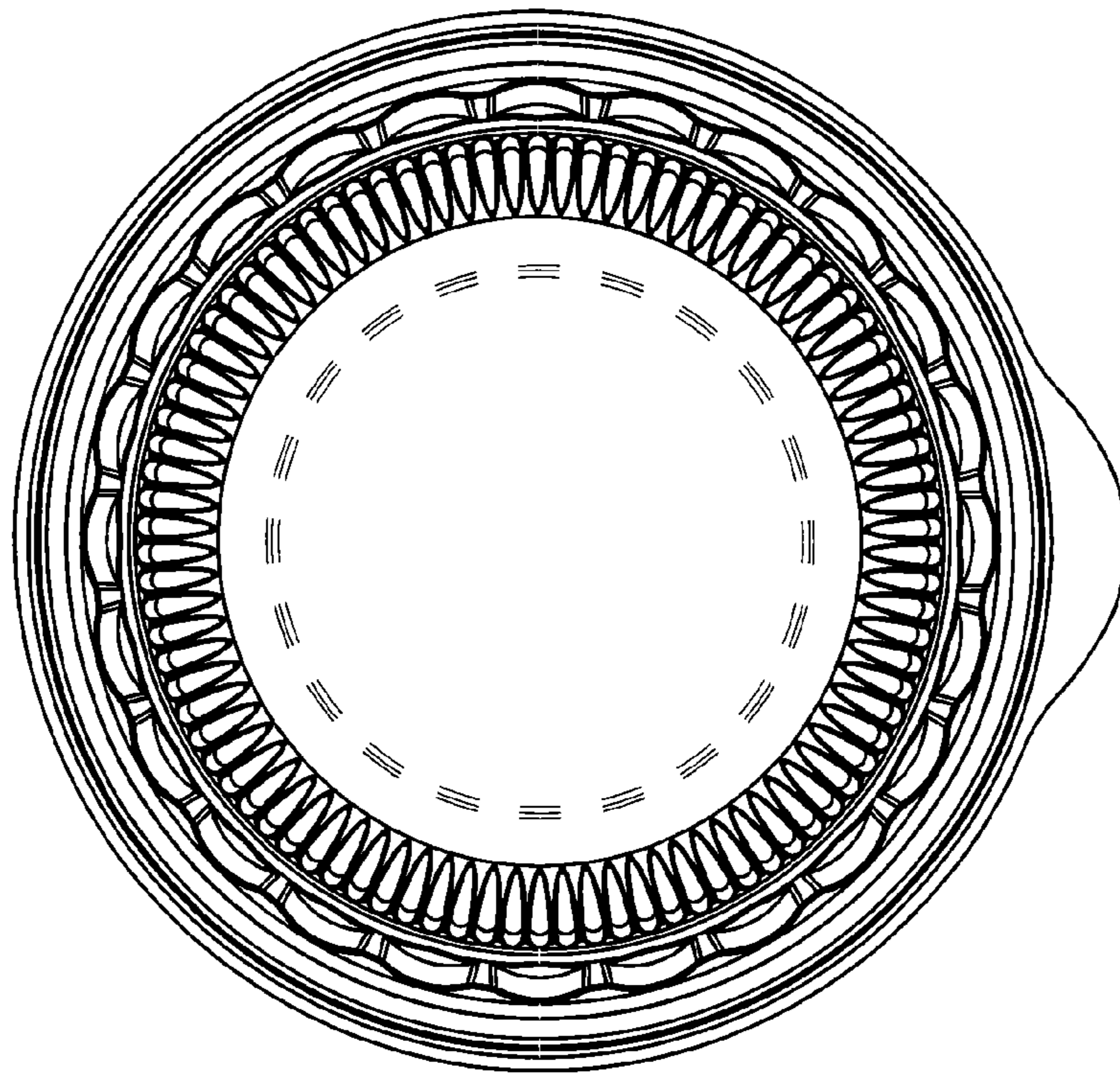


FIGURE 3

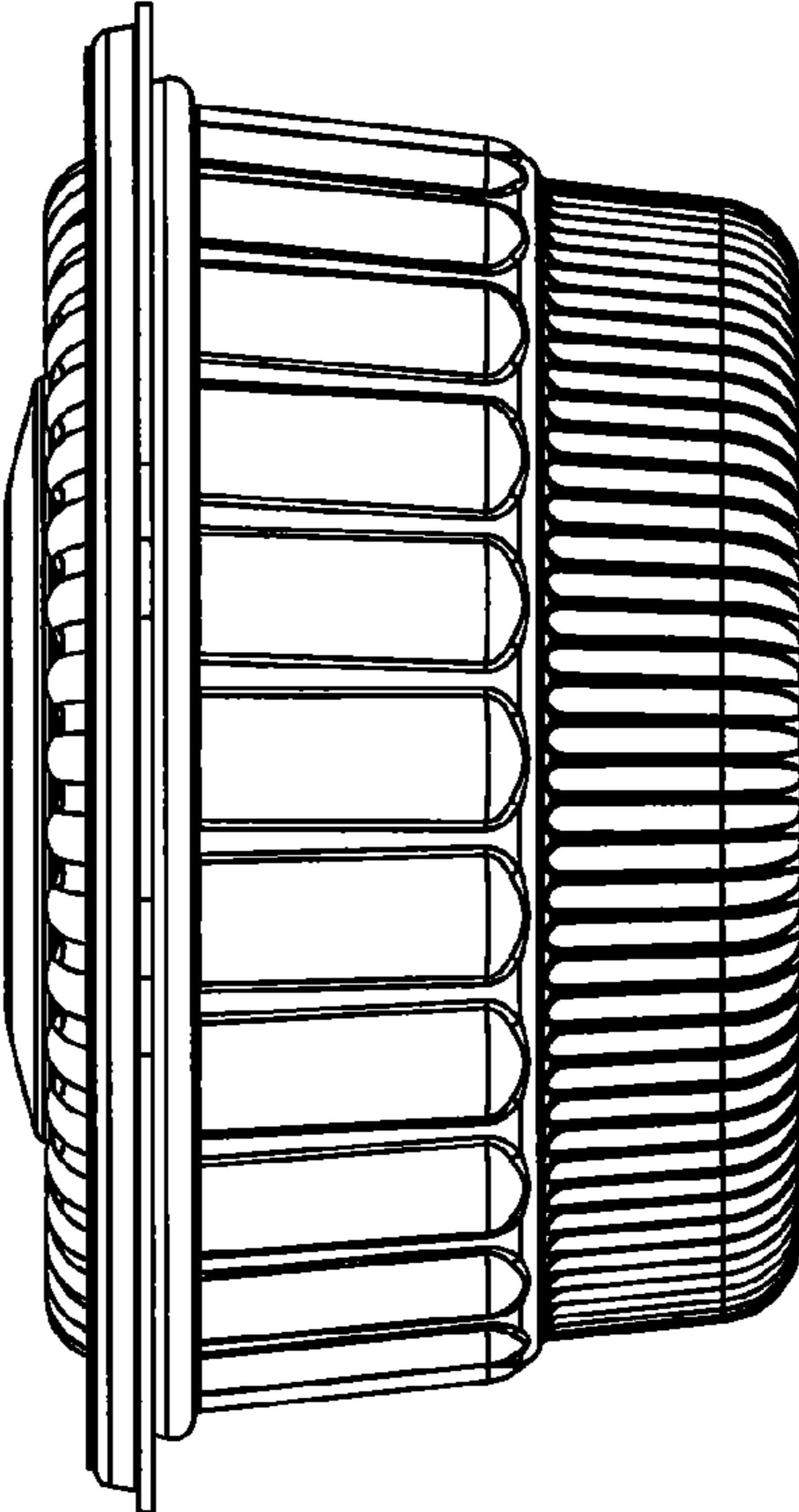


FIGURE 4

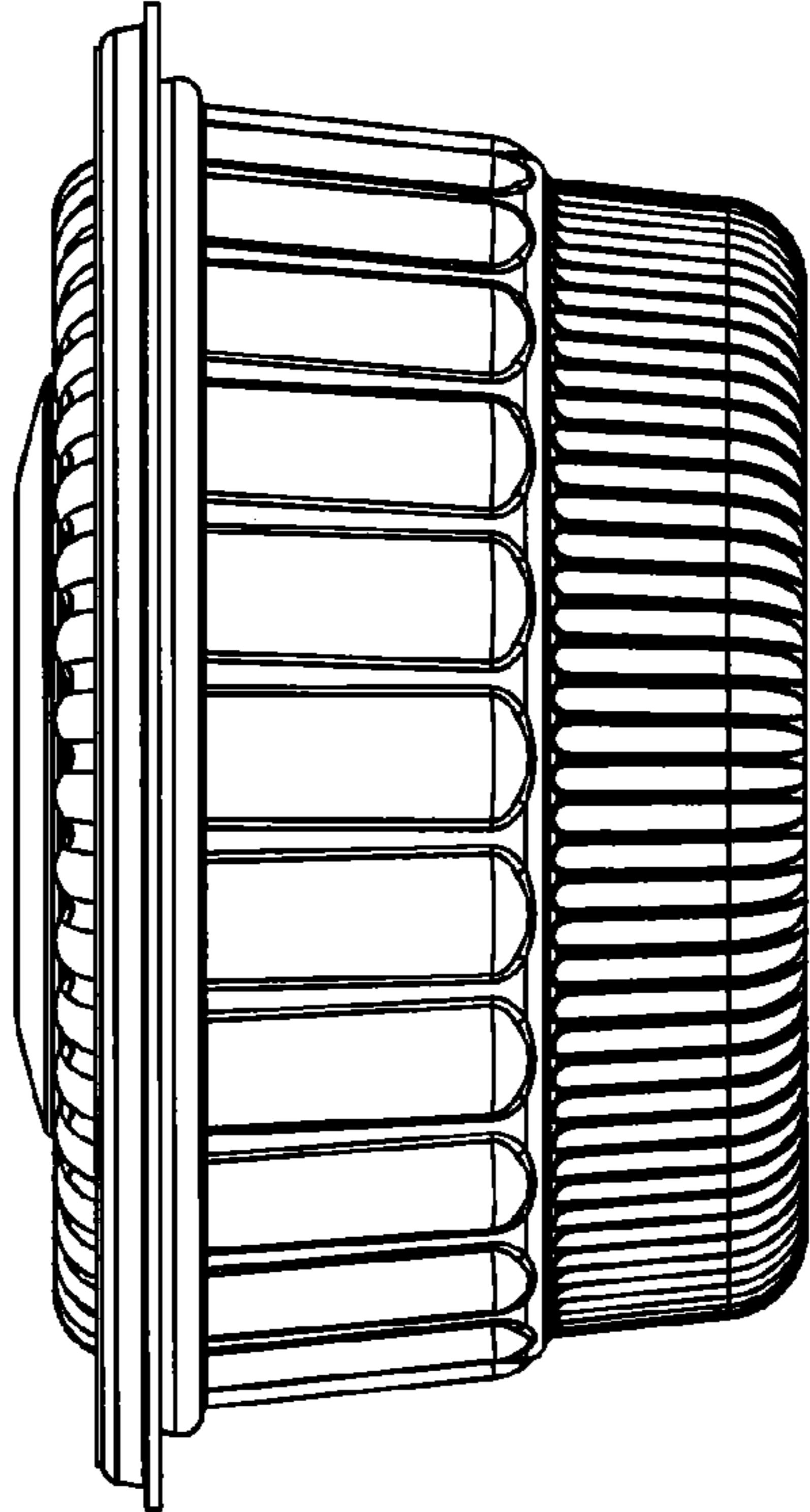


FIGURE 5

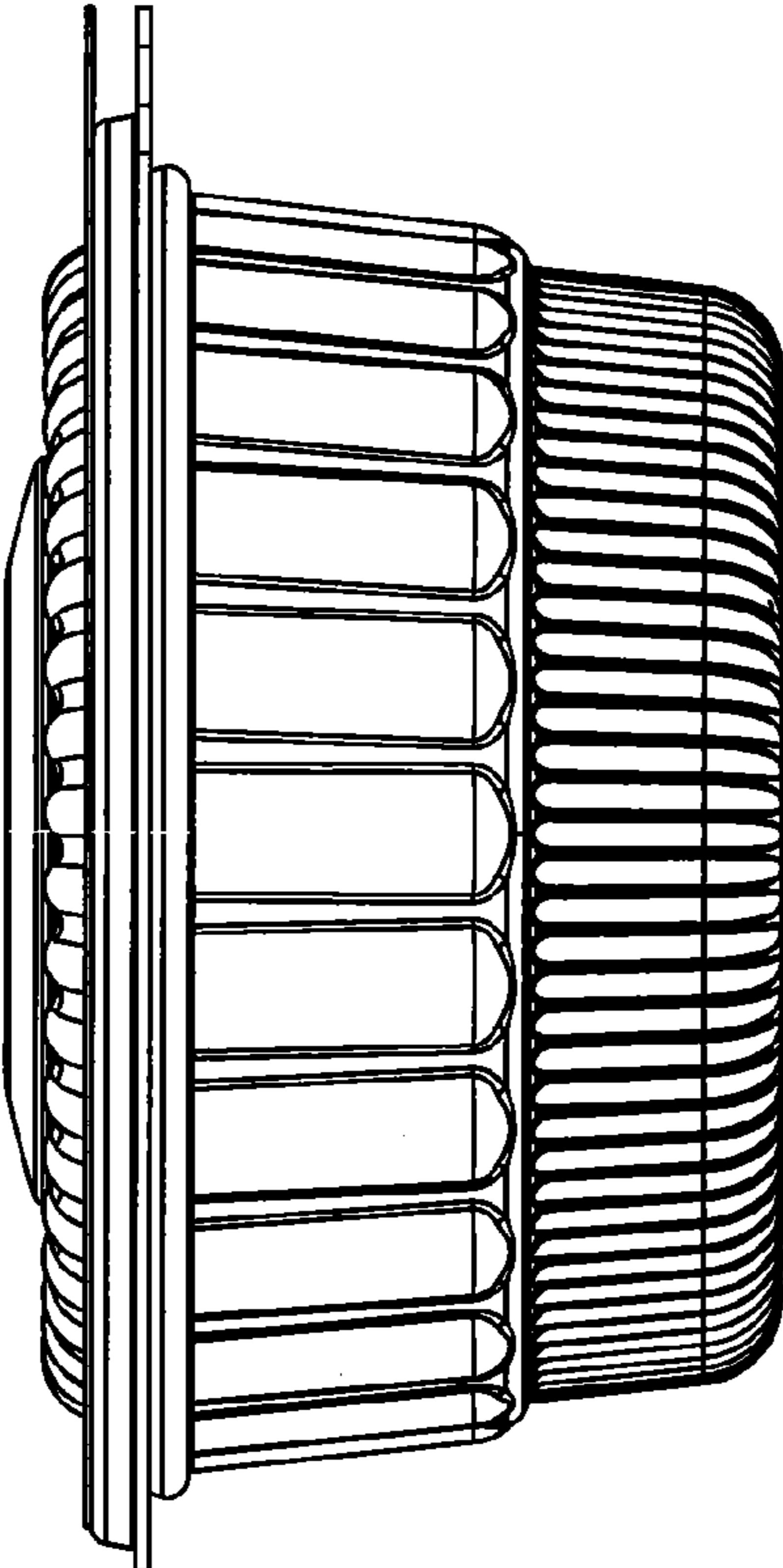


FIGURE 6

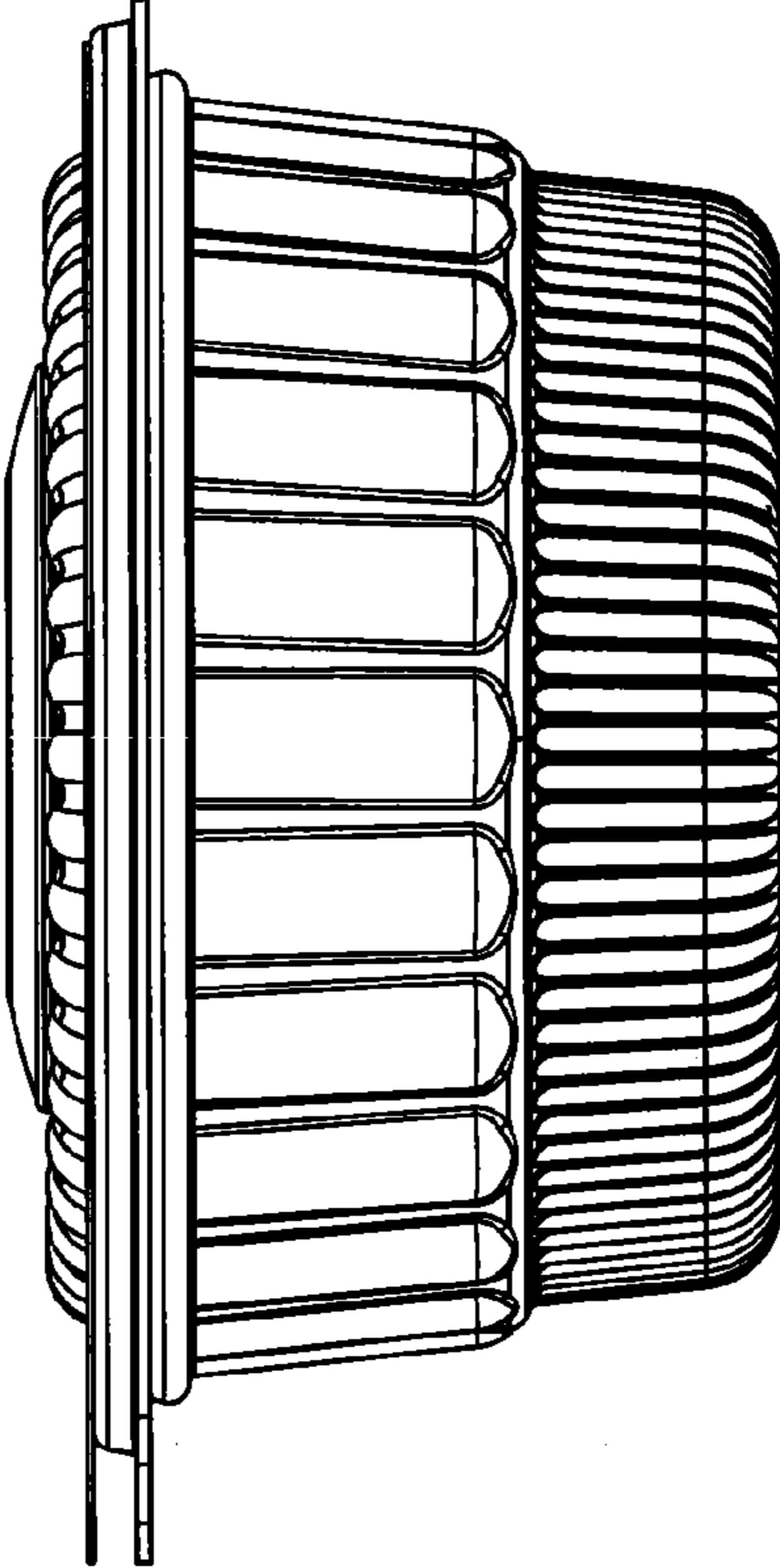


FIGURE 7