



US00D649032S

(12) **United States Design Patent**
Hearn

(10) **Patent No.:** **US D649,032 S**
(45) **Date of Patent:** **** Nov. 22, 2011**

(54) **SIMULATED CIGARETTE PACK**

(75) Inventor: **Alex Hearn**, London (GB)

(73) Assignee: **Kind Consumer Limited**, London (GB)

(**) Term: **14 Years**

(21) Appl. No.: **29/369,206**

(22) Filed: **Sep. 3, 2010**

(30) **Foreign Application Priority Data**

Mar. 9, 2010 (EM) 001201925-0001
Mar. 9, 2010 (EM) 001201925-0004

(51) **LOC (9) Cl.** **09-03**

(52) **U.S. Cl.** **D9/423**

(58) **Field of Classification Search** D9/420,
D9/421, 423, 426, 430, 432; 206/236-241,
206/249-251, 254-259, 261-275; 229/160,
229/160.1; D27/172-176, 185-192

See application file for complete search history.

(56) **References Cited**

U.S. PATENT DOCUMENTS

2,155,613	A	4/1939	Negbaur et al.	
2,445,001	A	7/1948	Pence	
2,983,424	A	5/1961	Glass	
3,190,437	A	6/1965	Tamarin	
3,446,338	A	5/1969	Bozyk	
3,472,362	A	10/1969	Shinoda	
3,583,625	A *	6/1971	Gero	206/264
3,881,599	A *	5/1975	Flaherty	206/273
4,793,478	A	12/1988	Tudor	
5,143,213	A	9/1992	Moore et al.	
5,503,268	A	4/1996	Pham	
5,711,423	A	1/1998	Fuller, Jr.	
6,125,082	A	9/2000	Reid	
D462,806	S *	9/2002	Draghetti	D27/189
6,536,587	B2	3/2003	Wächter	

6,604,530	B1	8/2003	Rogari et al.	
6,695,136	B1	2/2004	Torres	
6,715,605	B1	4/2004	Manservigi et al.	
D519,828	S *	5/2006	Cavero et al.	D9/417
D596,787	S	7/2009	Hearn	
7,565,969	B2 *	7/2009	He	206/251
D607,320	S *	1/2010	Tearle	D9/423
D609,398	S	2/2010	Hearn	
D618,090	S *	6/2010	Tearle	D9/423
D623,937	S *	9/2010	Tearle	D9/423
2005/0051443	A1	3/2005	Lin	
2005/0092625	A1	5/2005	Brizzi et al.	
2005/0115846	A1	6/2005	Stringfield	
2007/0246383	A1 *	10/2007	He	206/268
2010/0270185	A1 *	10/2010	Berger et al.	206/268

* cited by examiner

Primary Examiner — Thomas Johannes

(74) *Attorney, Agent, or Firm* — Patterson & Sheridan, LLP

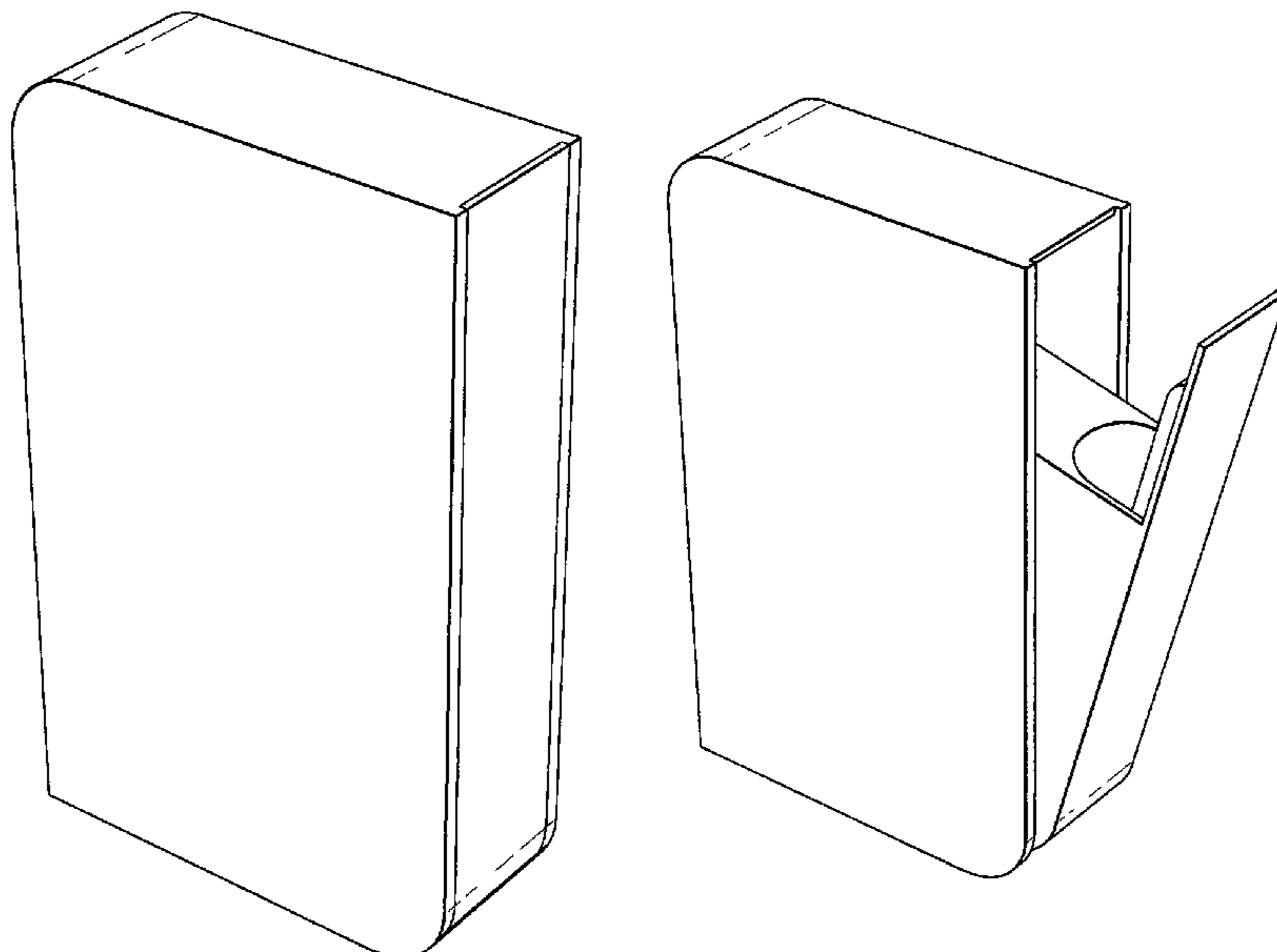
(57) **CLAIM**

The ornamental design for a simulated cigarette pack, as shown and described.

DESCRIPTION

FIG. 1 is a front perspective view of a simulated cigarette pack showing my new design;
FIG. 2 is a top plan view thereof;
FIG. 3 is a rear elevation view thereof;
FIG. 4 is a left side elevation view thereof;
FIG. 5 is a front elevation view thereof;
FIG. 6 is bottom plan view thereof;
FIG. 7 is a right side elevation view thereof;
FIG. 8 is a front perspective view thereof in an open position; and,
FIG. 9 is a left side elevation view thereof in an open position. The broken line portion of the figure drawings is included to show unclaimed subject matter only and forms no part of the claimed design.

1 Claim, 4 Drawing Sheets



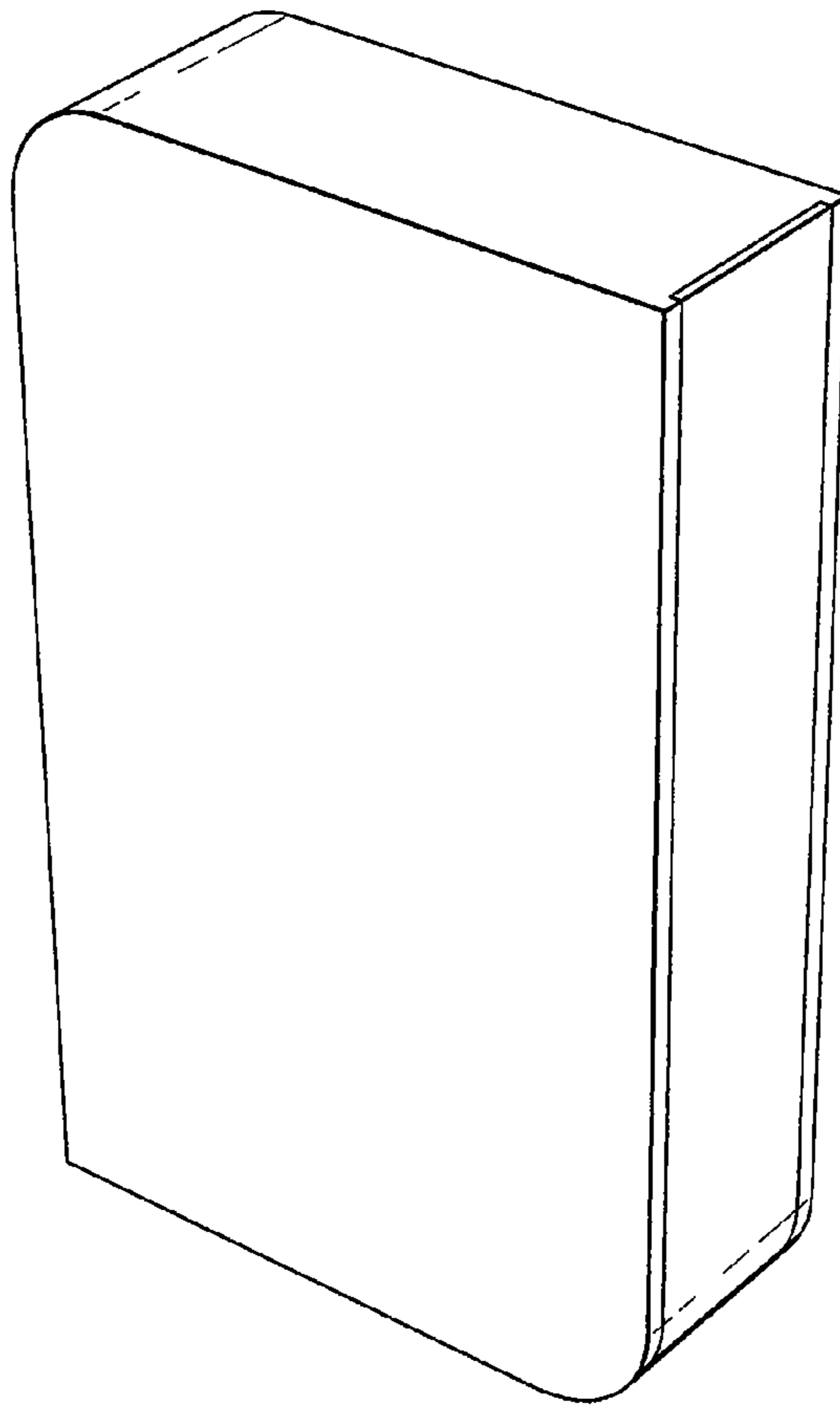


FIG. 1



FIG. 2

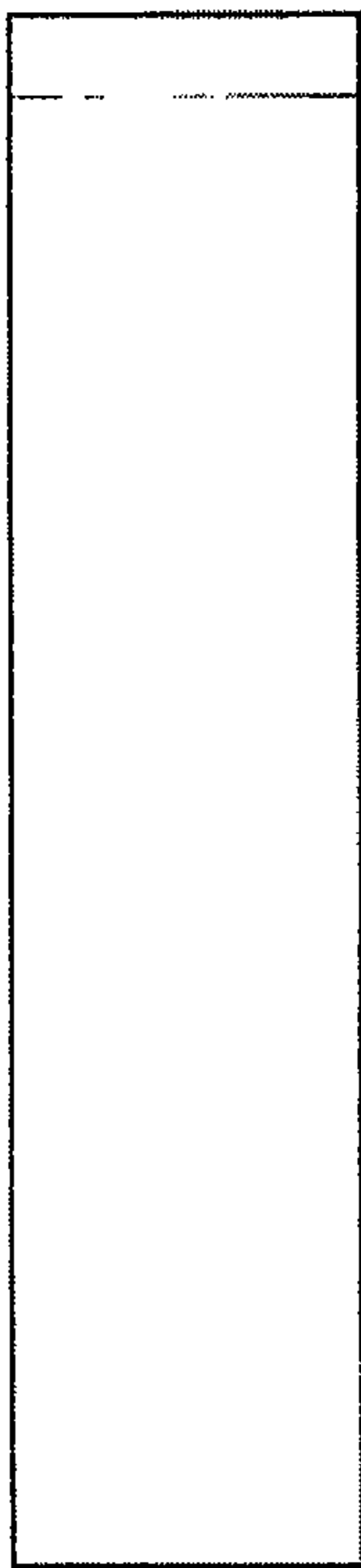


FIG. 3

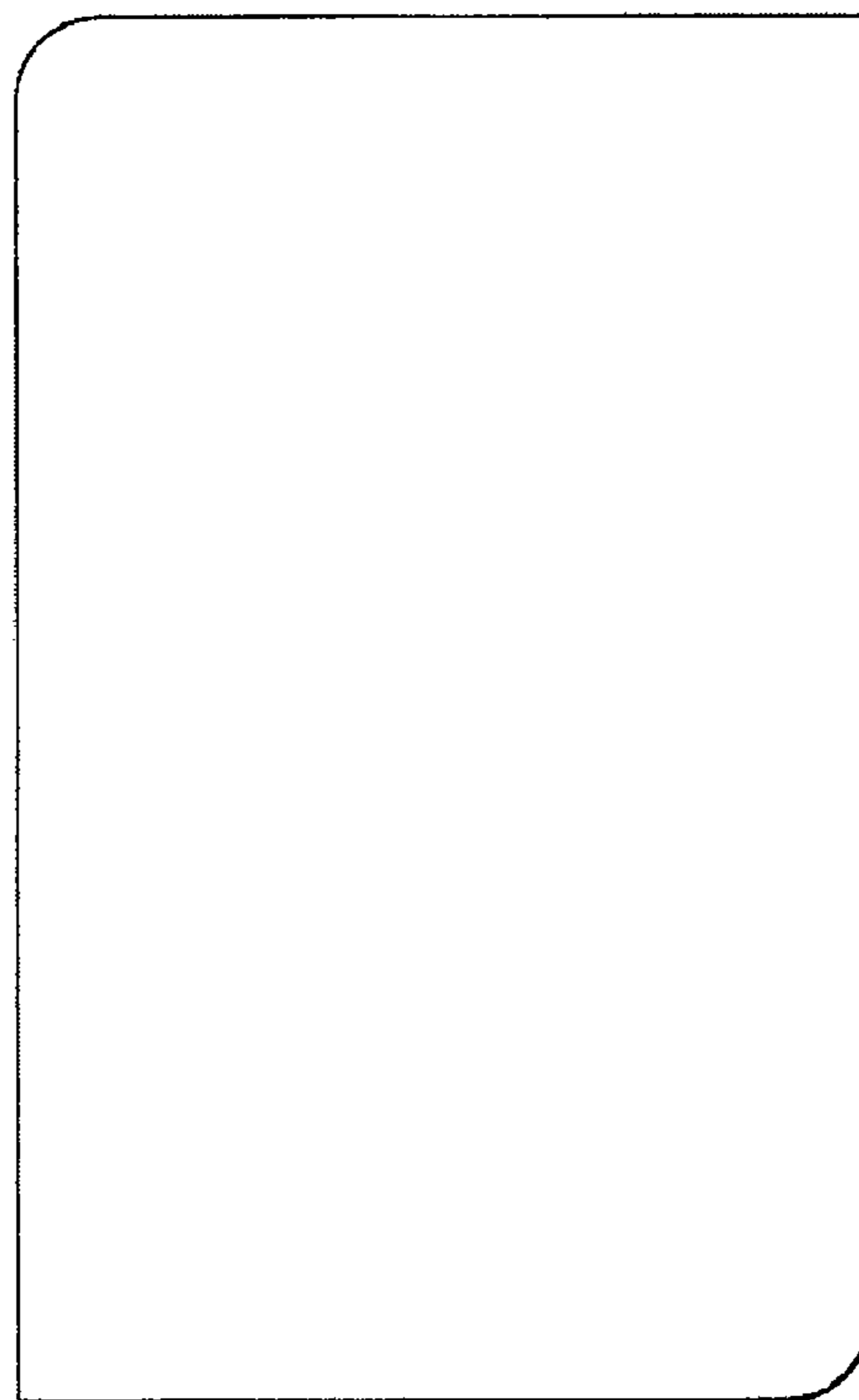


FIG. 4

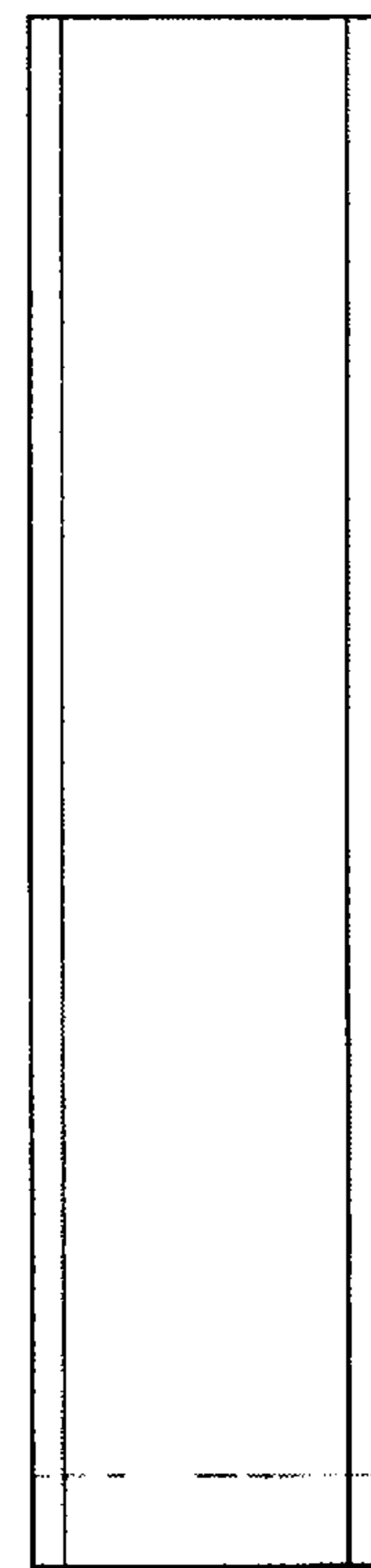


FIG. 5

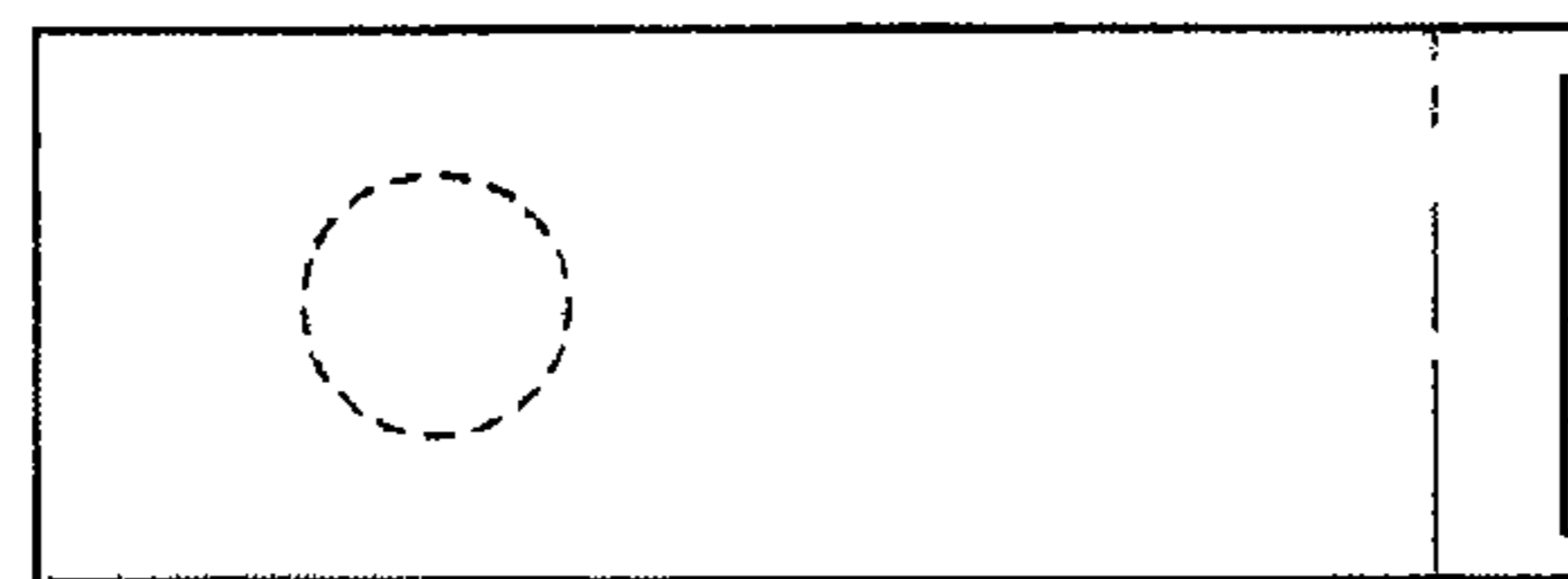


FIG. 6

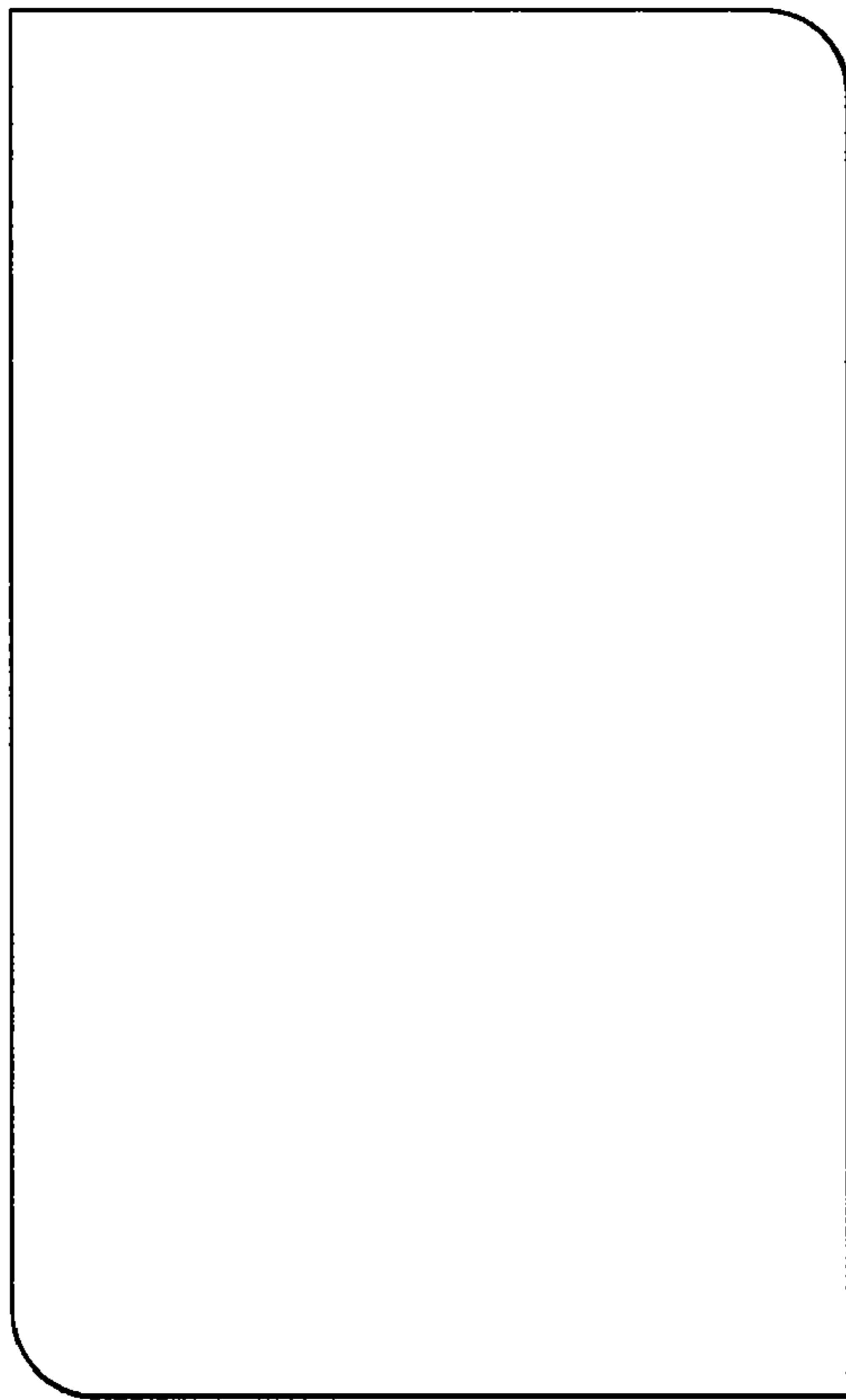


FIG. 7

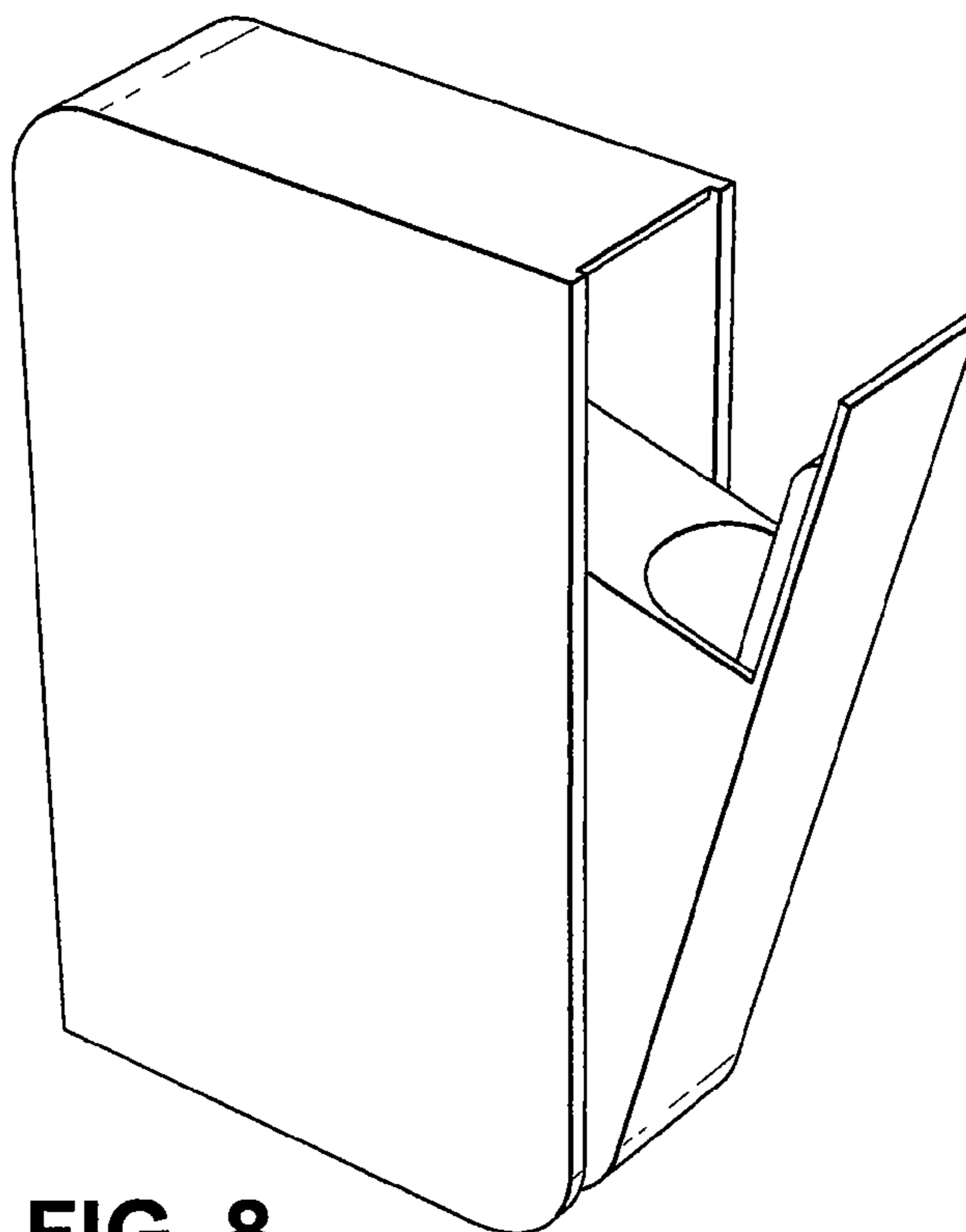


FIG. 8

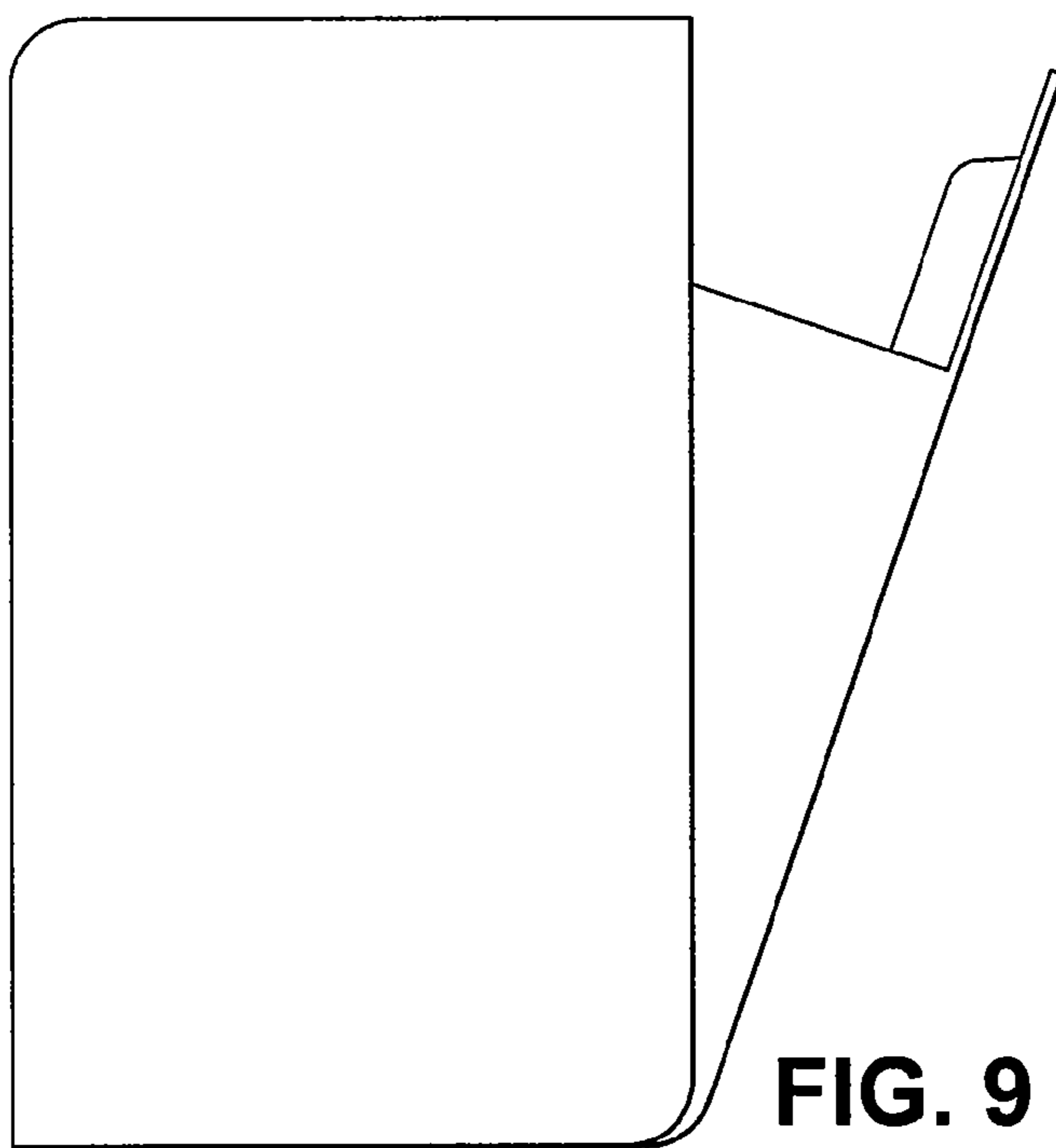


FIG. 9