



US00D649030S

(12) **United States Design Patent**
Austin, III

(10) **Patent No.:** **US D649,030 S**

(45) **Date of Patent:** **** Nov. 22, 2011**

(54) **GROUND ANCHOR**

(75) Inventor: **James Allen Austin, III**, High Point, NC
(US)

(73) Assignee: **Liberty Hardware Mfg. Corp.**,
Winston-Salem, NC (US)

(**) Term: **14 Years**

(21) Appl. No.: **29/384,754**

(22) Filed: **Feb. 3, 2011**

(51) **LOC (9) Cl.** **08-08**

(52) **U.S. Cl.** **D8/387**

(58) **Field of Classification Search** D8/387,
D8/388, 391; 411/378-379, 393-394, 411,
411/402-405, 178, 184, 188, 412, 481, 387.1;
52/156-157; 248/156, 545

See application file for complete search history.

(56) **References Cited**

U.S. PATENT DOCUMENTS

D42,602 S * 6/1912 Hagen D8/387
D52,511 S * 10/1918 Groh D8/387

2,084,239 A * 6/1937 Bradford 52/156
D378,052 S * 2/1997 Perreault D8/387
D550,072 S * 9/2007 Ardern D8/387
D642,900 S * 8/2011 McDuff et al. D8/385
2006/0060749 A1* 3/2006 Dahlstrom 248/545

* cited by examiner

Primary Examiner — Holly Baynham

Assistant Examiner — Sheryl Lane

(74) *Attorney, Agent, or Firm* — Lora J. Graentzdoerffer;
Nirav D. Parikh; Edgar A. Zarins

(57) **CLAIM**

The ornamental design for a ground anchor, as shown and described.

DESCRIPTION

FIG. 1 is a perspective view of a ground anchor showing my new design;

FIG. 2 is a front elevational view thereof;

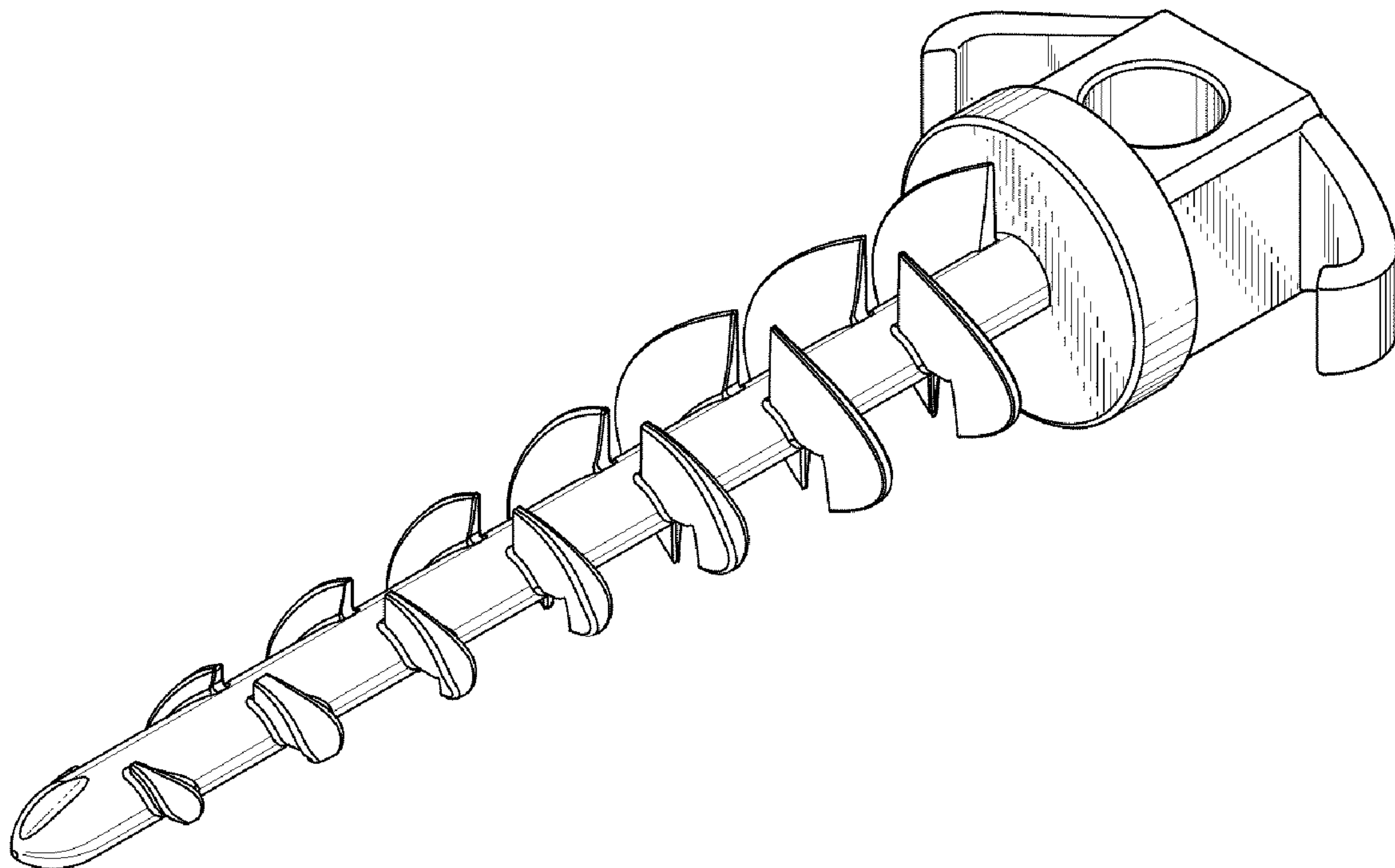
FIG. 3 is a left side elevational view thereof; the right side elevational view being a mirror image thereof;

FIG. 4 is another perspective view thereof;

FIG. 5 is a top plan view thereof; and,

FIG. 6 is a bottom plan view thereof.

1 Claim, 2 Drawing Sheets



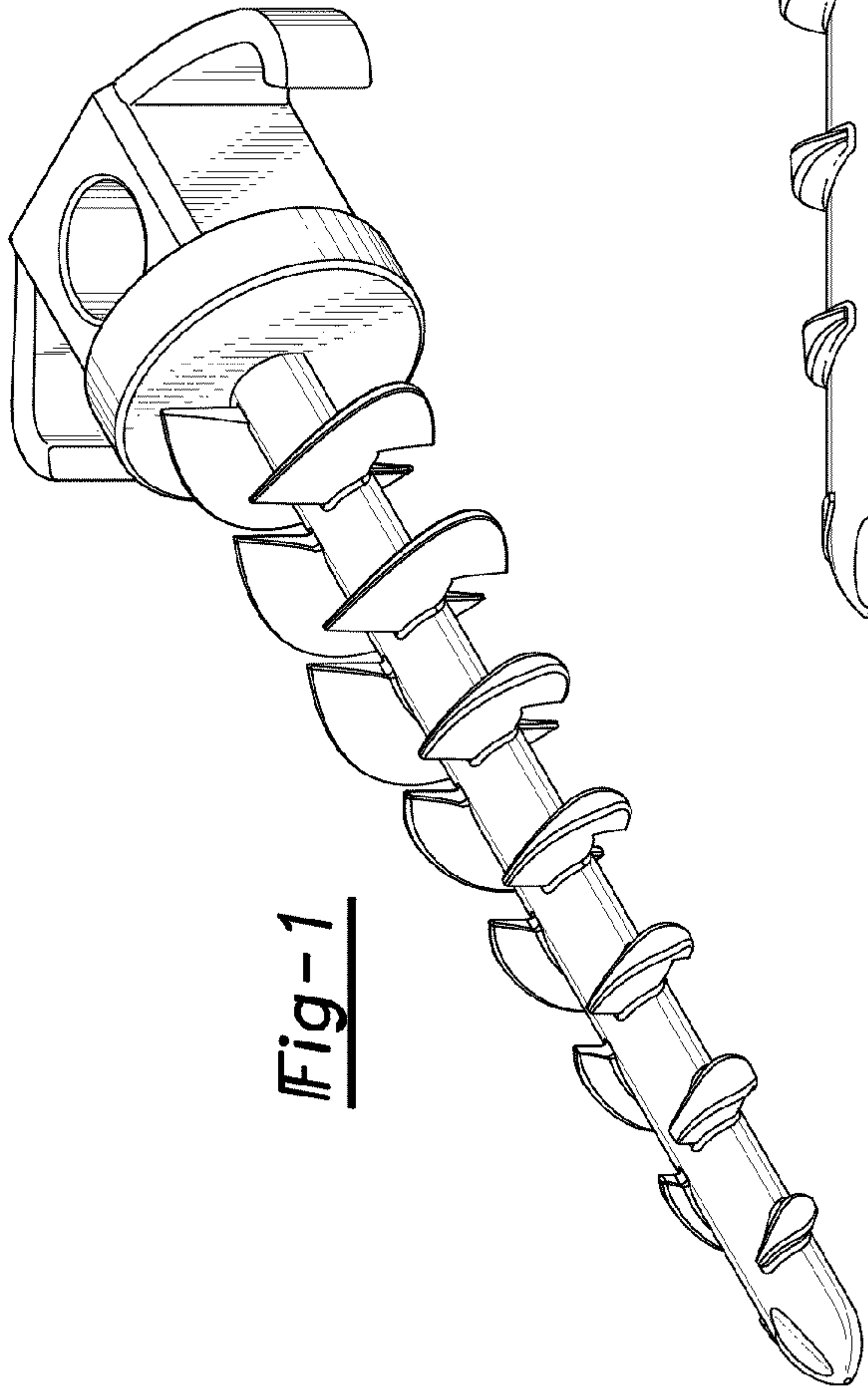


Fig-1

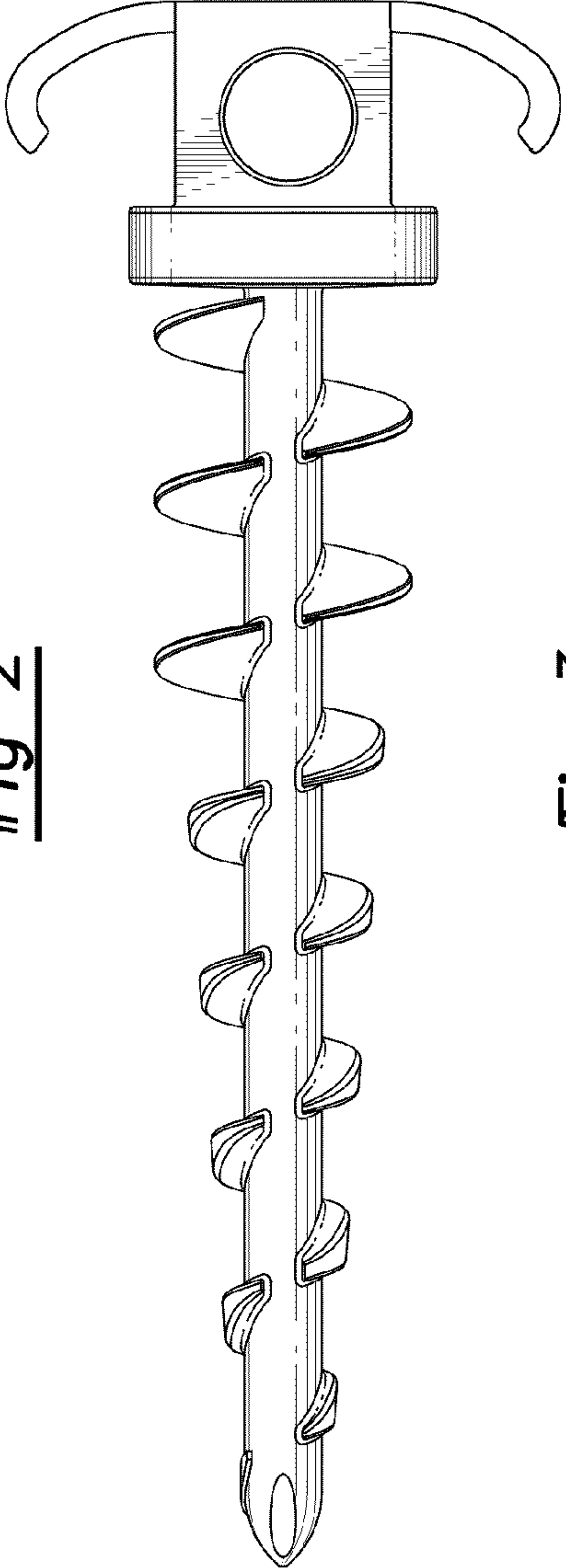


Fig-2

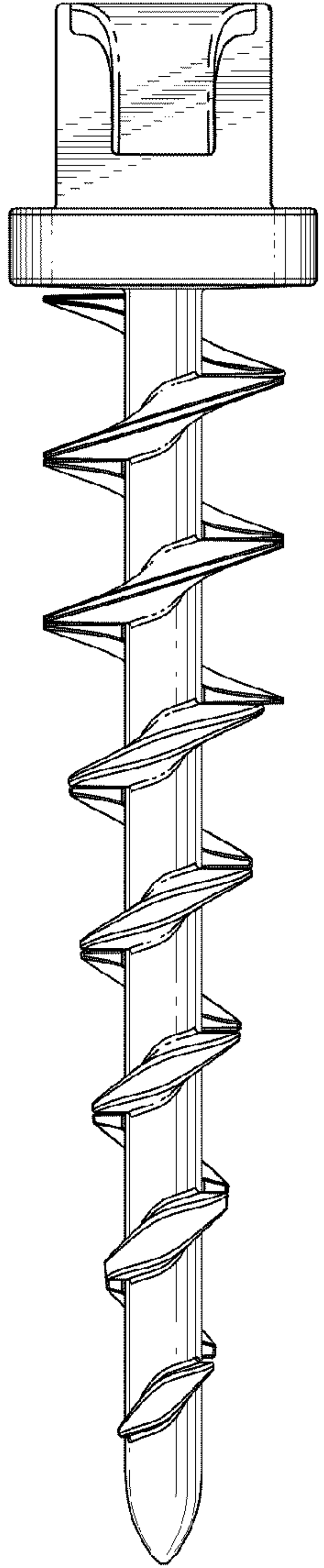


Fig-3

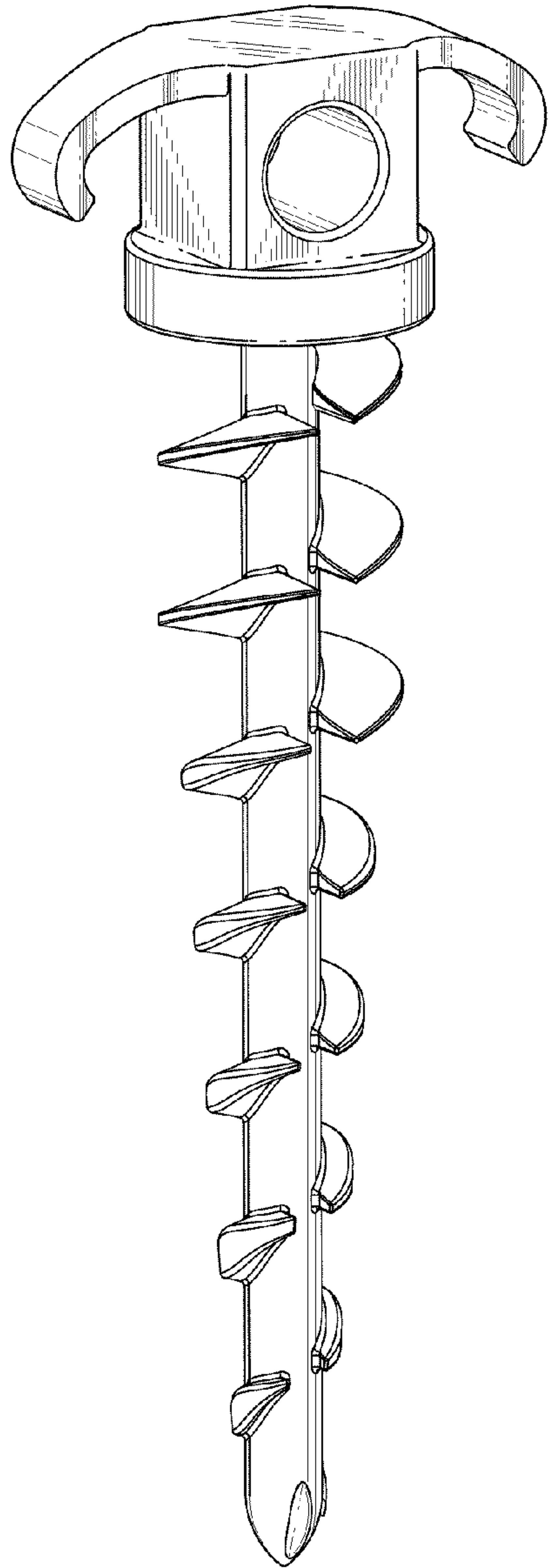


Fig-4

Fig-5

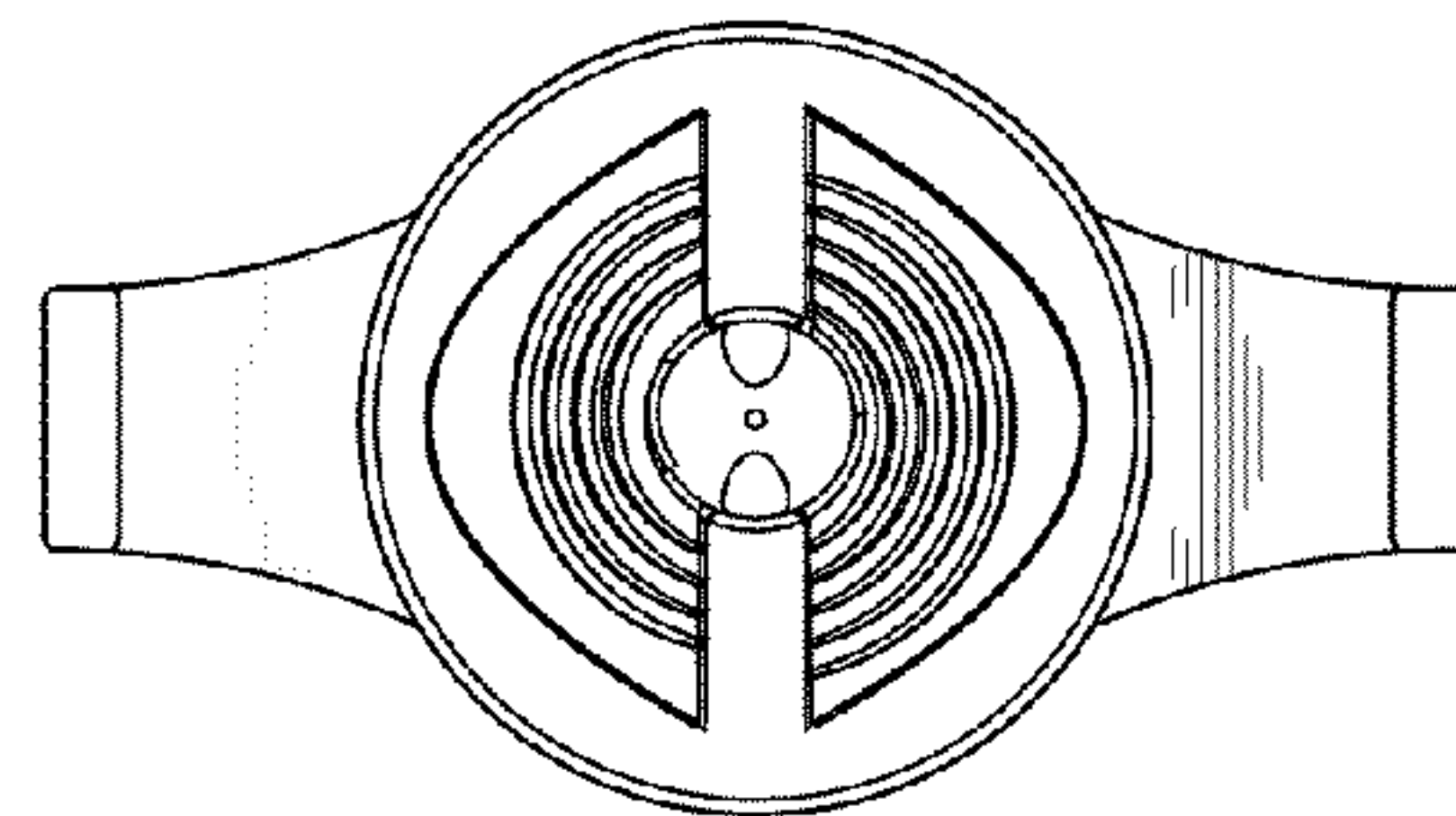
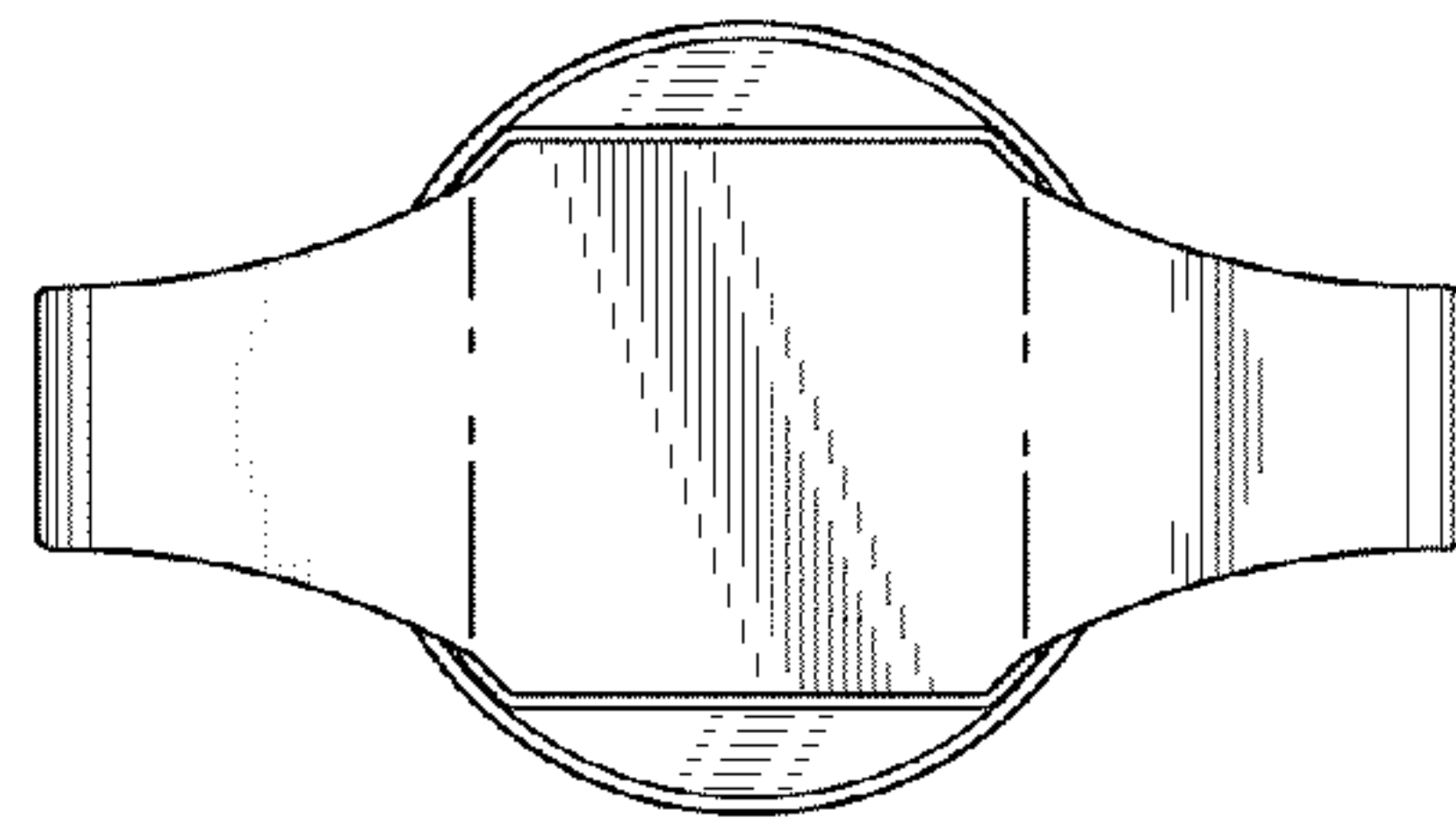


Fig-6