



US00D649029S

(12) **United States Design Patent**
Gallagher, Jr. et al.

(10) **Patent No.:** **US D649,029 S**

(45) **Date of Patent:** **** Nov. 22, 2011**

(54) **STOPPER CLIP**

(75) **Inventors:** **William K. Gallagher, Jr.**, Oakland, CA (US); **Lori Bonn Gallagher**, Oakland, CA (US); **Sabrina Ferrand**, San Rafael, CA (US)

(73) **Assignee:** **Lori Bonn Design, Inc.**, Oakland, CA (US)

(**) **Term:** **14 Years**

(21) **Appl. No.:** **29/376,048**

(22) **Filed:** **Sep. 30, 2010**

(51) **LOC (9) Cl.** **08-08**

(52) **U.S. Cl.** **D8/383**

(58) **Field of Classification Search** D8/383;
D11/200, 201, 216, 206, 213, 222, 218, 6,
D11/87, 94; 24/115 R, 115 H, 200, 196,
24/171, 169, 112, 163 R, 350, 265 R, 30.5 P,
24/543; 63/3, 3.1

See application file for complete search history.

(56) **References Cited**

U.S. PATENT DOCUMENTS

4,038,726	A *	8/1977	Takabayashi	24/198
D264,828	S *	6/1982	Gray	D11/87
4,590,649	A	5/1986	Neilson, Jr.		
4,656,697	A *	4/1987	Naslund	24/30.5 P
D323,102	S *	1/1992	Kipling	D8/331
D331,725	S *	12/1992	Mastoloni	D11/87
5,548,878	A *	8/1996	Romagnoli	24/306
5,687,585	A *	11/1997	Ferrell	63/21
5,706,560	A *	1/1998	Anscher et al.	24/543
5,960,522	A *	10/1999	Boe	24/543
5,979,095	A *	11/1999	Schneider et al.	40/633

6,223,559	B1	5/2001	Coleman		
D466,433	S *	12/2002	Goto	D11/87
D499,330	S *	12/2004	Peato	D8/383
7,007,507	B2 *	3/2006	Enevoldsen	63/3.1
7,249,397	B2 *	7/2007	Abels et al.	24/132 R
D585,331	S *	1/2009	Kumazaki et al.	D11/216
7,540,172	B2	6/2009	Julkowski et al.		
D627,001	S *	11/2010	de Niet	D20/22
2002/0144514	A1	10/2002	Rapport		
2004/0144131	A1 *	7/2004	Enevoldsen	63/3
2006/0260300	A1	11/2006	Julkowski et al.		

* cited by examiner

Primary Examiner — Holly Baynham

Assistant Examiner — Sheryl Lane

(74) *Attorney, Agent, or Firm* — James F. Hann; Haynes Beffel & Wolfeld LLP

(57) **CLAIM**

The ornamental design for a stopper clip, as shown and described.

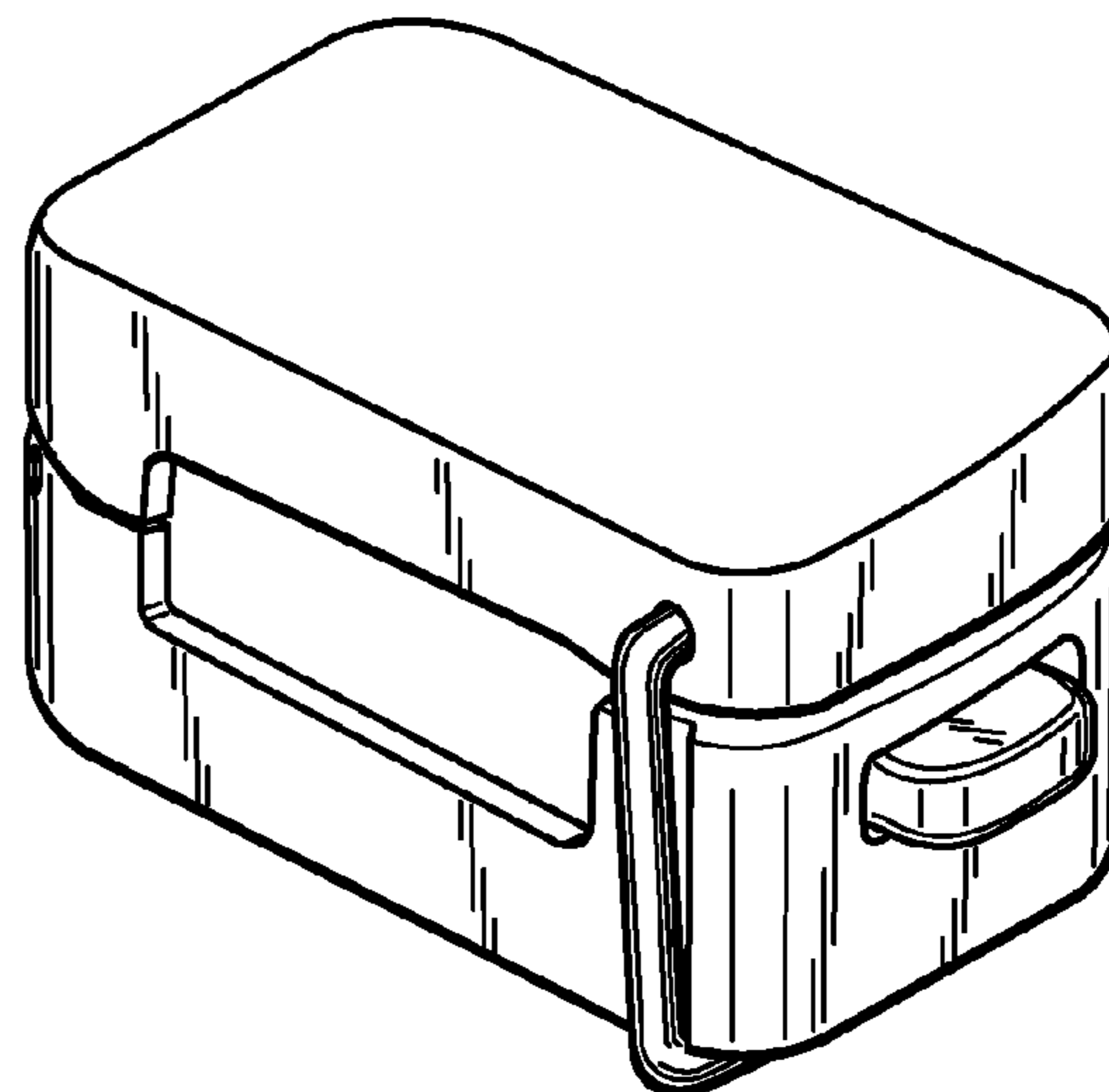
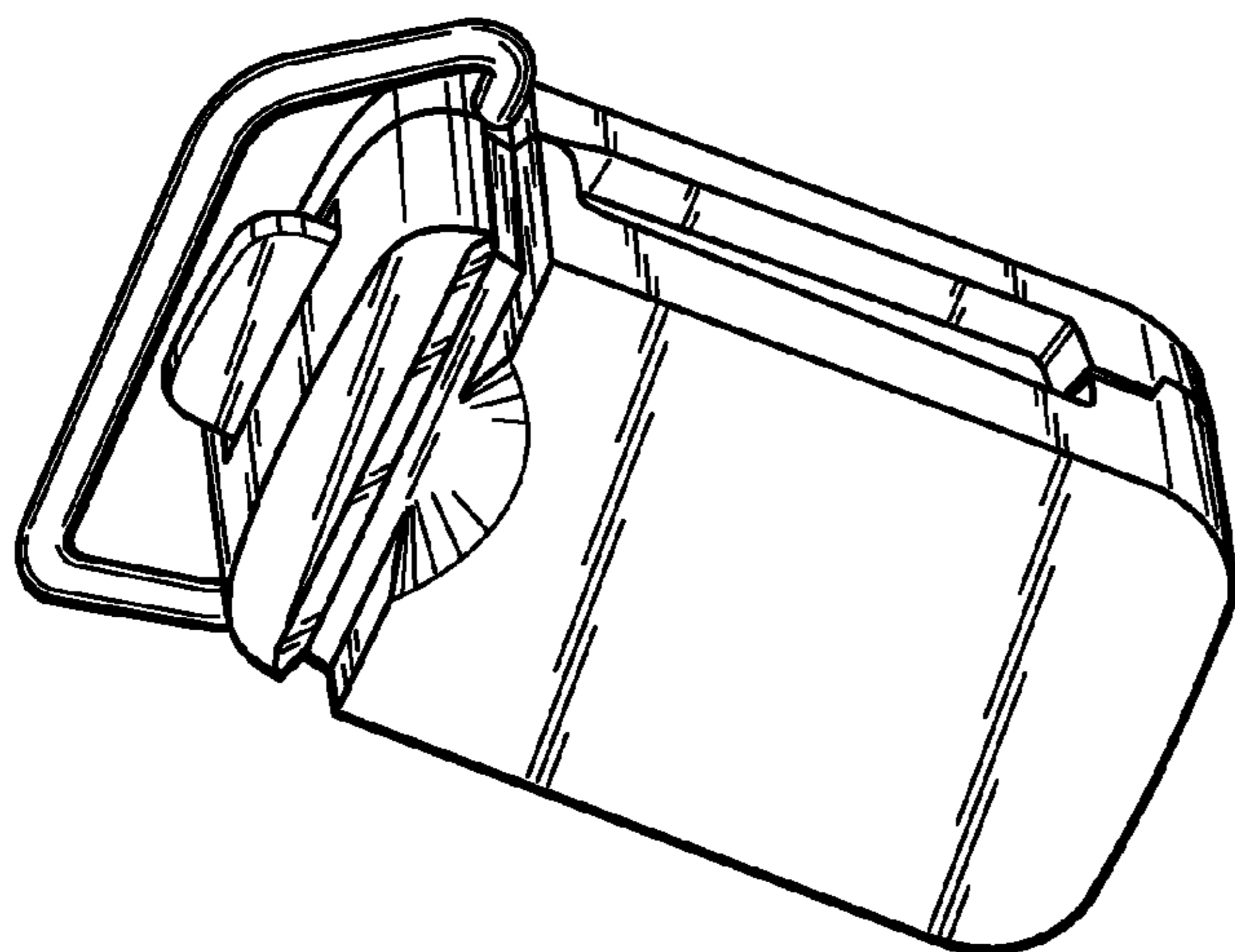
DESCRIPTION

This is related to our copending U.S. patent application Ser. Nos. 29/376,049 and 29/376,050 entitled Stopper Clip and Bracelet Stopper Clip, both filed on the same date as this application, the applications having a common assignee, the disclosures of which is incorporated by reference.

FIG. 1 is a perspective view of the stopper clip including the safety latch shown in the unlatched position; and, FIG. 2 is a perspective view of the stopper clip including the safety latch shown in the latched position.

The broken line showings of functional elements, bracelet and charms are for illustrative purposes only and form no part of the claimed design.

1 Claim, 1 Drawing Sheet



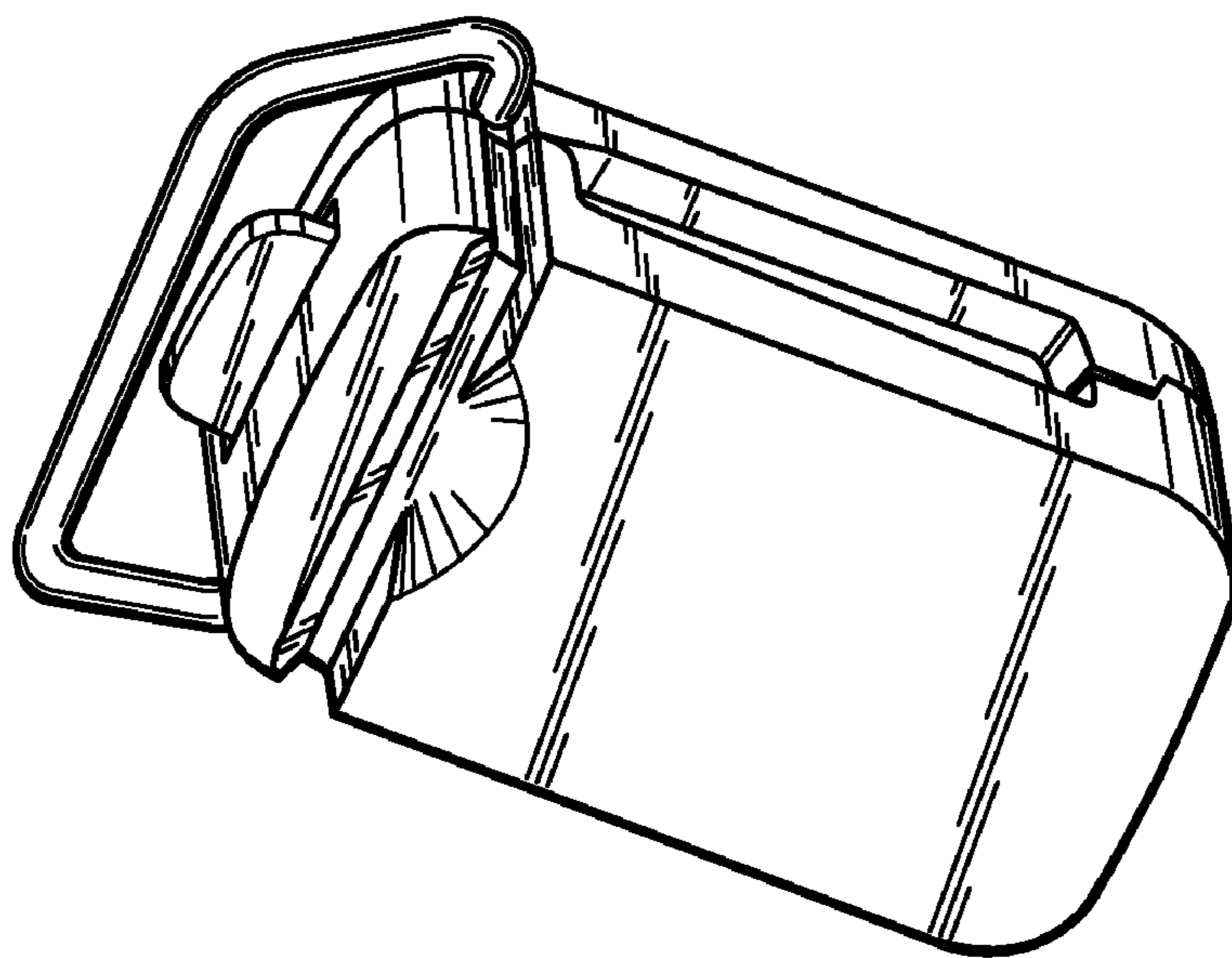


FIG. 1

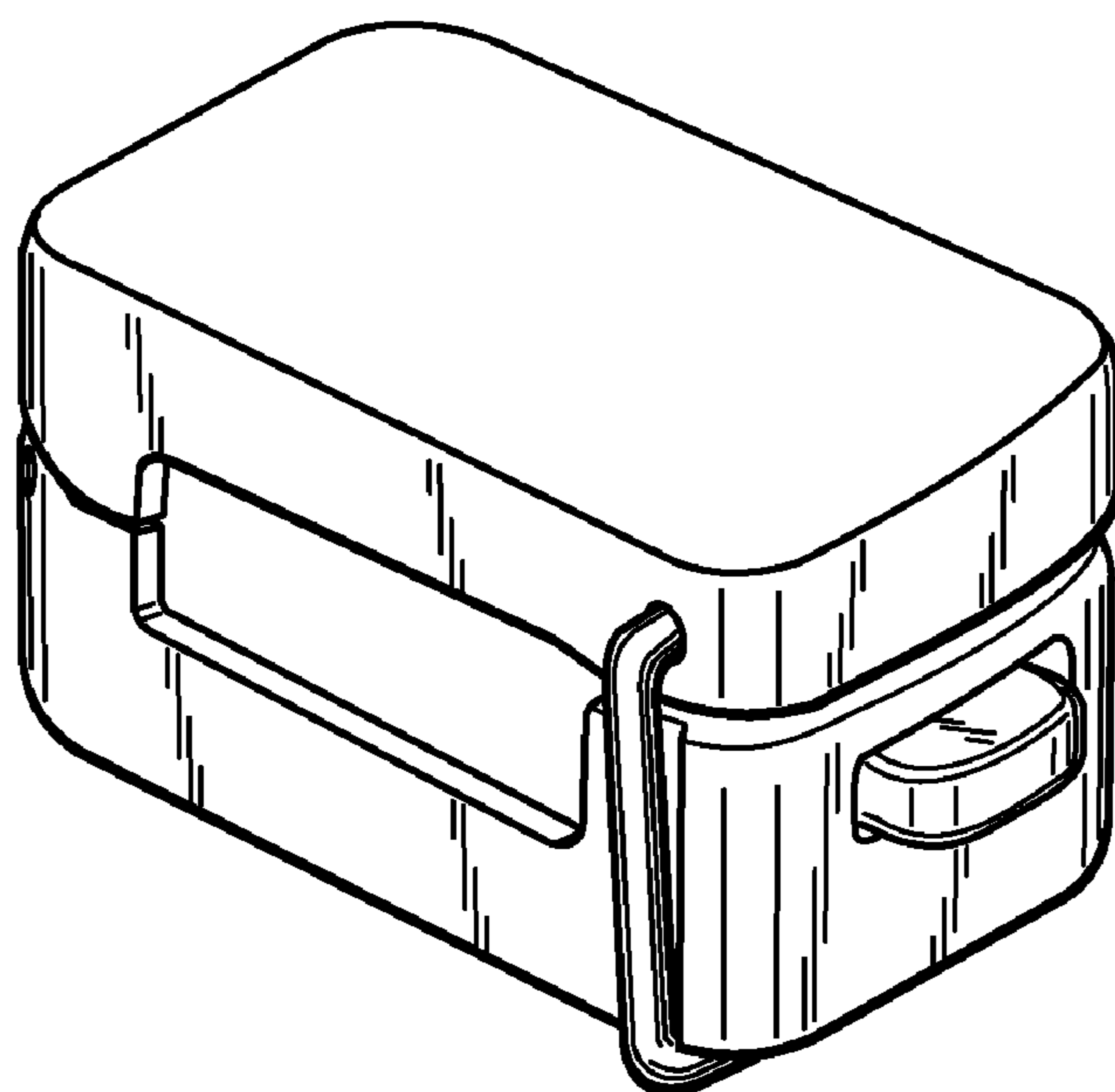


FIG. 2