



US00D649028S

(12) **United States Design Patent**  
**Nielsen**

(10) **Patent No.:** **US D649,028 S**

(45) **Date of Patent:** **\*\* Nov. 22, 2011**

(54) **COMBINATION OF A COUPLING AND A COUPLING RECEIVER**

(74) *Attorney, Agent, or Firm* — Brinks Hofer Gilson & Lione

(75) Inventor: **Bent Nielsen**, Brøndby (DK)

(57) **CLAIM**  
The ornamental design for a combination of a coupling and a coupling receiver, as shown and described.

(73) Assignee: **Nadiro A/S**, Copenhagen K (DK)

(\*\*) Term: **14 Years**

**DESCRIPTION**

(21) Appl. No.: **29/356,541**

(22) Filed: **Feb. 26, 2010**

(30) **Foreign Application Priority Data**

Aug. 28, 2009 (EM) ..... 001605197

(51) **LOC (9) Cl.** ..... **08-08**

(52) **U.S. Cl.** ..... **D8/382**

(58) **Field of Classification Search** ..... D8/382,  
D8/349; 248/200, 300; 403/76, 90, 114,  
403/122

See application file for complete search history.

FIG. 1 is a front view of a coupling of my new design;  
FIG. 2 is a top view, thereof;  
FIG. 3 is a bottom view, thereof;  
FIG. 4 is a top perspective view, thereof;  
FIG. 5 is a bottom perspective view, thereof;  
FIG. 6 is a front view of a coupling receiver;  
FIG. 7 is a left side view, thereof;  
FIG. 8 is a rear view, thereof;  
FIG. 9 is a top view, thereof;  
FIG. 10 is a bottom view, thereof;  
FIG. 11 is a front perspective view, thereof;  
FIG. 12 is a rear perspective view, thereof;  
FIG. 13 is a front view of the coupling of FIG. 1 inserted into the coupling receiver of FIG. 6;  
FIG. 14 is a right side view, thereof;  
FIG. 15 is a rear view, thereof;  
FIG. 16 is a left side view, thereof;  
FIG. 17 is a top view, thereof;  
FIG. 18 is a bottom view, thereof;  
FIG. 19 is a front perspective view, thereof; and,  
FIG. 20 is a rear perspective view thereof.  
FIGS. 1-12 are shown separated for ease of illustration.

(56) **References Cited**

**U.S. PATENT DOCUMENTS**

7,025,315 B2\* 4/2006 Carnevali ..... 248/276.1

2003/0098401 A1\* 5/2003 Carnevali ..... 248/276.1

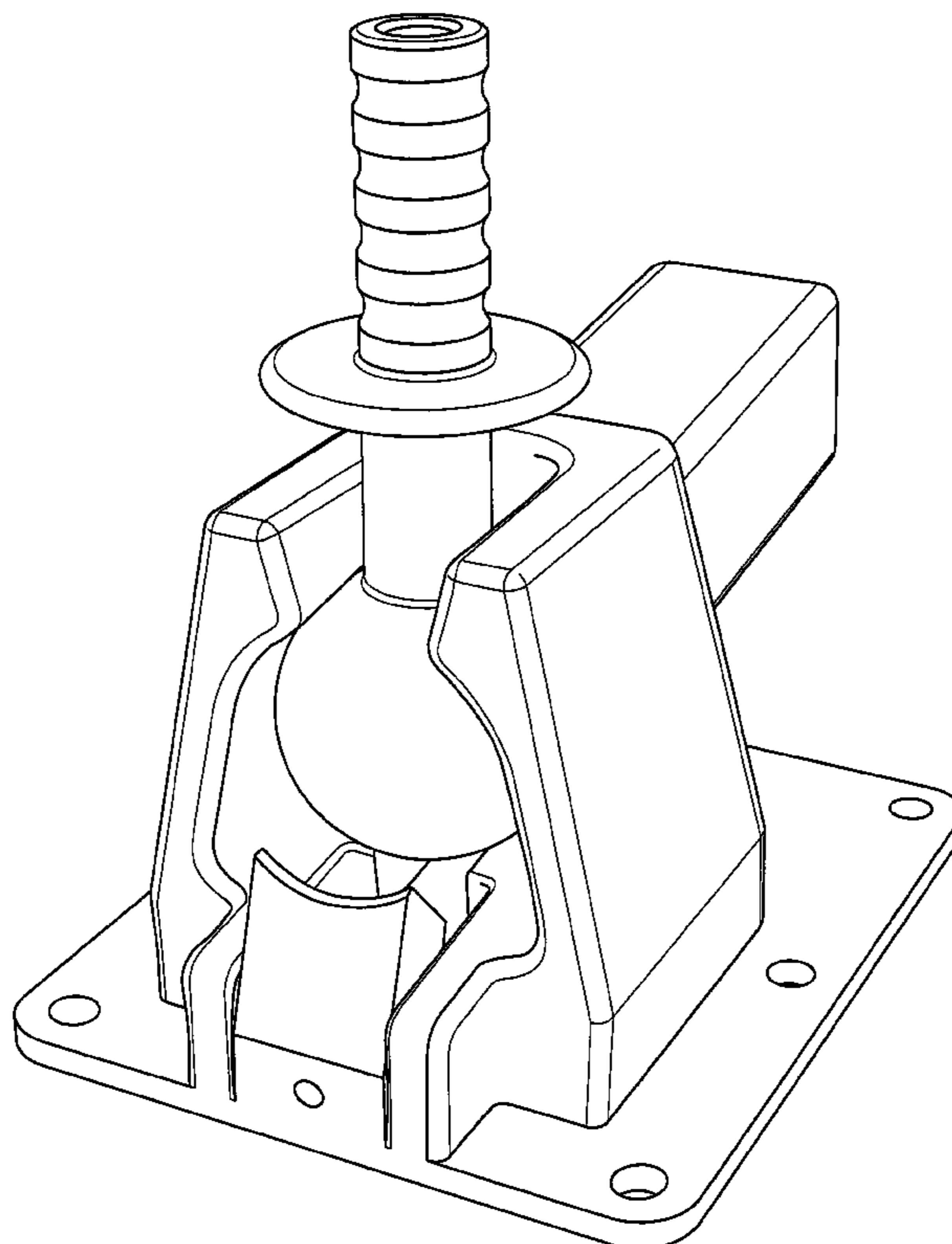
2008/0286477 A1\* 11/2008 Hattori ..... 427/406

\* cited by examiner

*Primary Examiner* — Holly Baynham

*Assistant Examiner* — Sheryl Lane

**1 Claim, 20 Drawing Sheets**



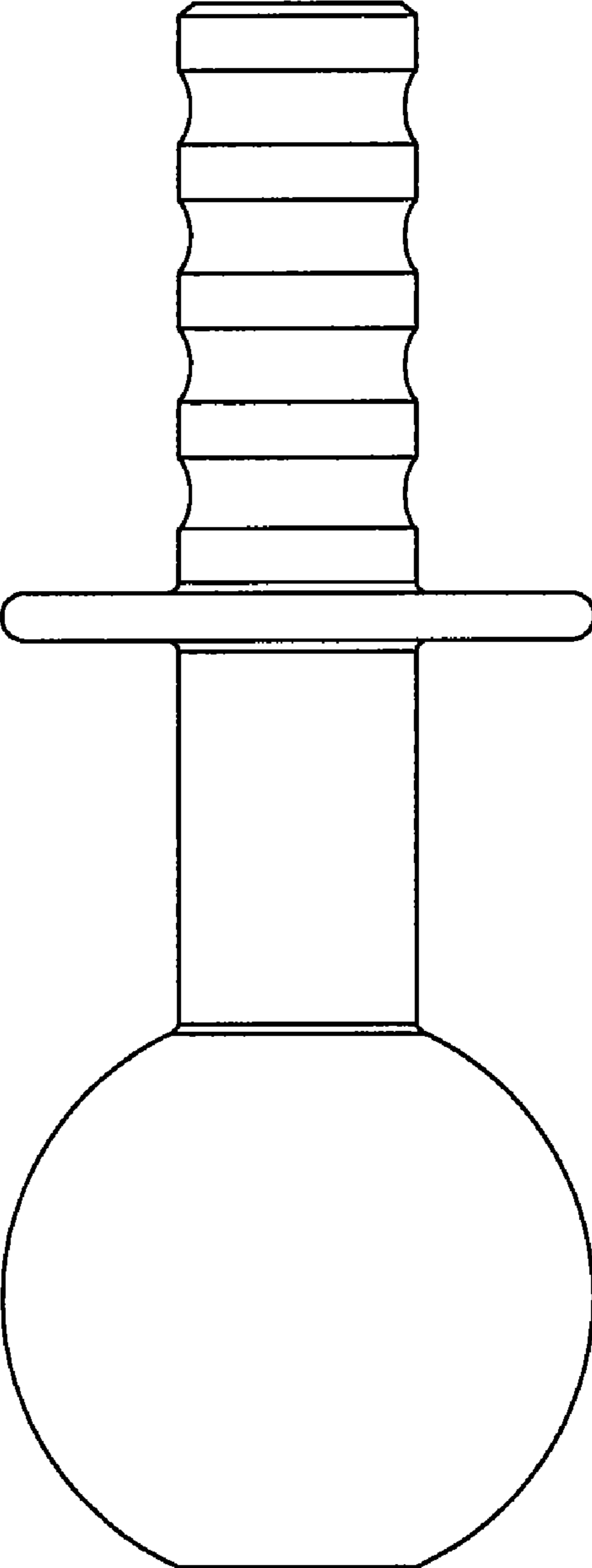


Fig. 1

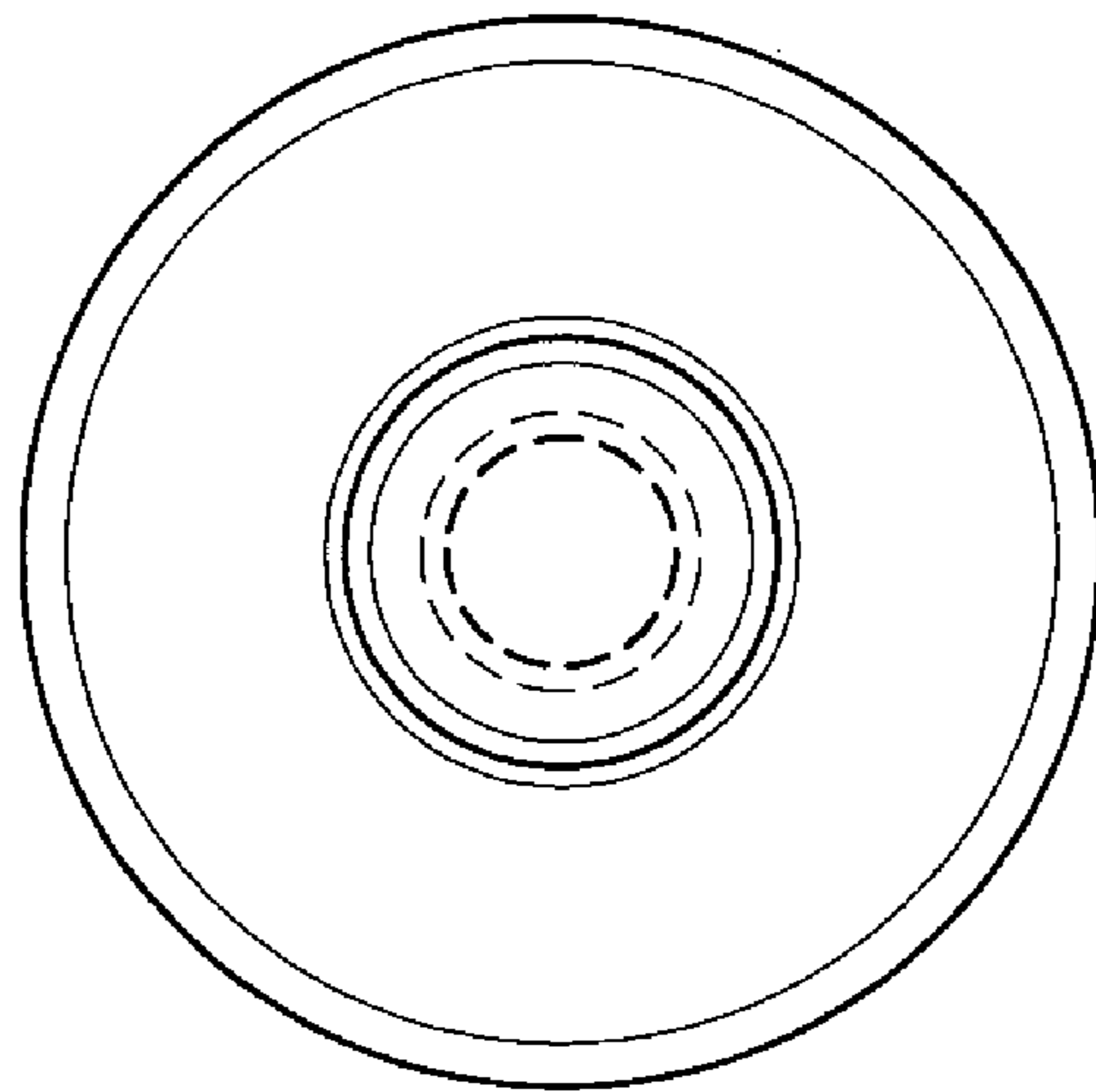


Fig. 2

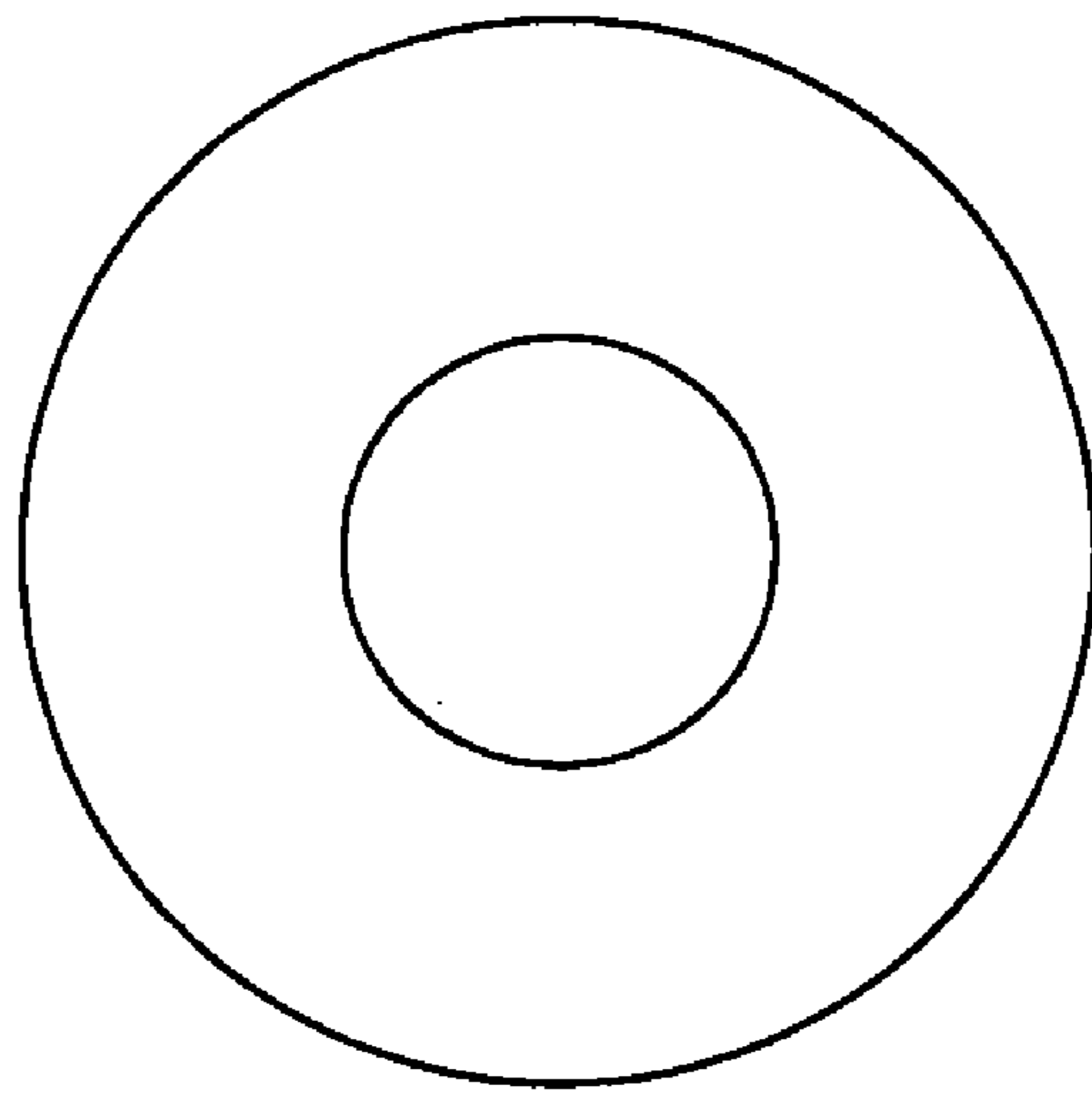


Fig. 3

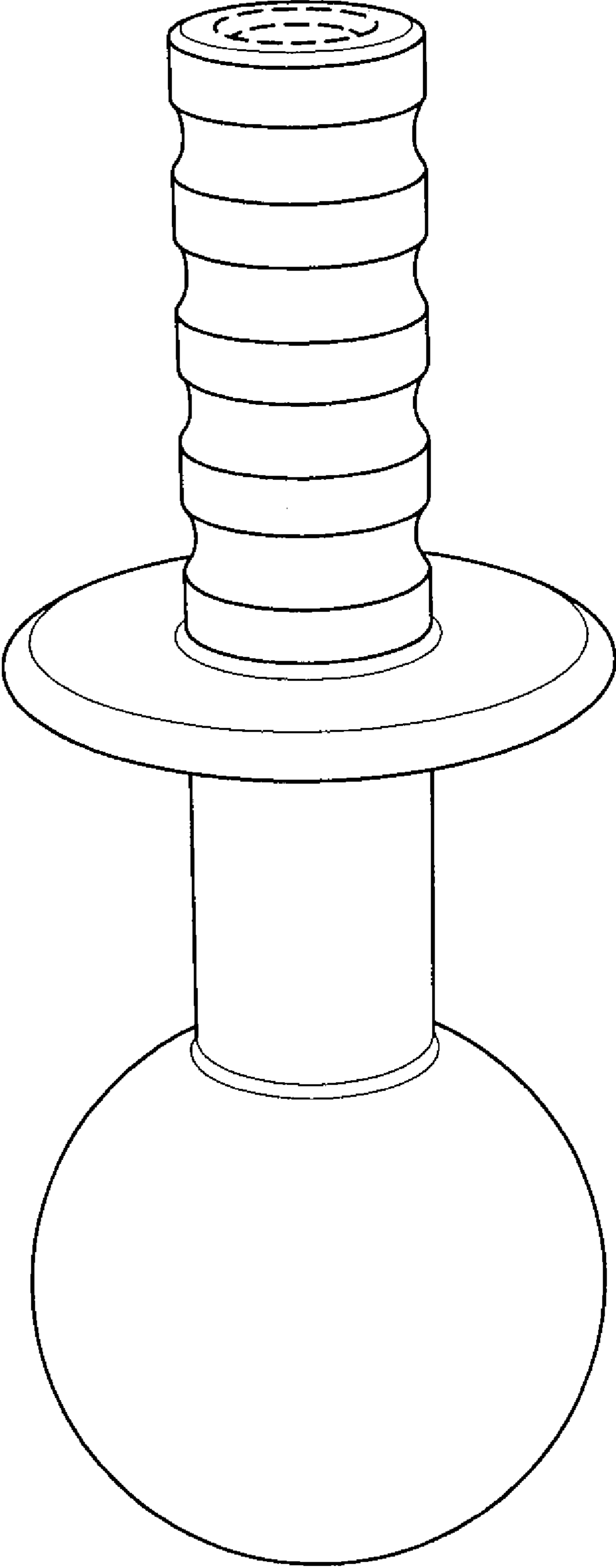


Fig. 4

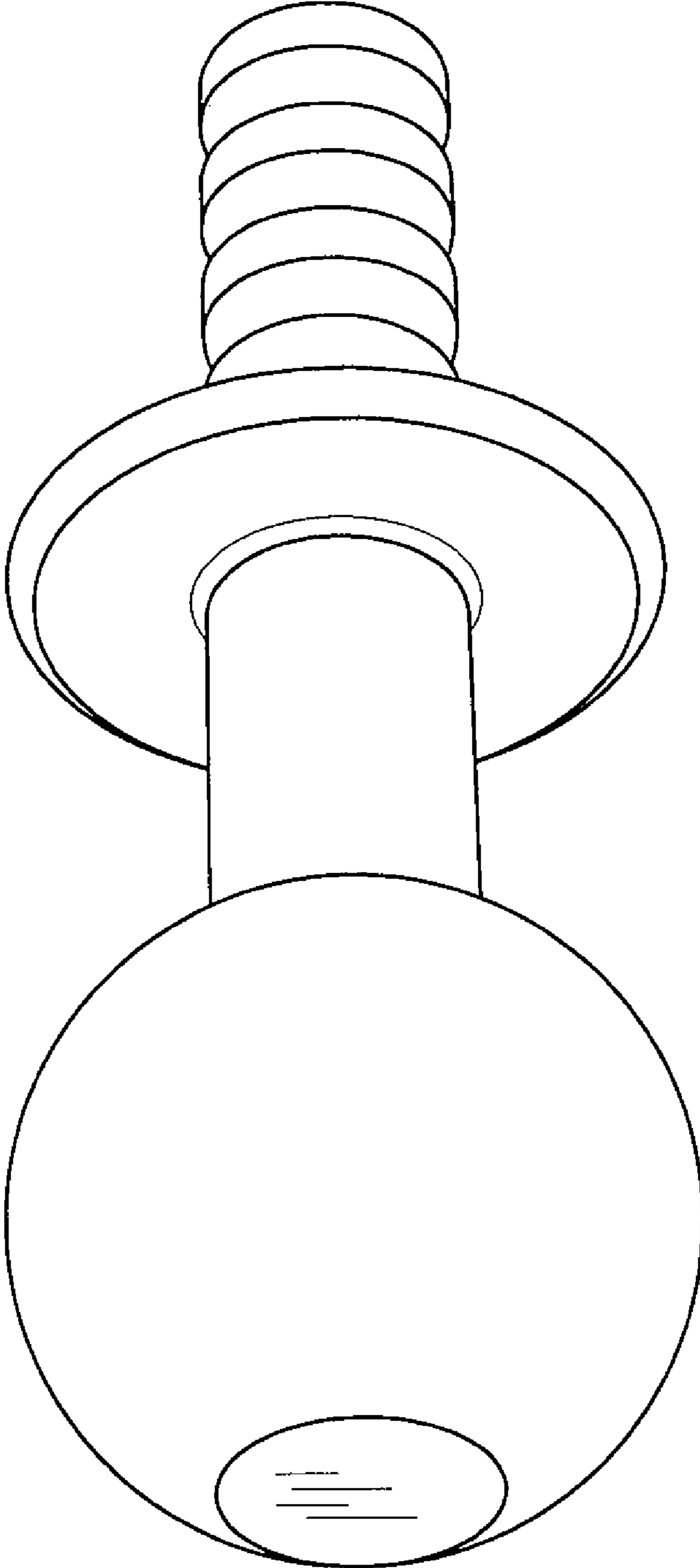


Fig. 5

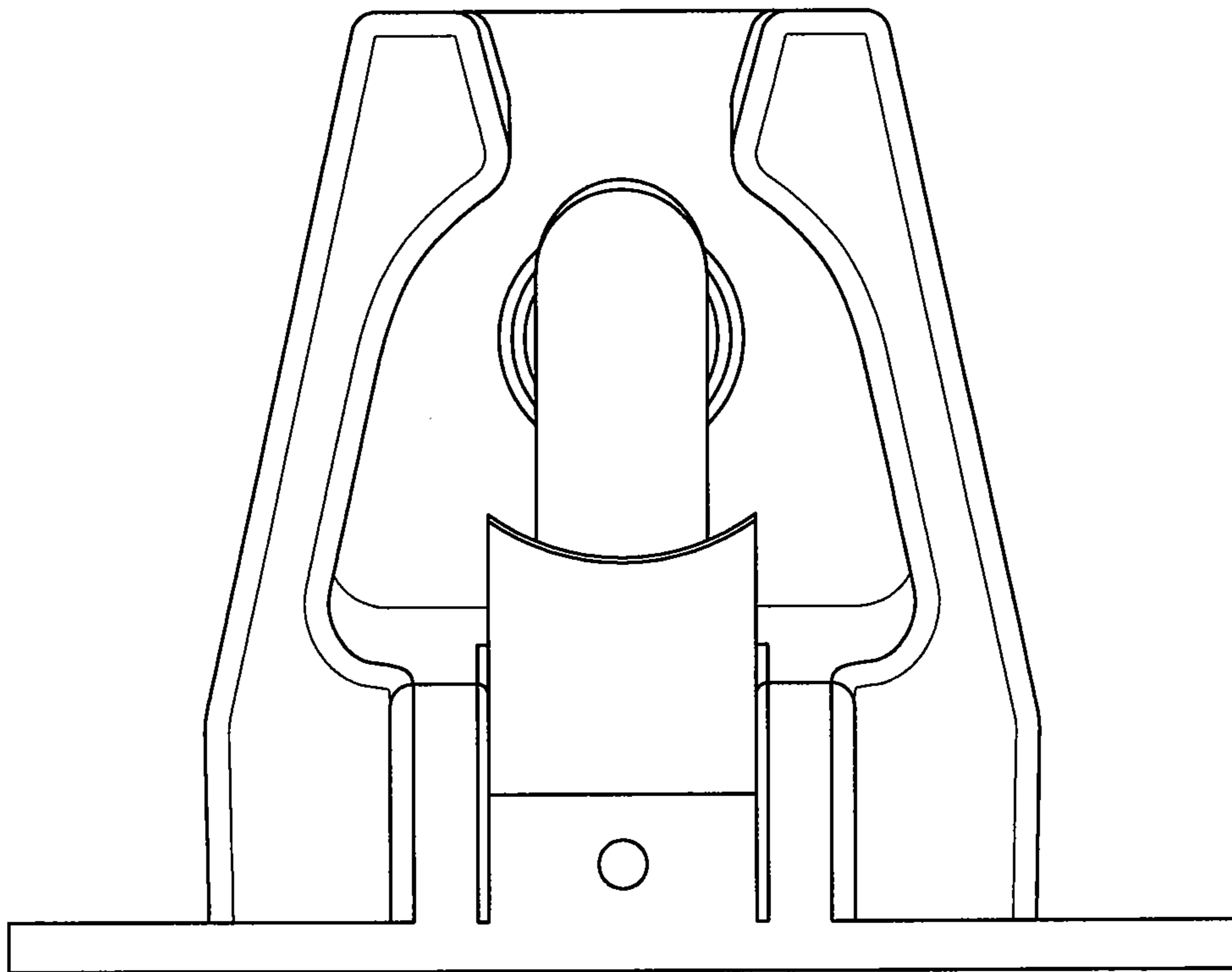


Fig. 6

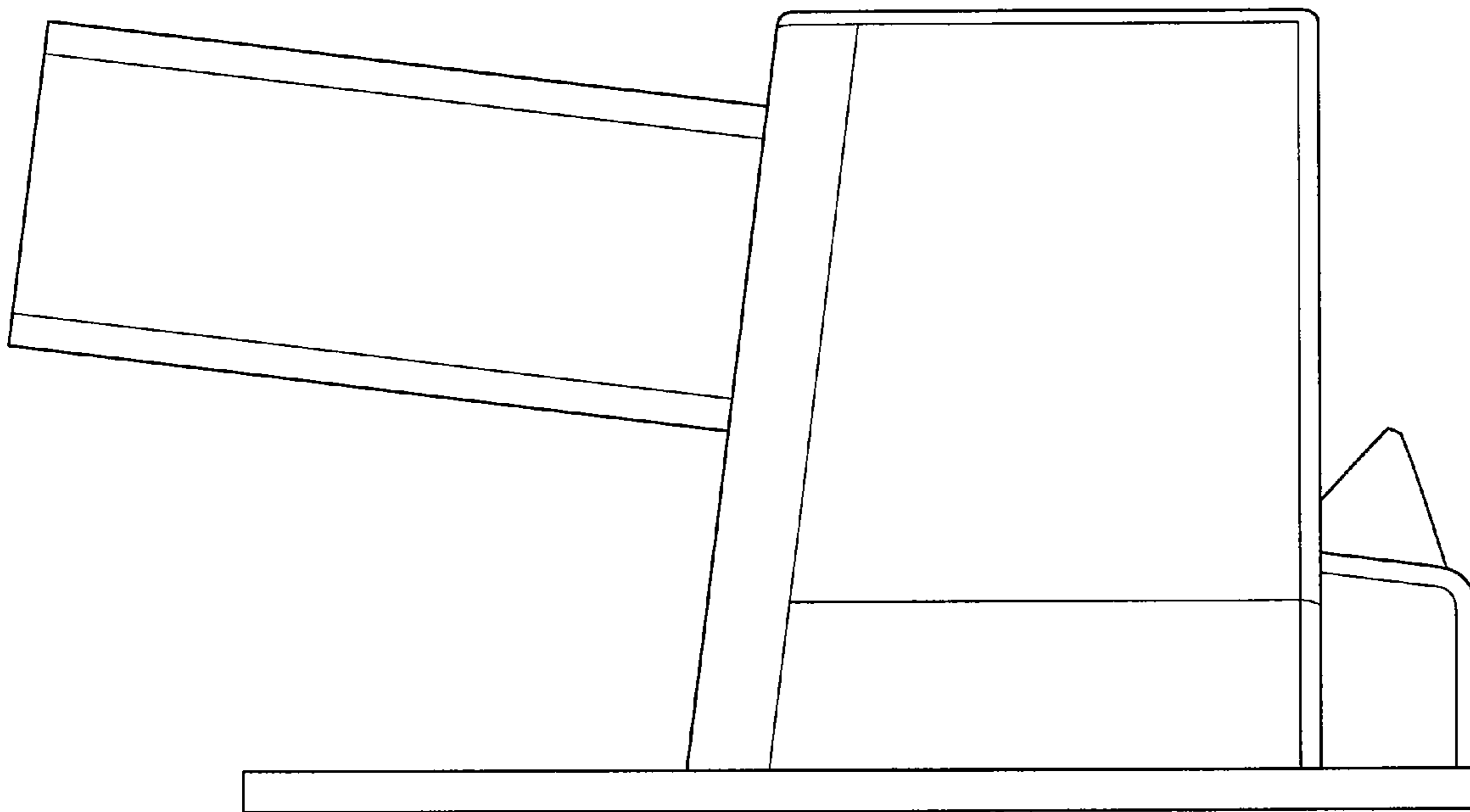


Fig. 7



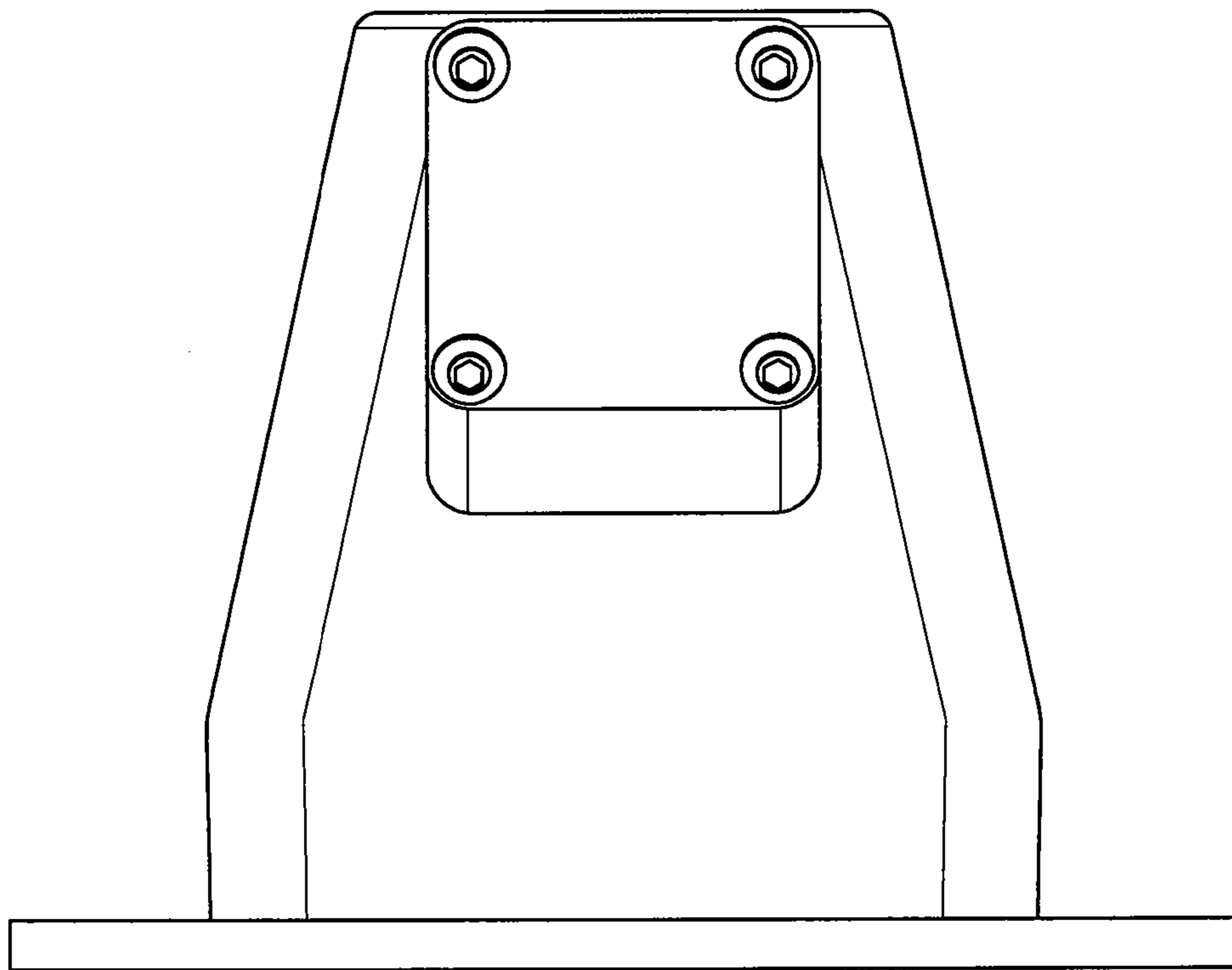


Fig. 8

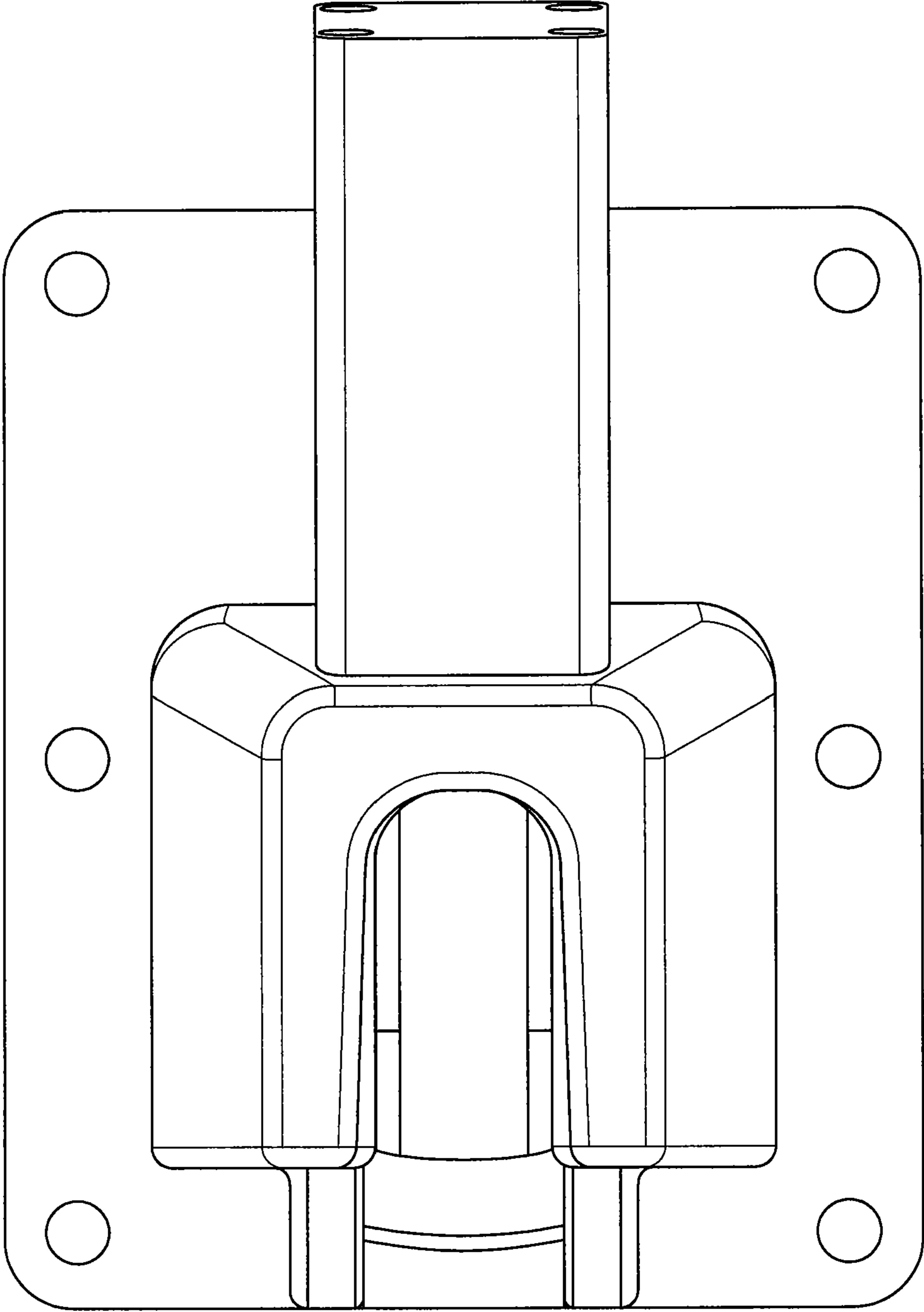


Fig. 9

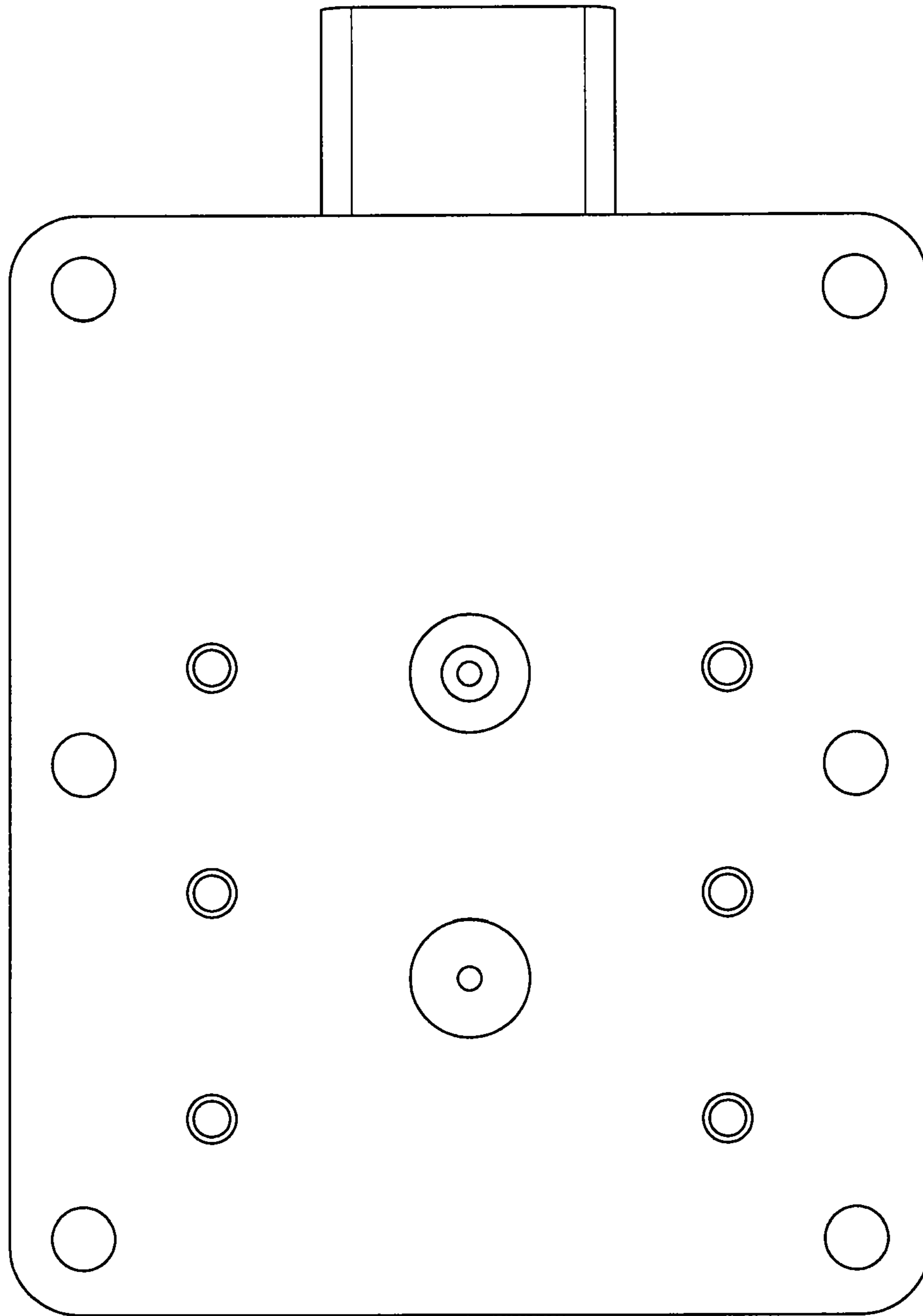


Fig. 10

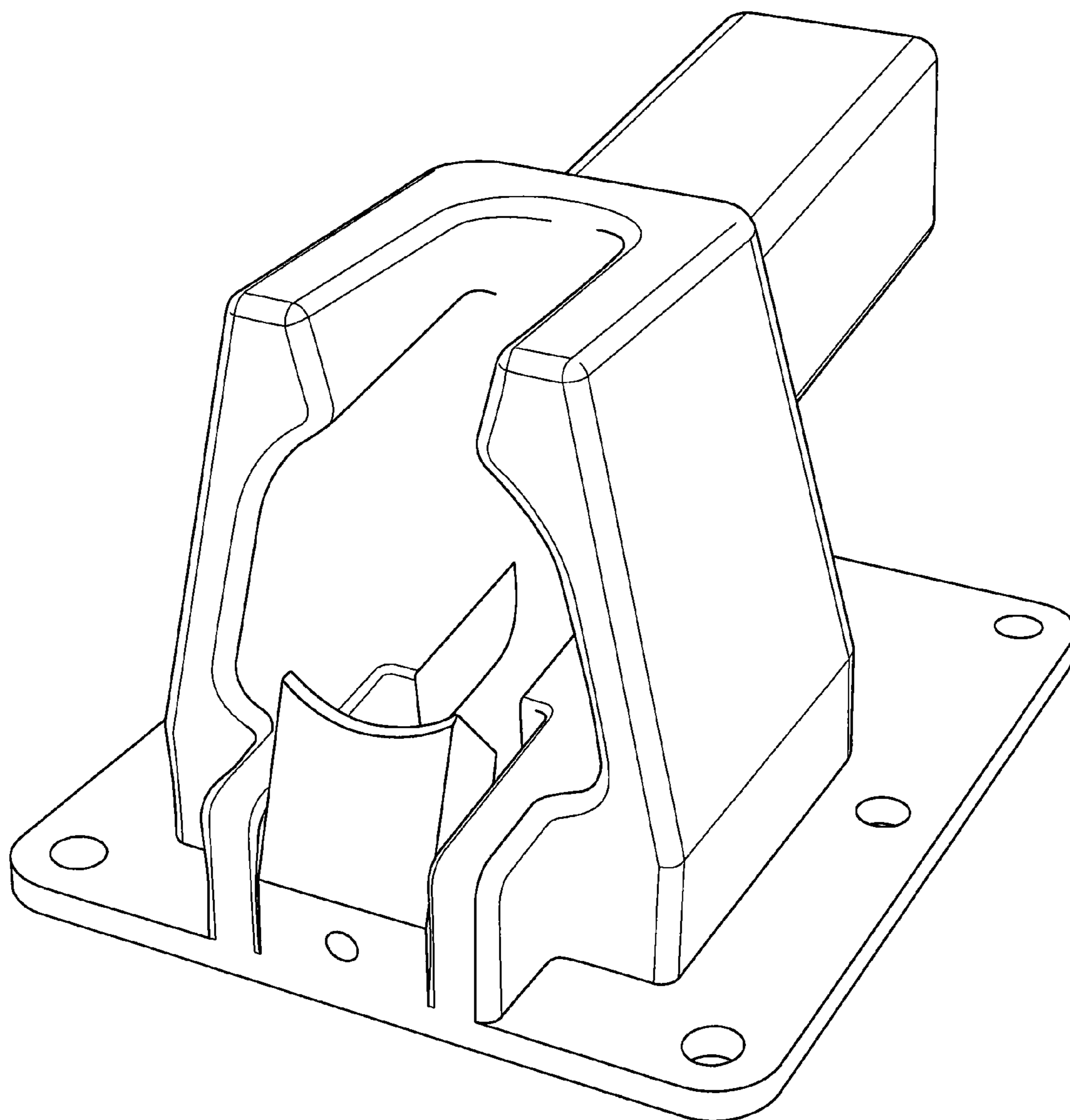


Fig. 11

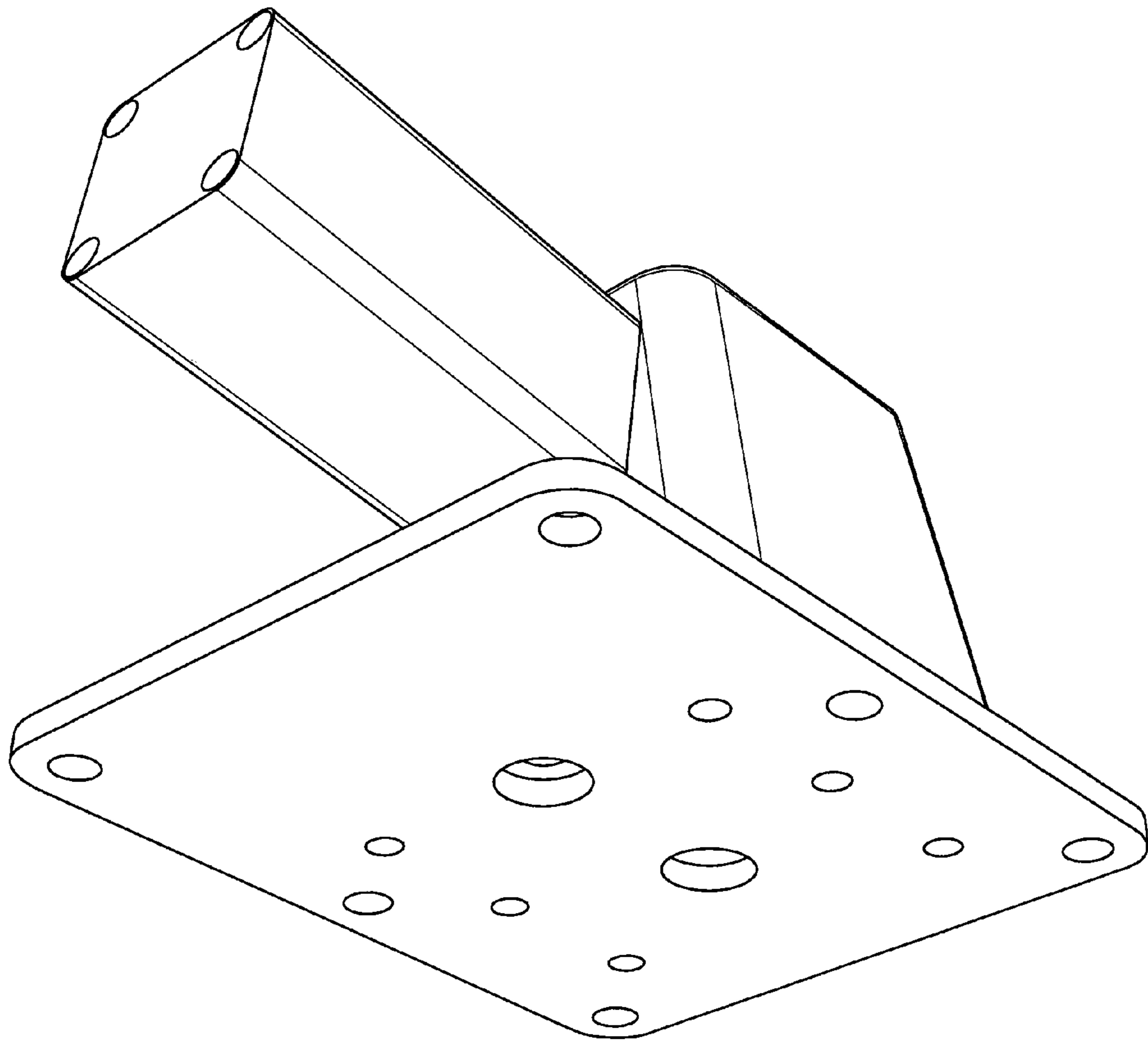


Fig. 12

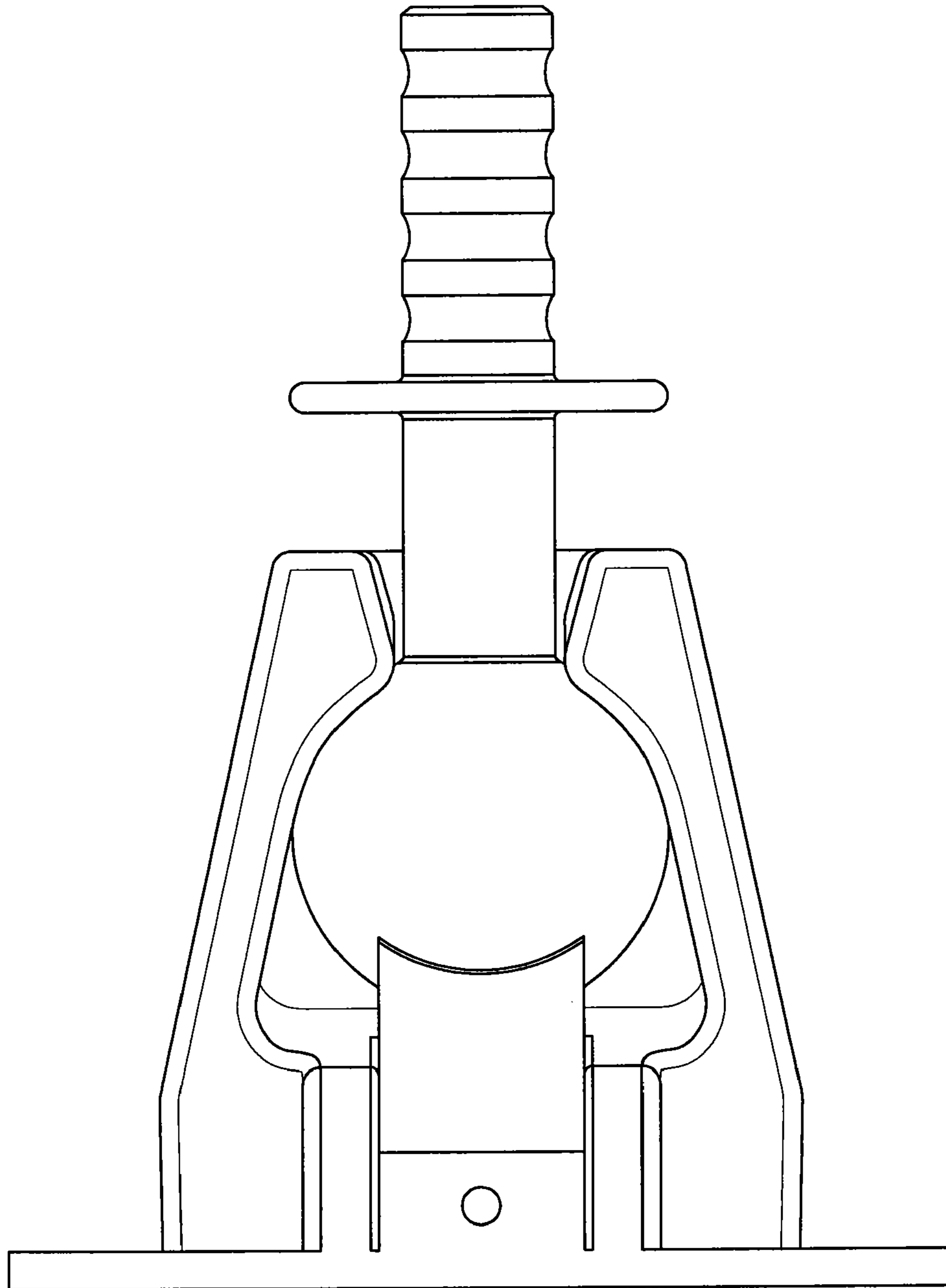


Fig. 13

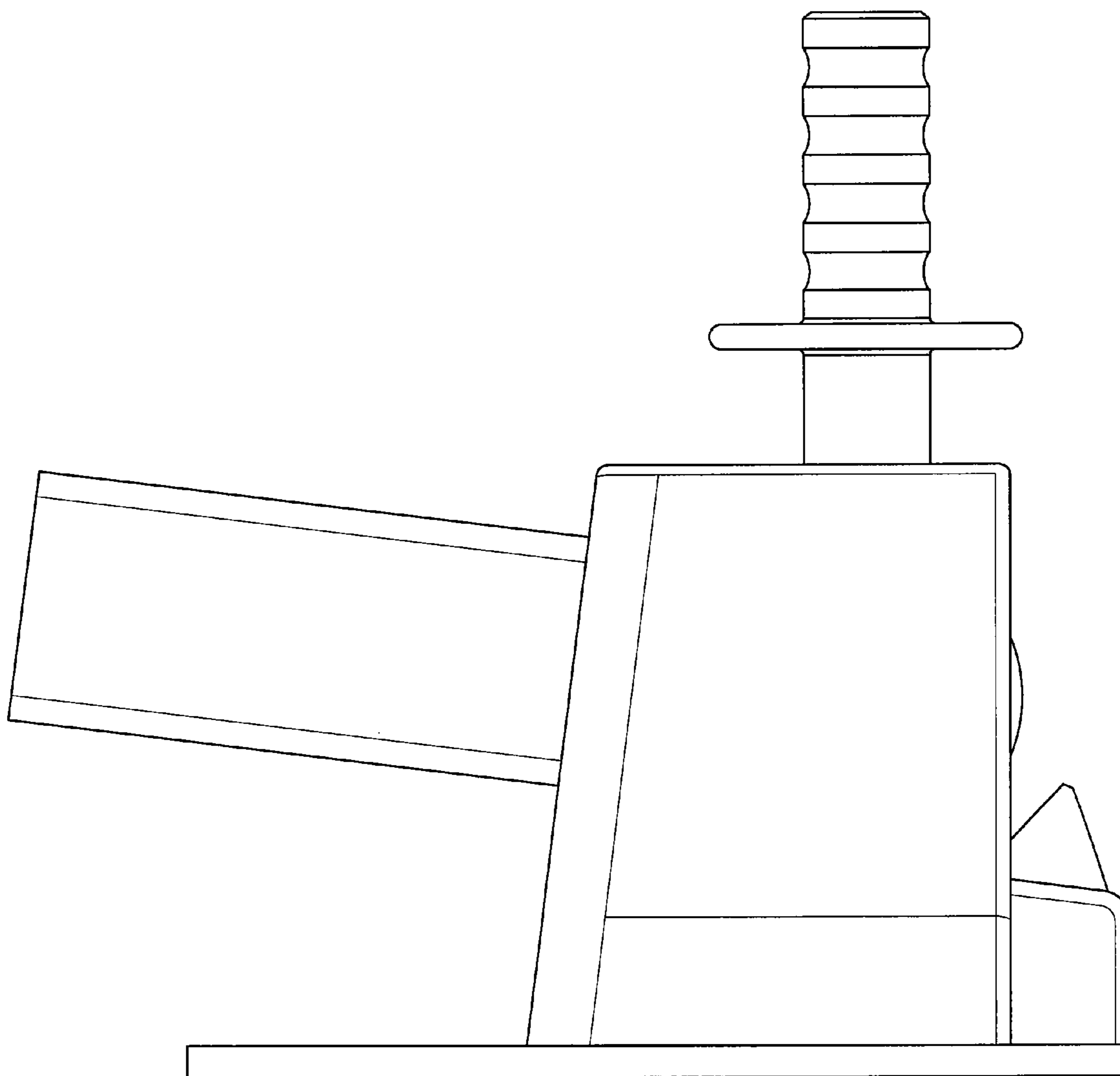


Fig. 14

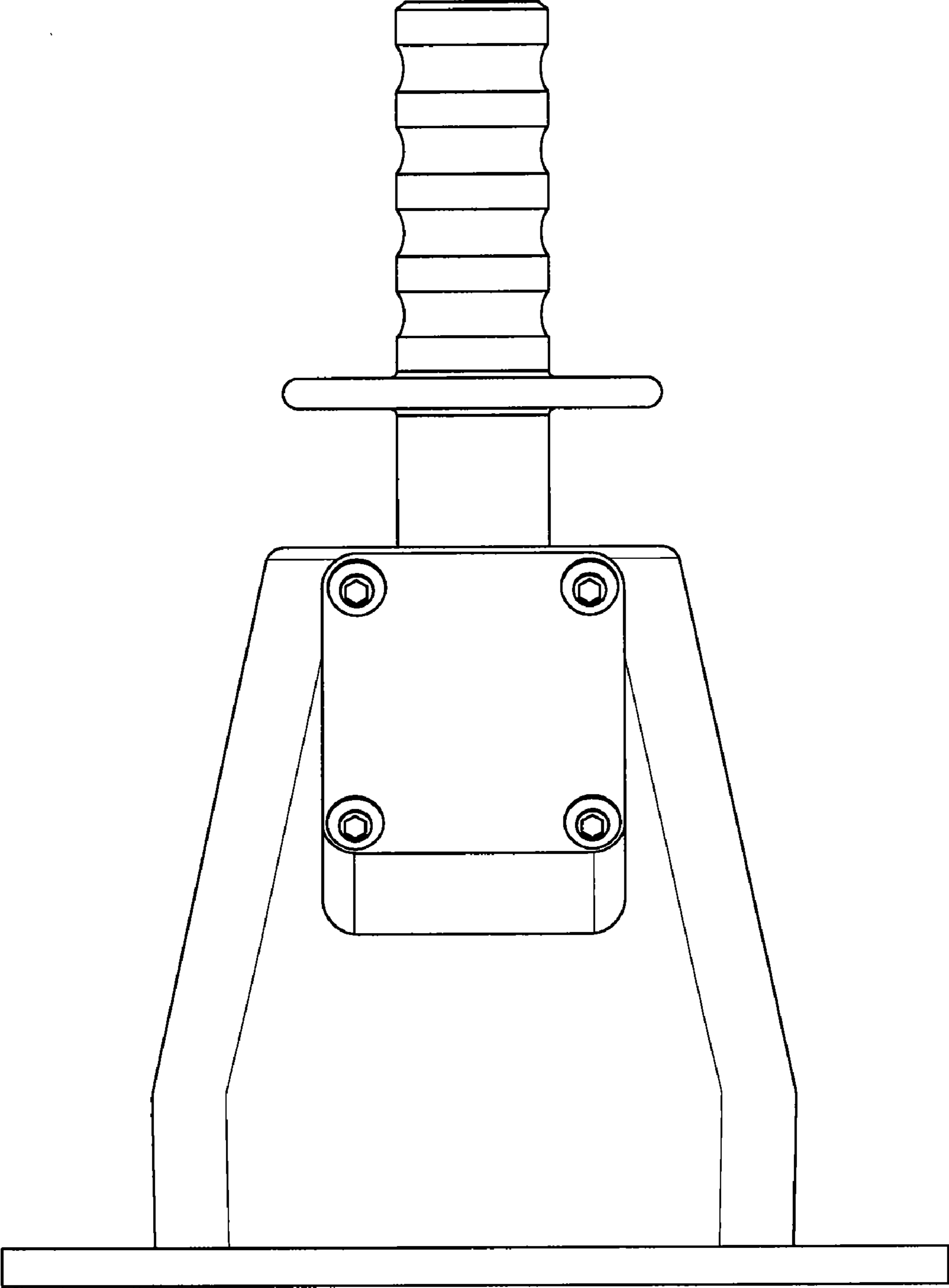


Fig. 15



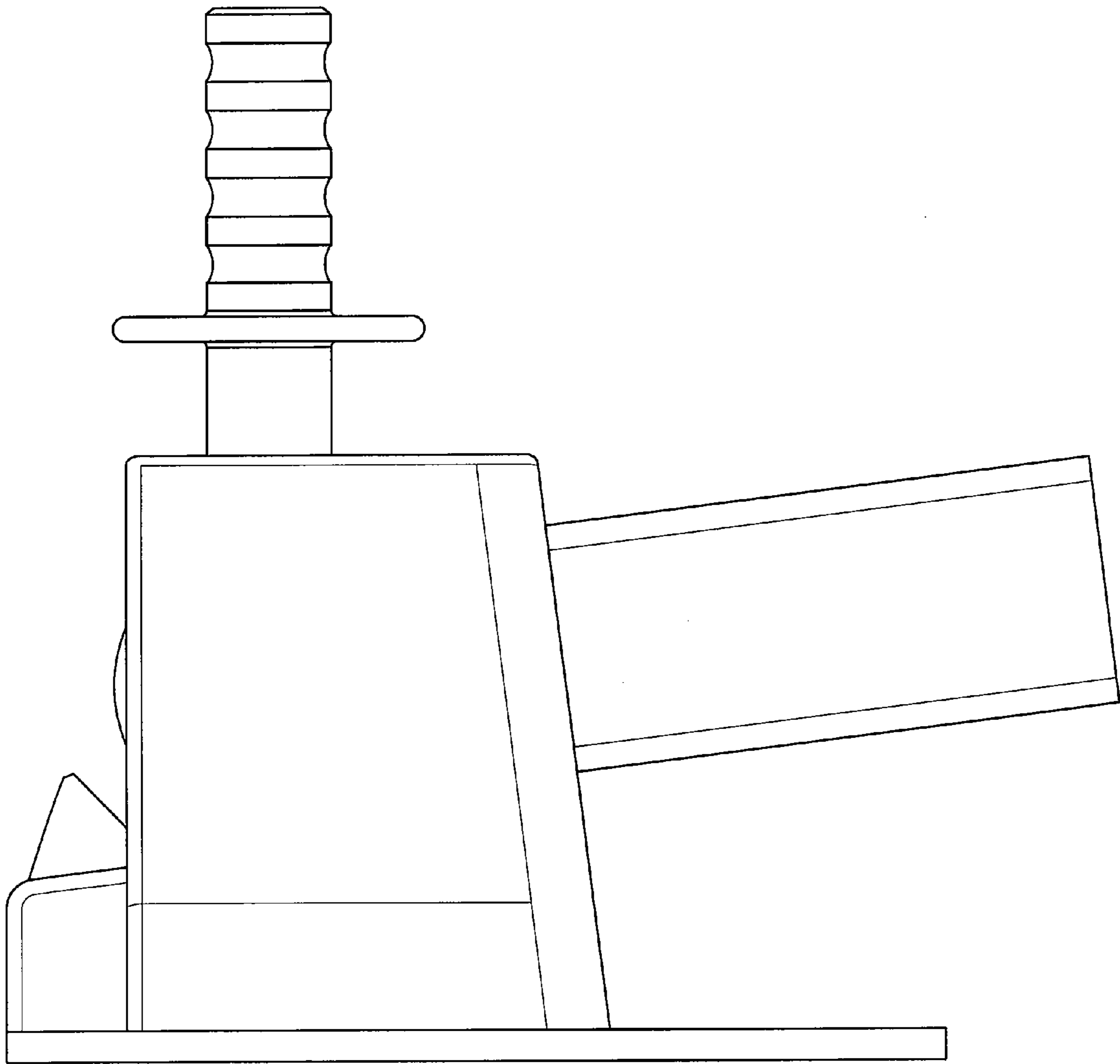


Fig. 16

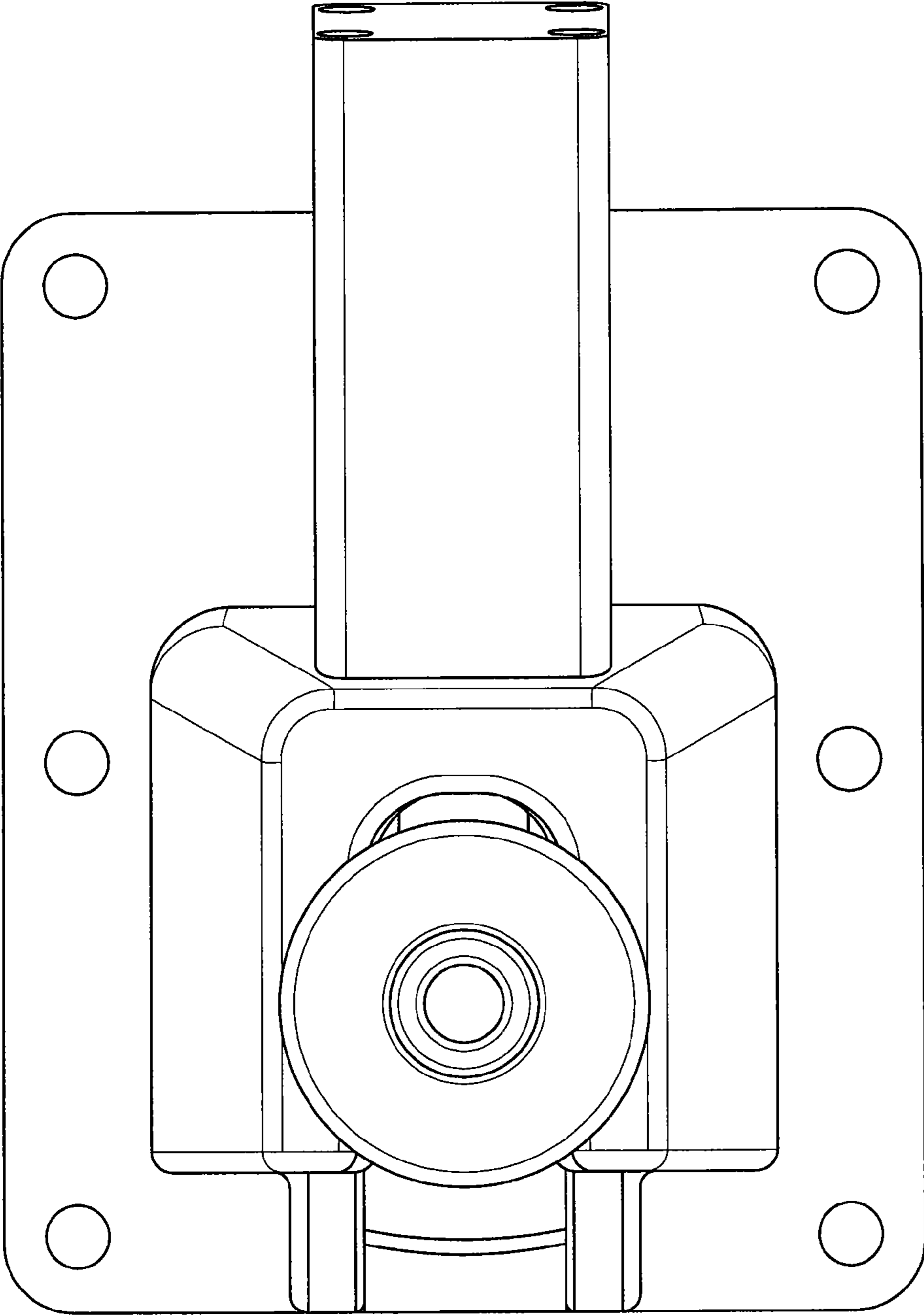


Fig. 17

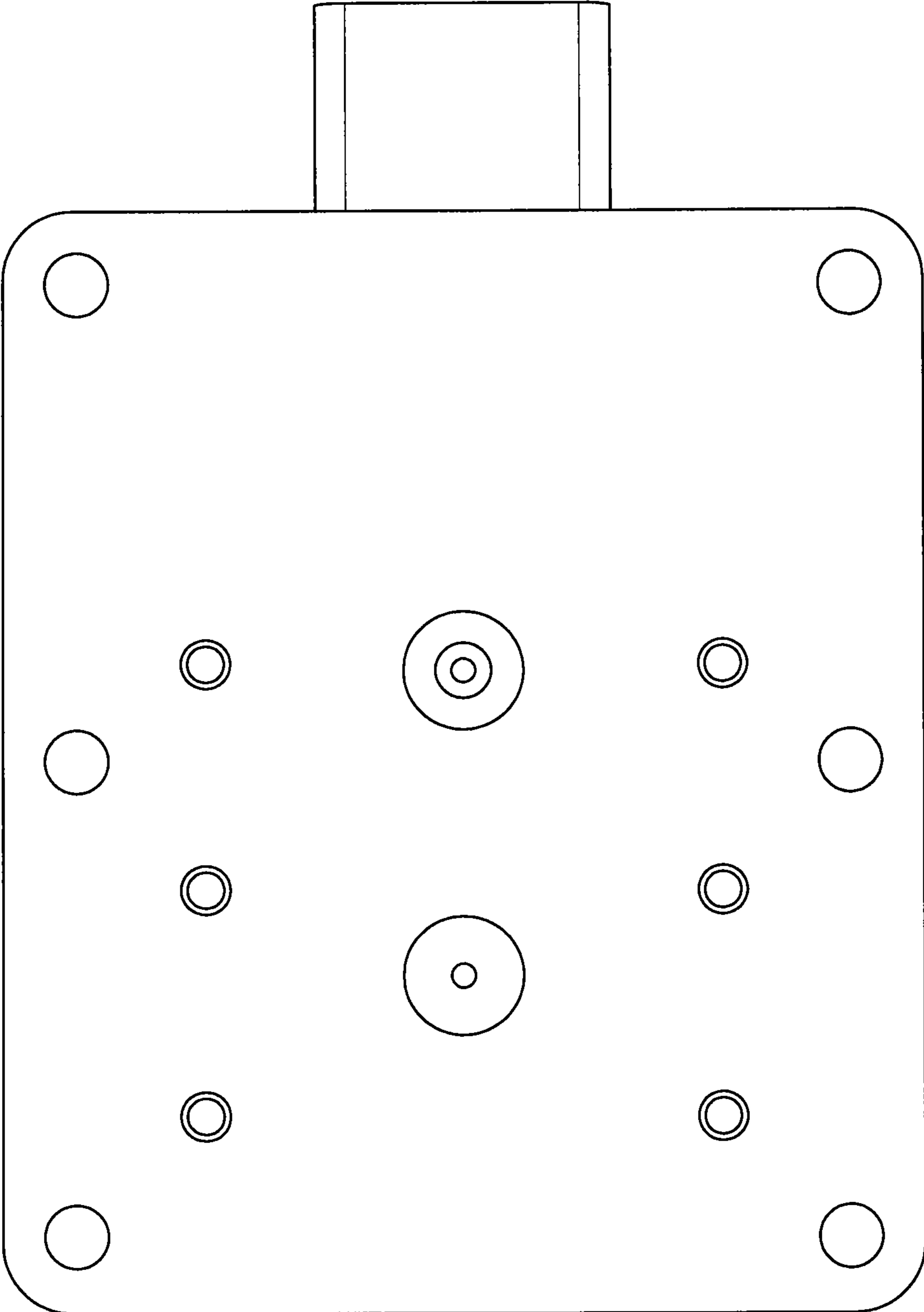


Fig. 18

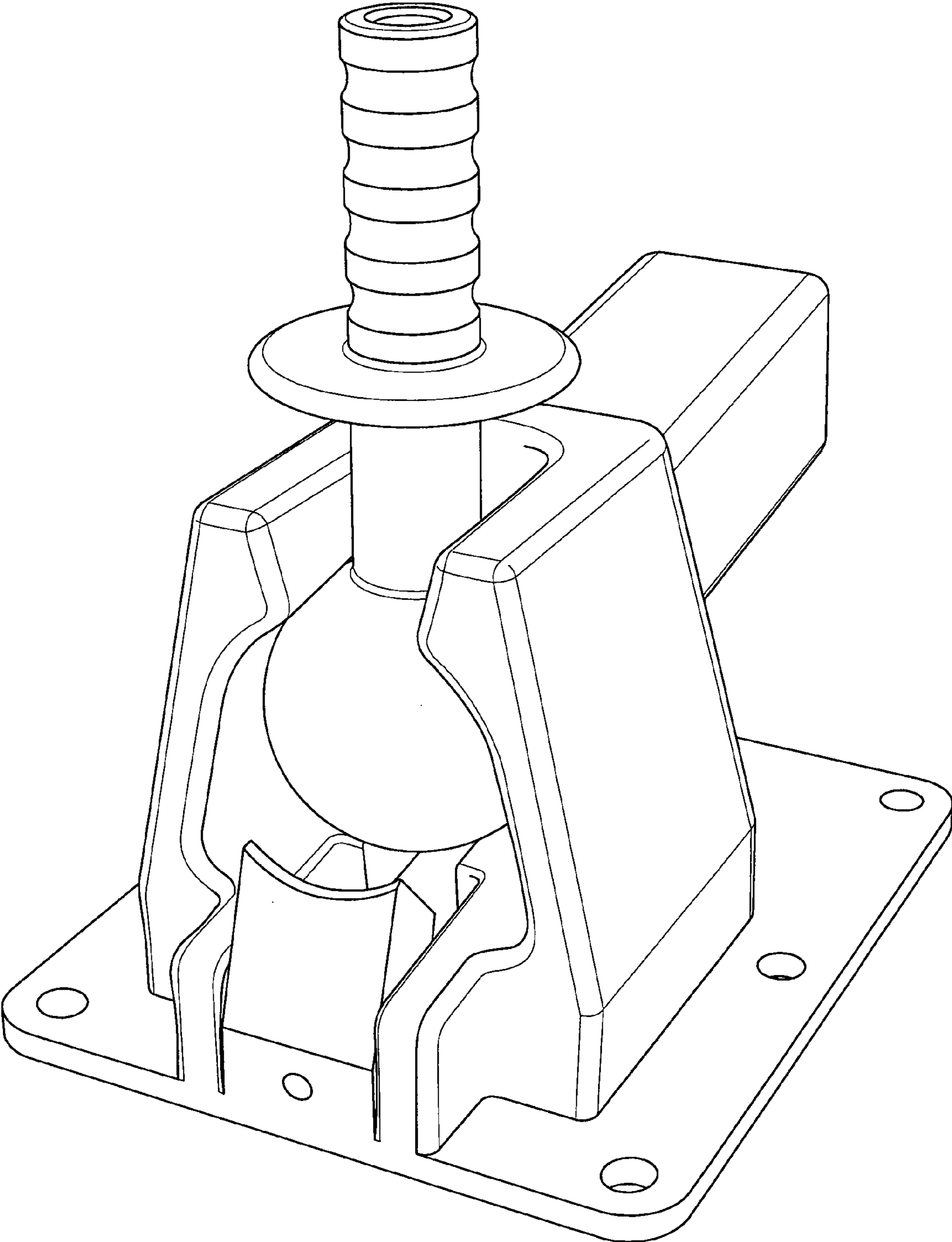


Fig. 19

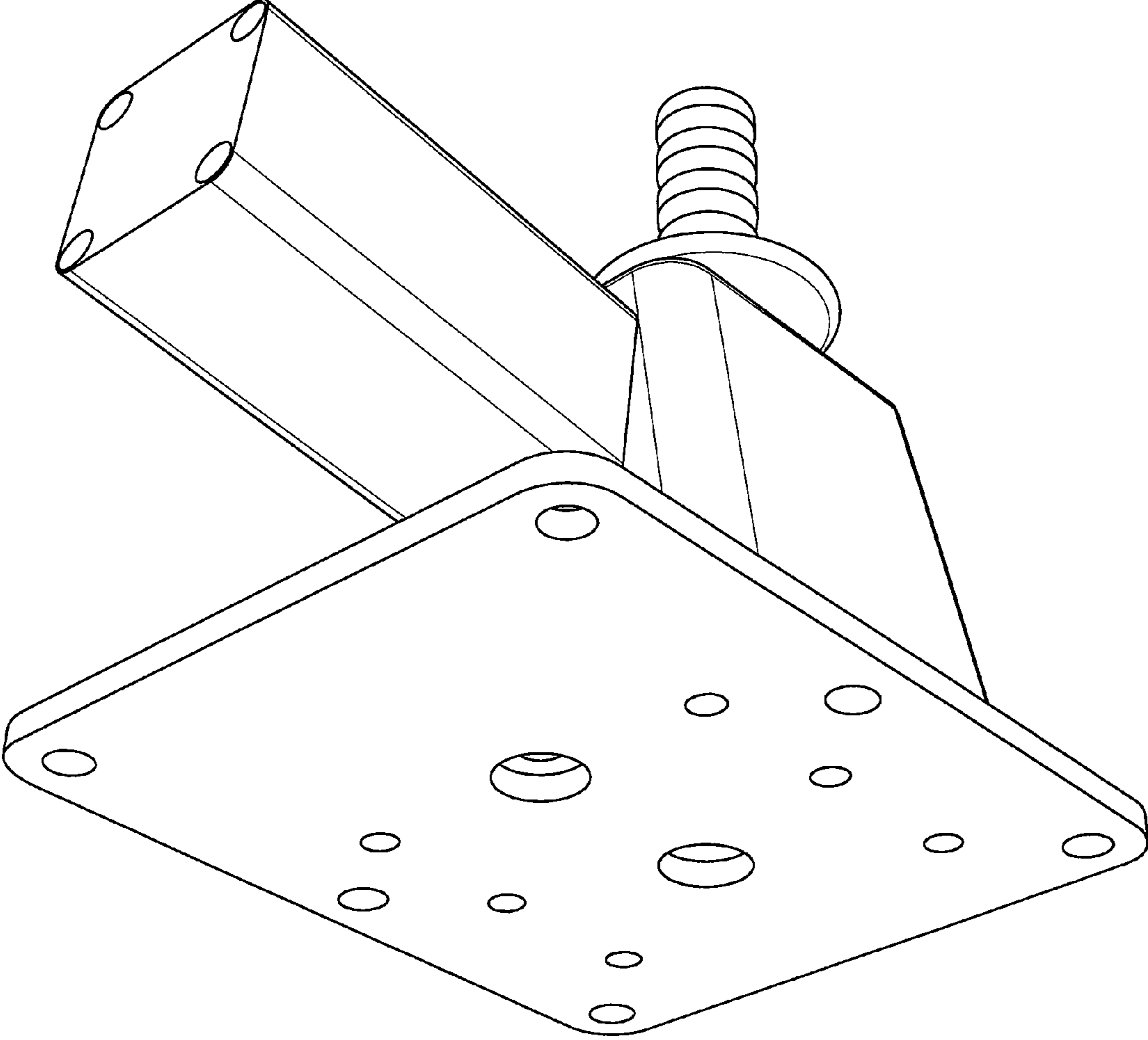


Fig. 20