



US00D649027S

(12) **United States Design Patent**
Pensi et al.

(10) **Patent No.:** **US D649,027 S**

(45) **Date of Patent:** **** Nov. 22, 2011**

(54) **SHELVING BRACKET**

(75) Inventors: **Jorge Pensi**, Barcelona (ES); **Brett Kincaid**, Lowell, MI (US); **Mauricio Escobar**, New York, NY (US); **Brett Kooistra**, Grand Haven, MI (US)

(73) Assignee: **Steelcase Inc.**, Grand Rapids, MI (US)

(**) Term: **14 Years**

(21) Appl. No.: **29/362,736**

(22) Filed: **May 28, 2010**

(51) **LOC (9) Cl.** **08-05**

(52) **U.S. Cl.** **D8/381**

(58) **Field of Classification Search** D8/394,
D8/381, 380, 373, 371, 366, 354, 349; D6/574,
D6/511, 479, 478, 474, 466, 463, 436, 399;
D25/132, 131, 126, 123; D23/267; 248/68.1,
248/65, 49, 243; 211/87.01, 191-193, 188,
211/187, 134; 108/157.13, 152, 110, 108,
108/105

See application file for complete search history.

(56) **References Cited**

U.S. PATENT DOCUMENTS

D283,323 S	4/1986	Cervero	
4,620,489 A	11/1986	Albano	
D289,116 S	4/1987	Kando	
4,745,657 A *	5/1988	Faye	16/226
4,872,567 A	10/1989	Bustos	
4,919,282 A	4/1990	Duff et al.	
4,961,506 A	10/1990	Lang	
D313,133 S	12/1990	Hassel	
D314,111 S	1/1991	Ohno	
D315,461 S	3/1991	Hilton	
5,014,862 A	5/1991	Bustos	
D318,585 S	7/1991	Duff et al.	
D320,896 S	10/1991	Prevedello et al.	
D330,298 S	10/1992	Keong	
D331,339 S	12/1992	Keong	
D332,972 S	2/1993	Lott	

D334,310 S	3/1993	Keong
D334,495 S	4/1993	Bustos
D337,902 S	8/1993	Gephart et al.
5,313,891 A	5/1994	Suttles
D347,755 S	6/1994	Houston
5,347,922 A	9/1994	Metcalf
D388,267 S	12/1997	Newkirk et al.
D392,121 S	3/1998	Newkirk et al.
5,799,588 A	9/1998	Engel
5,833,332 A	11/1998	Marshall et al.

(Continued)

FOREIGN PATENT DOCUMENTS

WO WO2008030804 3/2008

(Continued)

Primary Examiner — Susan Bennett Hattan

(74) *Attorney, Agent, or Firm* — Price Heneveld LLP

(57) **CLAIM**

We claim the ornamental design for a shelving bracket, as shown and described.

DESCRIPTION

FIG. 1 is a perspective view of the shelving bracket embodying the present invention;

FIG. 2 is a rear elevational view of the shelving bracket shown in FIG. 1;

FIG. 3 is a front elevational view of the shelving bracket shown in FIG. 1;

FIG. 4 is a top plan view of the shelving unit shown in FIG. 1;

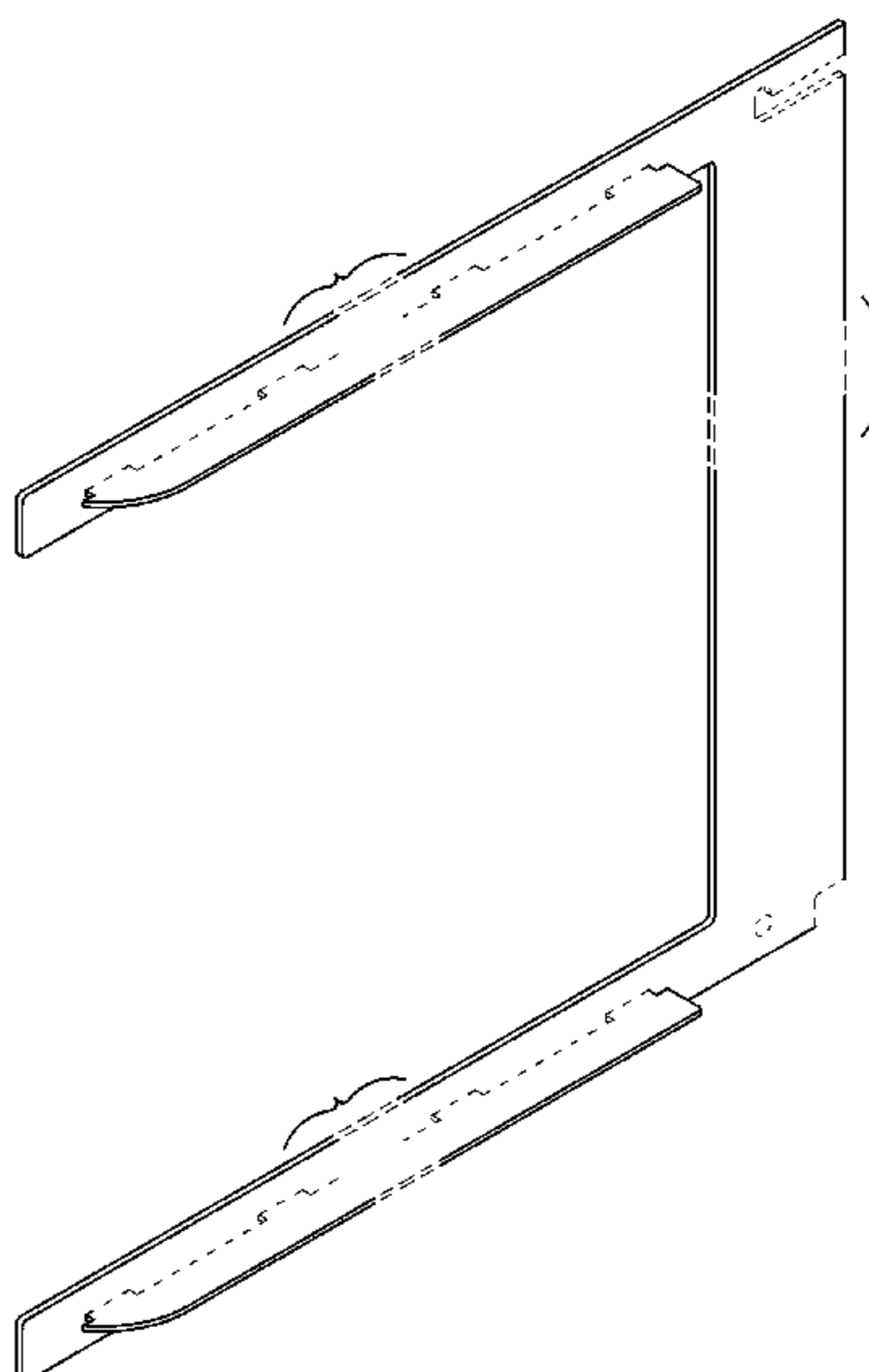
FIG. 5 is a bottom plan view of the shelving bracket shown in FIG. 1;

FIG. 6 is a first side elevational view of the shelving bracket shown in FIG. 1; and,

FIG. 7 is a second side elevational view the shelving bracket shown in FIG. 1.

Dashed lines and broken lines are for the purposes of illustrating environmental structure, and form no part of the claimed design.

1 Claim, 4 Drawing Sheets



US D649,027 S

Page 2

U.S. PATENT DOCUMENTS

D406,476 S 3/1999 Boije
D419,814 S 2/2000 Hecht et al.
D423,840 S 5/2000 Carville et al.
6,102,217 A 8/2000 Mathy et al.
D431,937 S 10/2000 Heiny et al.
D436,760 S 1/2001 Dow
D437,546 S * 2/2001 McElroy, Jr. D8/380
6,257,151 B1 7/2001 Hale
D451,306 S 12/2001 Dow
D453,652 S 2/2002 Walker
D457,027 S 5/2002 Muller et al.
6,561,364 B1 5/2003 Brunsten
D480,237 S 10/2003 de Carolis
6,871,747 B2 3/2005 Bustos

D529,316 S 10/2006 Fujiki
D538,093 S 3/2007 Lee
D547,585 S 7/2007 Netto et al.
D555,962 S 11/2007 Goth
D560,402 S 1/2008 Lev
D562,594 S 2/2008 Thompson
D573,372 S 7/2008 Gibbs et al.
2005/0279033 A1 12/2005 Faber et al.
2007/0267372 A1 11/2007 Young
2008/0047914 A1 2/2008 Young
2008/0053345 A1 3/2008 Newbould et al.

FOREIGN PATENT DOCUMENTS

WO WO2009038571 3/2009

* cited by examiner

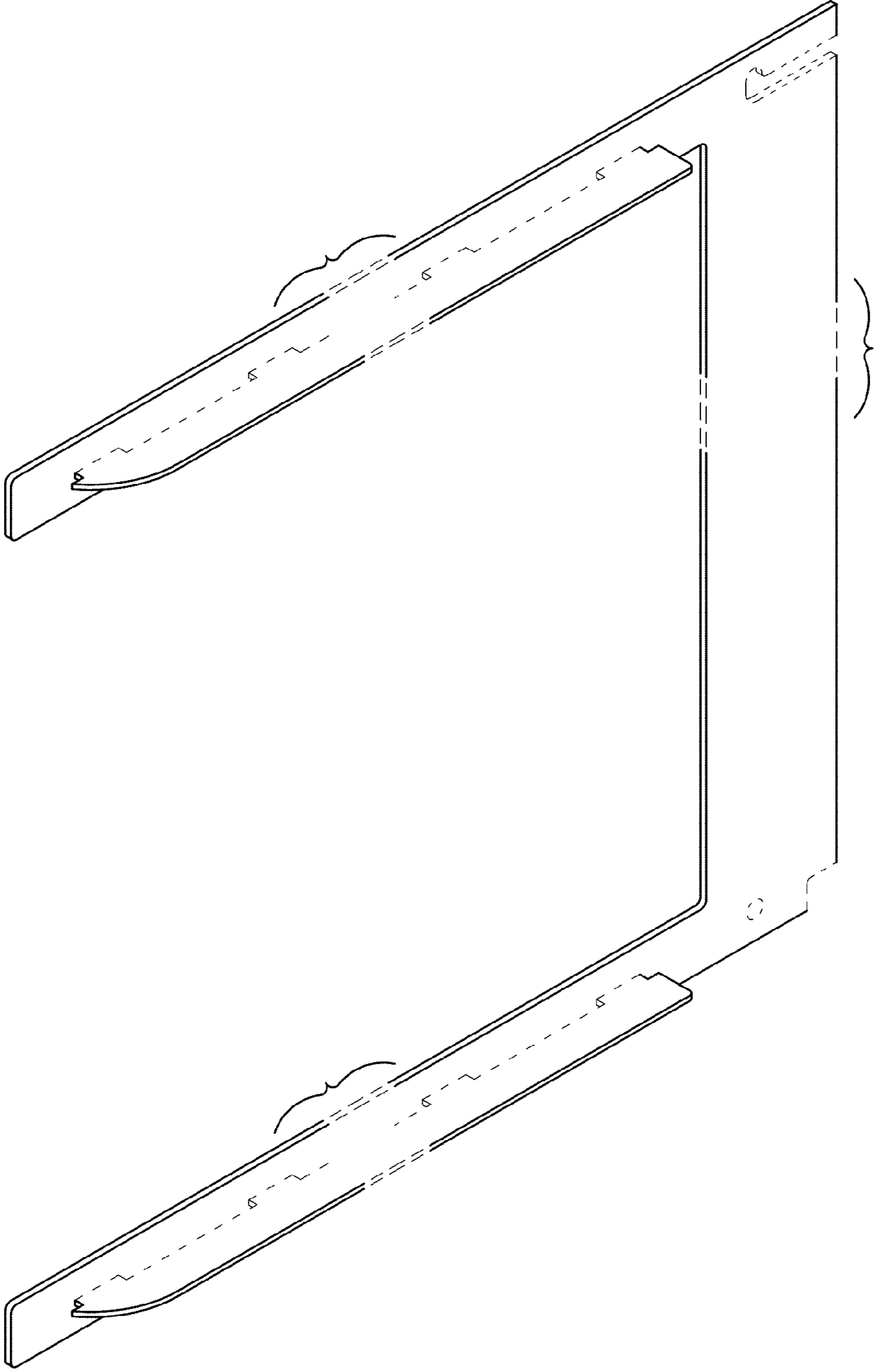


FIG. 1

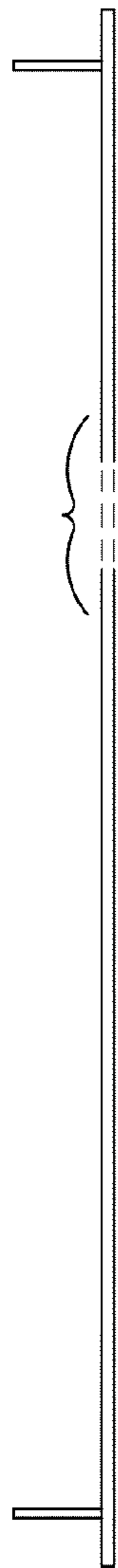


FIG. 2

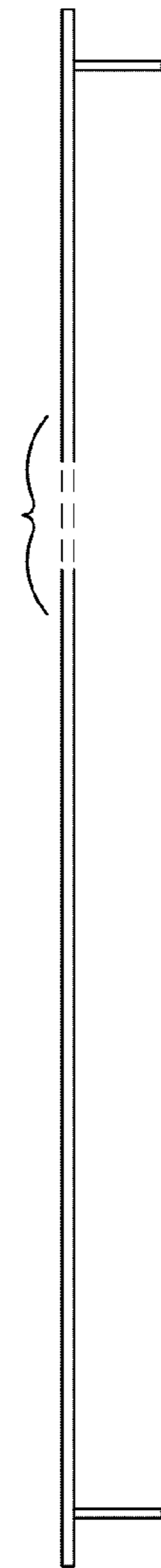


FIG. 3

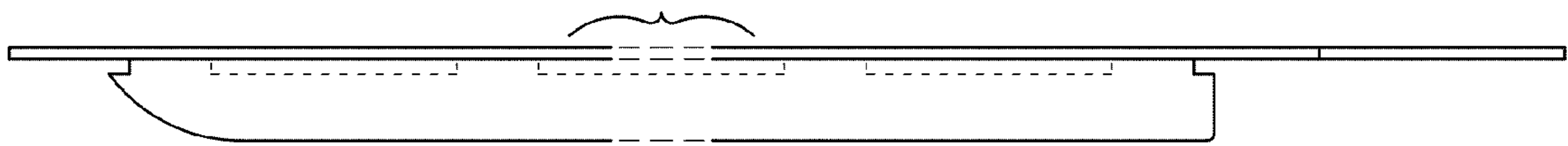


FIG. 4

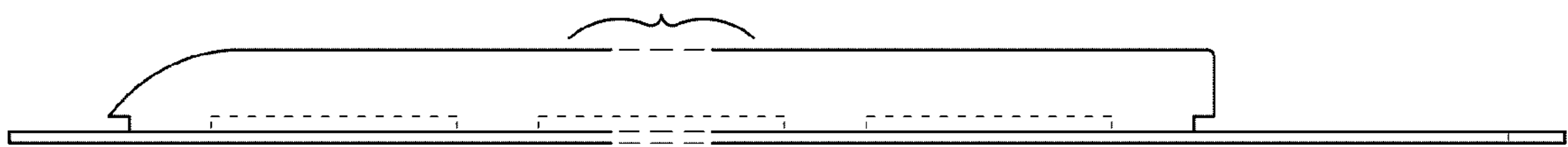


FIG. 5

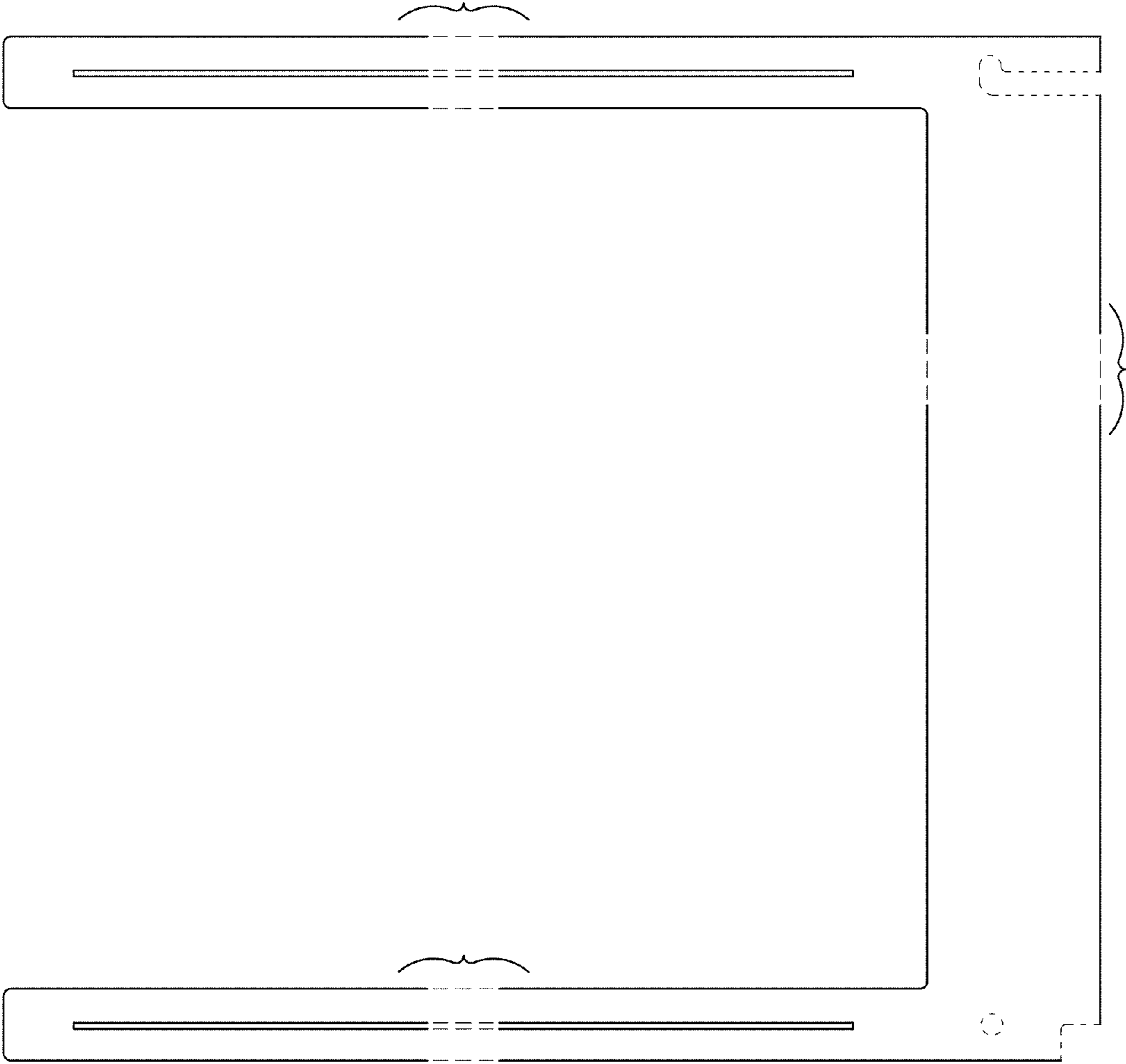


FIG. 6

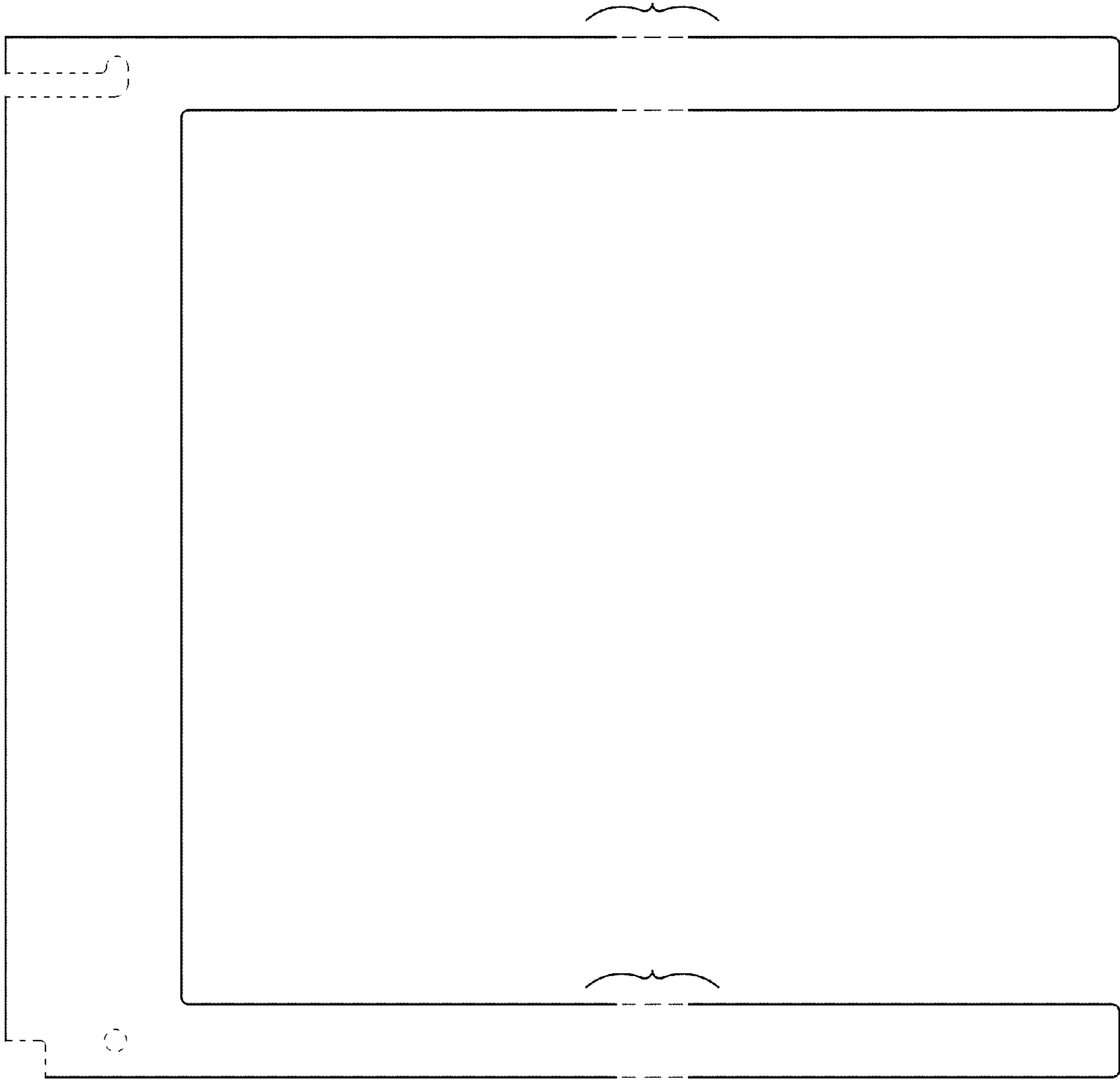


FIG. 7