



US00D649025S

(12) **United States Design Patent**
Gingery

(10) **Patent No.:** **US D649,025 S**

(45) **Date of Patent:** **** Nov. 22, 2011**

(54) **ATTACHABLE HANGING DEVICE**

(75) Inventor: **Jess A. Gingery**, Johnstown, CO (US)

(73) Assignee: **Autumn Wind, Inc.**, Johnstown, CO (US)

(**) Term: **14 Years**

(21) Appl. No.: **29/369,634**

(22) Filed: **Sep. 10, 2010**

(51) **LOC (9) Cl.** **08-05**

(52) **U.S. Cl.** **D8/373**

(58) **Field of Classification Search** D8/367,
D8/373, 380-381; 248/301, 304, 235, 237,
248/243, 247

See application file for complete search history.

(56) **References Cited**

U.S. PATENT DOCUMENTS

4,666,115 A	5/1987	Schiro
4,934,015 A	6/1990	Mink
4,953,817 A	9/1990	Mosteller
5,017,239 A	5/1991	Morrison
5,032,187 A	7/1991	Lawless
5,056,184 A	10/1991	Pitchford
D343,112 S	1/1994	Corbin

D369,293 S *	4/1996	Gusdorf et al.	D8/381
D400,781 S *	11/1998	Wilkening et al.	D8/381
6,279,863 B1	8/2001	Hall	
D507,479 S *	7/2005	Jablow et al.	D8/381
D508,646 S *	8/2005	Gates et al.	D8/381
D543,840 S *	6/2007	Belokin et al.	D8/381
D605,932 S *	12/2009	Piersant	D8/381

* cited by examiner

Primary Examiner — Holly Baynham

(74) *Attorney, Agent, or Firm* — Paul M. Thompson;
Cochran Freund & Young LLC

(57) **CLAIM**

The ornamental design for an attachable hanging device, as shown and described.

DESCRIPTION

FIG. 1 is an isometric view of an attachable hanging device showing my new design.

FIG. 2 is a right side elevation view thereof.

FIG. 3 is a left side elevation view thereof.

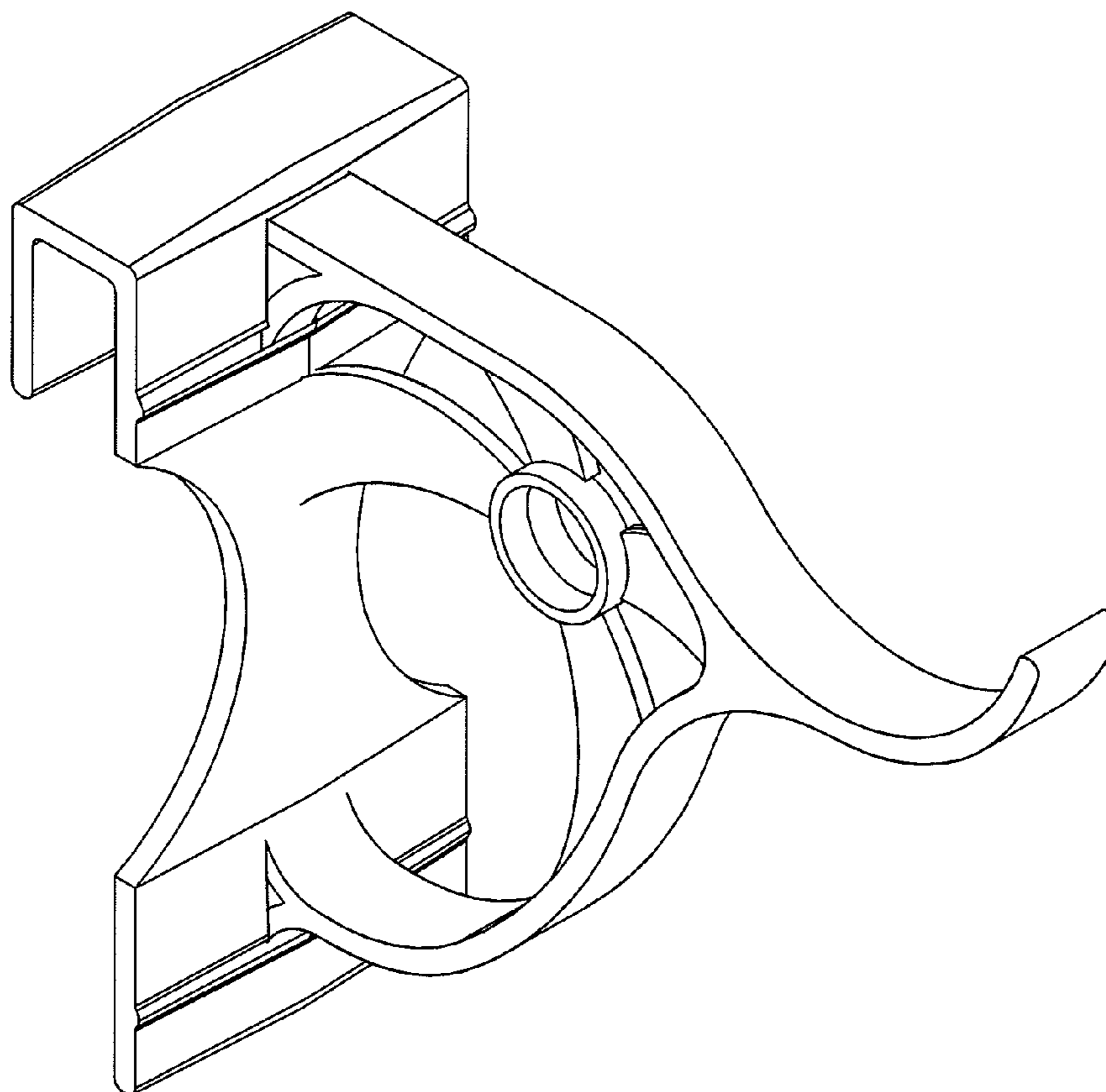
FIG. 4 is a rear elevation view thereof.

FIG. 5 is a front elevation view thereof.

FIG. 6 is a top plan view thereof; and,

FIG. 7 is a bottom plan view thereof.

1 Claim, 5 Drawing Sheets



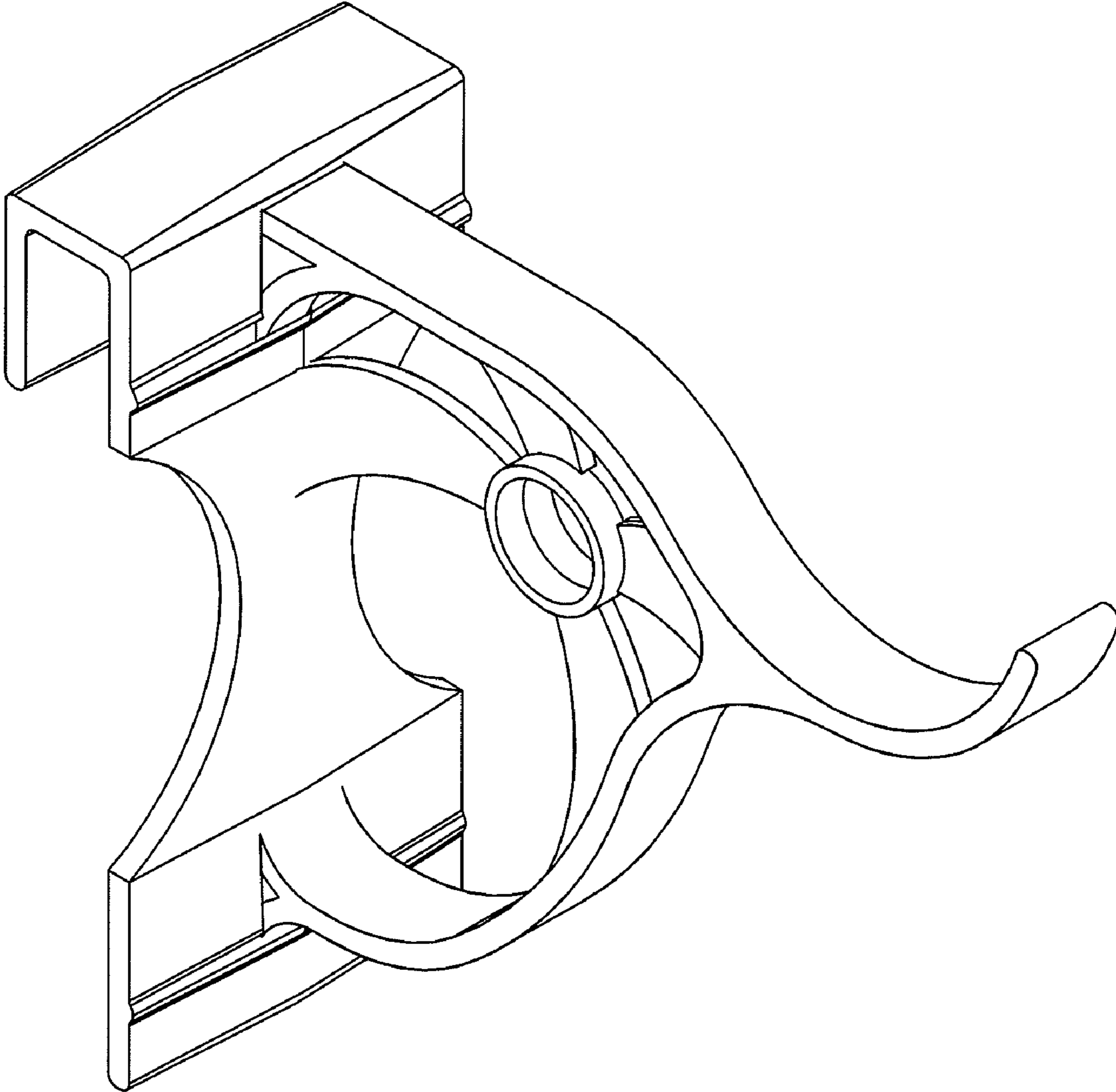


Fig. 1

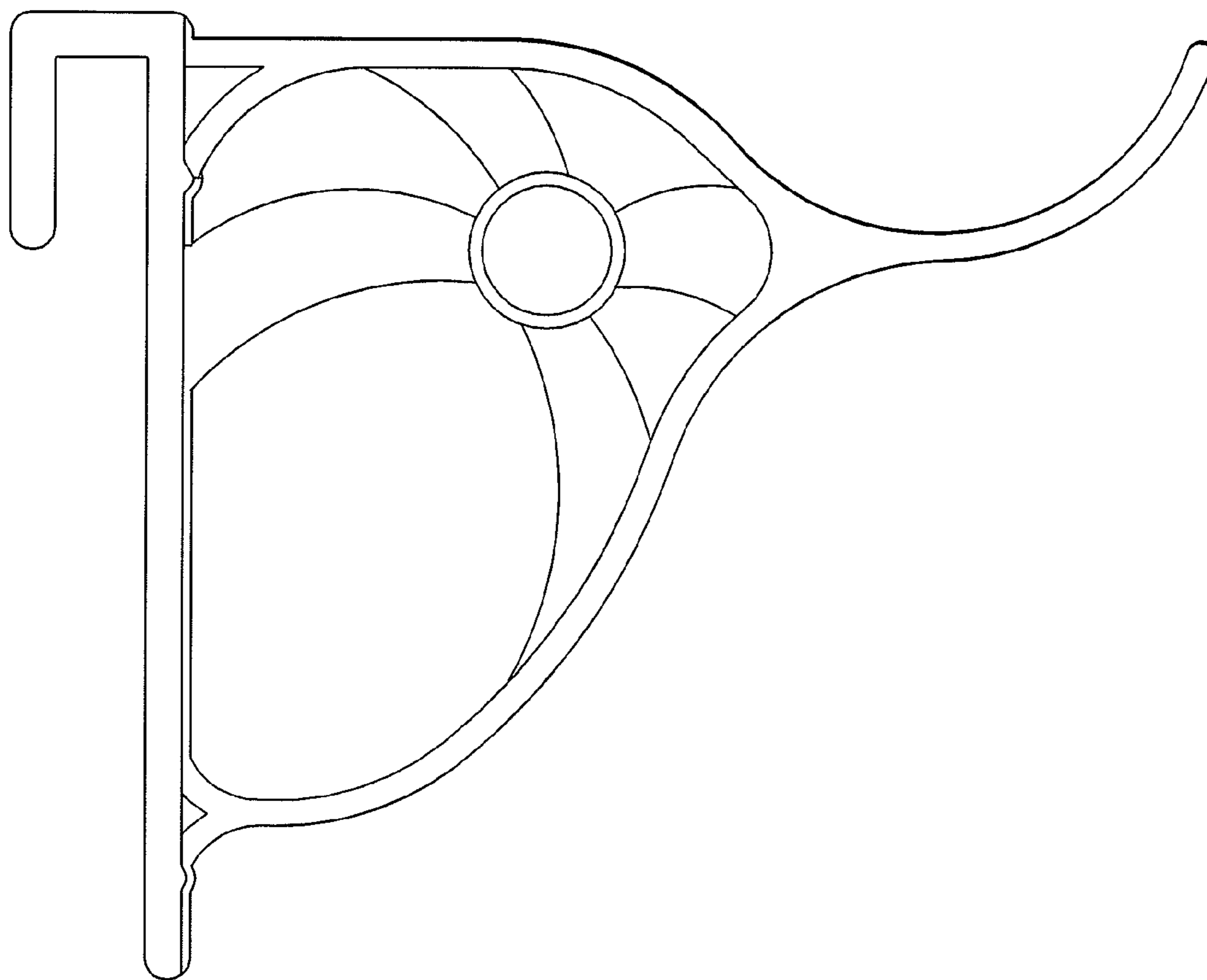


Fig. 2

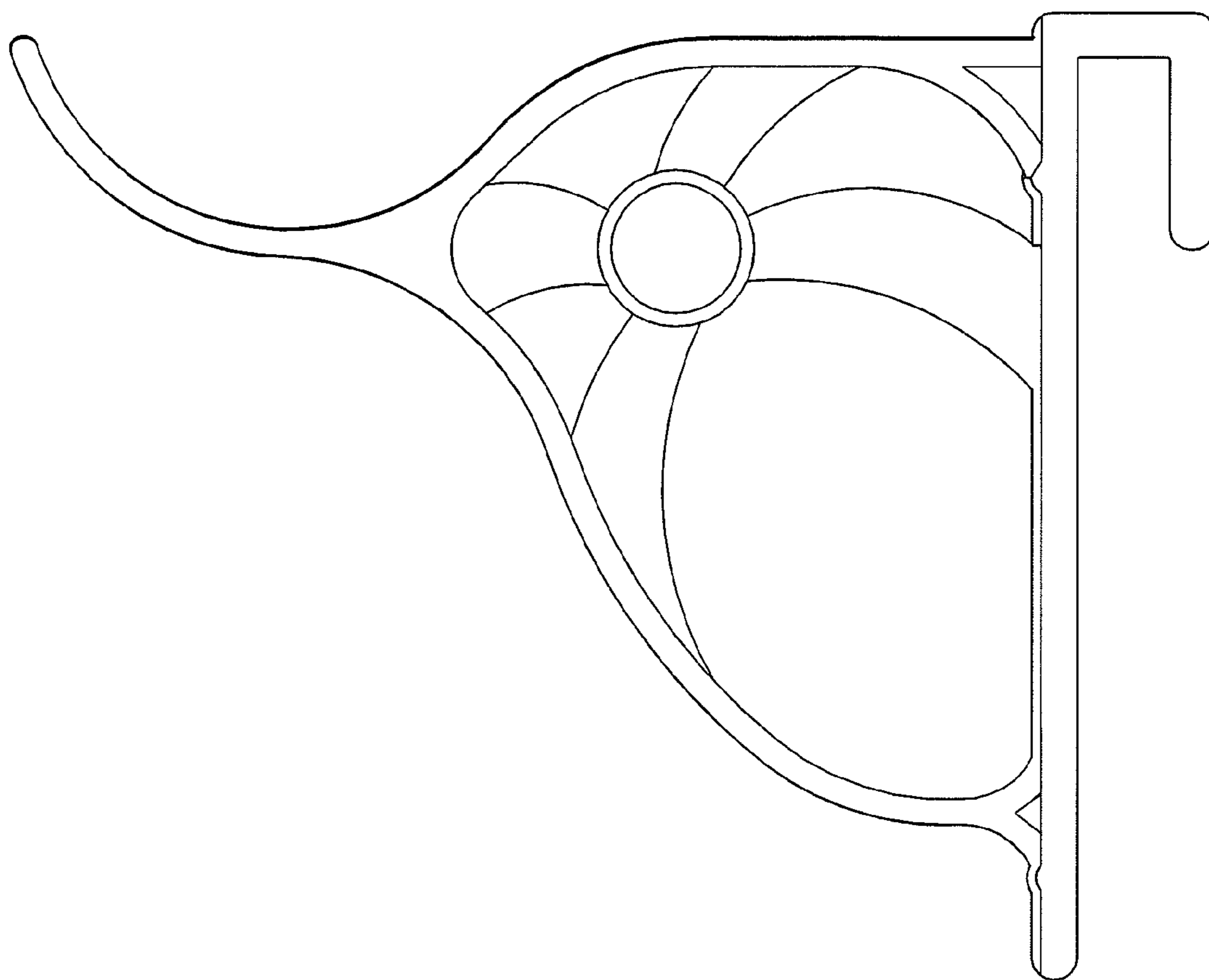


Fig. 3

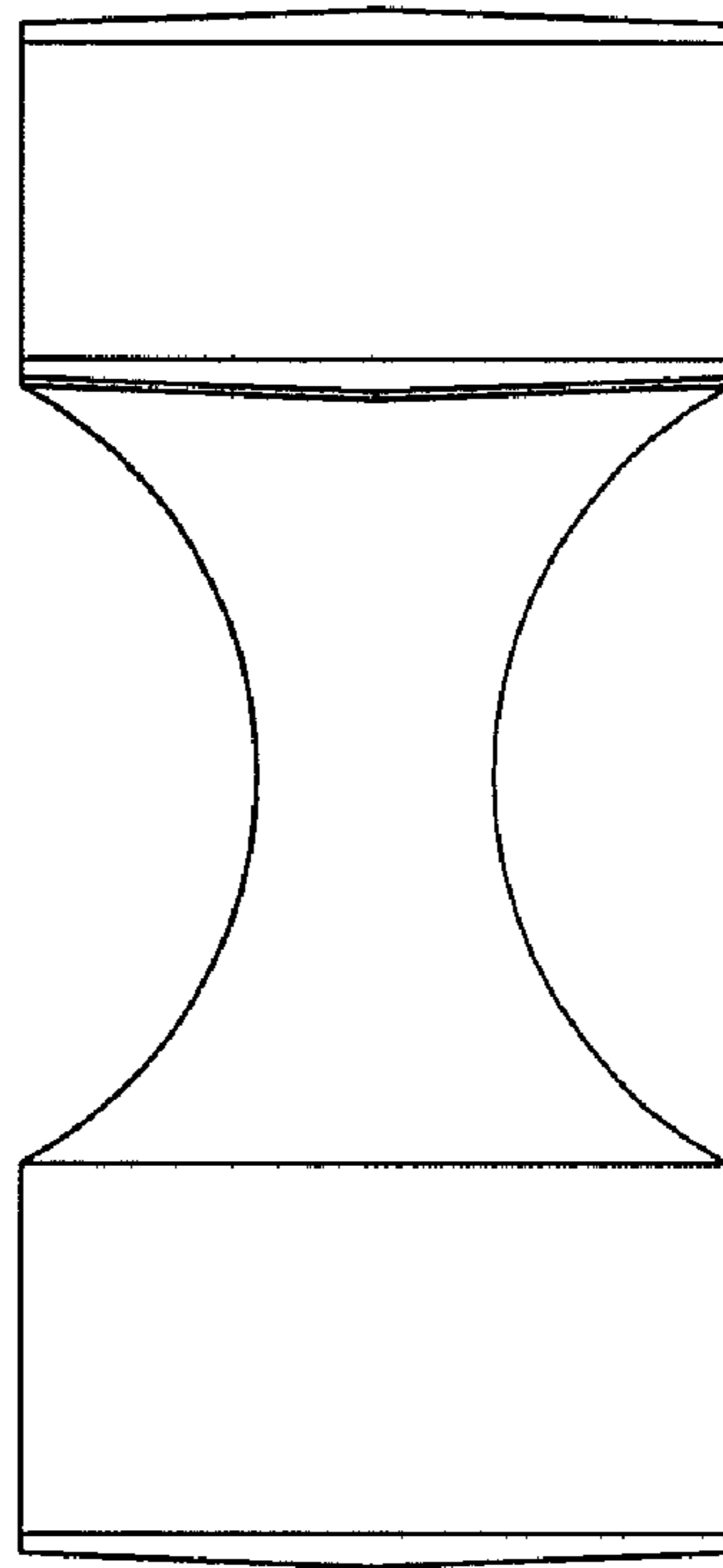


Fig. 4

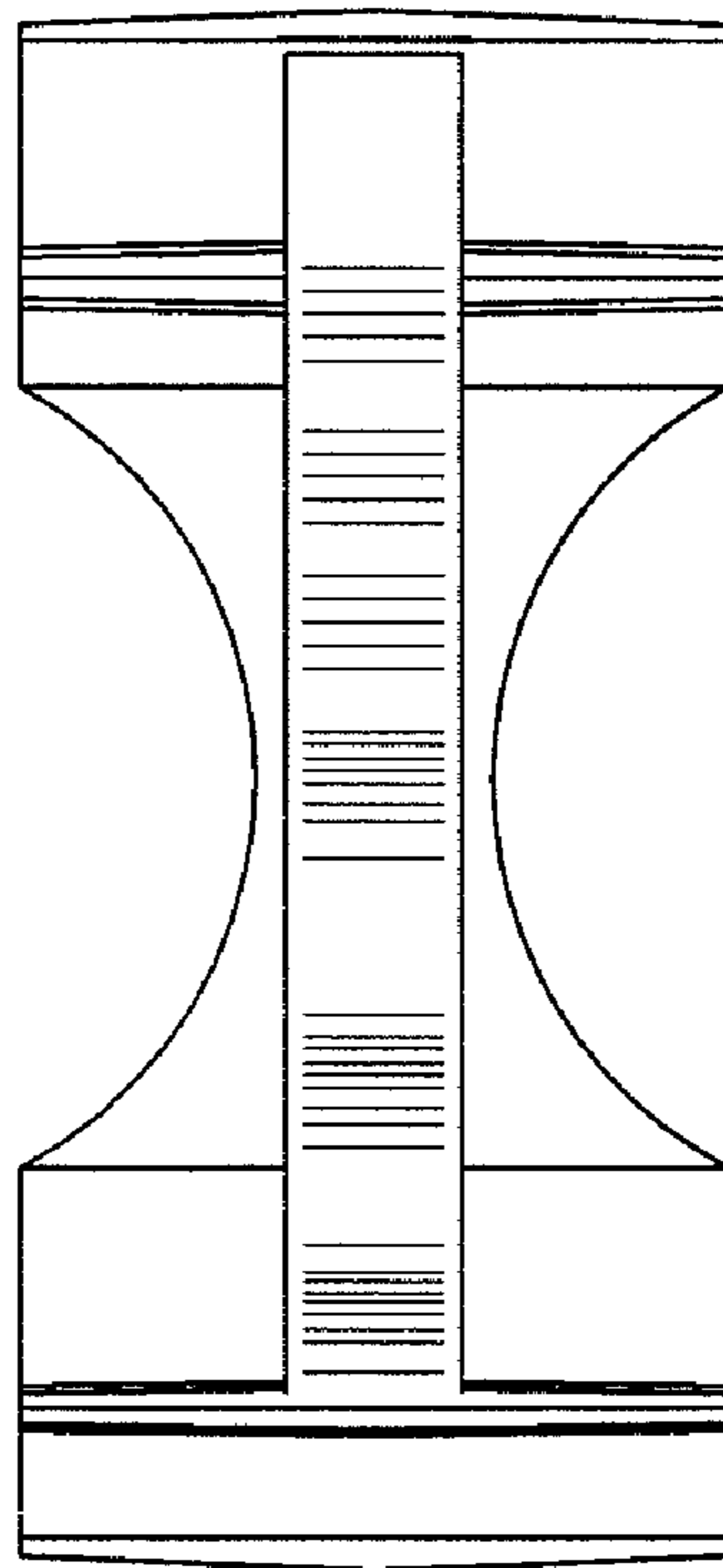


Fig. 5

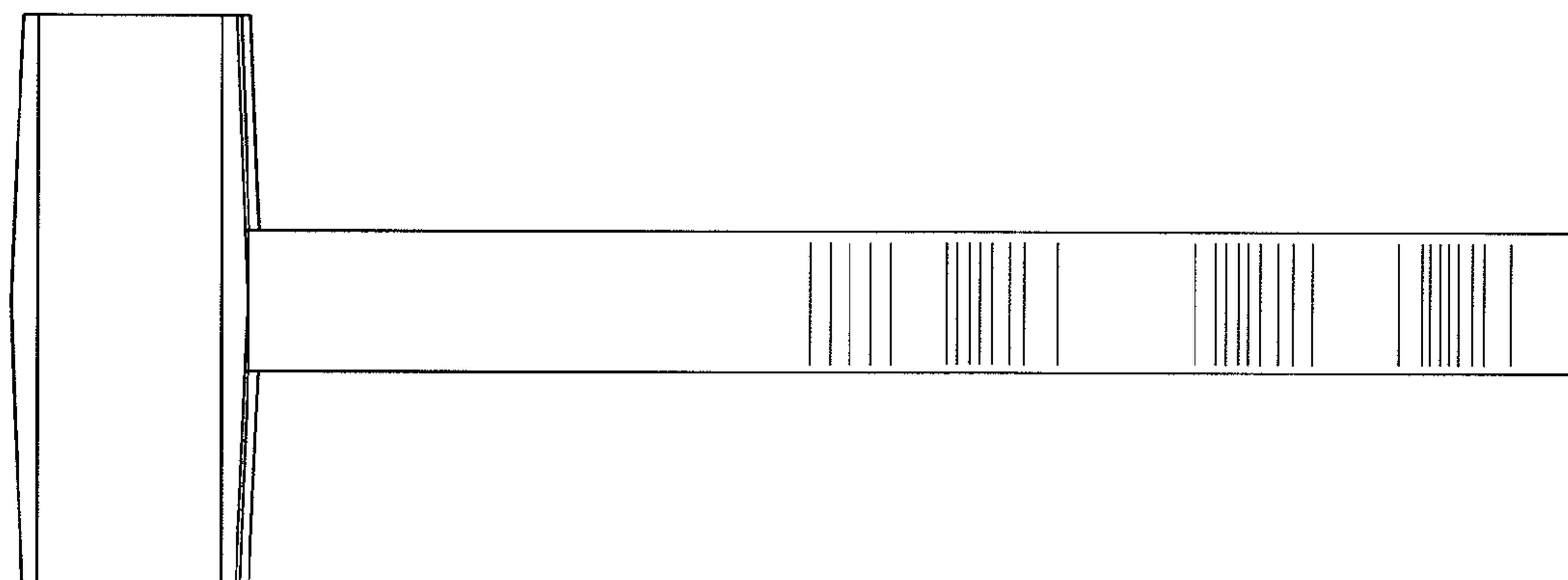


Fig. 6

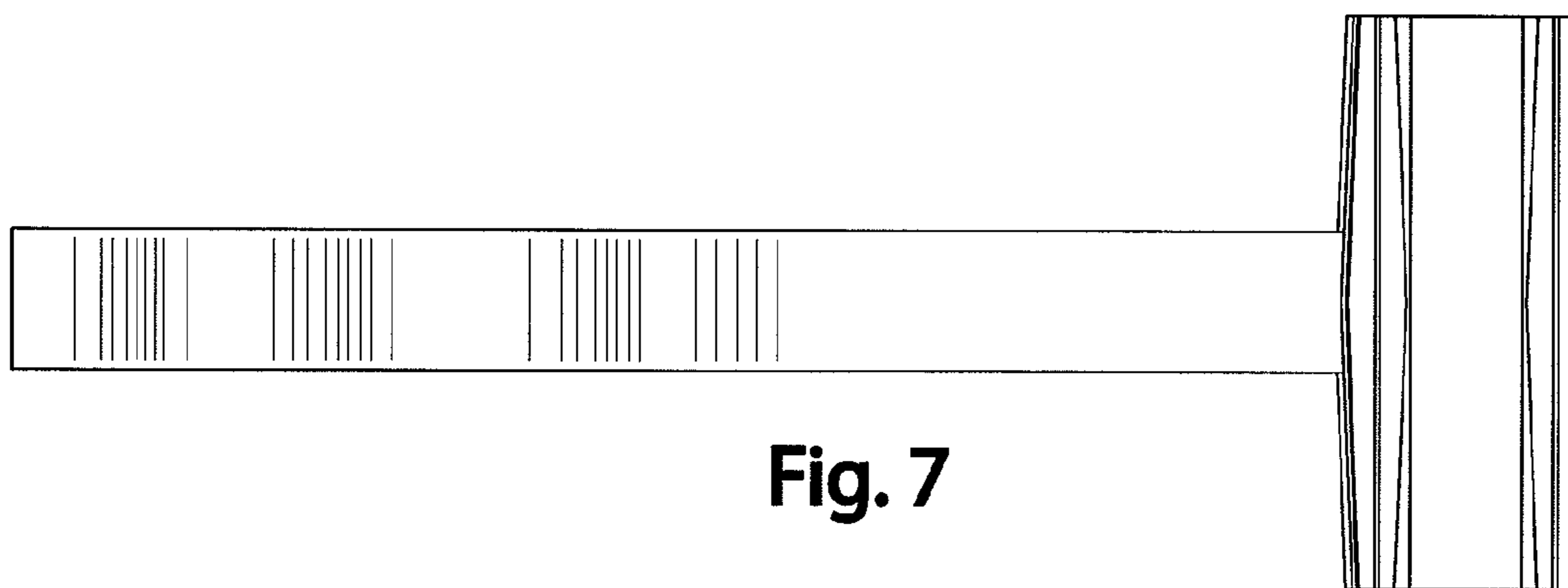


Fig. 7