



US00D649024S

(12) **United States Design Patent**
Takazakura

(10) **Patent No.:** **US D649,024 S**

(45) **Date of Patent:** **** Nov. 22, 2011**

(54) **SWIVEL HOOK**

(75) Inventor: **Ryoichiro Takazakura**, Toyama-ken
(JP)

(73) Assignee: **YKK Corporation** (JP)

(**) Term: **14 Years**

(21) Appl. No.: **29/394,378**

(22) Filed: **Jun. 16, 2011**

(30) **Foreign Application Priority Data**

Dec. 17, 2010 (JP) D2010-030168

(51) **LOC (9) Cl.** **08-05**

(52) **U.S. Cl.** **D8/367**

(58) **Field of Classification Search** D8/367,
D8/323, 382, 356, 354, 372, 1; D12/115,
D12/317; D3/328, 207; 63/8, 7, 12, 15,
63/1.14; D6/323; 248/301-304, 175, 63;
70/59; 402/35; 114/218, 114; 24/598.1,
24/599.6, 588.1, 592.11, 452, 601.5, 601,
24/599.9, 129 R, 600.9; 294/137, 158, 82.19;
410/101; 182/3; D11/210; D9/752; D19/32
See application file for complete search history.

(56) **References Cited**

U.S. PATENT DOCUMENTS

D28,064 S * 12/1897 Hubbard D8/382
4,577,374 A * 3/1986 Lii 24/165
4,665,592 A * 5/1987 Kasai 24/601.2
D337,935 S * 8/1993 Hawley D8/367
D338,152 S * 8/1993 Franklin D8/382
5,253,396 A * 10/1993 Rekuc et al. 24/600.9

5,274,887 A * 1/1994 Fudaki 24/265 H
5,365,642 A * 11/1994 Rekuc et al. 24/600.9
5,450,661 A * 9/1995 Rekuc 24/599.6
5,671,514 A * 9/1997 Matoba et al. 24/601.2
D402,189 S * 12/1998 Izumi D8/382
5,878,834 A * 3/1999 Brainerd et al. 182/3
D413,252 S * 8/1999 Striebel D8/367
D413,789 S * 9/1999 Striebel D8/367
6,550,413 B2 * 4/2003 Fiorentino et al. 114/311
6,694,574 B1 * 2/2004 Sheng 24/265 H
D491,049 S * 6/2004 Kung D8/367
D496,251 S * 9/2004 Buscart D8/356
D579,763 S 11/2008 Uehara et al.
D583,654 S 12/2008 Uehara
D602,348 S * 10/2009 Berney D8/382
D631,331 S * 1/2011 Kelleghan D8/356
2006/0179784 A1 * 8/2006 Chen 52/698

* cited by examiner

Primary Examiner — Cynthia Underwood

(74) *Attorney, Agent, or Firm* — Kilpatrick Townsend & Stockton LLP

(57) **CLAIM**

The ornamental design for a swivel hook, as shown and described.

DESCRIPTION

FIG. 1 is a perspective view of the bottom, front and right side of a swivel hook showing my (our) new design;
FIG. 2 is a front view thereof;
FIG. 3 is a rear view thereof;
FIG. 4 is a top plan view thereof;
FIG. 5 is a bottom view thereof;
FIG. 6 is a left side view thereof; and,
FIG. 7 is a right side view thereof.

1 Claim, 5 Drawing Sheets

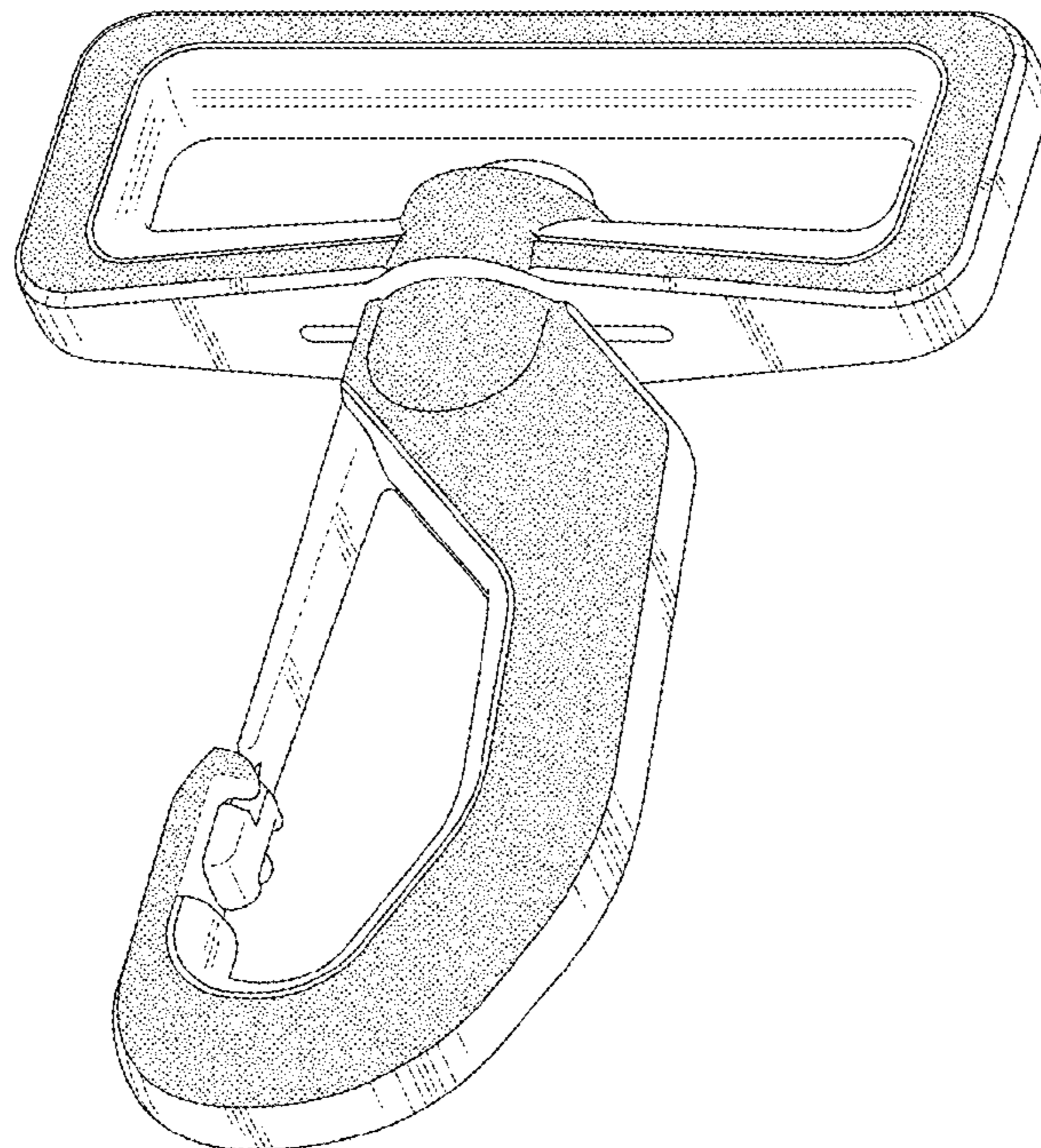


Fig. 1

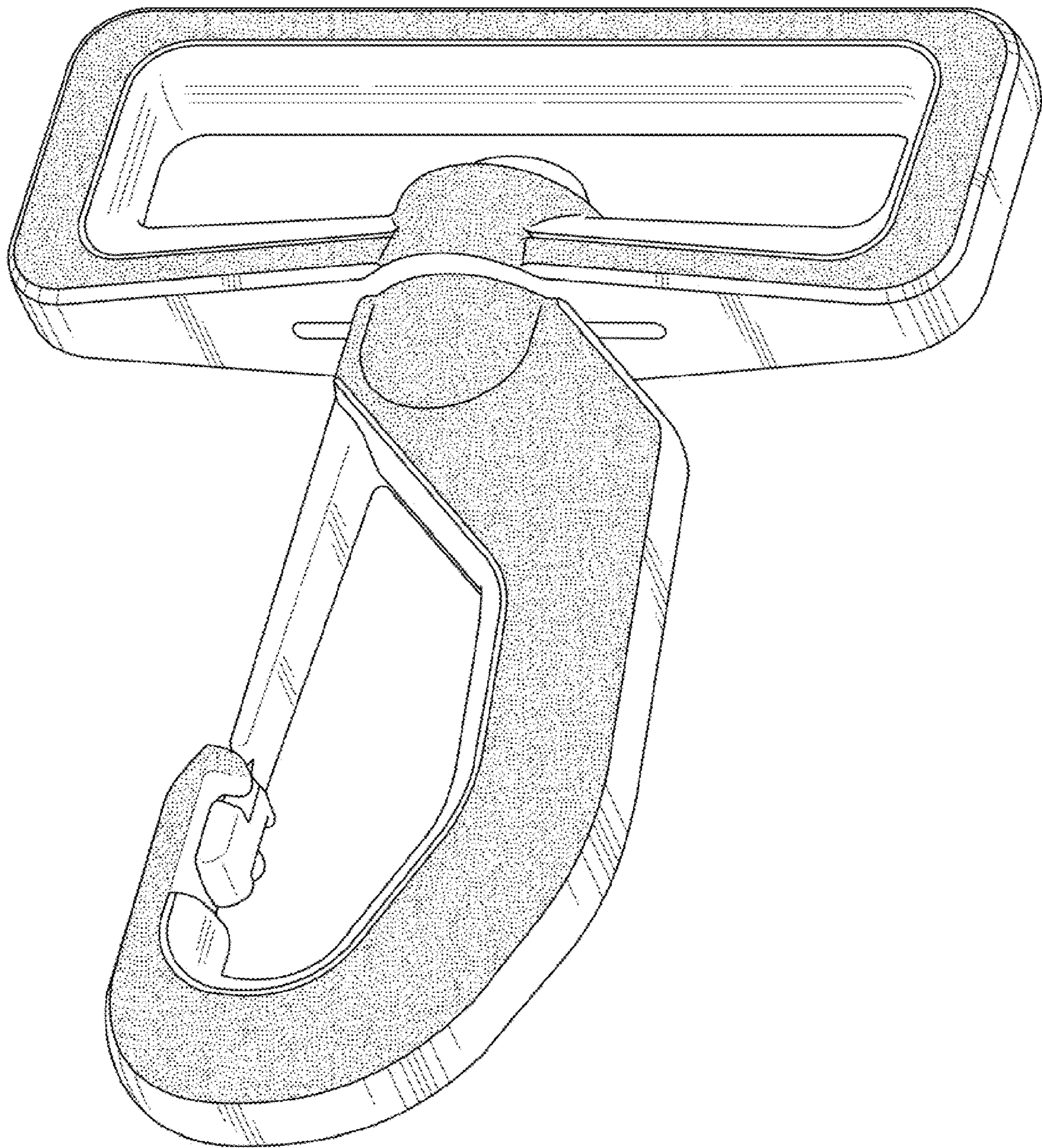


Fig. 2

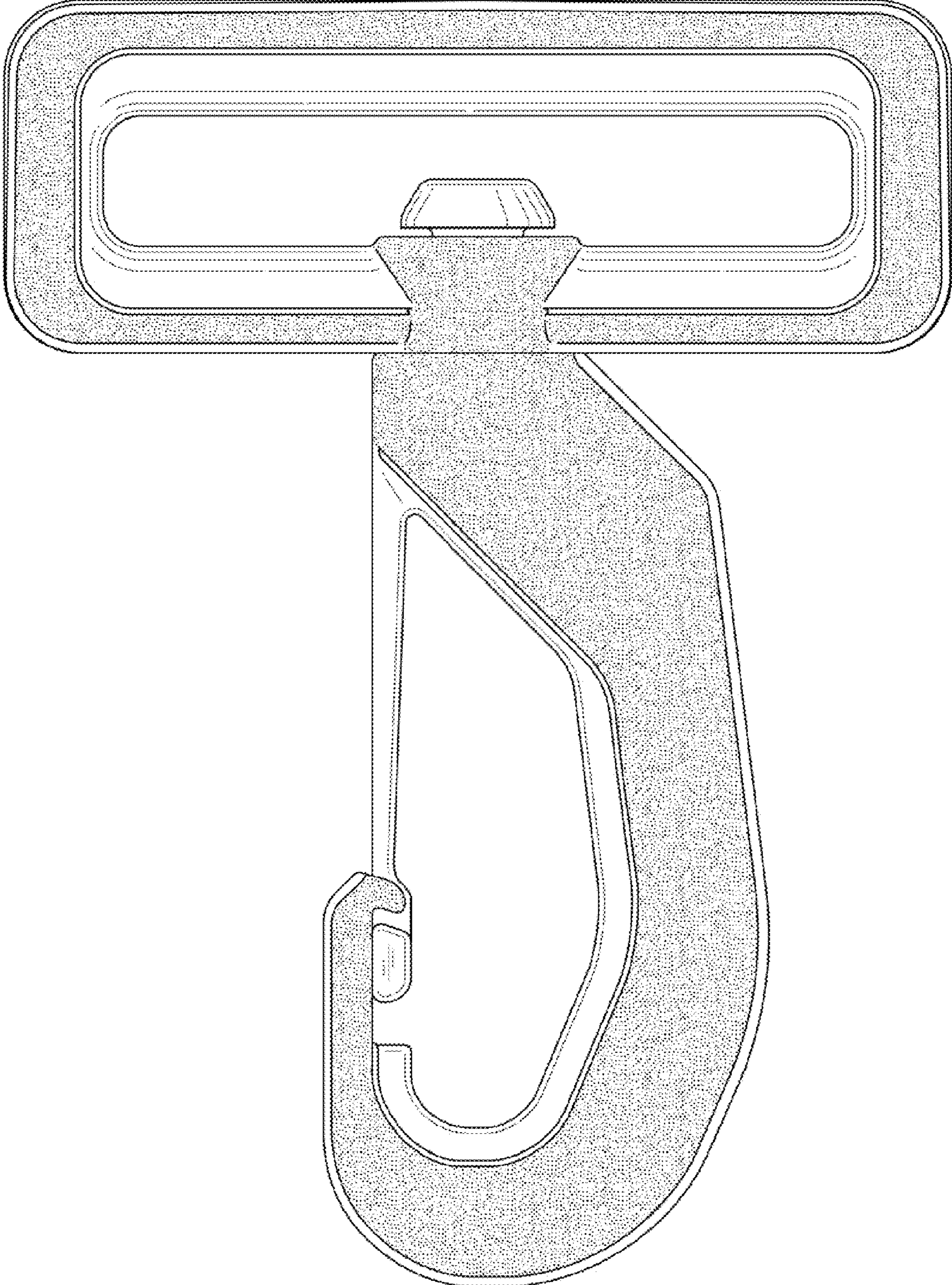


Fig. 3

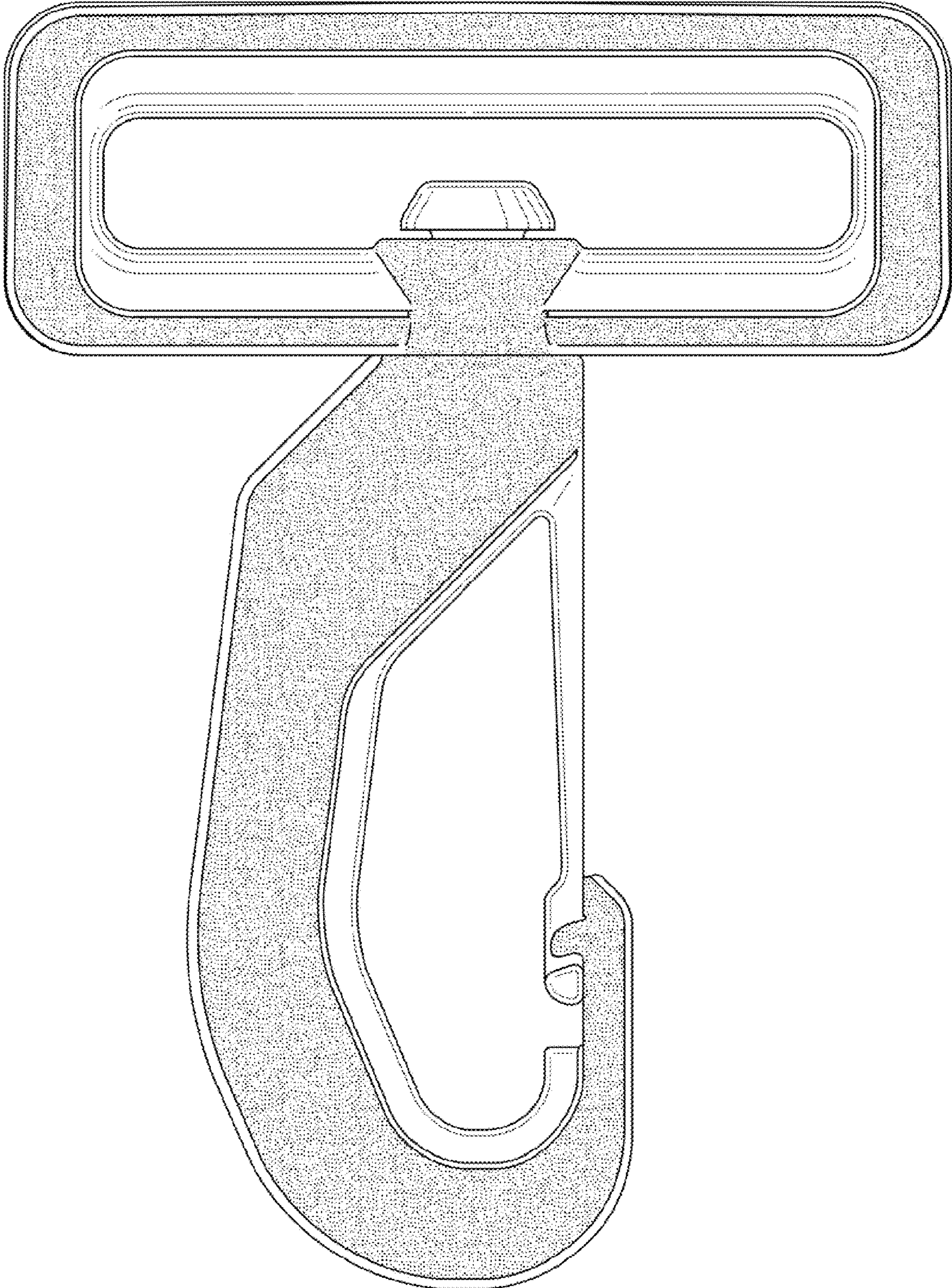


Fig. 4

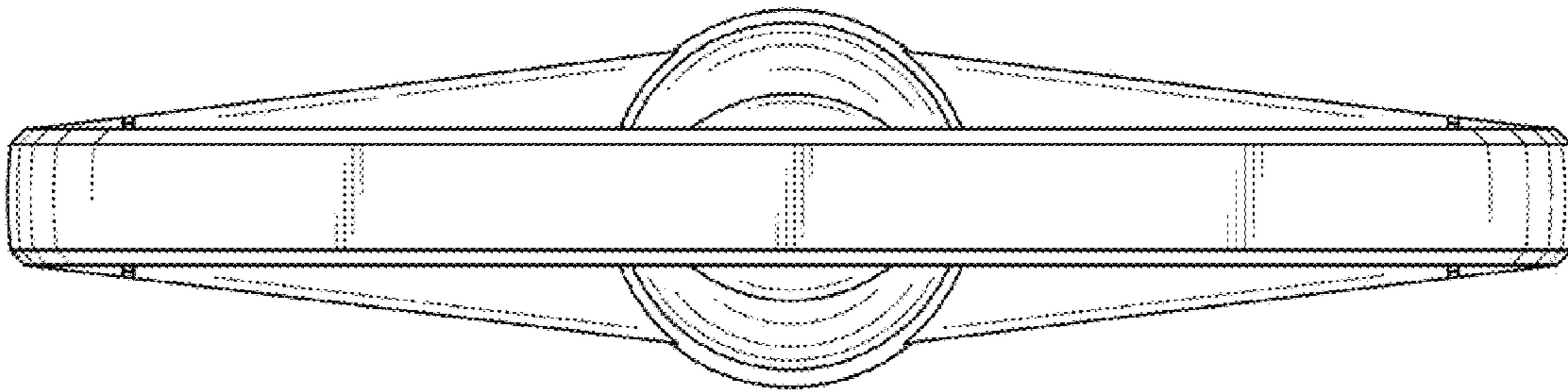


Fig. 5

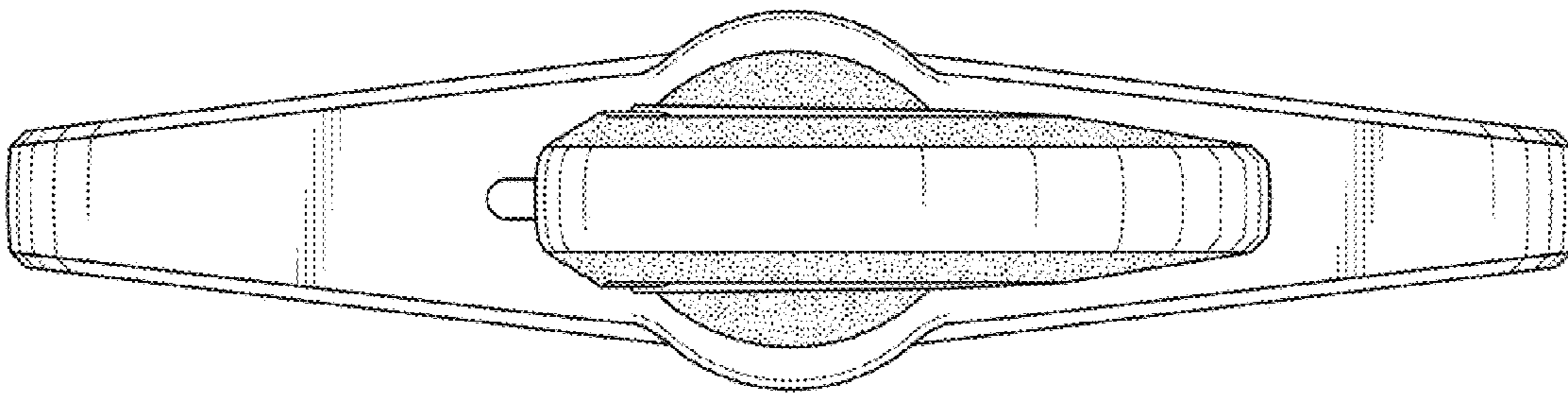


Fig. 6

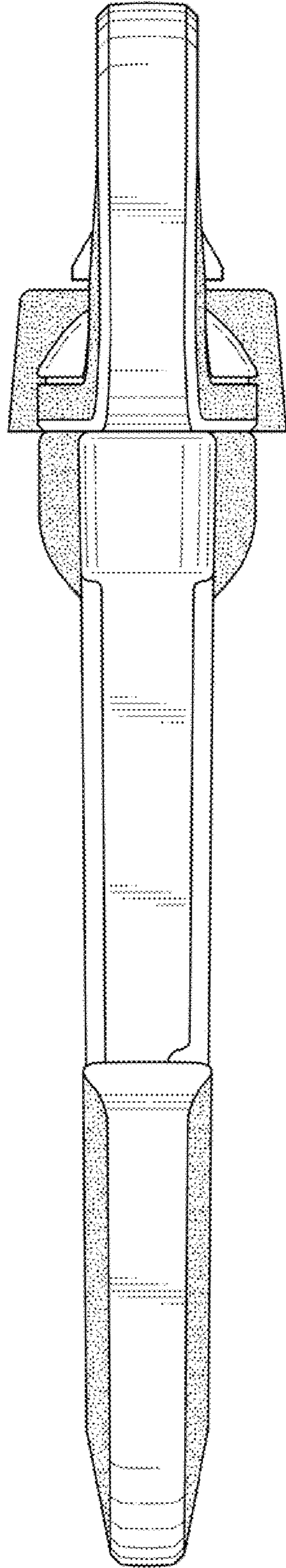


Fig. 7

