



US00D649022S

(12) **United States Design Patent**
McDuff et al.

(10) **Patent No.:** **US D649,022 S**

(45) **Date of Patent:** **** Nov. 22, 2011**

(54) **WALL-MOUNTED HOOK**

(75) Inventors: **Pierre McDuff**, Outremont (CA);
Alexandre Pollak, Laval (CA); **Lang**
Nguyen, Dollard-des-Ormeaux (CA)

(73) Assignee: **Cobra Fixations Cie. Ltee.-Cobra**
Anchors Co. Ltd., Montreal, Quebec
(CA)

(**) Term: **14 Years**

(21) Appl. No.: **29/386,810**

(22) Filed: **Mar. 4, 2011**

Related U.S. Application Data

(62) Division of application No. 29/346,412, filed on Oct.
30, 2009, now Pat. No. Des. 635,843.

(51) **LOC (9) Cl.** **08-05**

(52) **U.S. Cl.** **D8/367**

(58) **Field of Classification Search** D8/367,
D8/368, 372; 248/301, 304, 215
See application file for complete search history.

(56) **References Cited**

U.S. PATENT DOCUMENTS

165,206	A	7/1875	Brown
365,725	A	6/1887	Buckland
738,074	A	9/1903	Schick
739,512	A	9/1903	Stannard
745,722	A	12/1903	Jung
1,100,170	A	6/1914	Brosius
1,132,414	A	3/1915	White
1,159,420	A	11/1915	Rubly
1,161,268	A	11/1915	Tuck
1,185,587	A	5/1916	Bragg
1,210,610	A	1/1917	Dehn
1,333,692	A	3/1920	Wester
1,389,540	A	8/1921	Washington
1,409,291	A	3/1922	Giroux
1,573,557	A	2/1926	Alexander

1,637,981	A	8/1927	Baldwin
1,670,398	A	5/1928	Silvino
1,676,197	A	7/1928	Marrinan
1,780,474	A	11/1930	Glazer
1,802,934	A	4/1931	Balch
1,999,575	A	4/1935	Reuter et al.

(Continued)

FOREIGN PATENT DOCUMENTS

CA 2458320 A1 8/2004

(Continued)

OTHER PUBLICATIONS

International Search Report for PCT/CA2004/000311 mailed Jul. 14,
2004.

(Continued)

Primary Examiner — Holly Baynham

Assistant Examiner — Sheryl Lane

(74) *Attorney, Agent, or Firm* — Ungaretti & Harris LLP

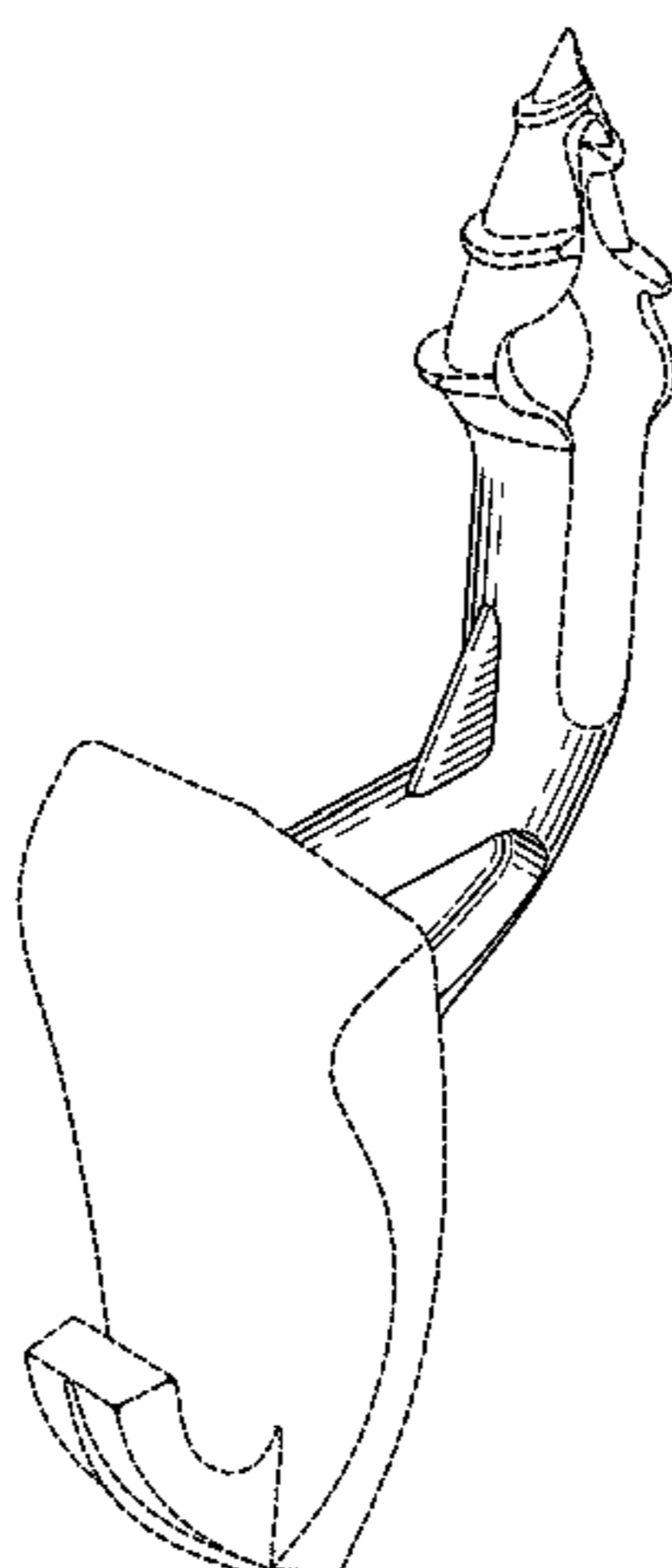
(57) **CLAIM**

We claim the ornamental design for a wall-mounted hook, as
shown and described.

DESCRIPTION

FIG. 1 is a perspective view of our ornamental design of the
wall-mounted hook;
FIG. 2 is a front view of the wall-mounted hook of FIG. 1;
FIG. 3 is a right view of the wall-mounted hook of FIG. 1;
FIG. 4 is a left view of the wall-mounted hook of FIG. 1;
FIG. 5 is a top view of the wall-mounted hook of FIG. 1;
FIG. 6 is a rear view of the wall-mounted hook of FIG. 1; and,
FIG. 7 is a bottom view of the wall-mounted hook of FIG. 1.
The broken line showing of the figures is included for the
purpose of illustrating portions of the article and forms no part
of the claimed design.

1 Claim, 3 Drawing Sheets



US D649,022 S

Page 2

U.S. PATENT DOCUMENTS

2,193,306	A	3/1940	Tinnerman
2,282,631	A	5/1942	Winship
2,339,841	A	1/1944	Deuchler et al.
D170,196	S	8/1953	Gries
2,698,470	A	1/1955	Buedingen
2,751,807	A	6/1956	Harre
2,883,946	A	4/1959	Kleef
2,908,196	A	10/1959	Apfelzweig
2,916,235	A	12/1959	Nagel
3,020,602	A	2/1962	Siering
3,127,807	A	4/1964	Modrey
3,143,915	A	8/1964	Tendler
3,248,994	A	5/1966	Mortensen
3,268,195	A	8/1966	Hoffman
3,282,547	A	11/1966	Ables
3,288,014	A	11/1966	Aackersberg
3,298,651	A	1/1967	Passer
3,618,447	A	11/1971	Goins
3,645,163	A	2/1972	Byland
3,707,898	A	1/1973	Holly
3,752,030	A	8/1973	Steurer
3,861,631	A	1/1975	Shorin
3,891,176	A	6/1975	Downing et al.
3,912,211	A	10/1975	Topf
3,926,394	A	12/1975	Mauceri et al.
3,966,157	A	6/1976	Corral et al.
4,043,245	A	8/1977	Kaplan
4,075,924	A	2/1978	McSherry et al.
4,120,231	A	10/1978	Neumayer
4,181,061	A	1/1980	McSherry
D259,700	S	6/1981	Chasen
4,274,324	A	6/1981	Giannuzzi
4,285,264	A	8/1981	Einhorn
4,286,497	A	9/1981	Shamah
4,294,156	A	10/1981	McSherry et al.
4,300,745	A	11/1981	Peterson
4,406,108	A	9/1983	Beck et al.
4,573,844	A	3/1986	Smith
4,613,108	A	9/1986	Sundstrom et al.
4,619,430	A	10/1986	Hogg
4,650,386	A	3/1987	McSherry et al.
4,697,969	A	10/1987	Sparkes
4,719,917	A	1/1988	Barrows et al.
4,821,992	A	4/1989	Johnson
4,822,226	A	4/1989	Kennedy
D301,975	S	7/1989	Mullen
4,871,140	A	10/1989	Hoskinson et al.
5,028,030	A	7/1991	Lewis
5,059,077	A	10/1991	Schmid
5,067,864	A	11/1991	Dewey et al.
5,149,037	A	9/1992	Smith
5,215,418	A	6/1993	Trainer et al.
5,221,169	A	6/1993	McSherry et al.
5,236,293	A	8/1993	McSherry et al.
D339,980	S	10/1993	Sheehan
5,267,718	A	12/1993	Sheehan
5,267,719	A	12/1993	Keller
5,308,203	A	5/1994	McSherry et al.
5,322,401	A	6/1994	Vernet
5,437,429	A	8/1995	Atlas
5,529,449	A	6/1996	McSherry et al.
5,536,121	A	7/1996	McSherry
5,584,462	A	12/1996	Reese
5,596,792	A	1/1997	Shelton

5,702,218	A	12/1997	Onofrio
5,725,302	A	3/1998	Sirkin
5,752,792	A	5/1998	McSherry
5,755,545	A	5/1998	Banks
5,833,415	A	11/1998	McSherry
D404,287	S	1/1999	Hepworth
5,876,169	A	3/1999	Wrigley
5,878,988	A	3/1999	Rakower
D409,082	S	5/1999	Donahue
5,944,295	A	8/1999	McSherry
D417,385	S	12/1999	Bries et al.
6,036,149	A	3/2000	Del Pino et al.
D424,816	S	5/2000	Snell
6,126,126	A	10/2000	McKiernan, Jr.
6,250,865	B1	6/2001	McSherry
6,279,862	B1	8/2001	Gershowitz
D457,419	S	5/2002	McSherry et al.
6,419,436	B1	7/2002	Gaudron
6,435,789	B2	8/2002	Gaudron
6,457,926	B1	10/2002	Pope
D473,451	S	4/2003	Goodman et al.
D480,292	S	10/2003	Johansson et al.
D480,625	S	10/2003	Snell
D486,057	S	2/2004	Chen
D493,699	S	8/2004	Goodman et al.
D494,452	S	8/2004	Sheldon et al.
6,821,069	B2	11/2004	Ikuta
6,830,228	B2	12/2004	Ernst
6,884,012	B2	4/2005	Panasik
D515,911	S	2/2006	McDuff
D516,412	S	3/2006	McDuff
7,160,074	B2	1/2007	Ernst et al.
D554,481	S	11/2007	Newbould et al.
D554,483	S	11/2007	Hager et al.
D557,595	S	12/2007	Ernst et al.
D566,532	S	4/2008	Wolff
7,395,998	B2	7/2008	Peterson
7,547,171	B2	6/2009	McDuff
D596,930	S	7/2009	Gaudron
D607,311	S	1/2010	Snider
7,694,401	B2	4/2010	Peterson
7,713,013	B2	5/2010	Sedgwick et al.
D635,843	S	4/2011	McDuff et al.
D636,256	S	4/2011	McDuff et al.
2001/0046429	A1	11/2001	Gaudron
2007/0124910	A1	6/2007	Peterson et al.
2007/0235622	A1	10/2007	Baran et al.
2008/0253860	A1	10/2008	McDuff et al.

FOREIGN PATENT DOCUMENTS

CA	2420718	9/2004
CH	491296	5/1970
EP	0713981 A1	5/1996
WO	96/02170	2/1996
WO	96/16273	5/1996
WO	2004079209 A1	9/2004

OTHER PUBLICATIONS

International Search Report for PCT/CA2006/000419 mailed Jul. 6, 2006.

International Search Report for PCT/CA2006/000428 mailed Jul. 13, 2006.

International Search Report for PCT/US2003/039974 mailed Jul. 16, 2004.

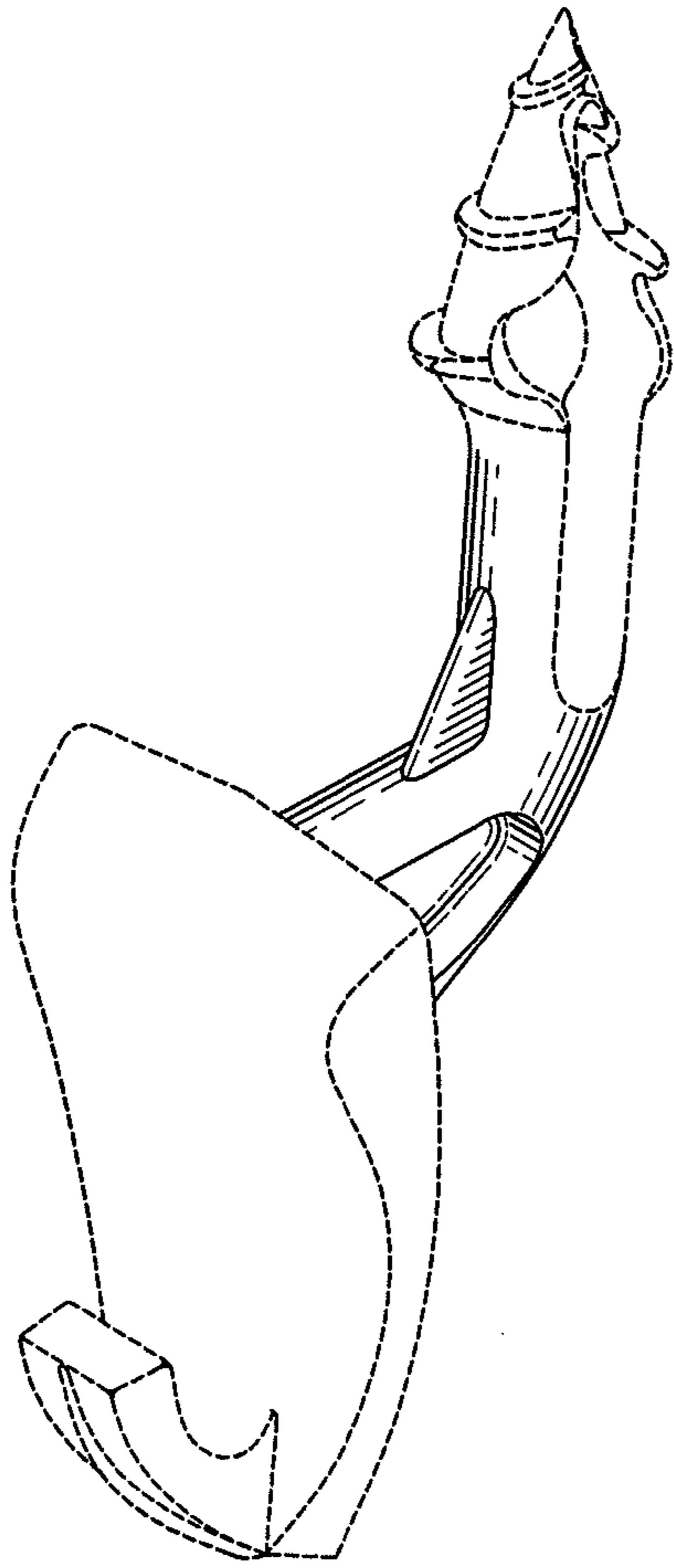


FIG. 1

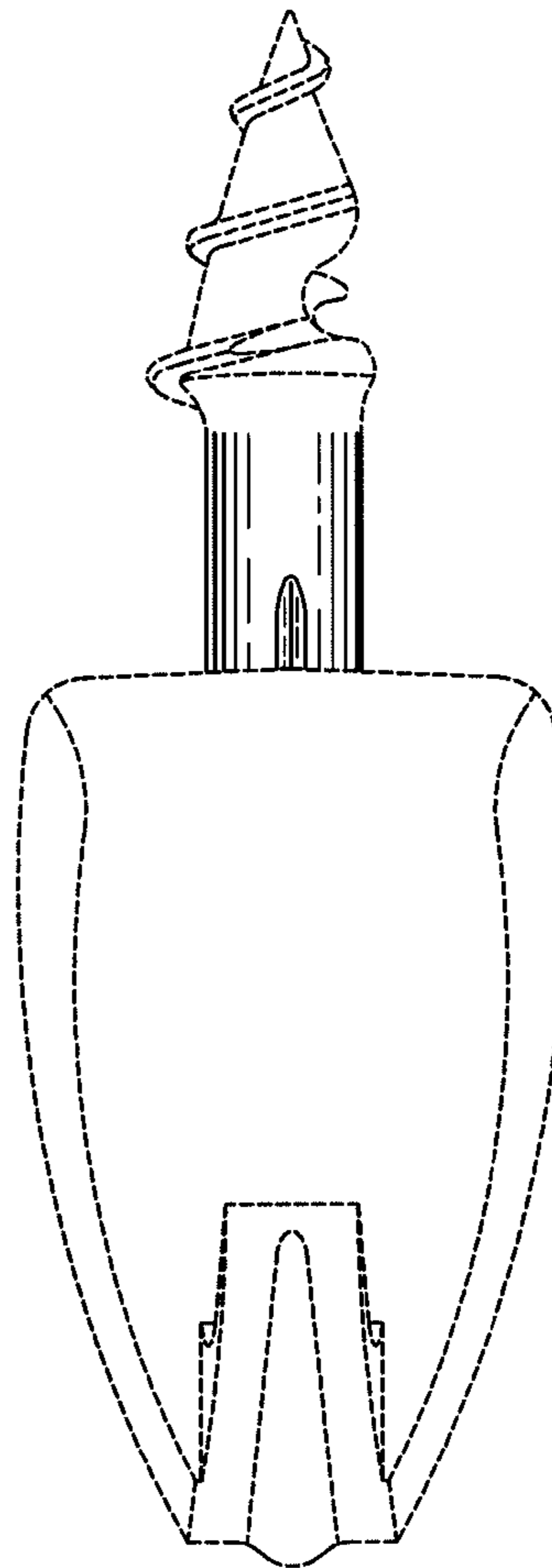


FIG. 2

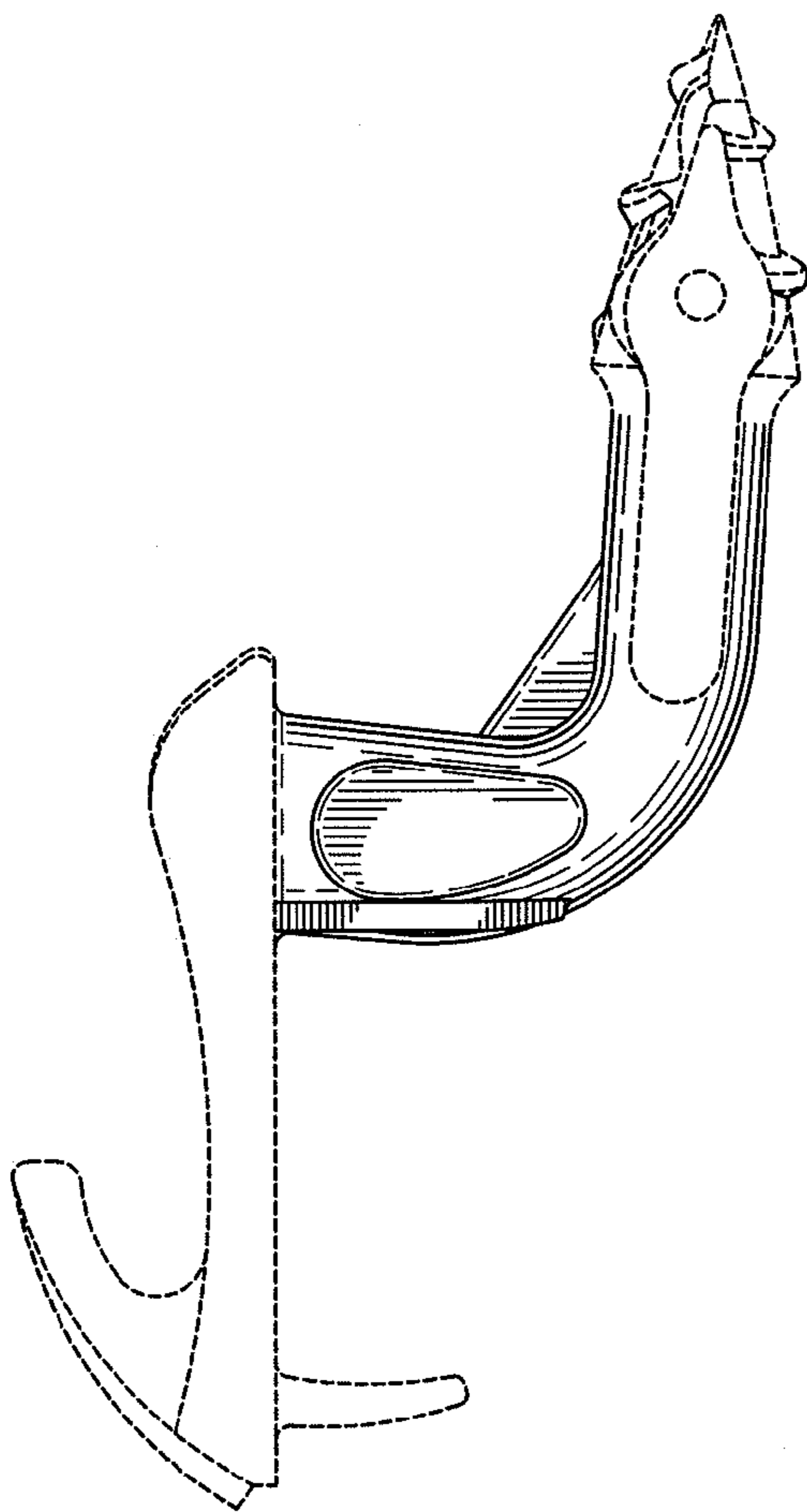


FIG. 3

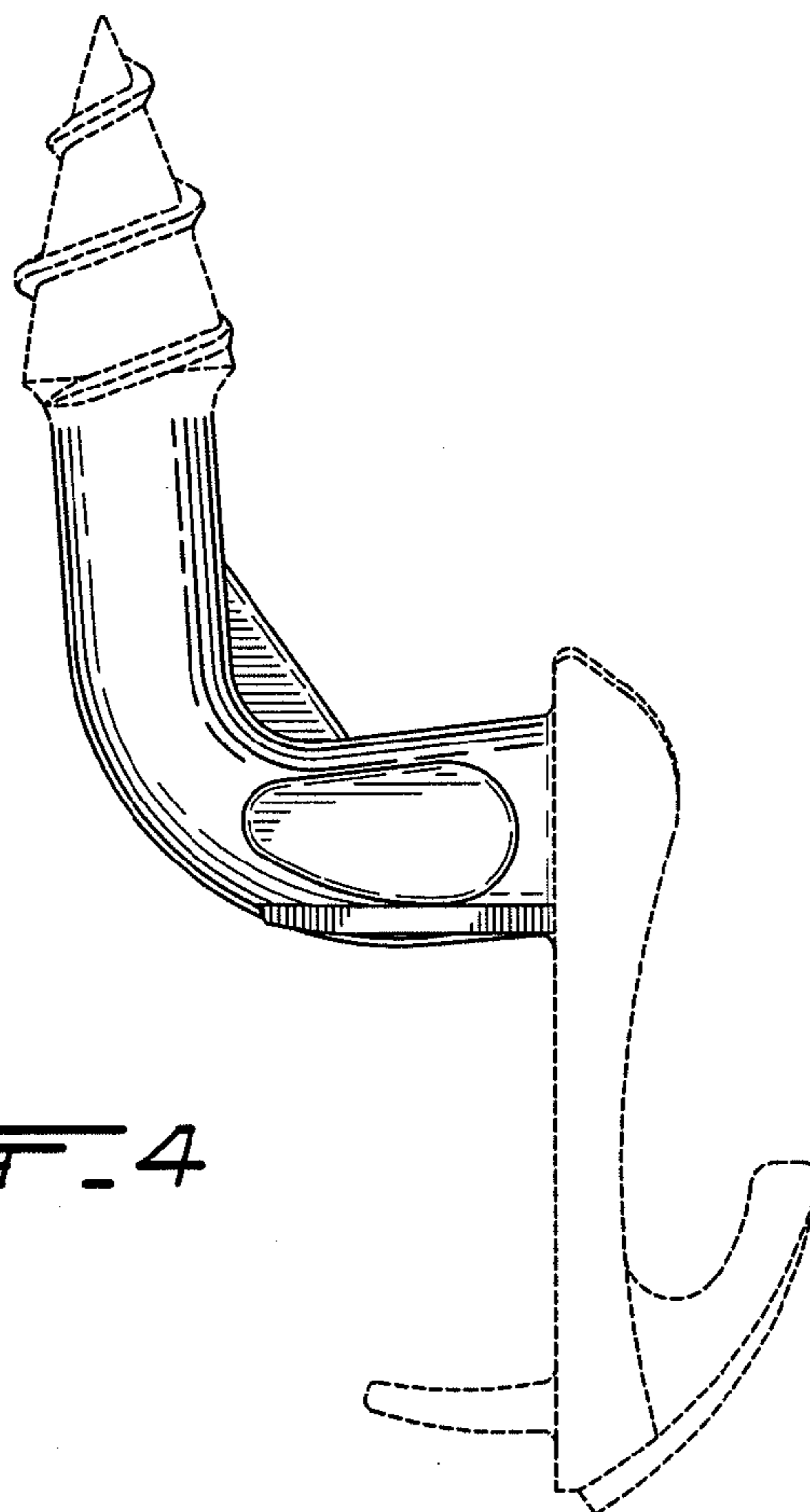


FIG. 4

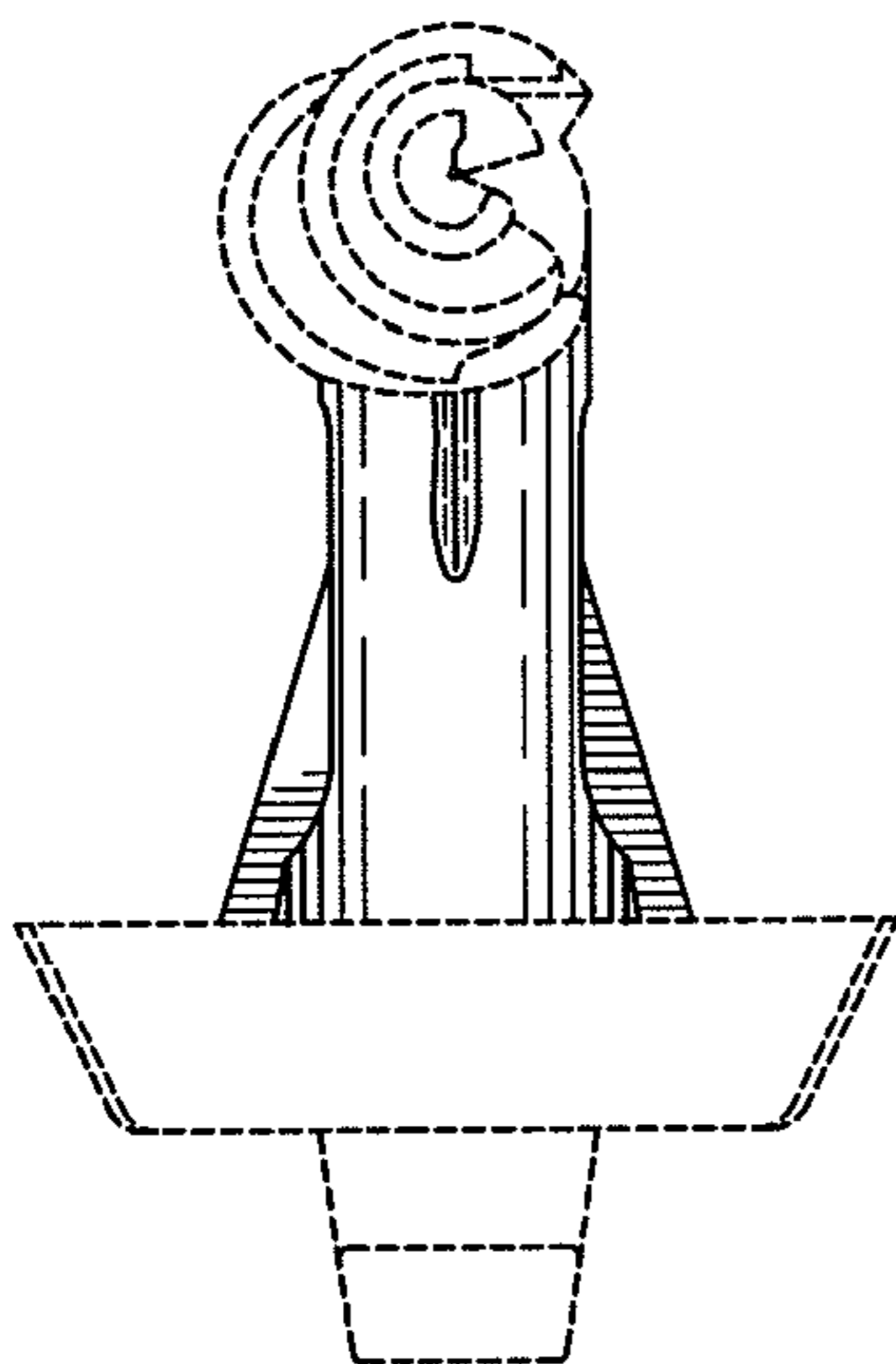


FIG. 5

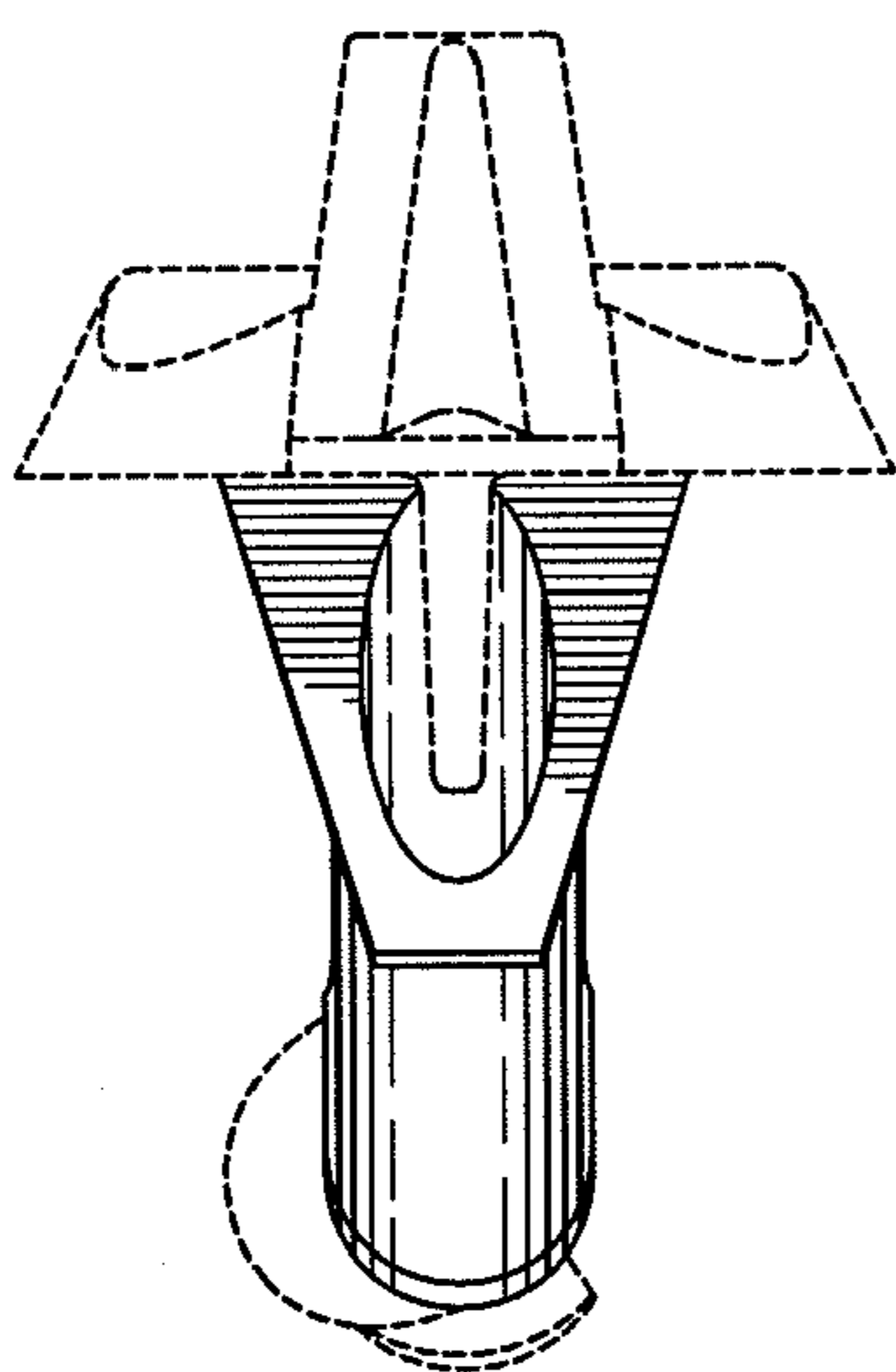


FIG. 7

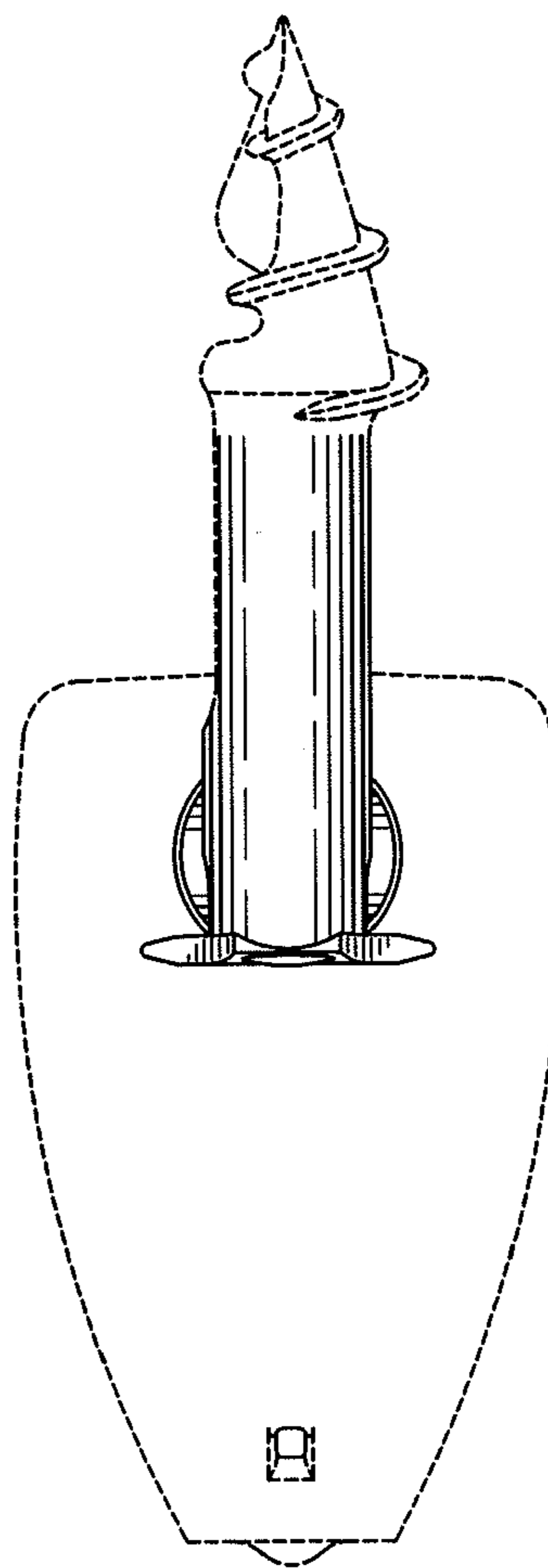


FIG. 6