



US00D649021S

(12) **United States Design Patent**  
**Jariwala et al.**

(10) **Patent No.:** **US D649,021 S**

(45) **Date of Patent:** **\*\* Nov. 22, 2011**

(54) **HOOK WITH INTEGRATED STORAGE**

(75) Inventors: **Hetal Jariwala**, Albany, CA (US); **Eva Bayer**, Albany, CA (US)

(73) Assignee: **Flip & Tumble, LLC**, Albany, CA (US)

(\*\*) Term: **14 Years**

(21) Appl. No.: **29/373,541**

(22) Filed: **Apr. 22, 2011**

(51) **LOC (9) Cl.** ..... **08-05**

(52) **U.S. Cl.** ..... **D8/367**

(58) **Field of Classification Search** ..... D8/367,  
D8/354, 349; 248/227.2, 308, 215, 231.81,  
248/304; 16/256, 258; D7/509, 367  
See application file for complete search history.

(56) **References Cited**

U.S. PATENT DOCUMENTS

4,784,555 A \* 11/1988 Cantrell ..... 411/431  
D365,499 S \* 12/1995 Welker ..... D7/509  
6,668,672 B2 \* 12/2003 Kuo et al. .... 74/424.82

D492,357 S \* 6/2004 Tien ..... D19/83  
D501,886 S \* 2/2005 Chen et al. .... D19/85  
D531,452 S \* 11/2006 Toth ..... D7/523  
D540,620 S \* 4/2007 Bushkovsky ..... D7/509  
D550,039 S \* 9/2007 Haberli ..... D7/523  
D611,301 S \* 3/2010 Amano ..... D7/509  
D623,049 S \* 9/2010 Zeyfang ..... D8/397

\* cited by examiner

*Primary Examiner* — Cynthia Underwood

(57) **CLAIM**

The ornamental design for a hook with integrated storage, as shown and described

**DESCRIPTION**

FIG. 1 is a perspective view of the hook with integrated storage.

FIG. 2 is a front view of the hook with integrated storage.

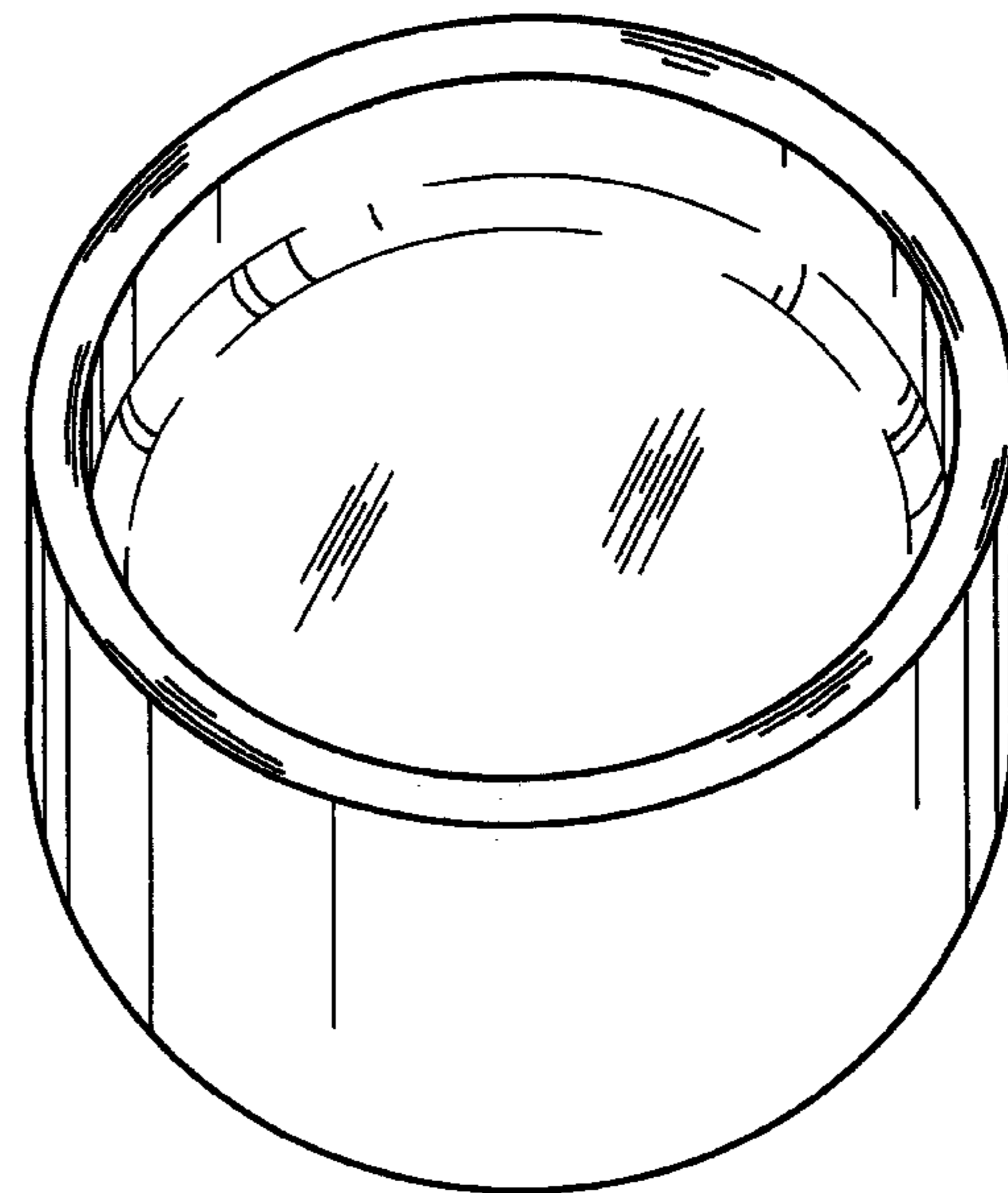
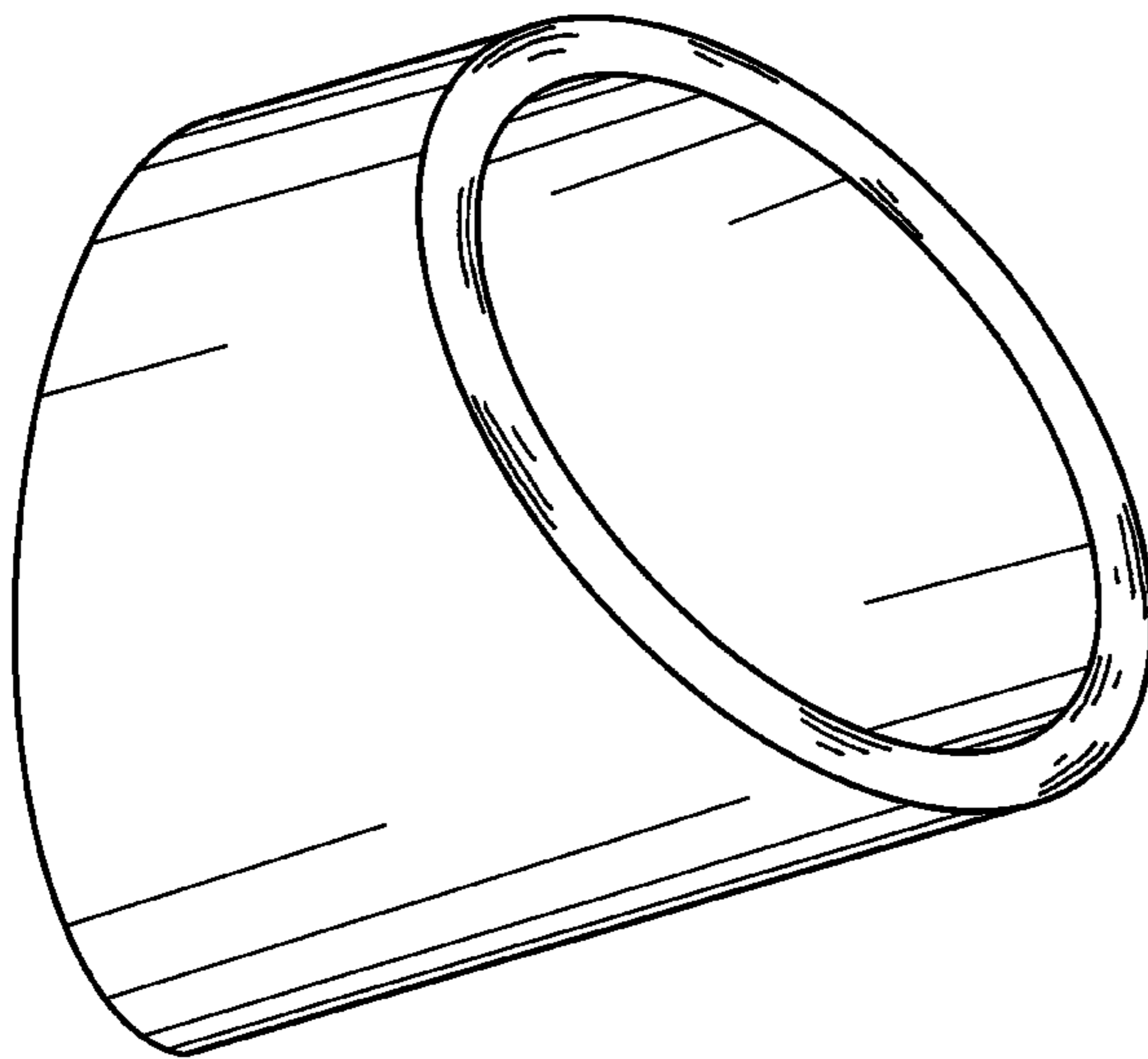
FIG. 3 is a left side view of the hook with integrated storage.

A right side view of the hook with integrated storage would be a vertically mirrored image thereof.

FIG. 4 is a top view of the hook with integrated storage; and,

FIG. 5 is a bottom view of the hook with integrated storage.

**1 Claim, 5 Drawing Sheets**



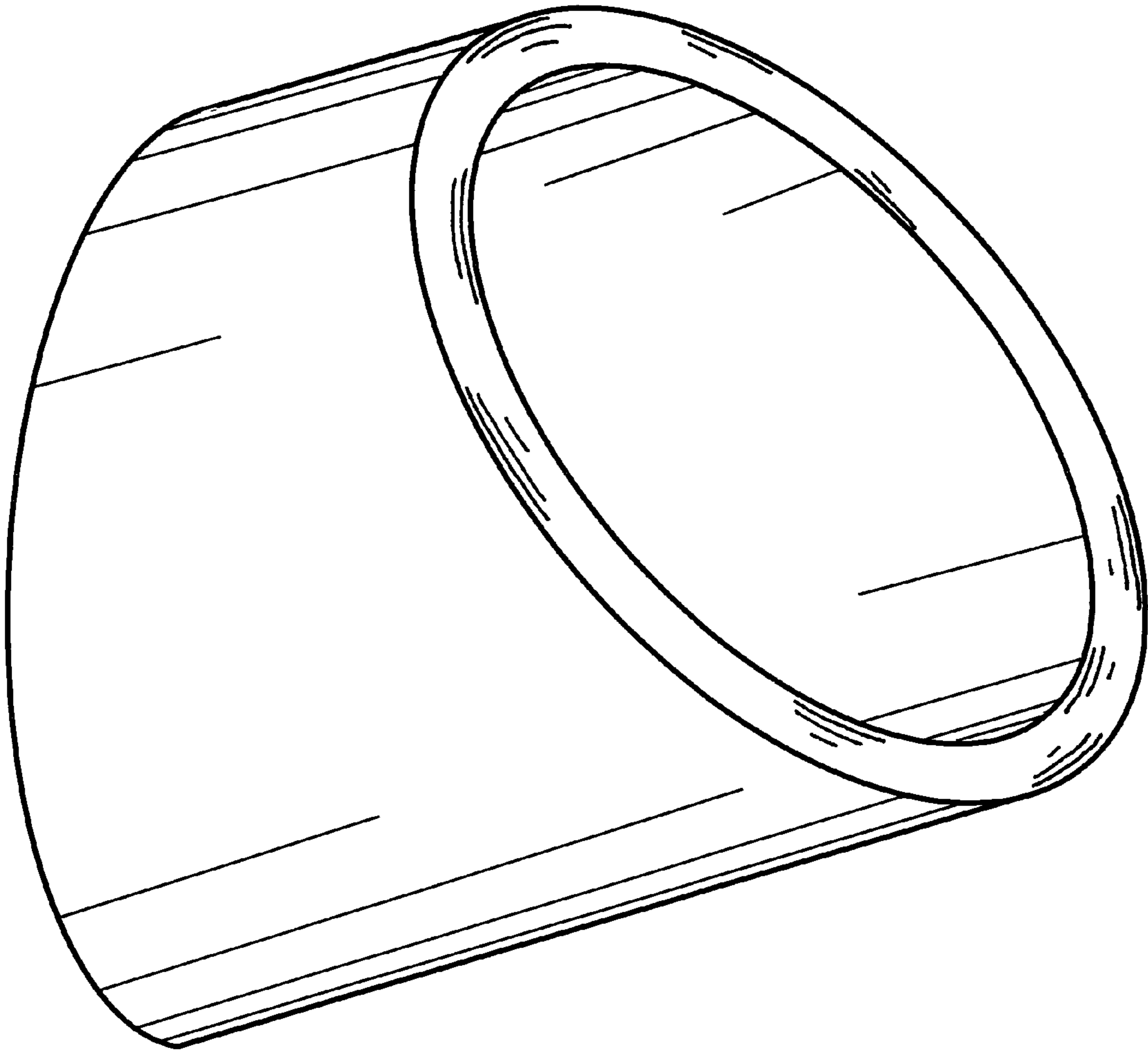


FIGURE 1

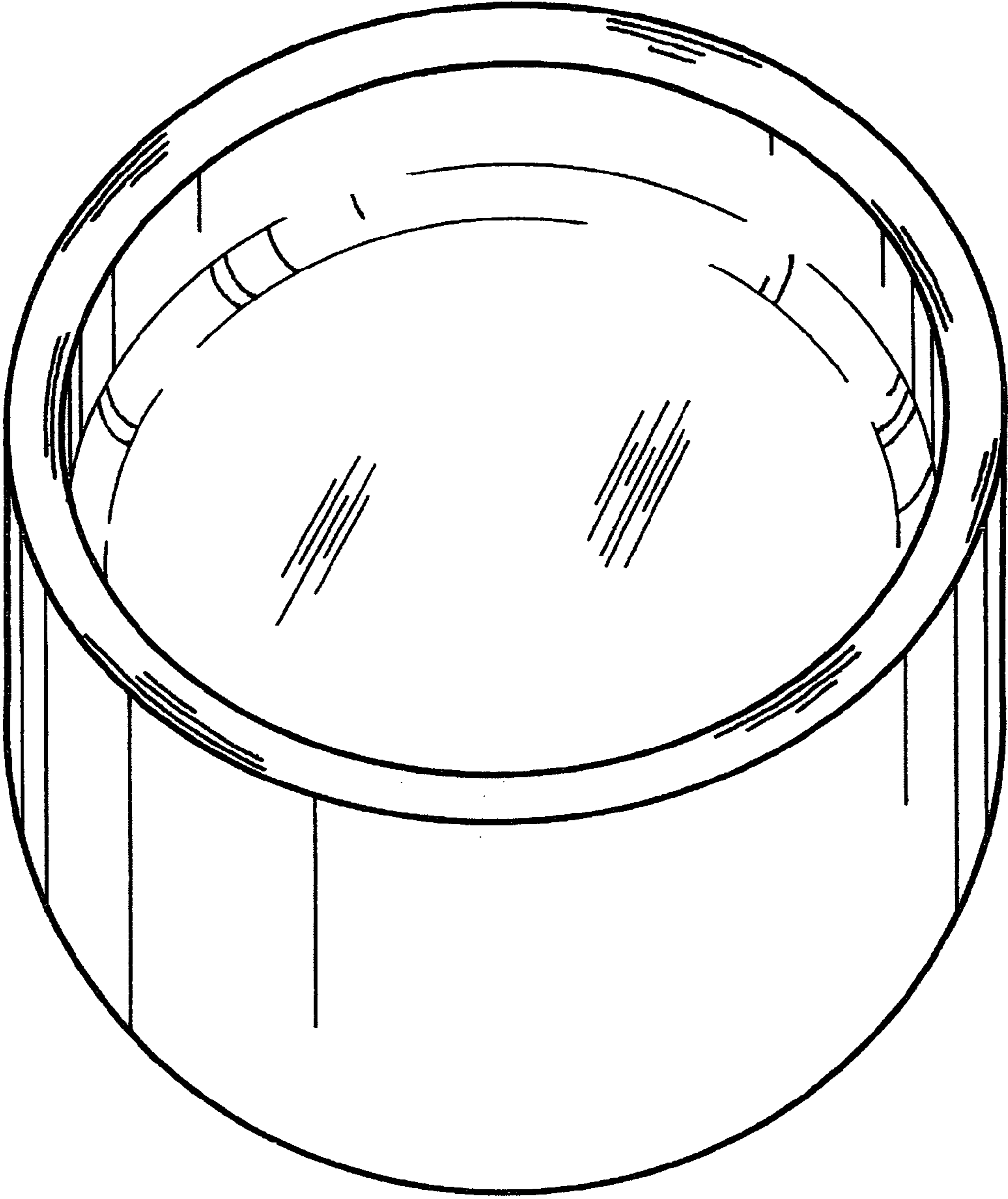


FIGURE 2

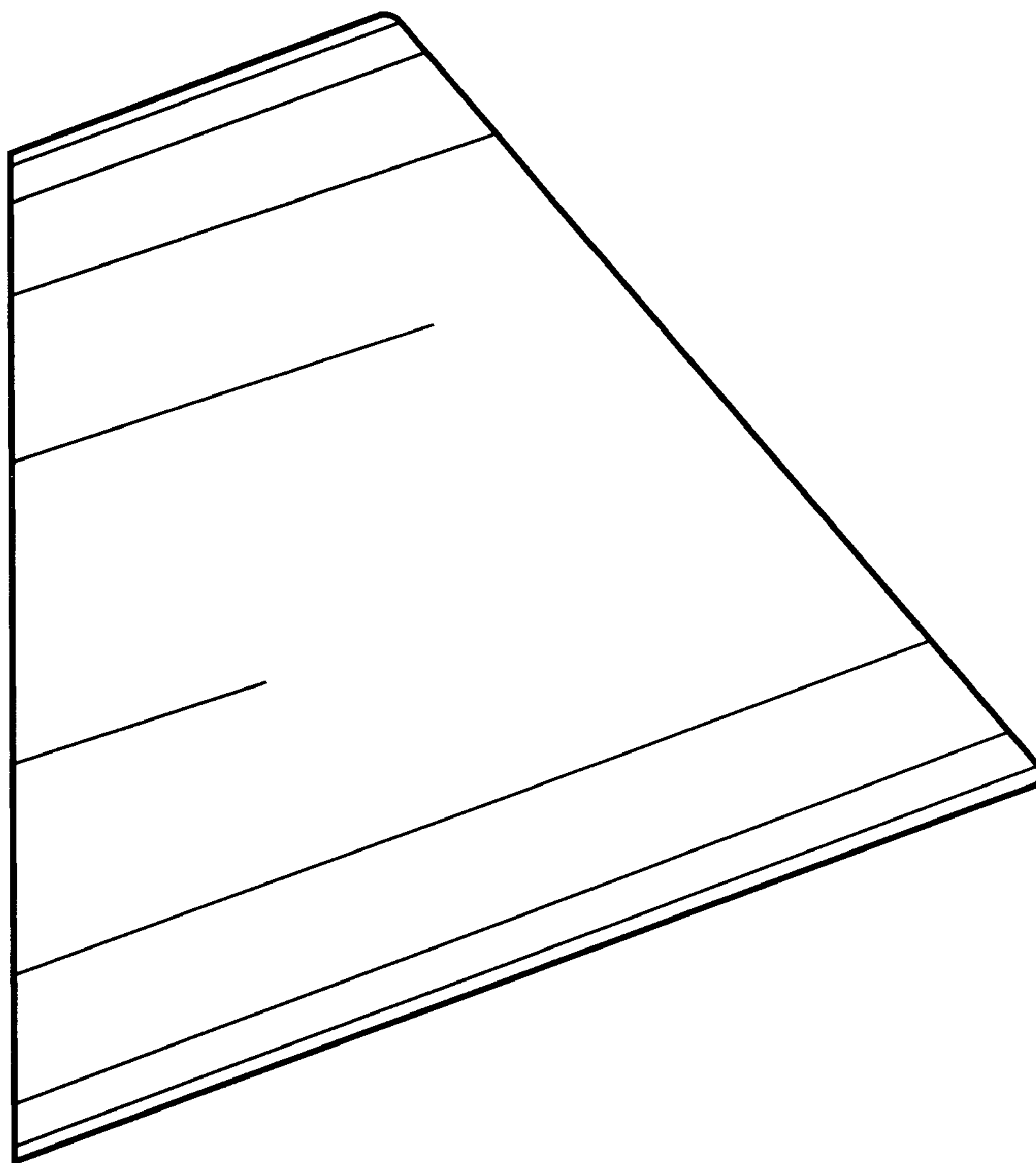


FIGURE 3

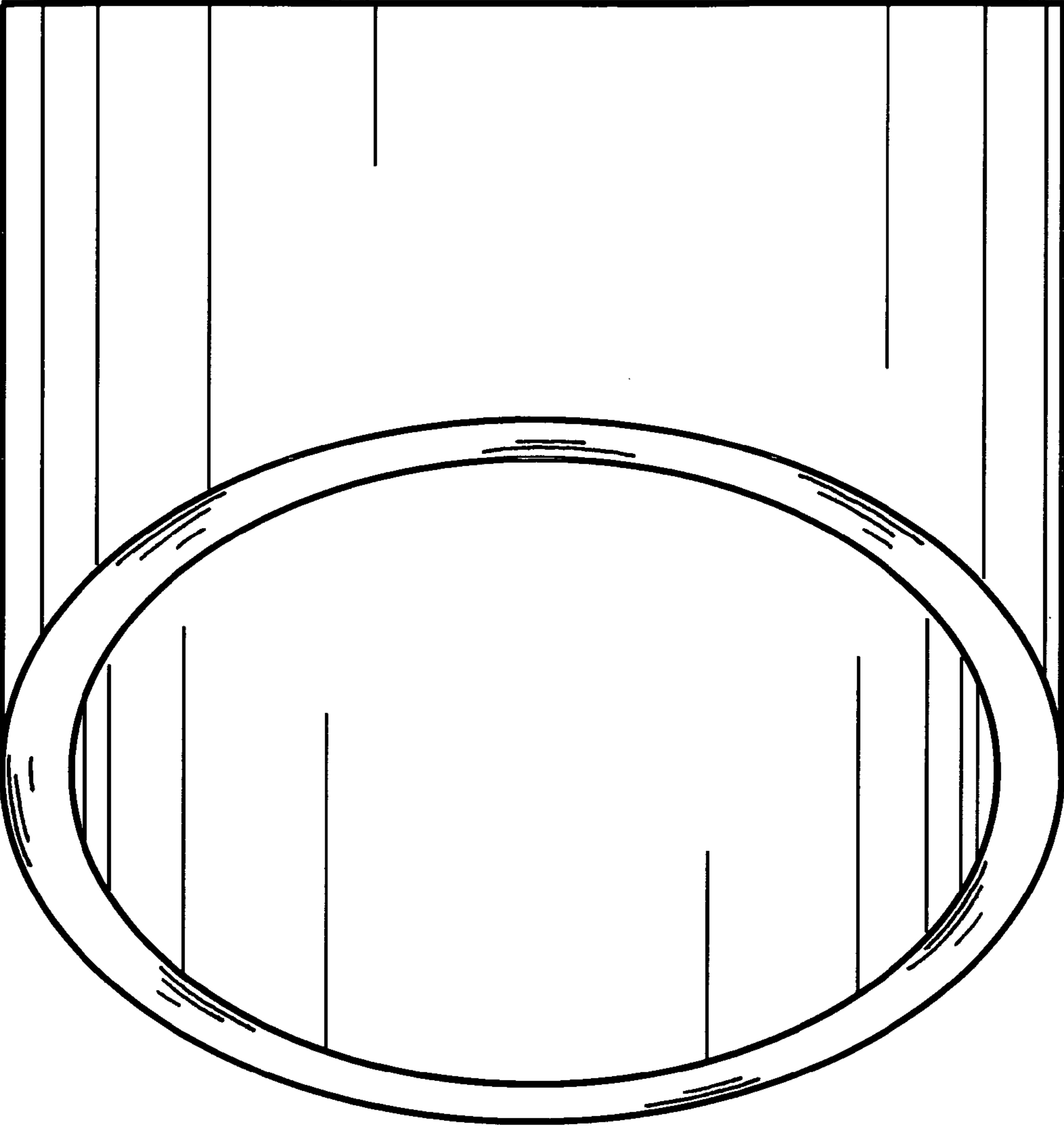


FIGURE 4

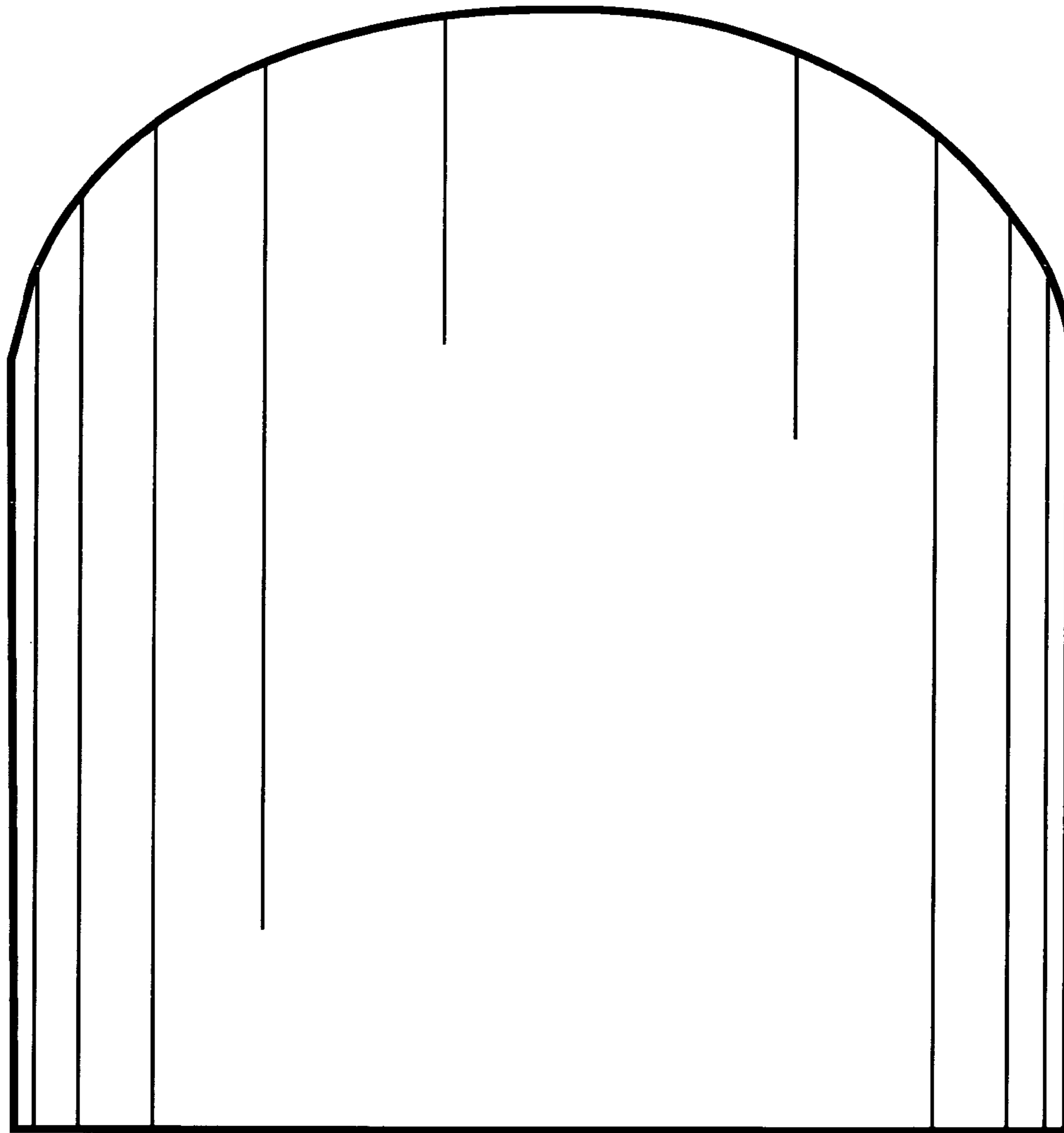


FIGURE 5