



US00D649017S

(12) **United States Design Patent**
Stieler

(10) **Patent No.:** **US D649,017 S**

(45) **Date of Patent:** **** Nov. 22, 2011**

(54) **CORD WRAP AND CHARGING CABLE ASSEMBLY**

2005/0046385 A1 3/2005 Chung
2005/0180736 A1 8/2005 Zobebe
2010/0139950 A1 6/2010 Chen

(75) Inventor: **Kelly Ann Stieler**, Detroit, MI (US)

* cited by examiner

(73) Assignee: **Yazaki North America, Inc.**, Canton, MI (US)

Primary Examiner — Cynthia Underwood

(74) *Attorney, Agent, or Firm* — Harness, Dickey & Pierce, P.L.C.

(**) Term: **14 Years**

(21) Appl. No.: **29/382,606**

(57) **CLAIM**

The ornamental design for a cord wrap and charging cable assembly, as shown and described.

(22) Filed: **Jan. 5, 2011**

(51) **LOC (9) Cl.** **08-05**

(52) **U.S. Cl.** **D8/356**

(58) **Field of Classification Search** D8/356,
D8/397, 367, 394, 382, 349, 354, 373; 174/68.3;
D6/513, 113; 411/431; 256/19; D13/133;
24/115 F; 439/501; 320/111, 114
See application file for complete search history.

DESCRIPTION

FIG. 1 is a front perspective view of a cord wrap and charging cable assembly according to the present disclosure;
FIG. 2 is a front view thereof;
FIG. 3 is a rear view thereof;
FIG. 4 is a side view thereof;
FIG. 5 is a top view thereof;
FIG. 6 is a bottom view thereof;
FIG. 7 is a sectional view thereof taken along line 7-7 in FIG. 3 with the charging cable assembly not shown;
FIG. 8 is a sectional view thereof taken along line 8-8 in FIG. 3 with the charging cable assembly not shown;
FIG. 9 is a sectional view thereof taken along line 9-9 in FIG. 3 with the charging cable assembly not shown;
FIG. 10 is a sectional view thereof taken along line 10-10 in FIG. 3 with the charging cable assembly not shown;
FIG. 11 is a sectional view thereof taken along line 11-11 in FIG. 3 with the charging cable assembly not shown; and,
FIG. 12 is a sectional view thereof taken along line 12-12 in FIG. 3.

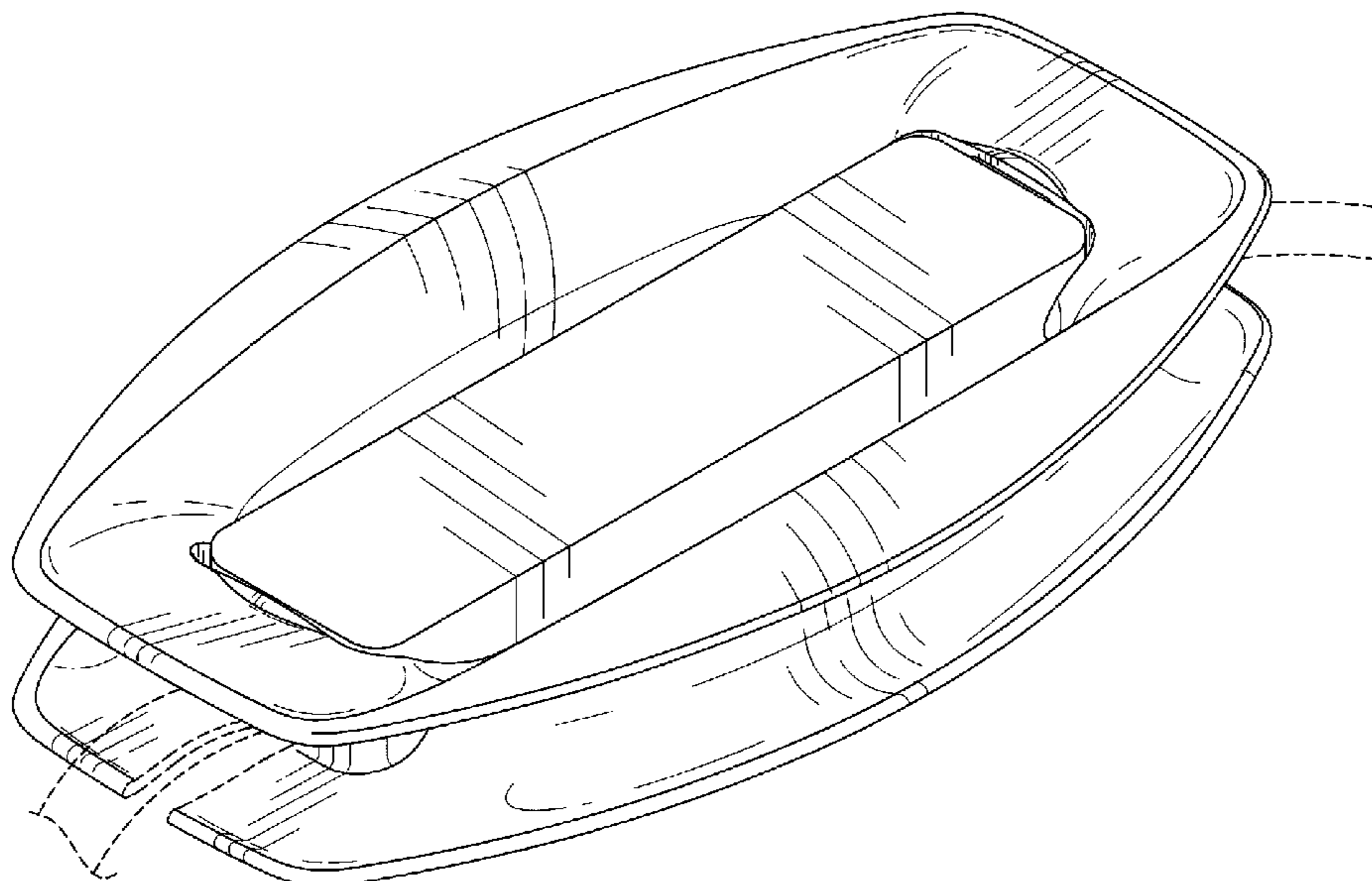
The portions of the cord wrap and charging cable assembly shown in broken lines form no part of the claimed design.

(56) **References Cited**

U.S. PATENT DOCUMENTS

D309,094	S *	7/1990	Donis et al.	D8/354
6,476,327	B1 *	11/2002	Bernard et al.	174/101
6,567,277	B1	5/2003	Doherty et al.		
D482,654	S	11/2003	Shor et al.		
6,669,135	B1 *	12/2003	Hartley	242/390.9
6,722,900	B2	4/2004	Segawa et al.		
D503,715	S *	4/2005	Sheehan et al.	D14/402
7,077,693	B1	7/2006	Symons		
D556,019	S *	11/2007	Symons	D8/356
7,563,130	B2	7/2009	Farrar et al.		
D621,240	S *	8/2010	Lutter et al.	D8/356
D623,502	S *	9/2010	Blonder	D8/356
D629,671	S *	12/2010	Ohori et al.	D8/356
7,874,411	B2 *	1/2011	Roberts et al.	191/12.2 R
D631,730	S *	2/2011	Skillman	D8/356
2003/0008550	A1	1/2003	Tse et al.		

1 Claim, 5 Drawing Sheets



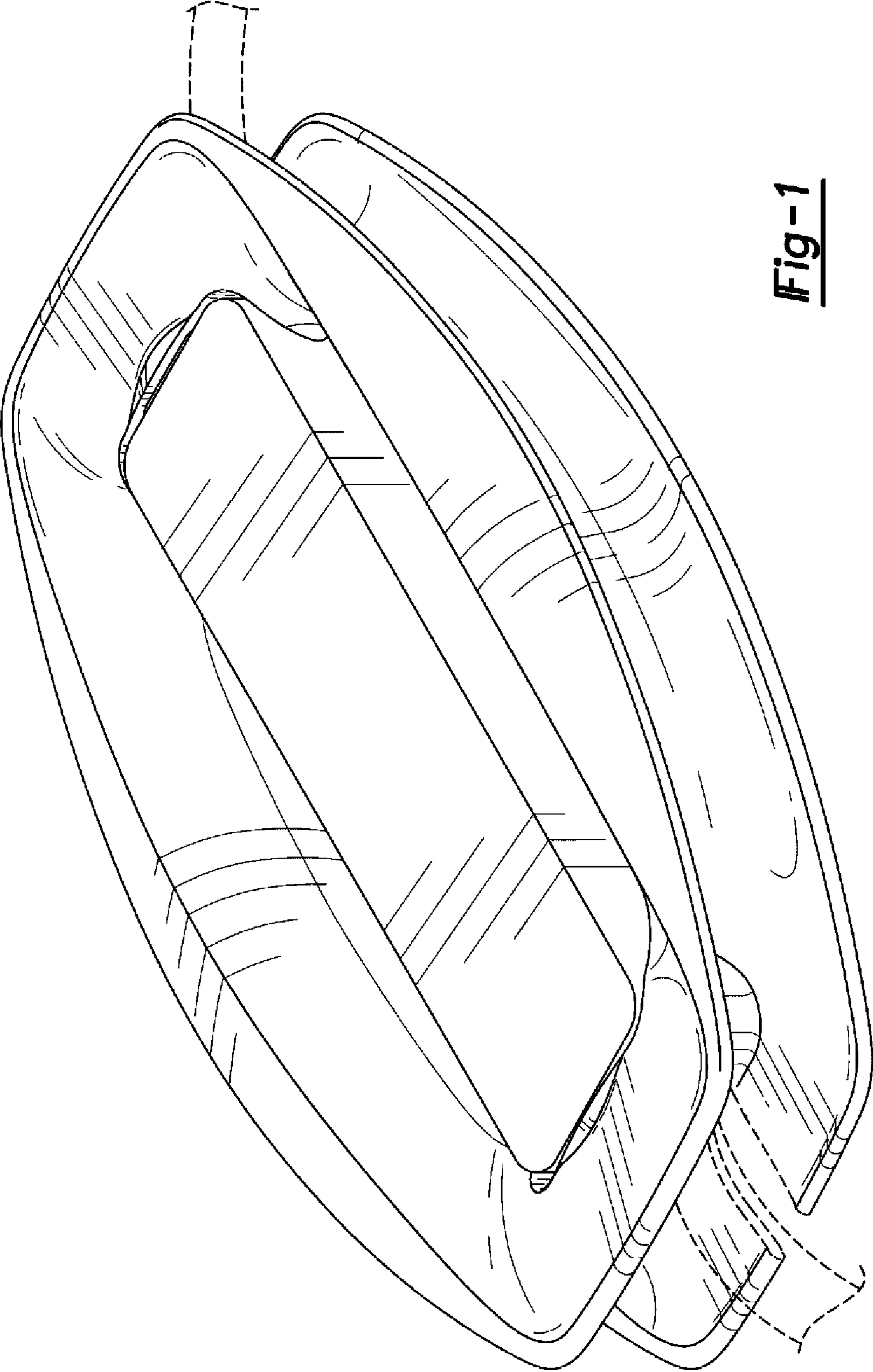


Fig-1

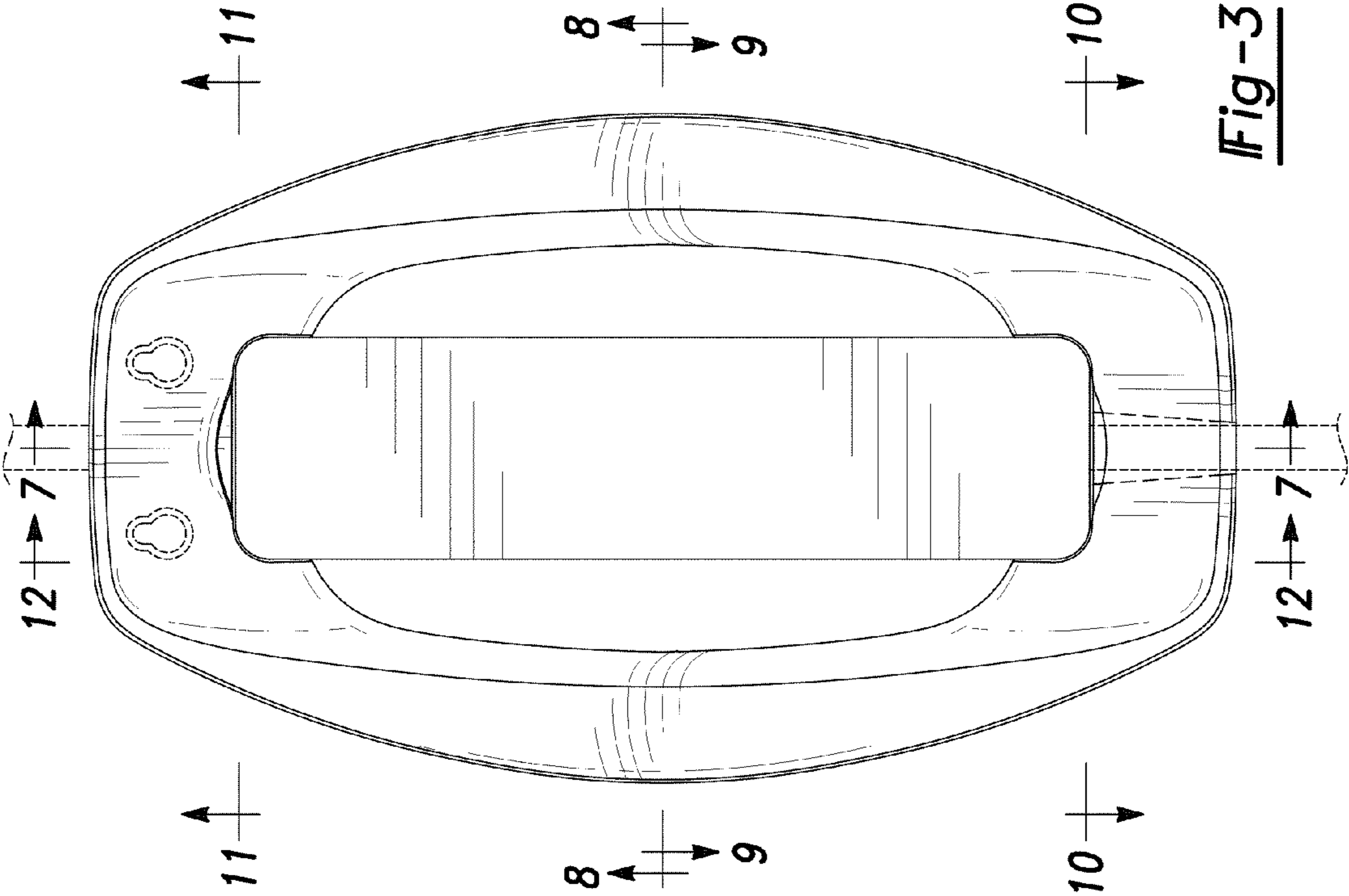


Fig-2

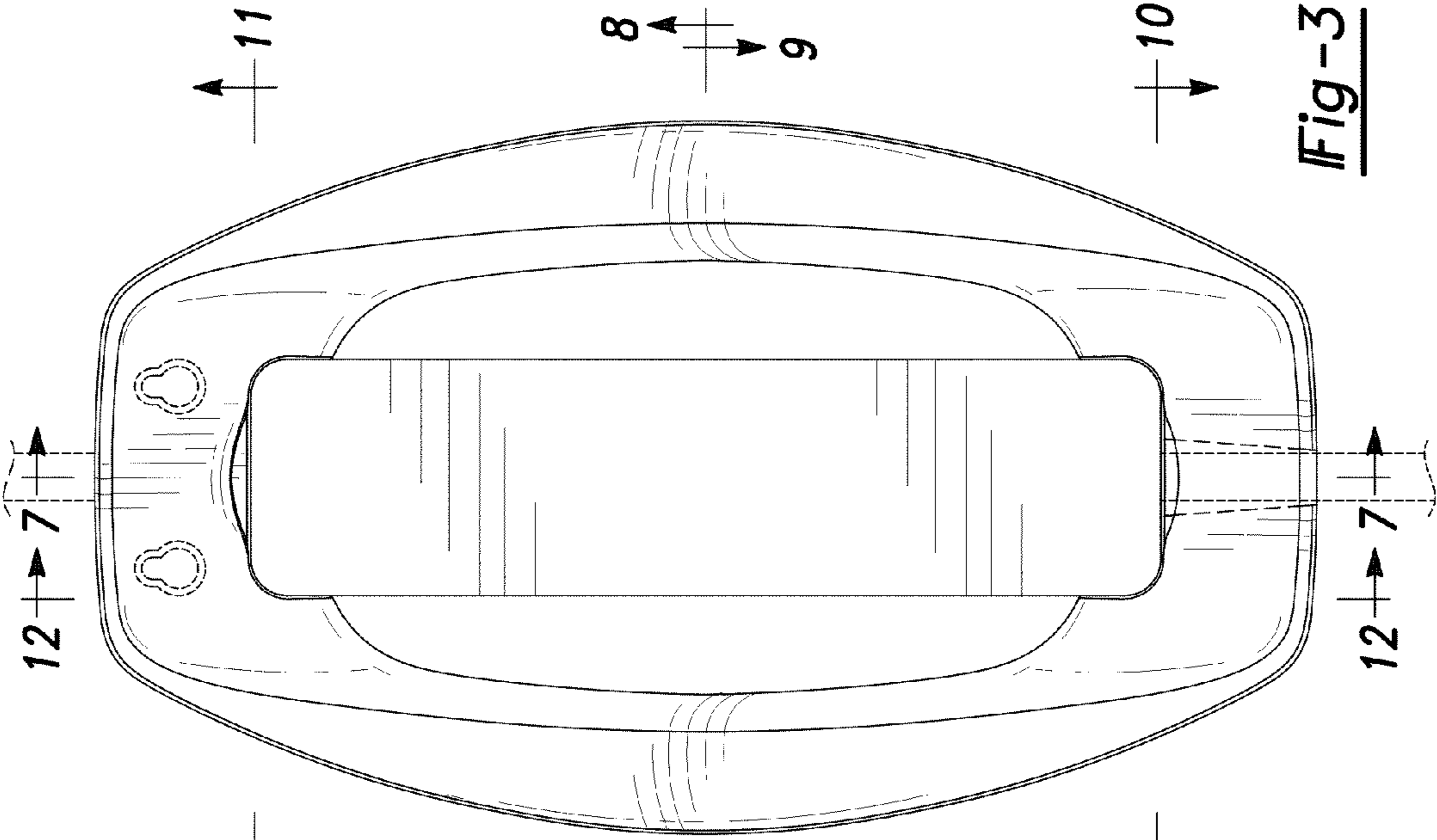


Fig-3

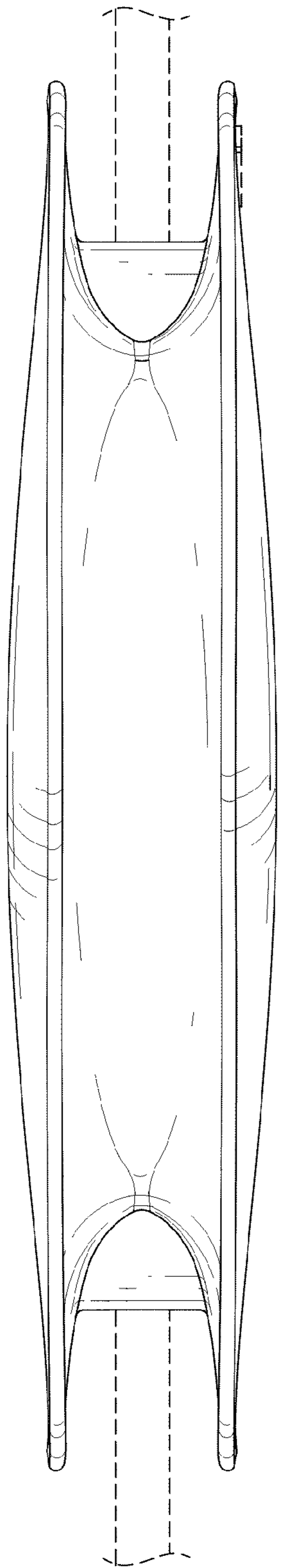


Fig-4

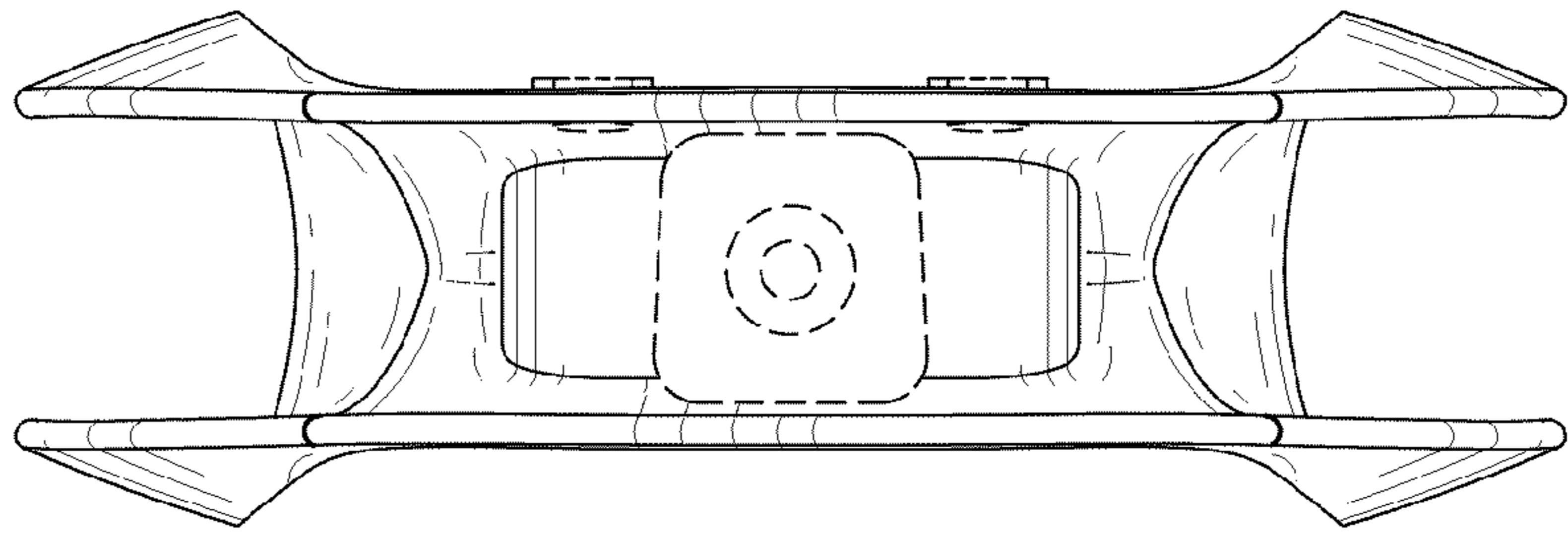


Fig-5

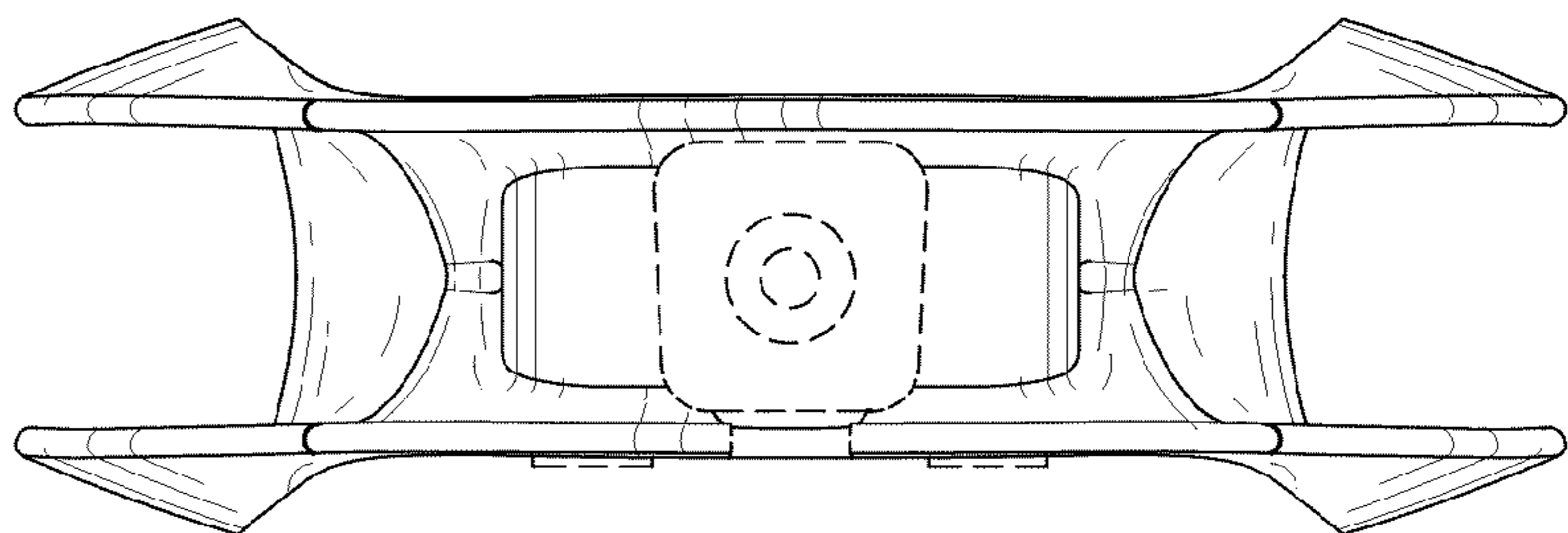


Fig-6

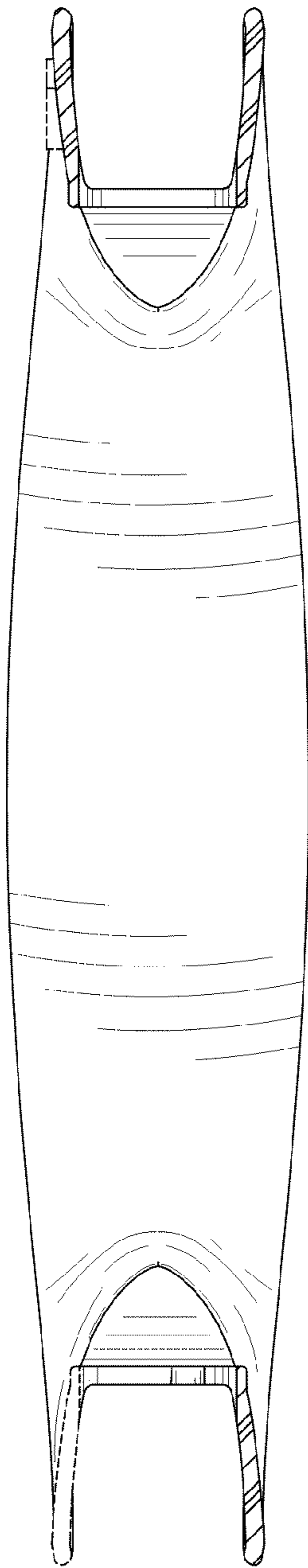


Fig-7

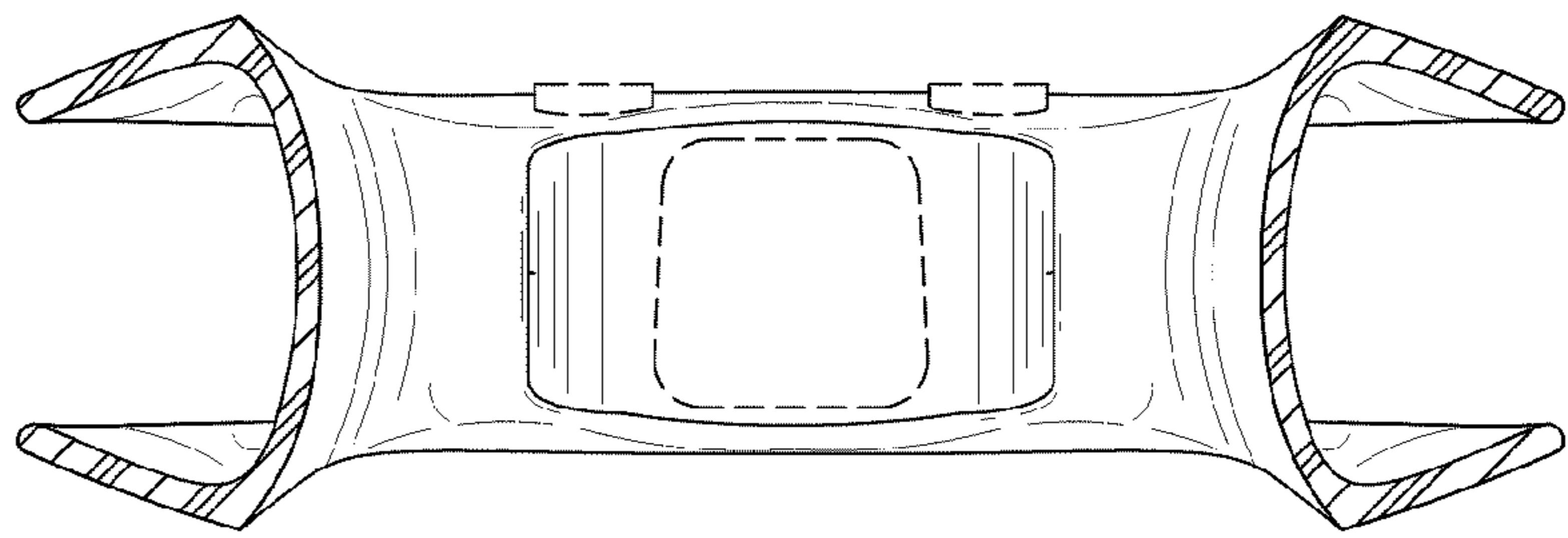


Fig-8

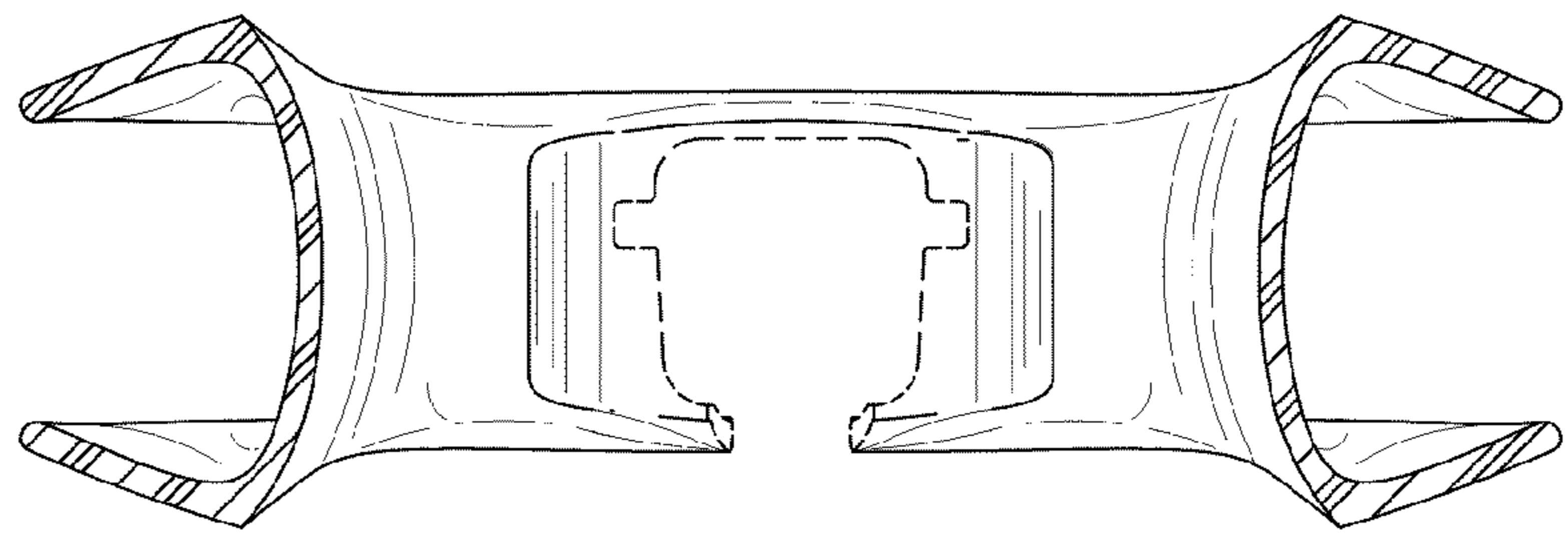


Fig-9

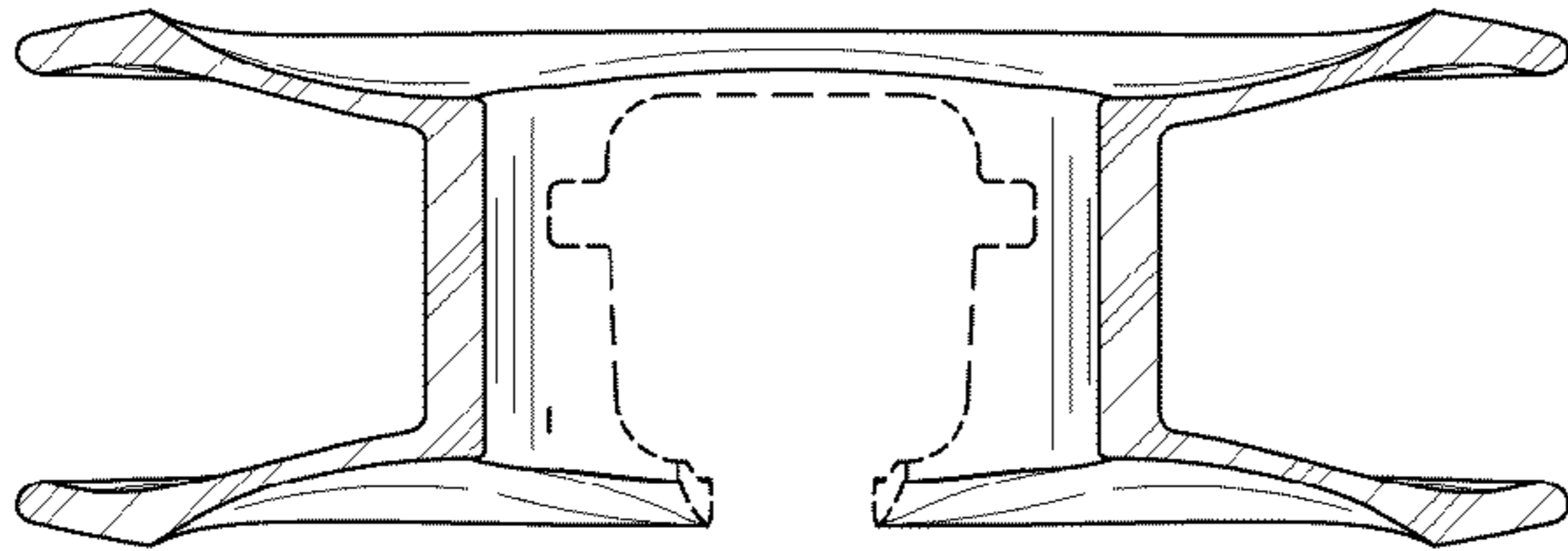


Fig-10

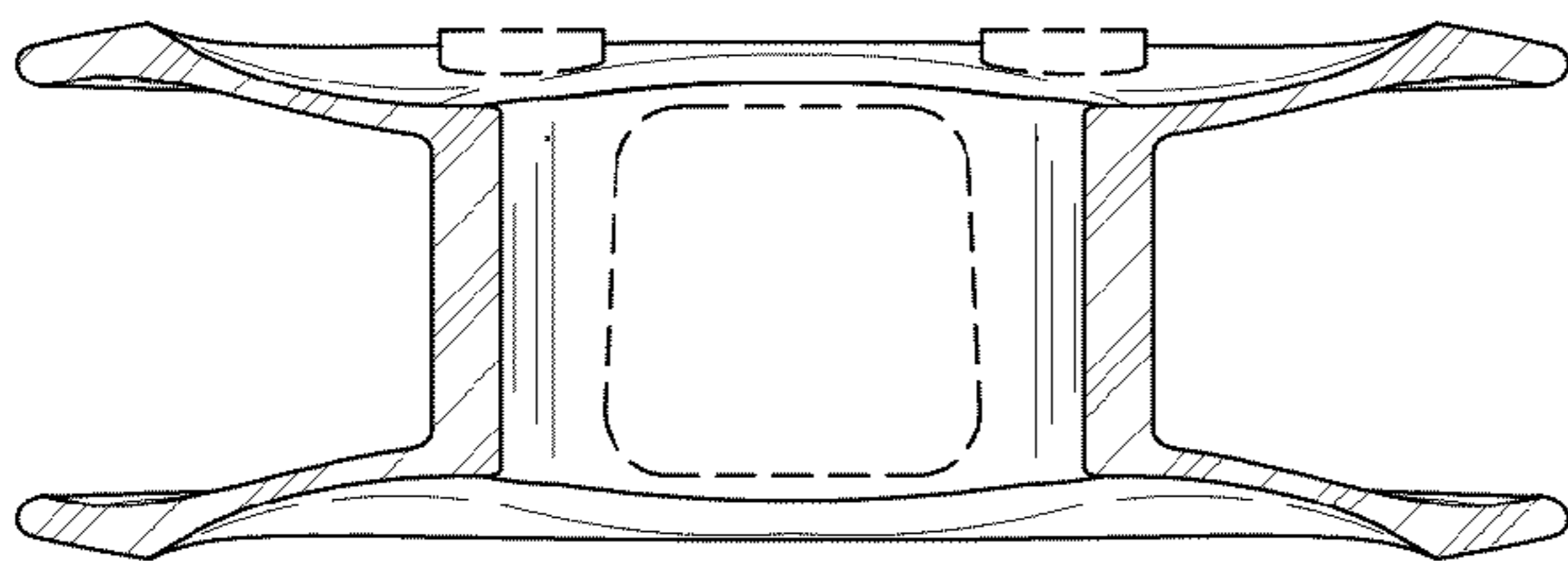


Fig-11

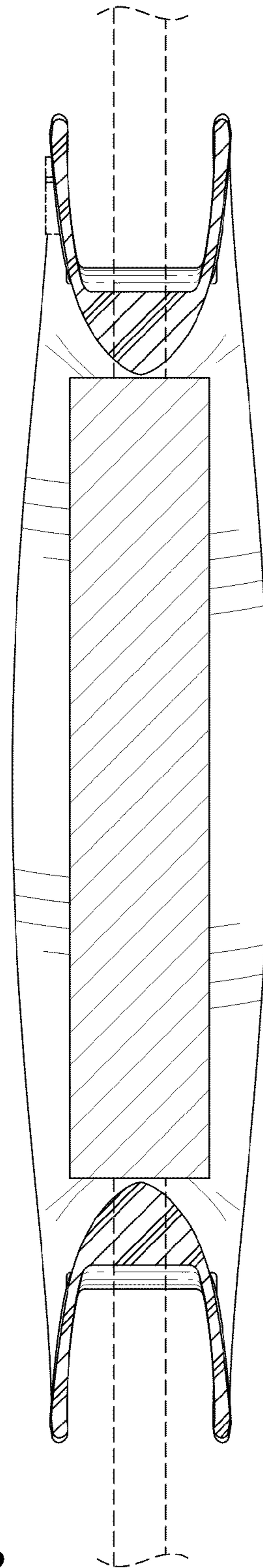


Fig-12