



US00D649016S

(12) **United States Design Patent**
Rasmussen

(10) **Patent No.:** **US D649,016 S**
(45) **Date of Patent:** **** Nov. 22, 2011**

- (54) **BED SLAT BRACKET**
- (75) Inventor: **Franklin D. Rasmussen**, West Bend, WI (US)
- (73) Assignee: **Custom Service Hardware, Inc.**, Cedarburg, WI (US)
- (**) Term: **14 Years**
- (21) Appl. No.: **29/348,779**
- (22) Filed: **Feb. 8, 2010**
- (51) **LOC (9) Cl.** **08-05**
- (52) **U.S. Cl.** **D8/354**
- (58) **Field of Classification Search** D8/349, D8/354, 380, 381, 382; 5/282.1, 286, 503, 5/411, 206, 193, 238, 207, 305, 309, 236, 5/237; 248/916, 300, 237, 309.1; 211/72; 29/897, 428, 525.01; 403/232.1, 169, 167; 249/14, 208, 205; 52/188, 182, 191, 702, 52/712, 745.06, 189, 506.5, 586.1
See application file for complete search history.

2,983,931 A	5/1961	Nelson	
3,075,206 A	1/1963	Kendrick, Jr.	
3,116,495 A	1/1964	Cross	
3,426,370 A	2/1969	Underdown, Sr.	
3,605,142 A *	9/1971	Weinhart	5/238
3,613,132 A	10/1971	Weinhart	
3,657,748 A	4/1972	Weinhart	
4,146,940 A	4/1979	Fredman et al.	
4,554,692 A	11/1985	Whitehead	
4,594,017 A	6/1986	Hills	
4,704,751 A	11/1987	Guerra	
4,745,644 A	5/1988	Potschmidt	
4,752,981 A	6/1988	Salens	
D327,001 S *	6/1992	Oosterhuis	D8/373

(Continued)

FOREIGN PATENT DOCUMENTS

EP 0852124 A2 7/1998

Primary Examiner — Mark Goodwin
(74) *Attorney, Agent, or Firm* — Ryan Kromholz & Manion, S.C.

(57) **CLAIM**
The ornamental design for a bed slat bracket, as shown and described.

DESCRIPTION

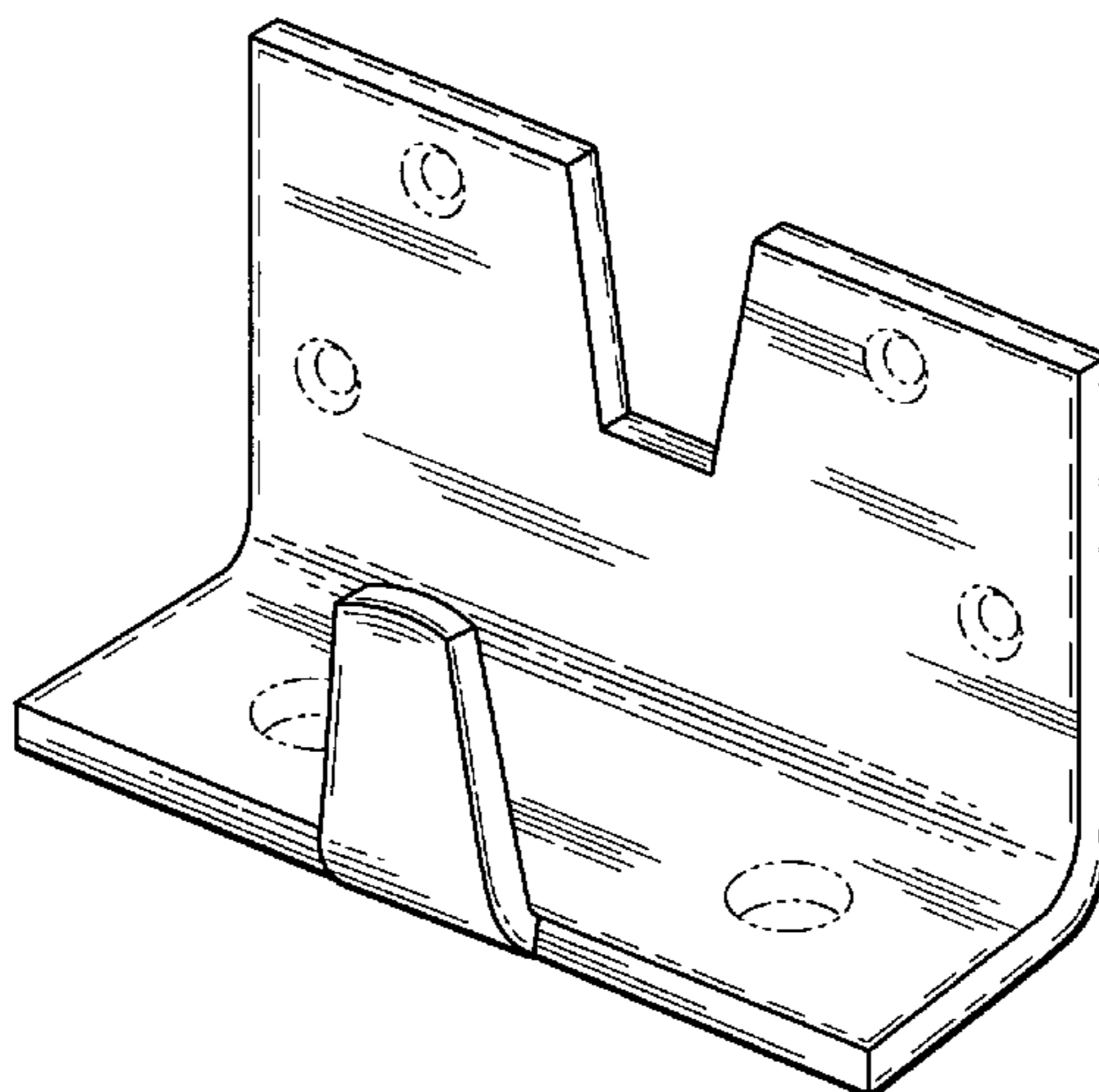
FIG. 1 is a perspective view of a bed slat bracket showing my new design.
FIG. 2 is a front elevation view thereof.
FIG. 3 is a rear elevation view thereof.
FIG. 4 is a right side elevation view thereof.
FIG. 5 is a left side elevation view thereof.
FIG. 6 is a top plan view thereof.
FIG. 7 is a bottom plan view thereof; and,
FIG. 8 is a perspective view thereof shown in use condition. The broken line showing of the holes on the bracket in FIGS. 1-8 and the bed slats in FIG. 8 is included for the purpose of illustrating environmental structure only and forms no part of the claimed design.

1 Claim, 4 Drawing Sheets

(56) **References Cited**

U.S. PATENT DOCUMENTS

471,500 A	3/1892	Gillette	
572,600 A	12/1896	Foster et al.	
625,427 A *	5/1899	Stewart et al.	403/190
D33,335 S *	10/1900	Gallaway	D6/503
746,211 A *	12/1903	Webb	5/238
791,388 A *	5/1905	Whitaker	5/239
797,011 A	8/1905	Mosier	
1,095,169 A *	4/1914	Sloan	5/206
1,156,833 A *	10/1915	Bonhard	5/288
1,833,692 A	11/1931	Silvio	
2,437,535 A *	3/1948	Jenkins	5/207
2,492,070 A	12/1949	Stone et al.	
2,553,807 A	5/1951	Brands	
2,616,099 A	11/1952	Silvio	
2,624,890 A	1/1953	Rubinstein	
2,904,797 A	9/1959	Beauvais	



US D649,016 S

Page 2

U.S. PATENT DOCUMENTS

5,170,976	A *	12/1992	Lundman	248/300	6,877,174	B2	4/2005	Lobry	
D407,010	S *	3/1999	Sobczynski	D8/354	7,047,579	B2 *	5/2006	Piana et al.	5/411
5,924,655	A *	7/1999	Rinderer	248/55	7,069,606	B2	7/2006	Verschuere et al.	
D422,885	S *	4/2000	Marino et al.	D8/354	7,073,218	B2	7/2006	Polevoy et al.	
6,115,858	A	9/2000	Mitchell		7,219,378	B2 *	5/2007	Polevoy et al.	5/200.1
6,119,289	A	9/2000	Chapin		7,437,783	B2	10/2008	Navarro et al.	
6,134,728	A	10/2000	Hernandez		7,621,004	B2	11/2009	Lobry et al.	
6,219,863	B1	4/2001	Loberg et al.		2004/0093670	A1 *	5/2004	Polevoy et al.	5/200.1
6,237,170	B1	5/2001	Salens		2005/0278849	A1 *	12/2005	Polevoy et al.	5/310
6,381,777	B1	5/2002	Mitchell		2006/0213008	A1 *	9/2006	Polevoy et al.	5/310
6,684,421	B2	2/2004	De Gelis						

* cited by examiner

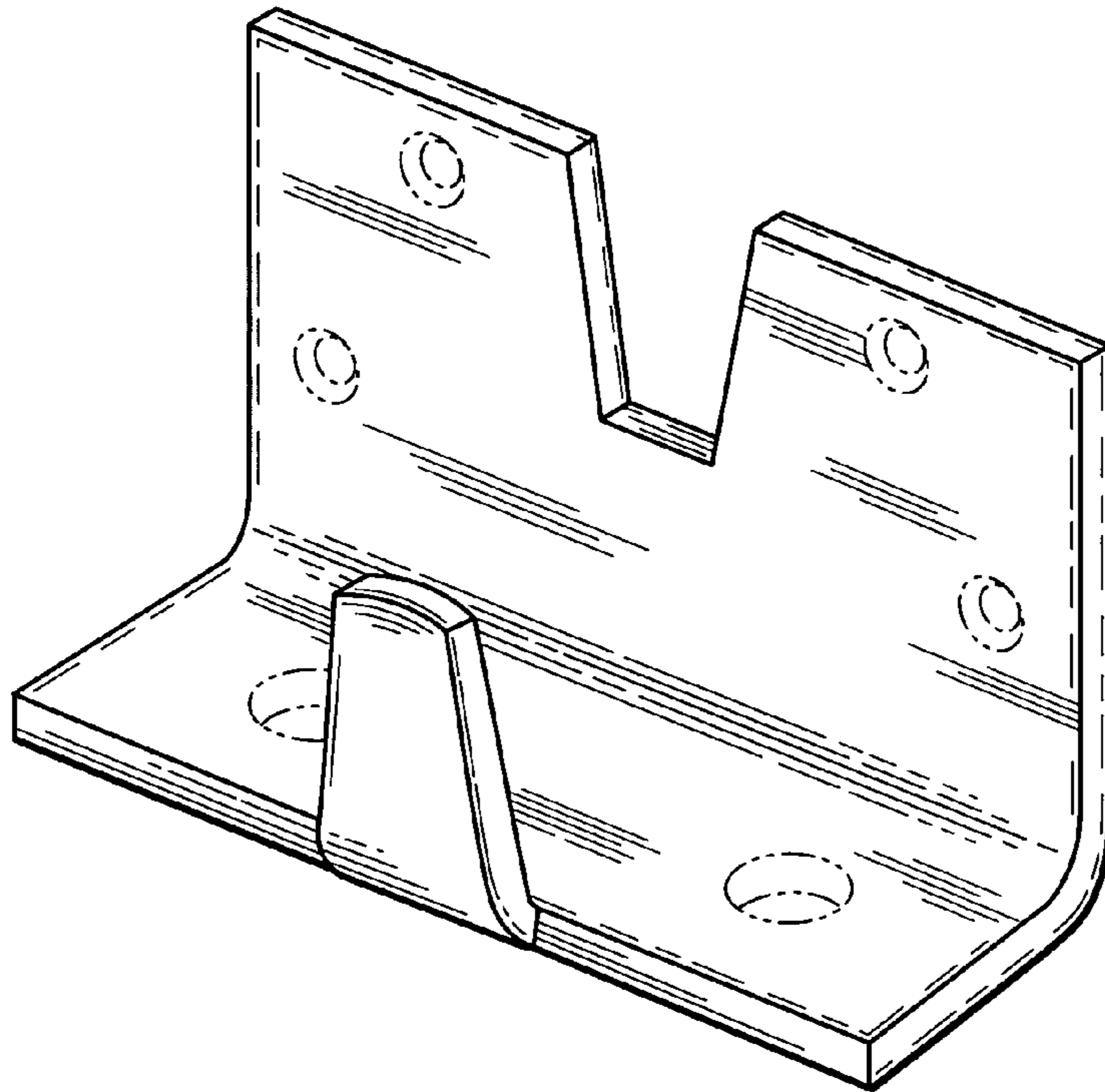


Fig. 1

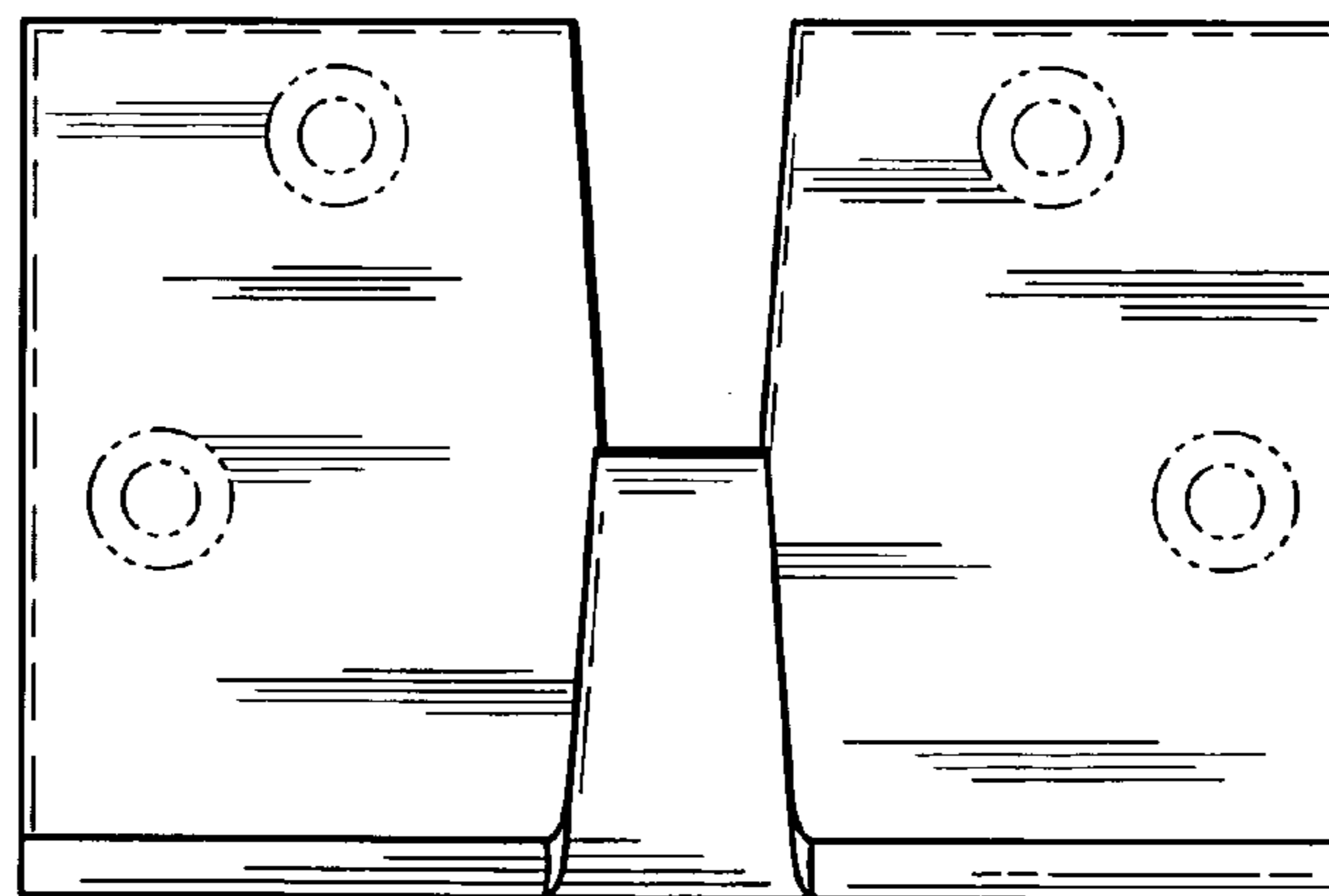


Fig. 2

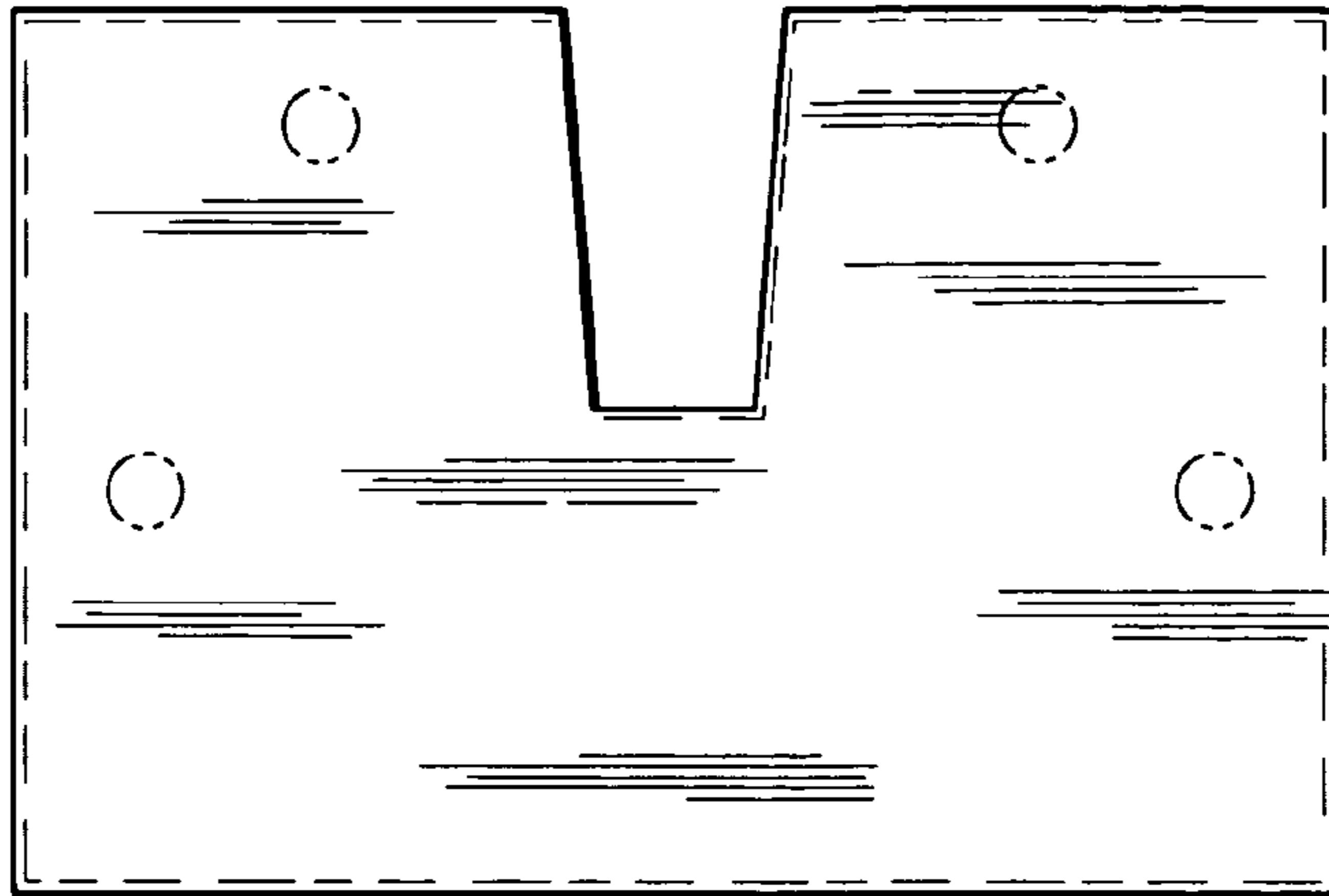


Fig. 3

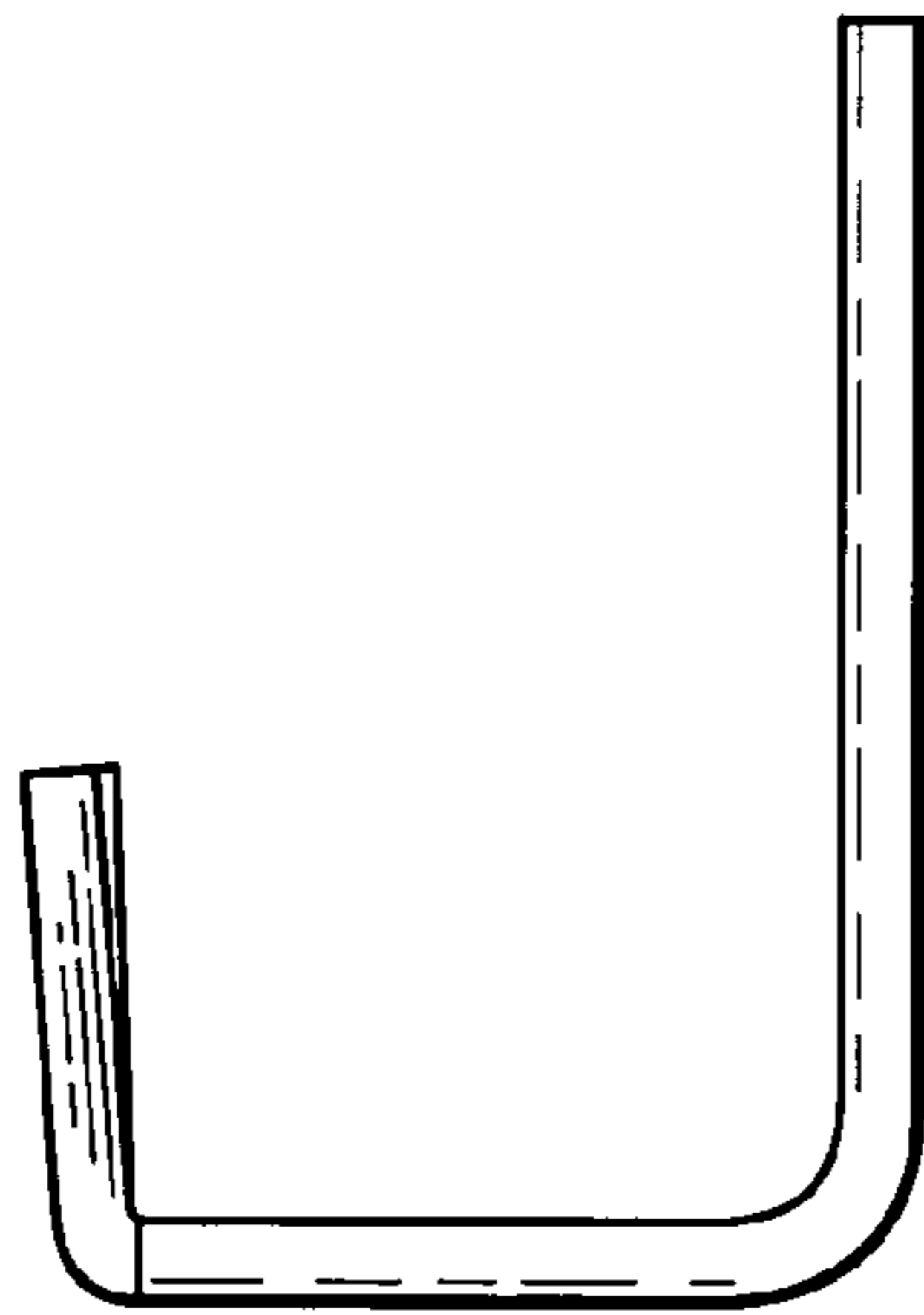


Fig. 4



Fig. 5

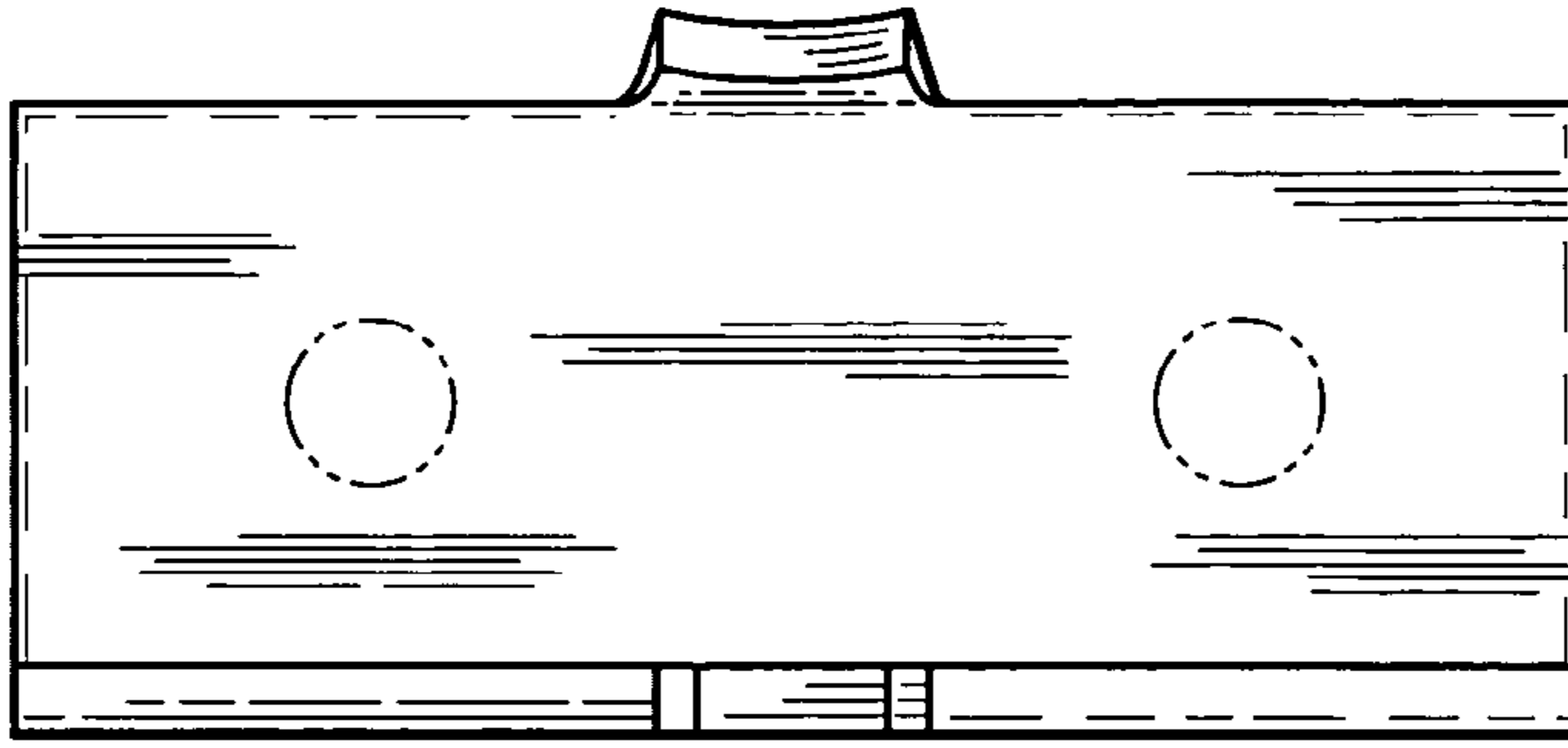


Fig. 6

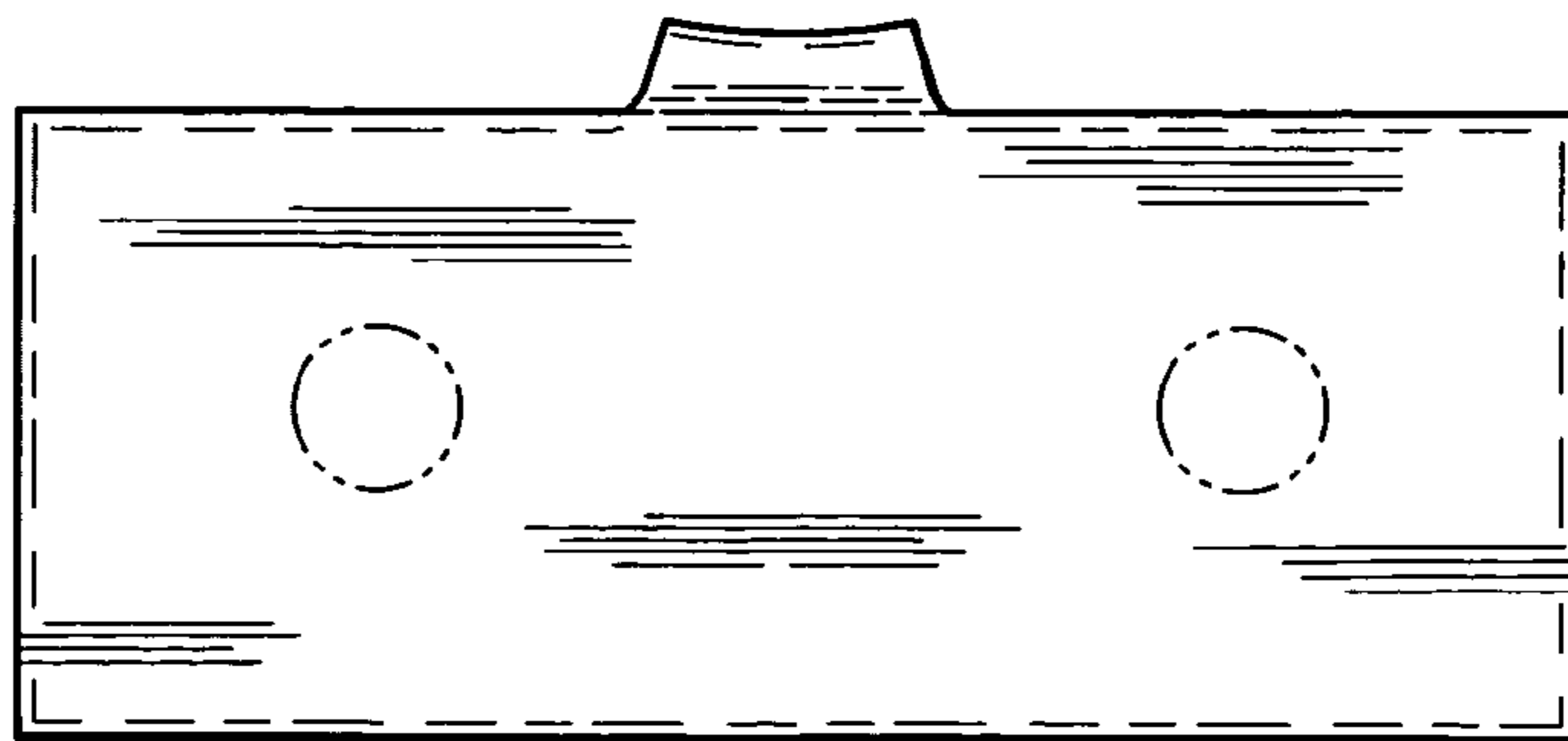


Fig. 7

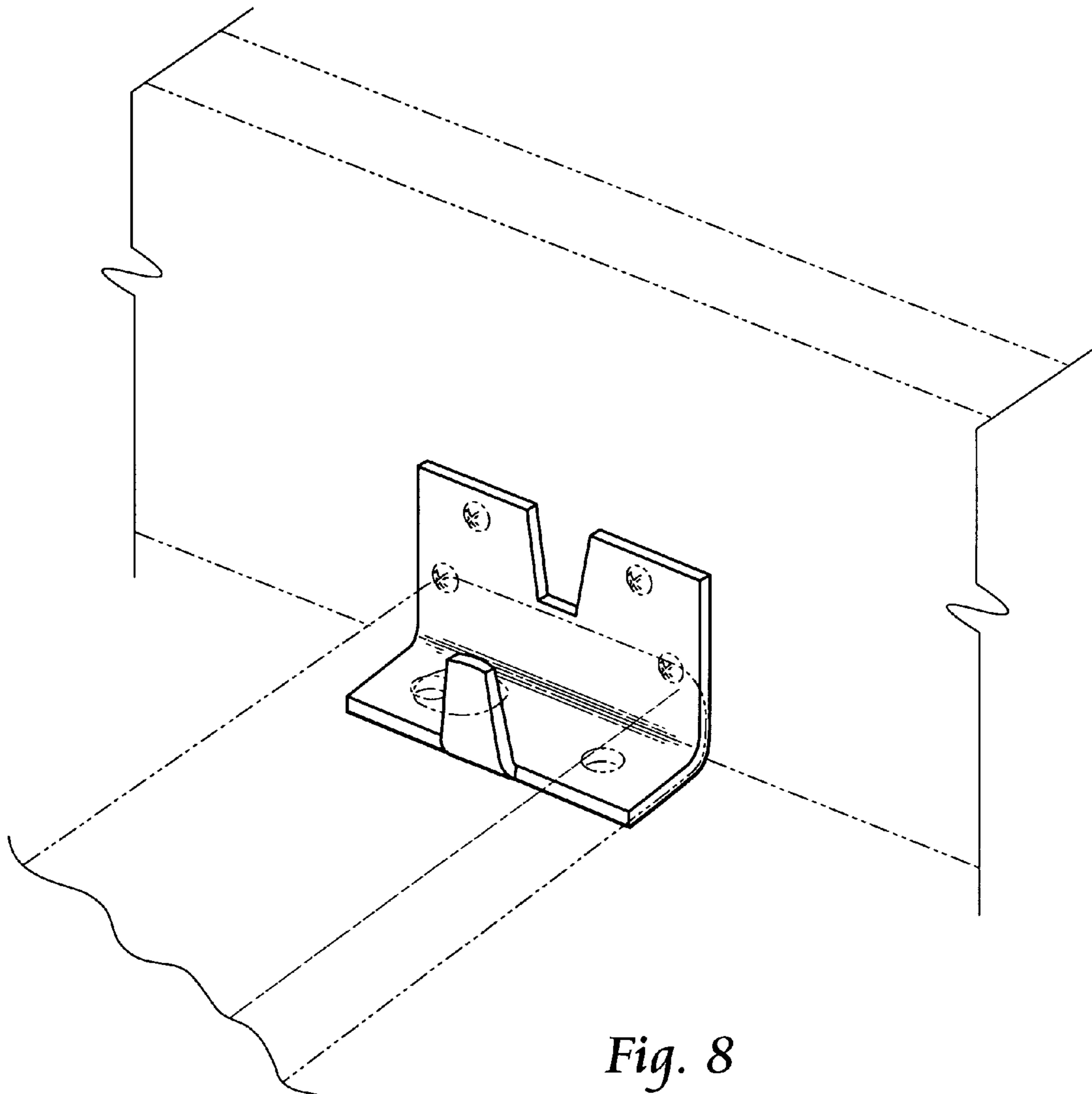


Fig. 8