



US00D649015S

(12) **United States Design Patent**
Honda

(10) **Patent No.:** **US D649,015 S**

(45) **Date of Patent:** **** Nov. 22, 2011**

(54) **METAL FITTING FOR BUILDING BOARDS**

JP D1274767 S 6/2006

* cited by examiner

(75) Inventor: **Takashi Honda**, Anjo (JP)

(73) Assignee: **Nichiha Corporation**, Nagoya (JP)

Primary Examiner — Holly Baynham

(74) *Attorney, Agent, or Firm* — Birch, Stewart, Kolasch & Birch, LLP

(**) Term: **14 Years**

(21) Appl. No.: **29/381,207**

(22) Filed: **Dec. 16, 2010**

(51) **LOC (9) Cl.** **08-05**

(52) **U.S. Cl.** **D8/349**

(58) **Field of Classification Search** D8/349,
D8/354, 382; 248/300, 316.1; 403/381,
403/14; 52/238.1, 243.1, 394-395, 578-579,
52/584.1, 589.1

See application file for complete search history.

(56) **References Cited**

U.S. PATENT DOCUMENTS

5,967,480	A *	10/1999	Kirschner	248/300
D458,111	S *	6/2002	Petri	D8/349
6,830,405	B2 *	12/2004	Watanabe	403/14
D591,585	S	5/2009	Hikai		

FOREIGN PATENT DOCUMENTS

JP	D1063210	11/1999
JP	D1063211	11/1999

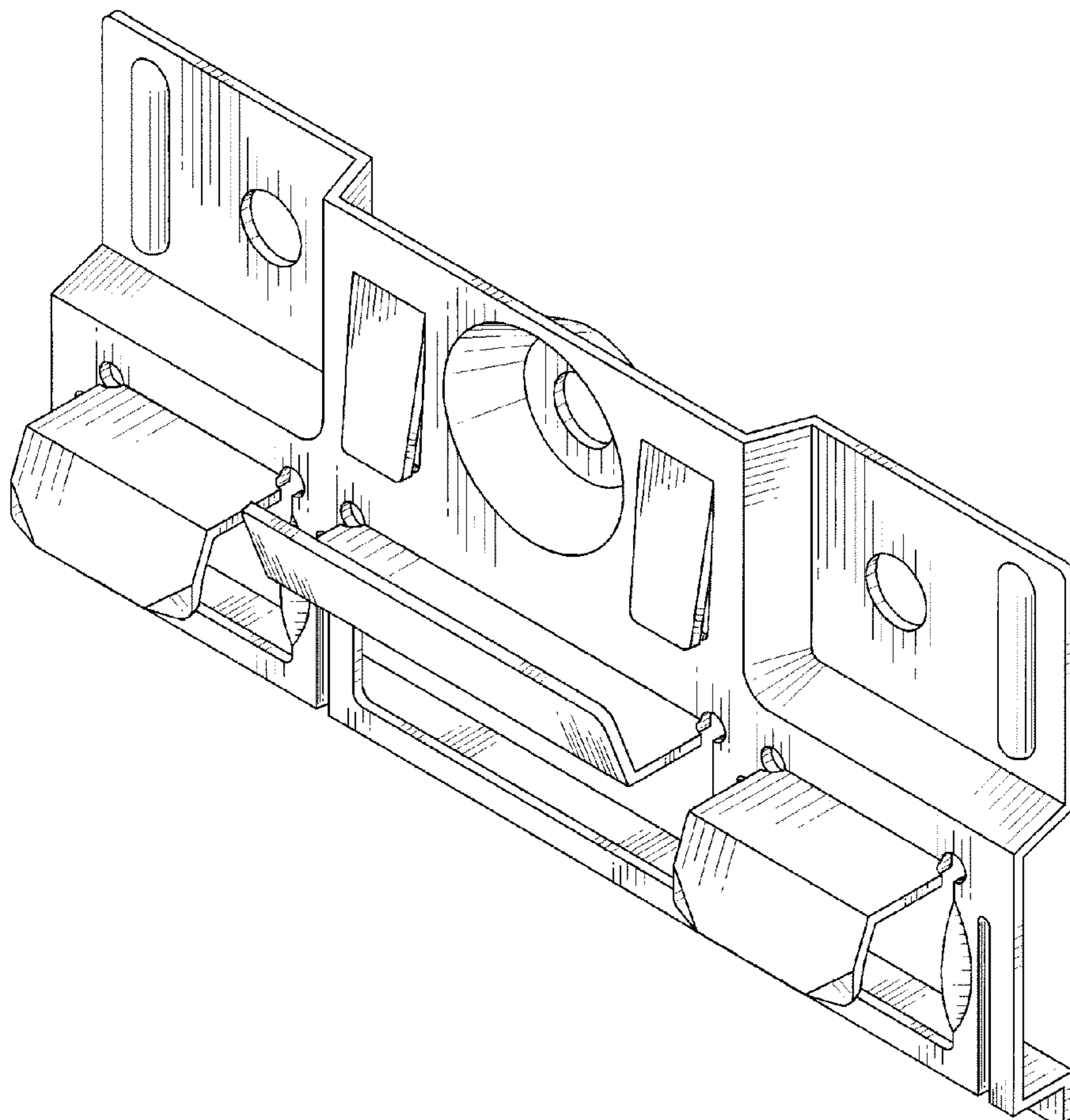
(57) **CLAIM**

The ornamental design for a metal fitting for building boards, as shown and described.

DESCRIPTION

FIG. 1 is a front view of a metal fitting for building boards showing my new design;
 FIG. 2 is a back view thereof;
 FIG. 3 is a top view thereof;
 FIG. 4 is a bottom view thereof;
 FIG. 5 is a right side view thereof;
 FIG. 6 is a left side view thereto;
 FIG. 7 is a front, right perspective view thereof; and,
 FIG. 8 is a reference view showing an example of the a metal fitting for building boards that is in use on a wall.
 The broken lines showing partial building structure are for the purposes of illustrating environment and form no part of the claimed design.

1 Claim, 8 Drawing Sheets



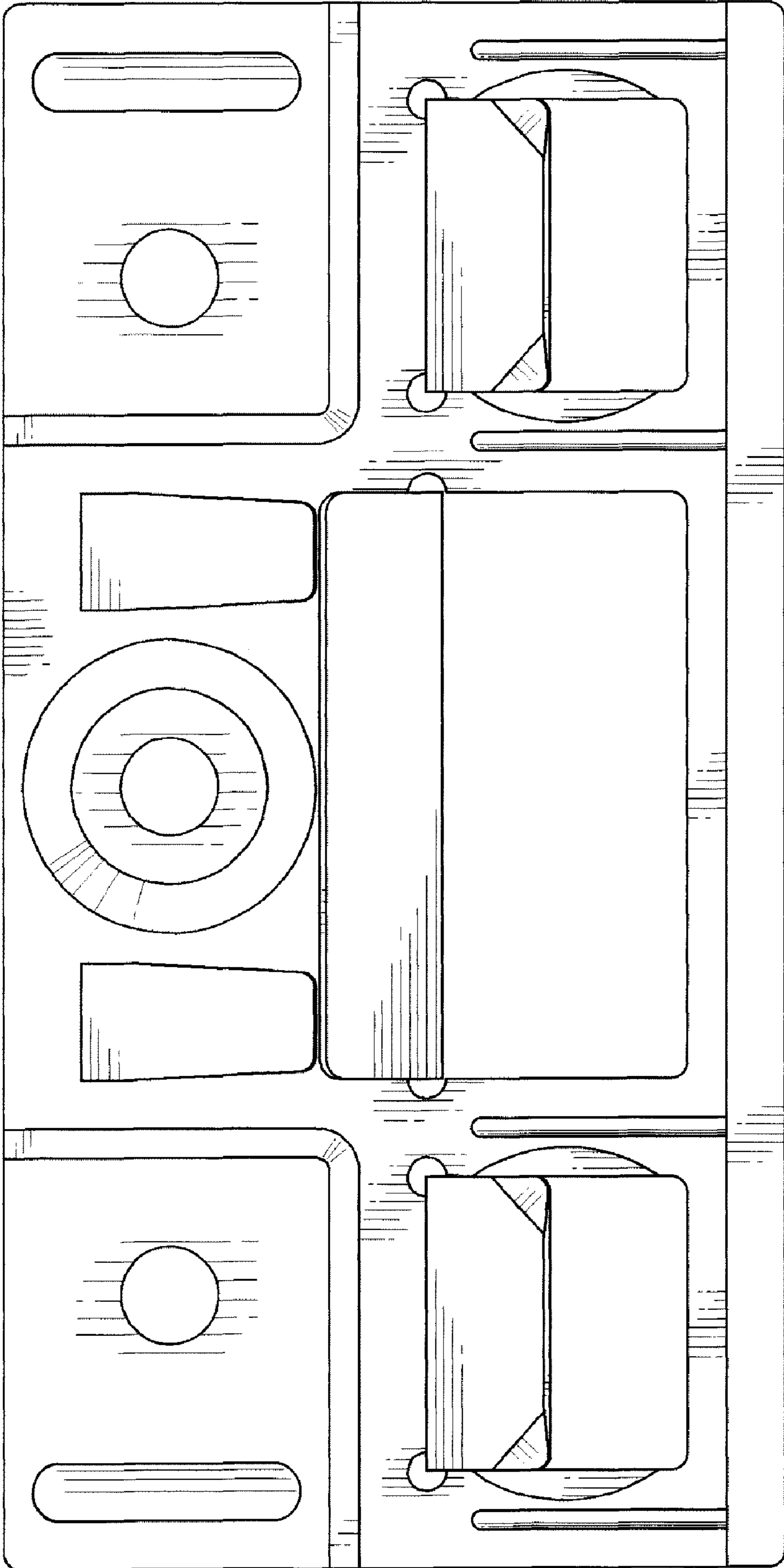


Fig. 1

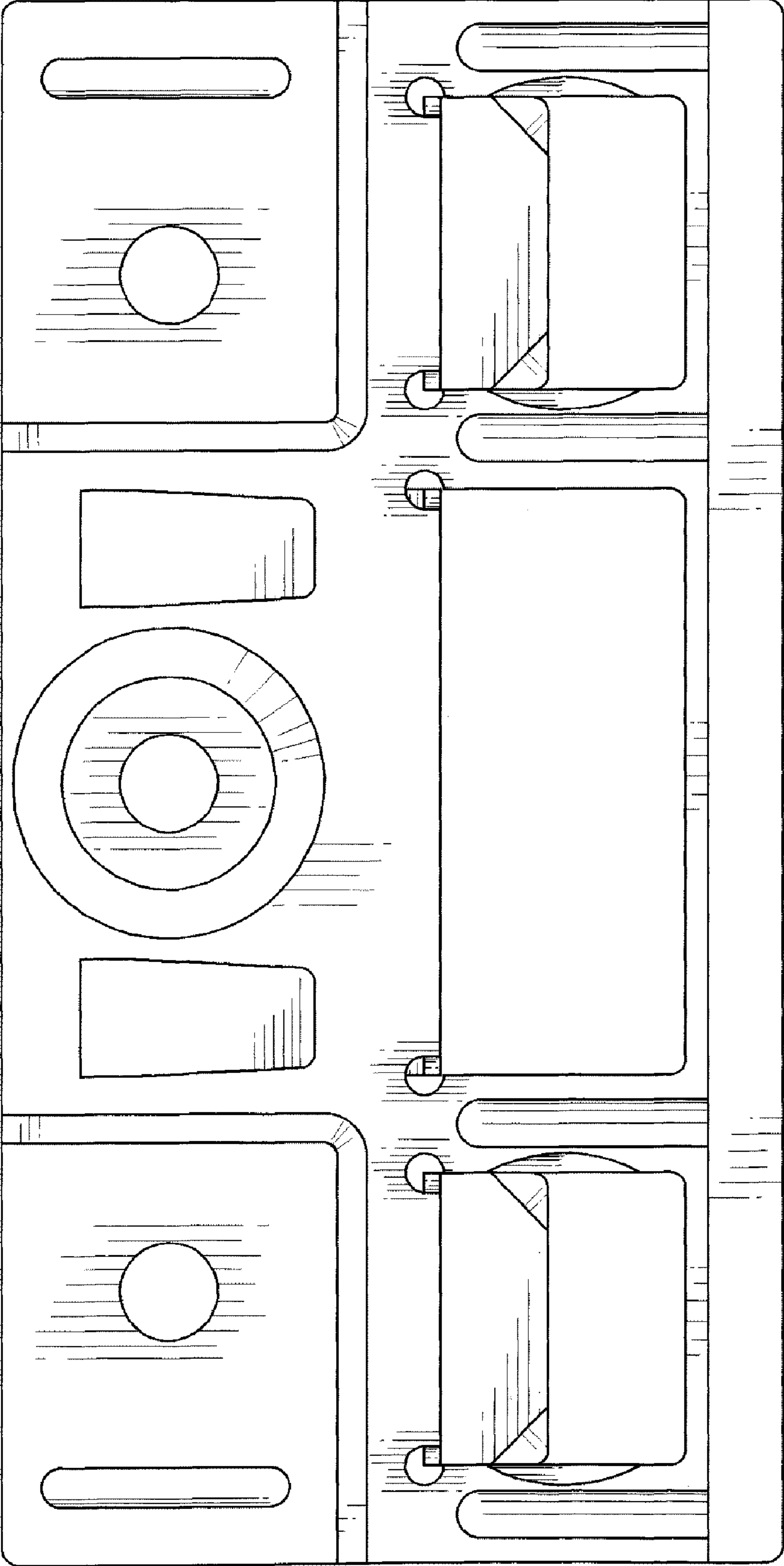


Fig.2

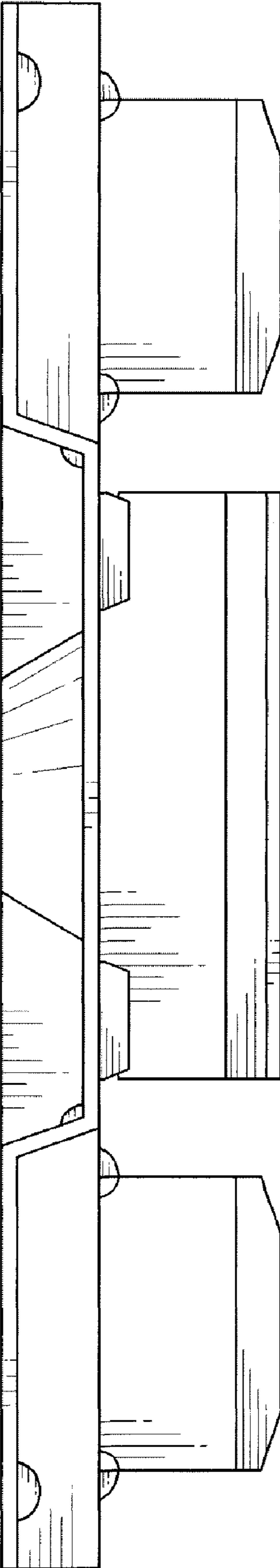


Fig.3

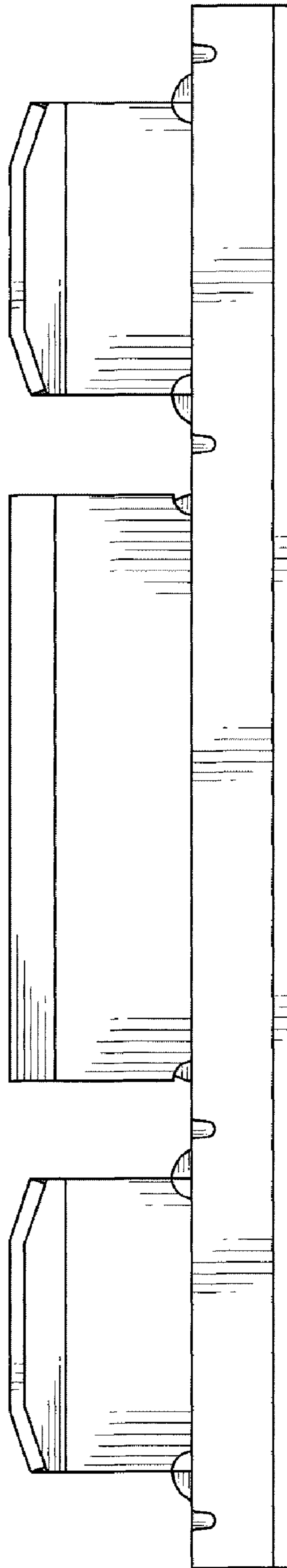


Fig. 4

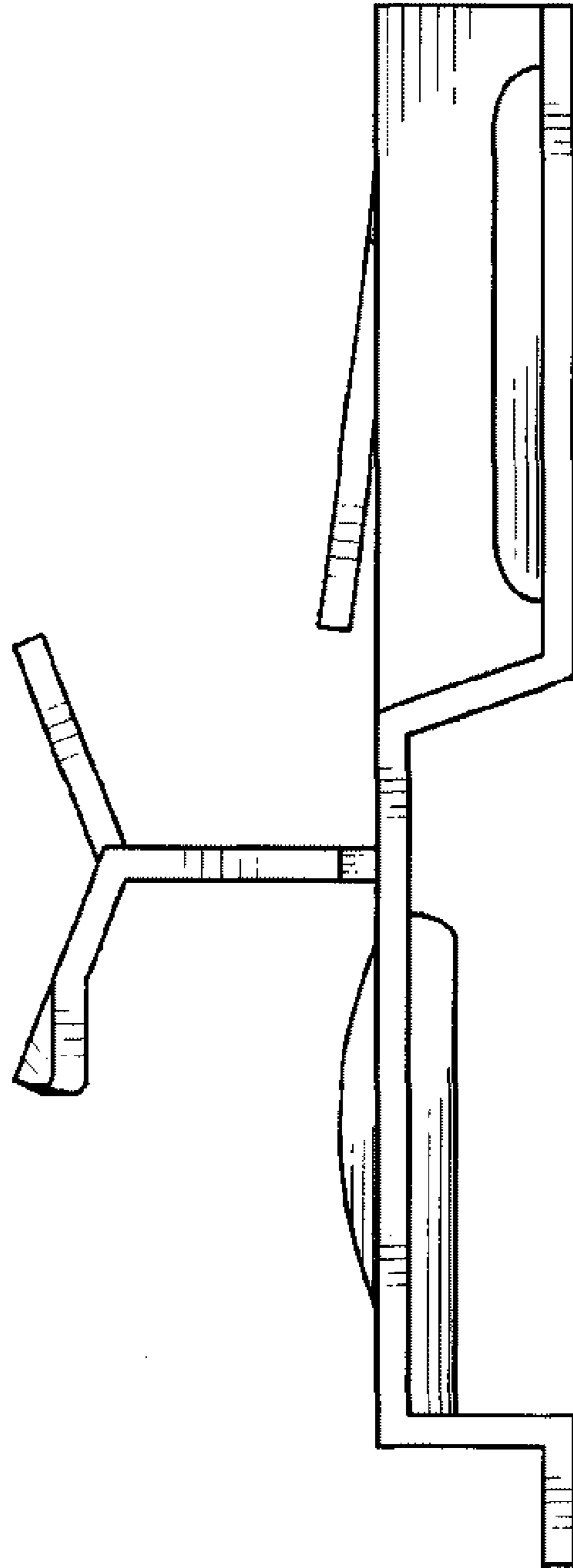


Fig. 5

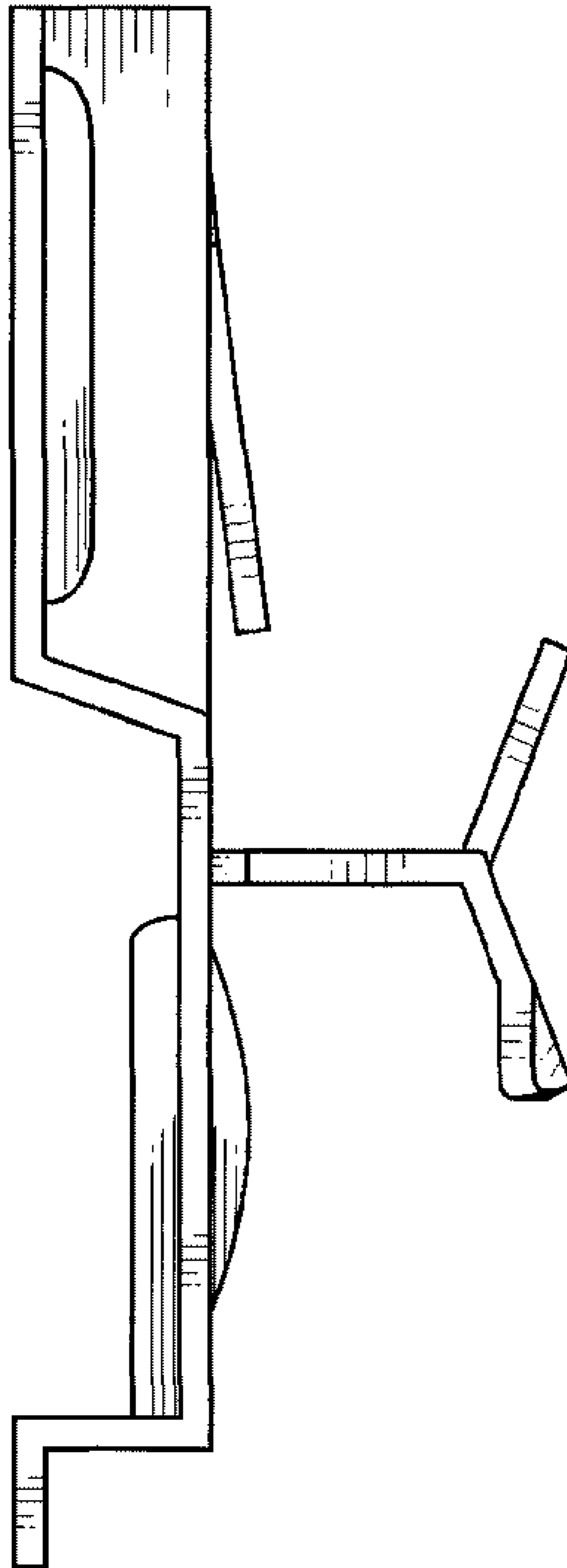


Fig.6

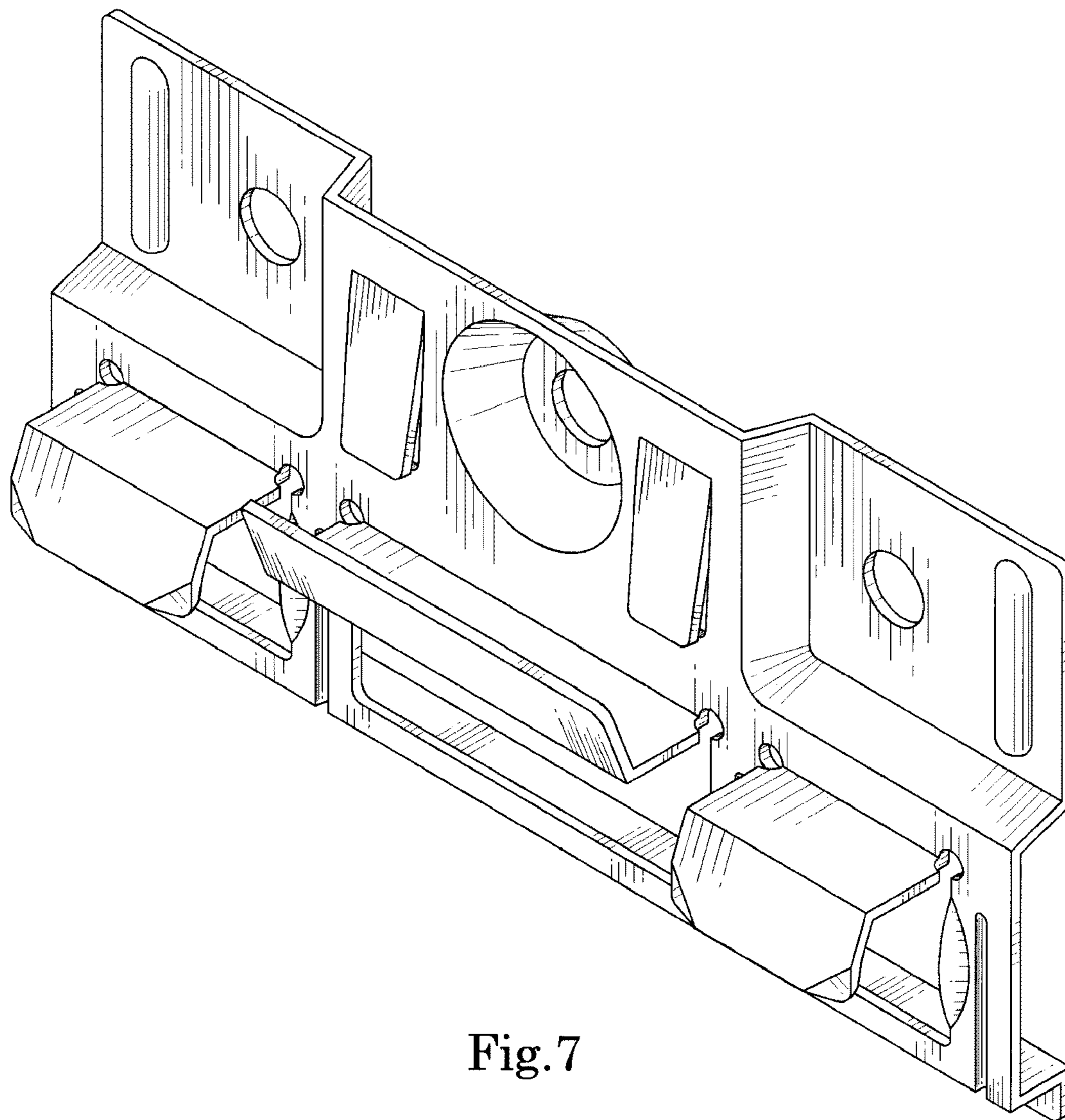


Fig. 7

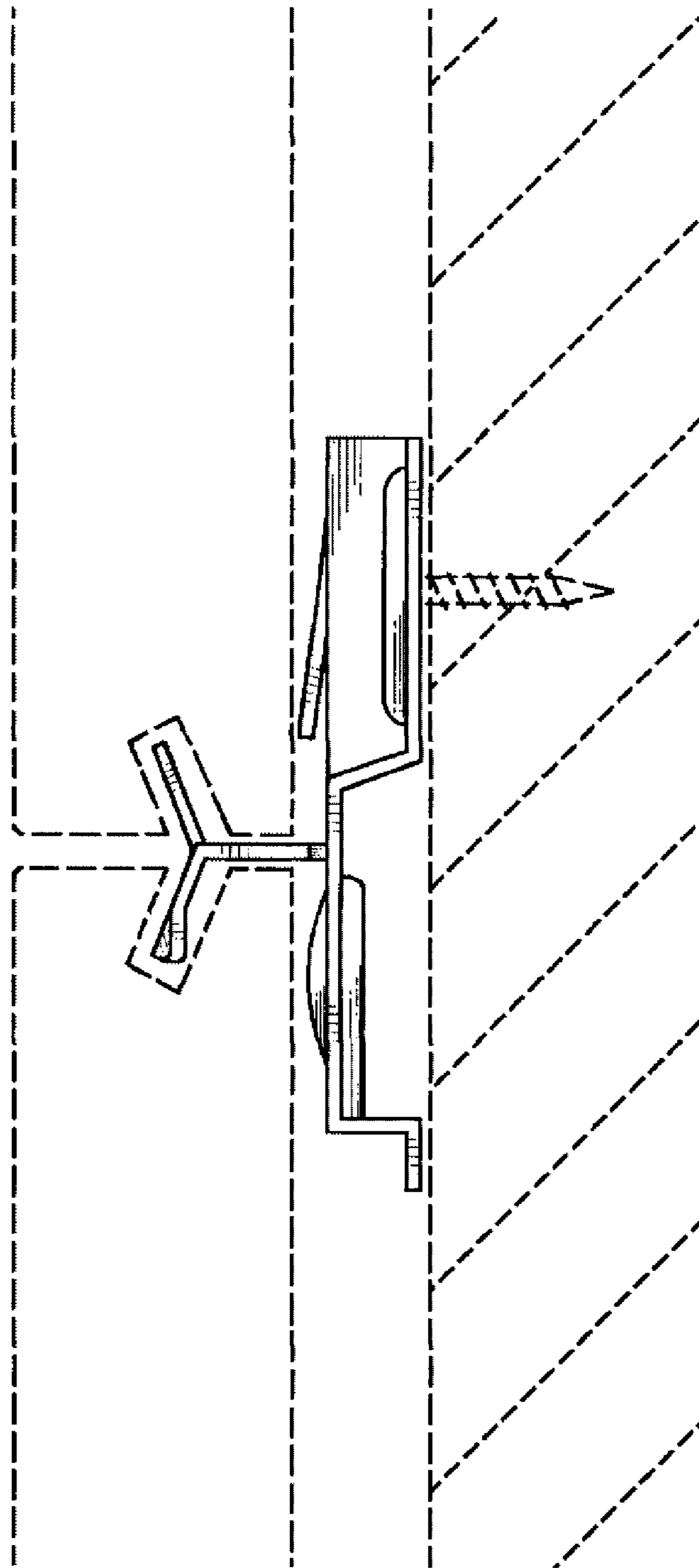


Fig. 8