



US00D649011S

(12) **United States Design Patent**
Gordon

(10) **Patent No.:** **US D649,011 S**

(45) **Date of Patent:** **** Nov. 22, 2011**

(54) **SWING DOOR CLOSER**

(75) Inventor: **Graham Gordon**, Brampton (CA)

(73) Assignee: **Tote'l Industries Corp.**, Brampton,
Ontario (CA)

(**) Term: **14 Years**

(21) Appl. No.: **29/390,053**

(22) Filed: **Apr. 19, 2011**

Related U.S. Application Data

(62) Division of application No. 29/377,649, filed on Oct. 25, 2010, now Pat. No. Des. 639,138.

(51) **LOC (9) Cl.** **08-07**

(52) **U.S. Cl.** **D8/330; D8/336; D8/339**

(58) **Field of Classification Search** D8/30,
D8/331, 336-339, 343, 341, 349, 382, 400;
70/14, 38 R, 51, 52, 57, 57.1, 101, 106; 292/32,
292/33, 4, 45, 56, 57, 71, 74, 78, 63, 137,
292/194

See application file for complete search history.

(56) **References Cited**

U.S. PATENT DOCUMENTS

1,682,772	A	9/1928	Cahill	
D217,114	S	4/1970	Bremicker	
D258,489	S	3/1981	Gipson	
D258,715	S	3/1981	Gipson	
4,287,639	A *	9/1981	Denton	16/48.5
4,487,439	A *	12/1984	McFadden	292/251.5

5,502,874	A *	4/1996	Lucas	16/62
6,125,583	A *	10/2000	Murray et al.	49/291
6,131,969	A	10/2000	Natkins	
6,135,515	A *	10/2000	Roth et al.	292/251.5
6,199,322	B1 *	3/2001	Itami et al.	49/139
6,722,715	B1	4/2004	Chiang	
D489,595	S	5/2004	Gleichauf et al.	
D531,637	S	11/2006	Chotai et al.	
D565,932	S	4/2008	Koros et al.	
D571,637	S *	6/2008	Littrell et al.	D8/339
7,690,486	B2	4/2010	Rhodes et al.	
D623,925	S	9/2010	Wu	

* cited by examiner

Primary Examiner — Prabhakar Deshmukh

(74) *Attorney, Agent, or Firm* — Sand & Sebolt

(57) **CLAIM**

The ornamental design for a swing door closer, as shown and described.

DESCRIPTION

FIG. 1 is a front perspective view of a swing door closer showing my new design;

FIG. 2 is a rear perspective view thereof;

FIG. 3 is a top view thereof;

FIG. 4 is a bottom view thereof;

FIG. 5 is a left side view thereof;

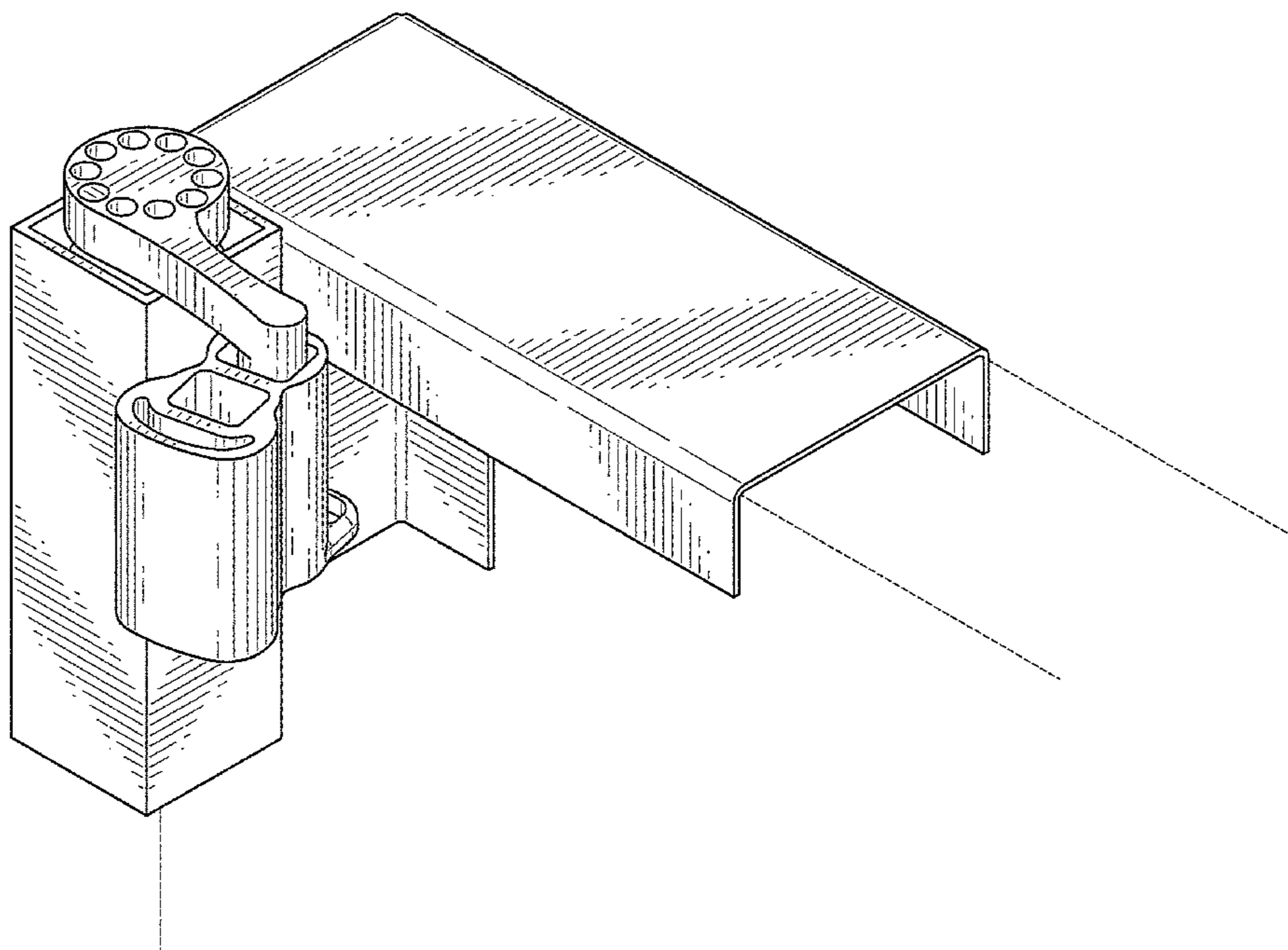
FIG. 6 is a right side view thereof;

FIG. 7 is a front view thereof; and,

FIG. 8 is a rear view thereof.

The broken lines showing portions of a door is for illustrative purpose only and forms no part of the claimed design.

1 Claim, 5 Drawing Sheets



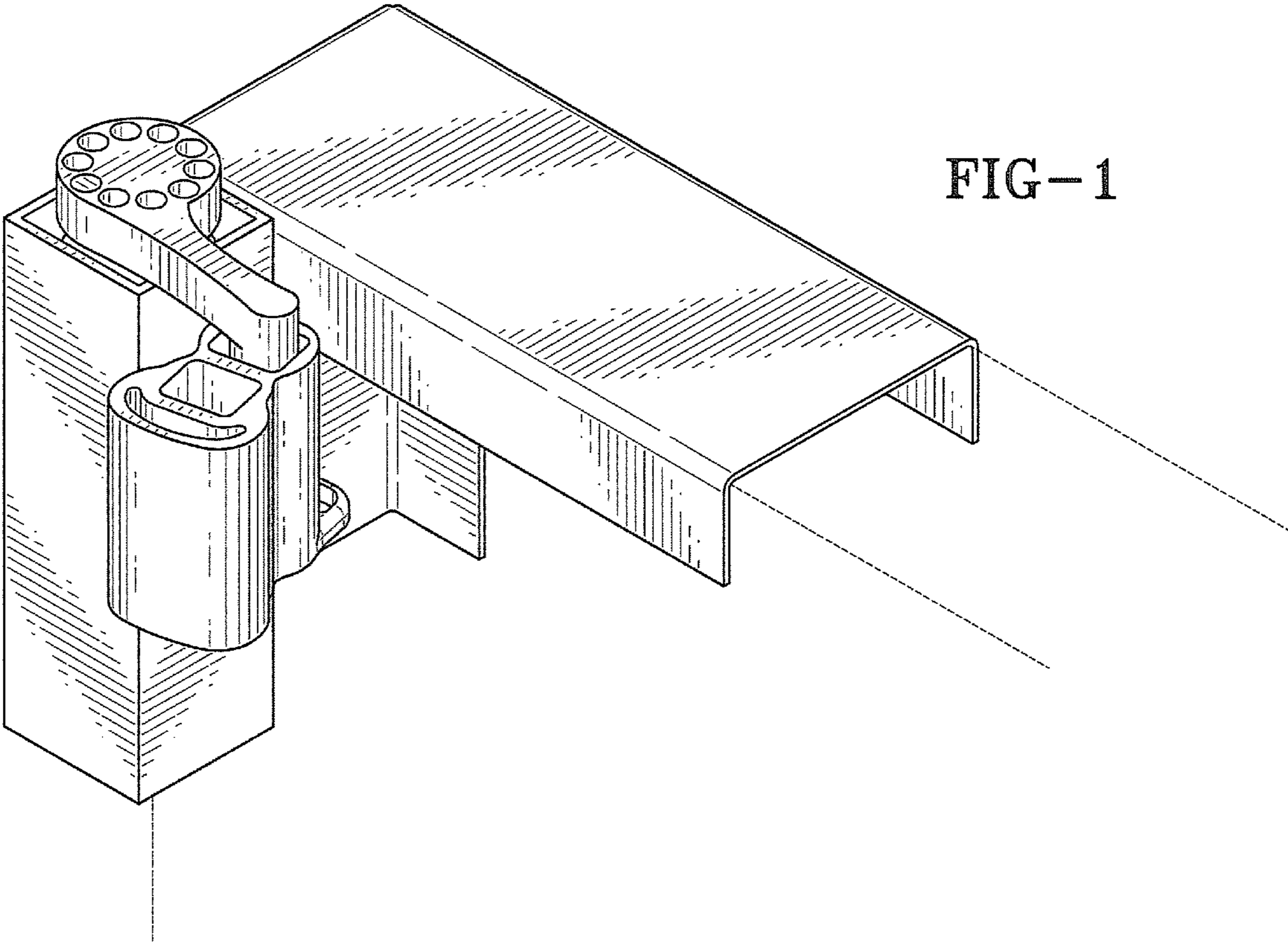


FIG-1

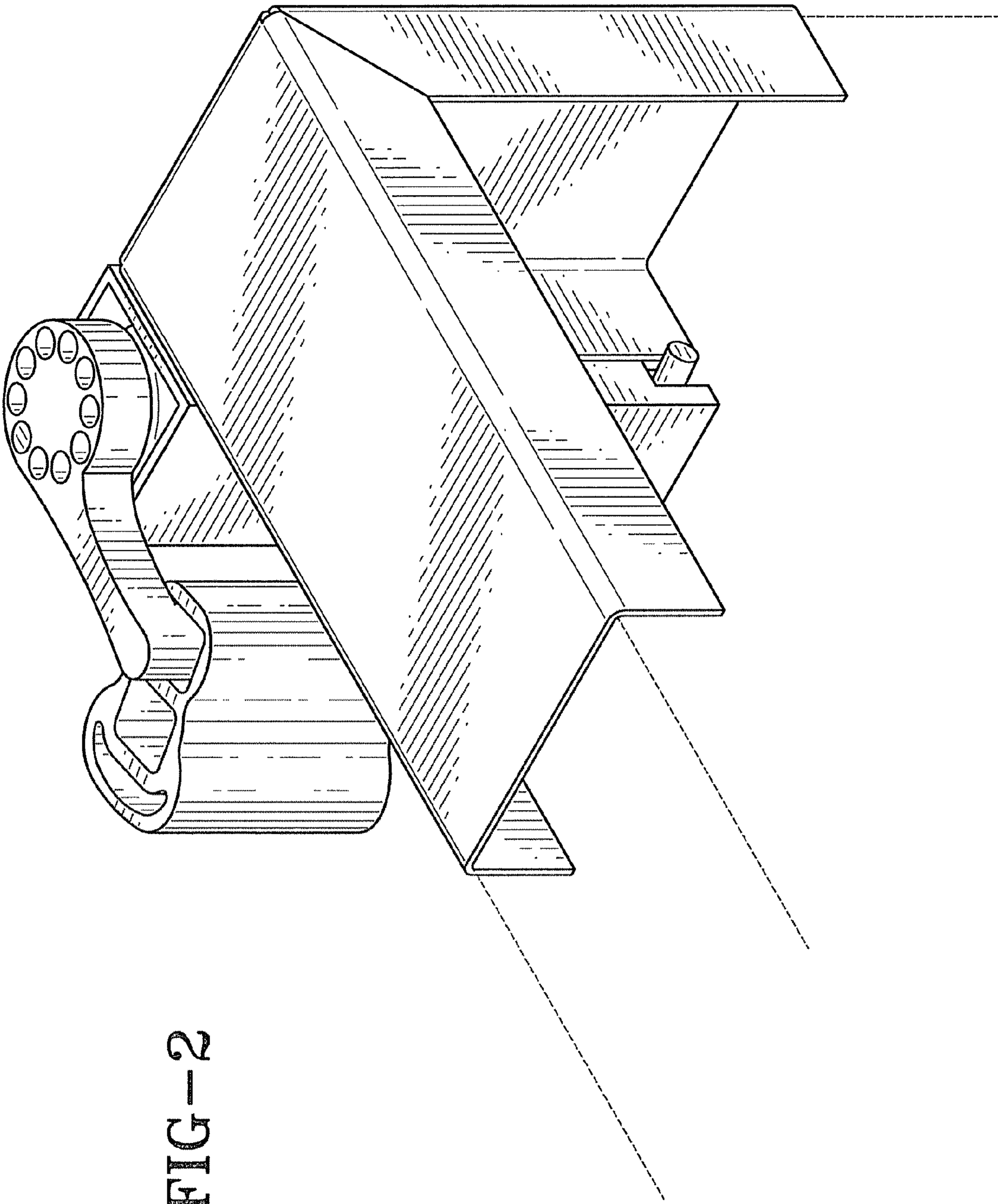


FIG-2

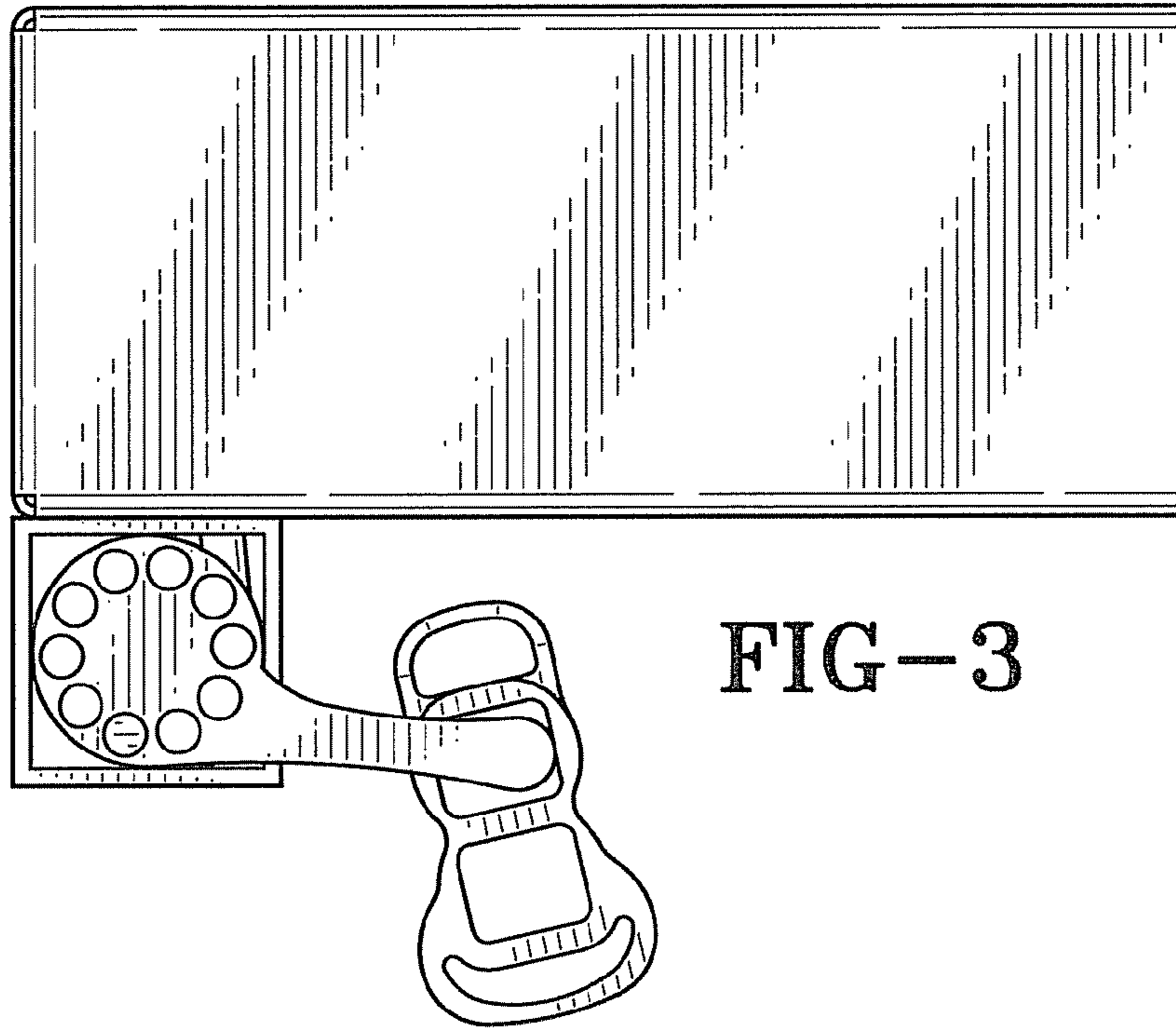


FIG-3

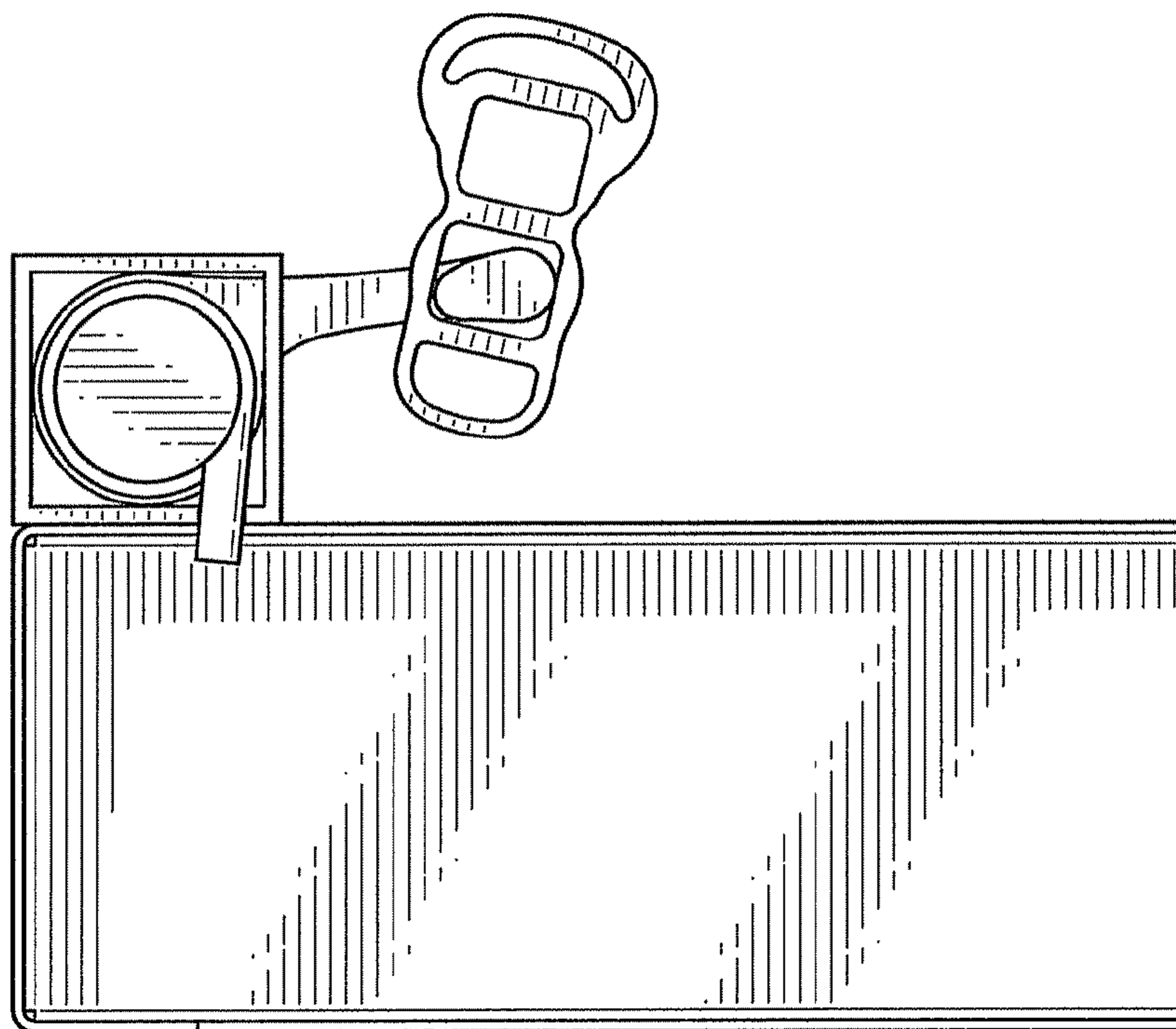


FIG-4

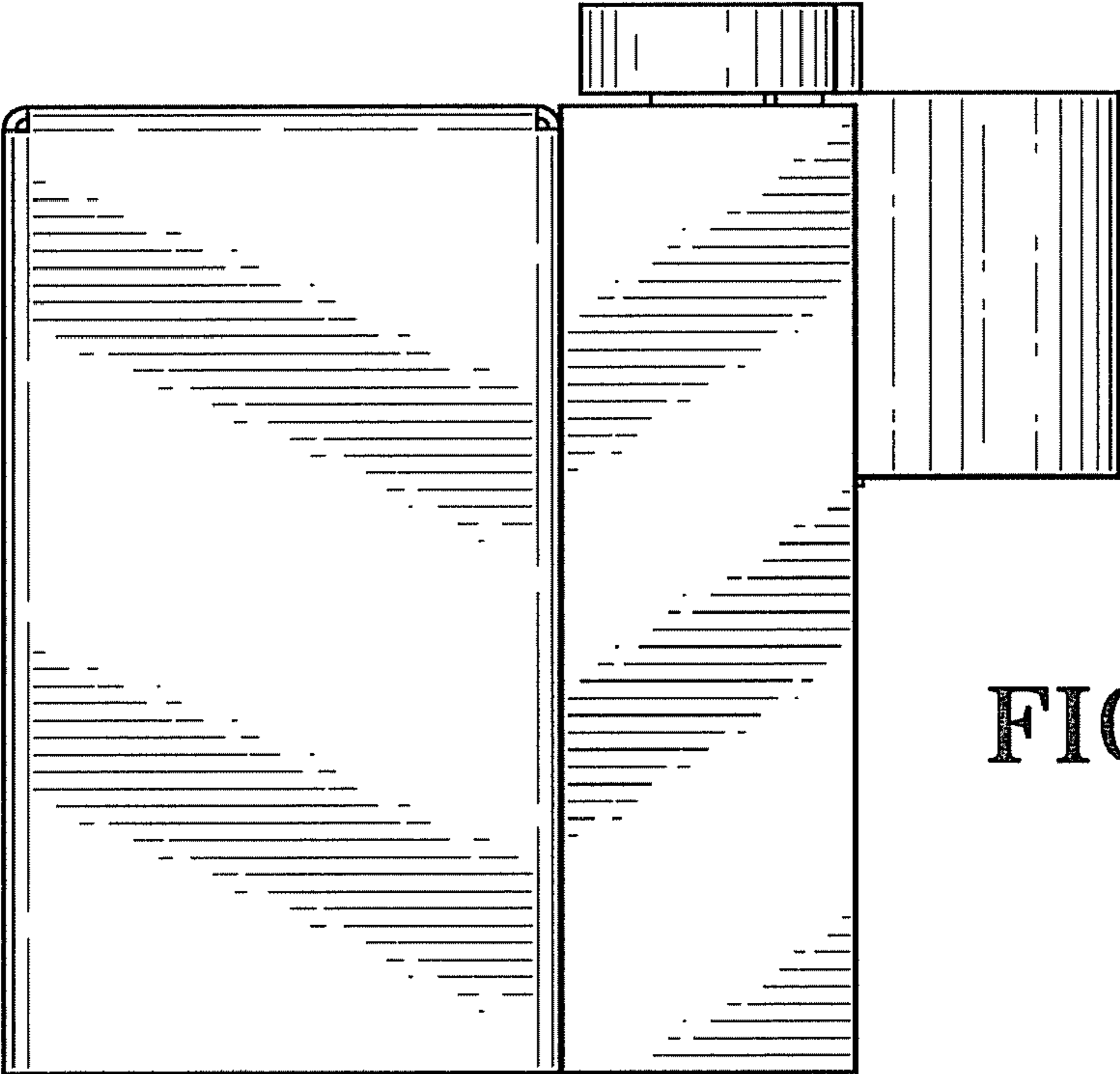


FIG-5

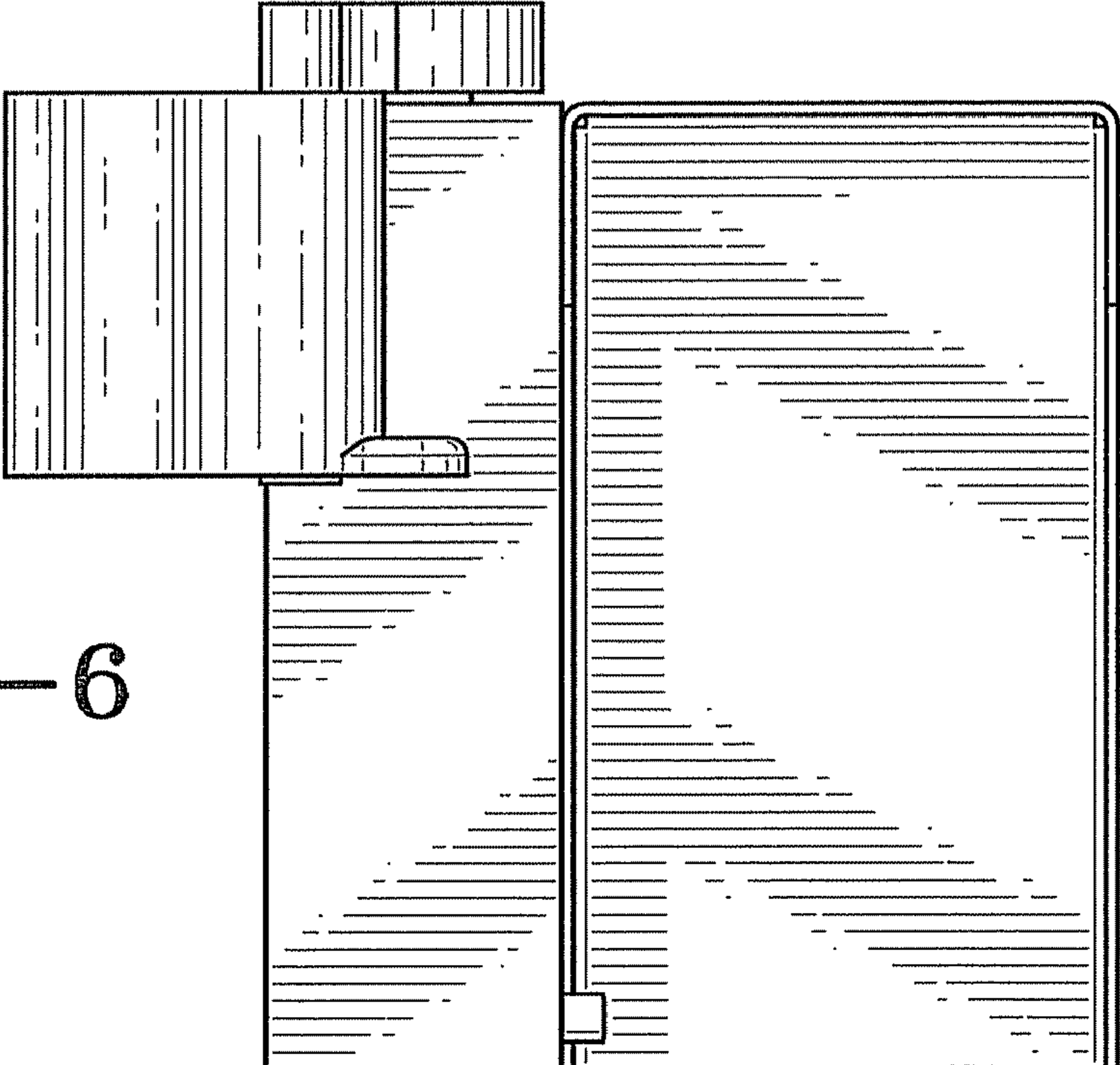


FIG-6

