



US00D649010S

(12) **United States Design Patent**
Spragg

(10) **Patent No.:** **US D649,010 S**

(45) **Date of Patent:** **** Nov. 22, 2011**

(54) **DOOR HINGE PIN**

(76) **Inventor:** **Kenneth L. Spragg**, Woodstock (CA)

(**) **Term:** **14 Years**

(21) **Appl. No.:** **29/390,516**

(22) **Filed:** **Apr. 26, 2011**

(51) **LOC (9) Cl.** **08-06**

(52) **U.S. Cl.** **D8/323**

(58) **Field of Classification Search** D8/323,
D8/325, 356, 105, 107, 333, 349, 357, 373,
D8/383, 397, 399, 394, 382, 8; D11/215,
D11/200; D16/334; D14/250, 217; D15/138;
D23/262, 259; D21/488; D13/133; 24/598.1,
24/599.1, 598.2, 599.9, 573.11, 579.09, 592.11,
24/600.1; 294/19.1, 64.1, 82.1, 137, 600.1;
182/5; 411/432, 108, 353, 404, 410, 919,
411/147, 957; 137/383

See application file for complete search history.

(56) **References Cited**

U.S. PATENT DOCUMENTS

D002,283	S	3/1866	Richardson	
D2,283	S *	3/1866	Richardson	D8/323
1,168,568	A	1/1916	Rudolff	
1,433,095	A	10/1922	Peary	
1,898,936	A	2/1933	Brawley	
1,970,059	A *	8/1934	Schotter	285/332
2,053,864	A	9/1936	Cook et al.	
2,837,760	A	6/1958	Ware	
3,407,903	A	10/1968	Sansabrino	
3,899,905	A *	8/1975	Walters	70/91
4,679,285	A	7/1987	Ballantyne	
D311,677	S *	10/1990	Headrick	D8/323
D328,280	S *	7/1992	Lee	D13/133
5,284,369	A *	2/1994	Kitamura	285/322
D380,037	S *	6/1997	Grantham	D23/262
5,771,538	A	6/1998	Huppert, Sr.	
D396,730	S *	8/1998	Schaupp	D23/259

6,490,759	B1	12/2002	Brueckner et al.	
D476,873	S *	7/2003	Carroll	D8/70
6,735,821	B1	5/2004	Christman	
D512,897	S *	12/2005	Franchini	D8/323
D524,149	S *	7/2006	Kim	D8/397
7,340,800	B2	3/2008	Gulley	
D585,916	S *	2/2009	Greenleaf	D15/128
D601,567	S *	10/2009	Lau	D14/432
D620,084	S *	7/2010	Talamantez	D23/262
D629,025	S *	12/2010	Greenleaf	D15/128

(Continued)

FOREIGN PATENT DOCUMENTS

CA 2527386 A1 12/2004

OTHER PUBLICATIONS

1999 Installation [online]. Accessed on Nov. 5, 2009. Retrieved from the Internet: <URL <http://www.andyz28.com/truck/99truck/installation.htm>>.

(Continued)

Primary Examiner — Cynthia Underwood

(74) *Attorney, Agent, or Firm* — Bereskin & Parr LLP/S.E.N.C.R.L., s.r.l.

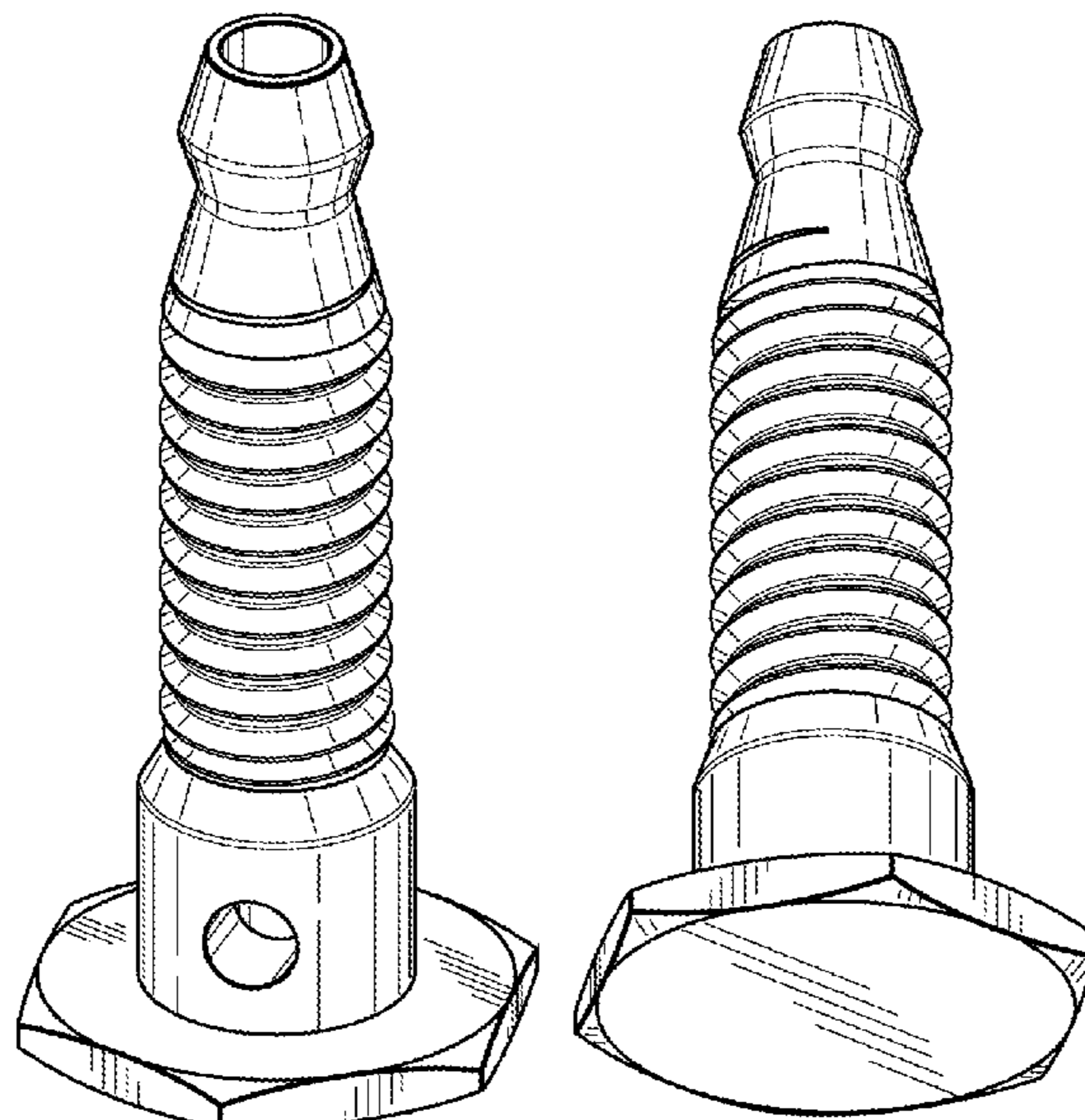
(57) **CLAIM**

The ornamental design for a door hinge pin, as shown.

DESCRIPTION

FIG. 1 is a front perspective view of the subject design, taken from above;
FIG. 2 is a rear perspective view thereof, taken from below;
FIG. 3 is a left side view thereof;
FIG. 4 is a front elevational view thereof;
FIG. 5 is a right side view thereof;
FIG. 6 is a rear elevational view thereof;
FIG. 7 is a top plan view thereof; and,
FIG. 8 is a bottom plan view thereof.

1 Claim, 2 Drawing Sheets



US D649,010 S

Page 2

U.S. PATENT DOCUMENTS

D633,774 S * 3/2011 Spragg D8/323
7,934,927 B2 * 5/2011 Yazdi 433/18
2005/0072728 A1 * 4/2005 Chang 210/446

OTHER PUBLICATIONS

1999-2006 General Motors Pickup & Suv's Door Pin & Bushing Kit.
Fireforce Manufacturing. Published in 2006.
Dorman Products-38447 [online]. Accessed on Jul. 20, 2011.

Retrieved from the Internet: <URL <http://dormanproducts.com/p-15609-38447.aspx>>.

Dorman Products-38446[online]. Accessed on Jul. 20, 2011.
Retrieved from the Internet: <URL <http://dormanproducts.com/p-15608-38446.aspx?pymnneid=7340010>>.

Ken-Co Industries-Automotive Parts & Hardware [online]. Accessed on Jul. 20, 2011. Retrieved from the Internet: <URL <http://ken-co.com/hingepin/Gvandoorpin.asp>>.

Photographs of OEM Pins from 2007 Chevrolet Pickup Truck and 2007 GM Pickup Truck. Pins in use since at least as early as 2007.

* cited by examiner

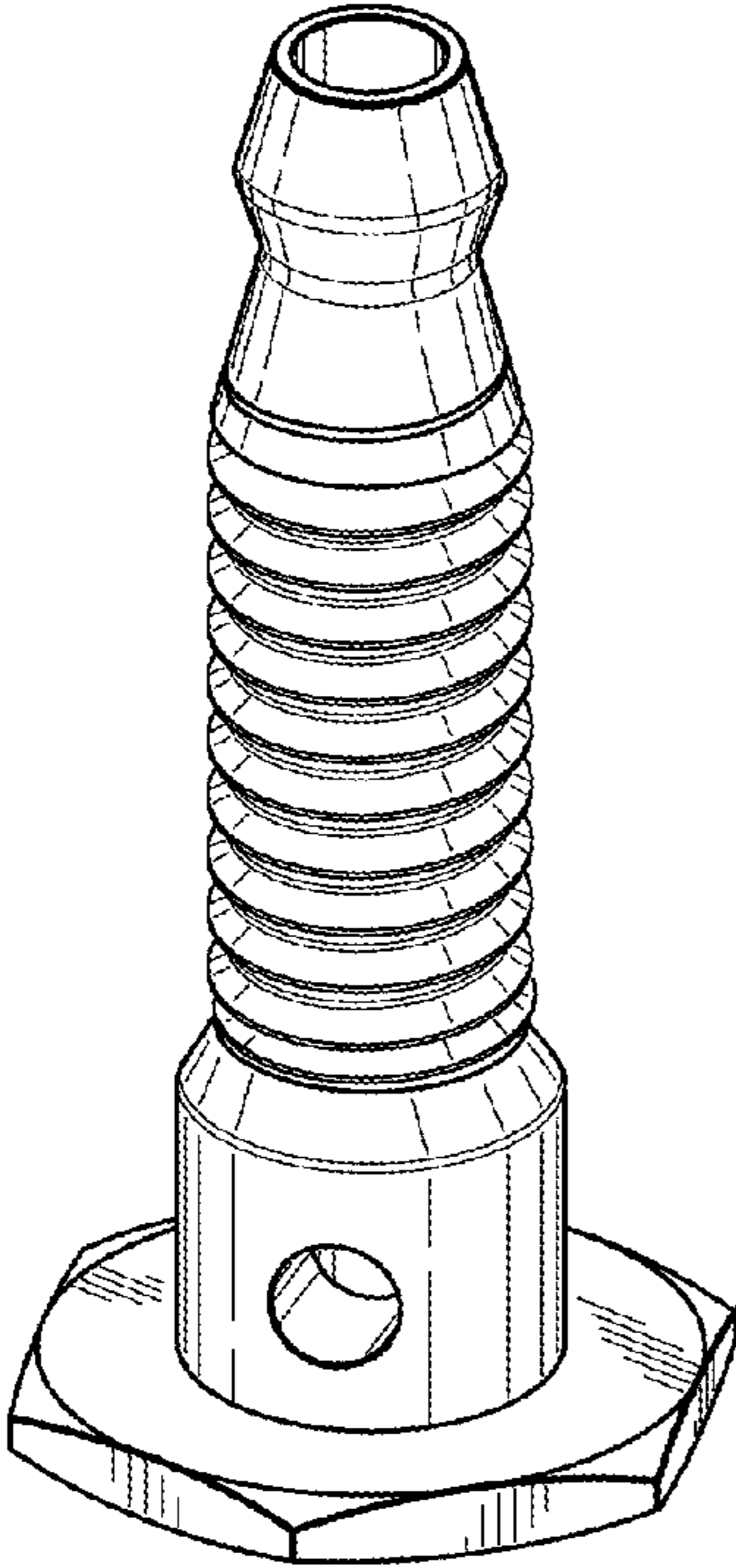


FIG. 1

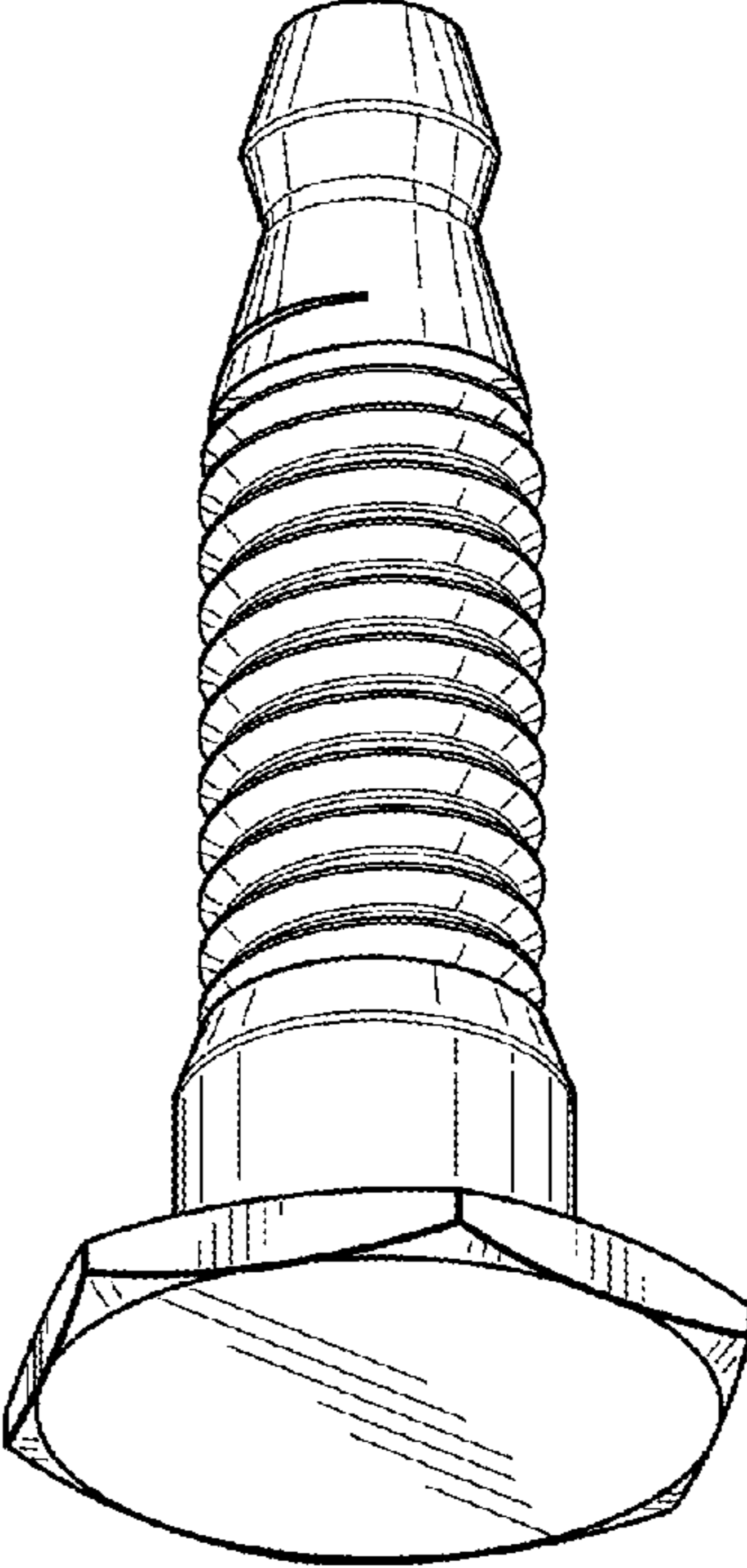


FIG. 2

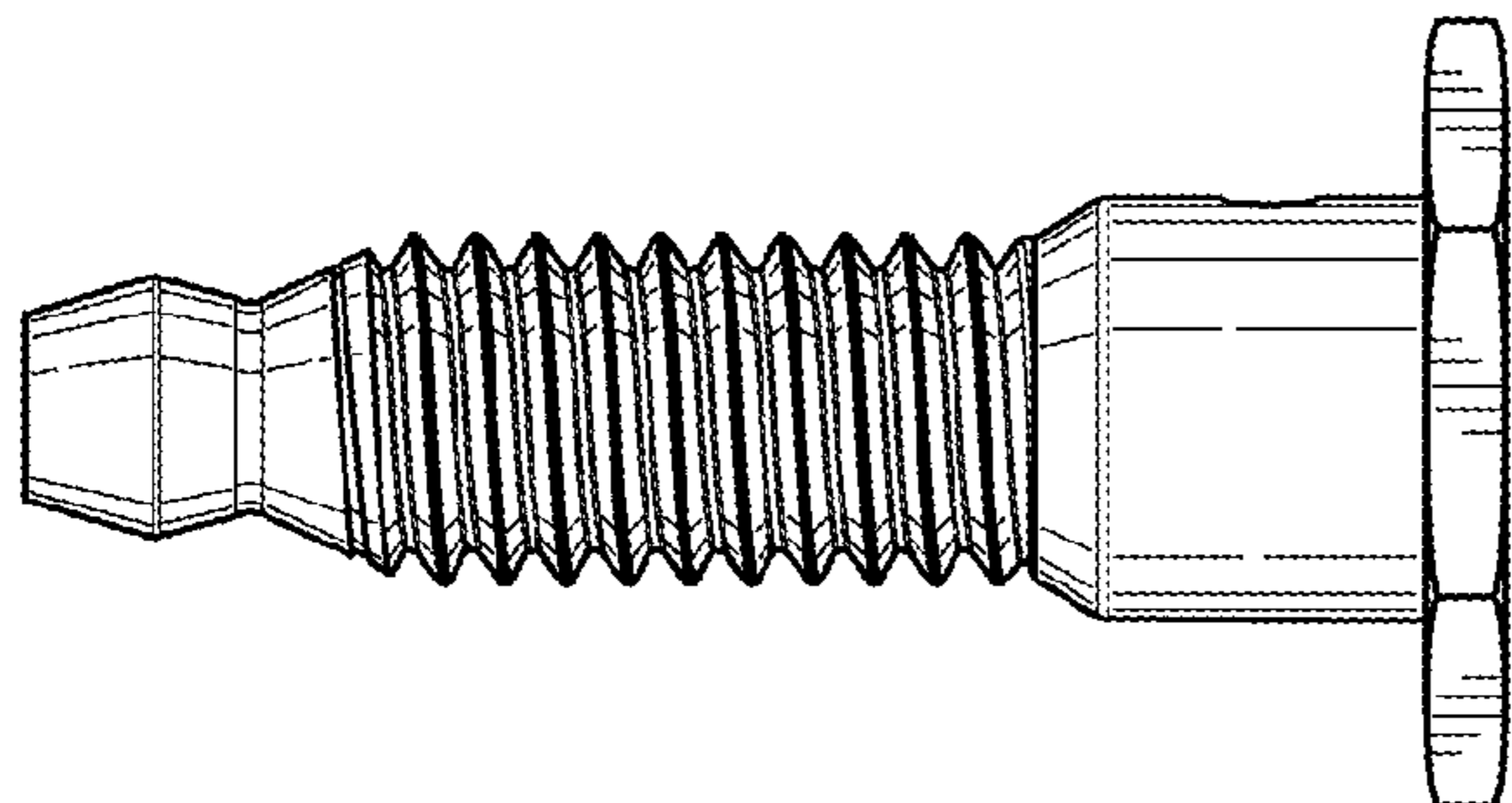


FIG. 3

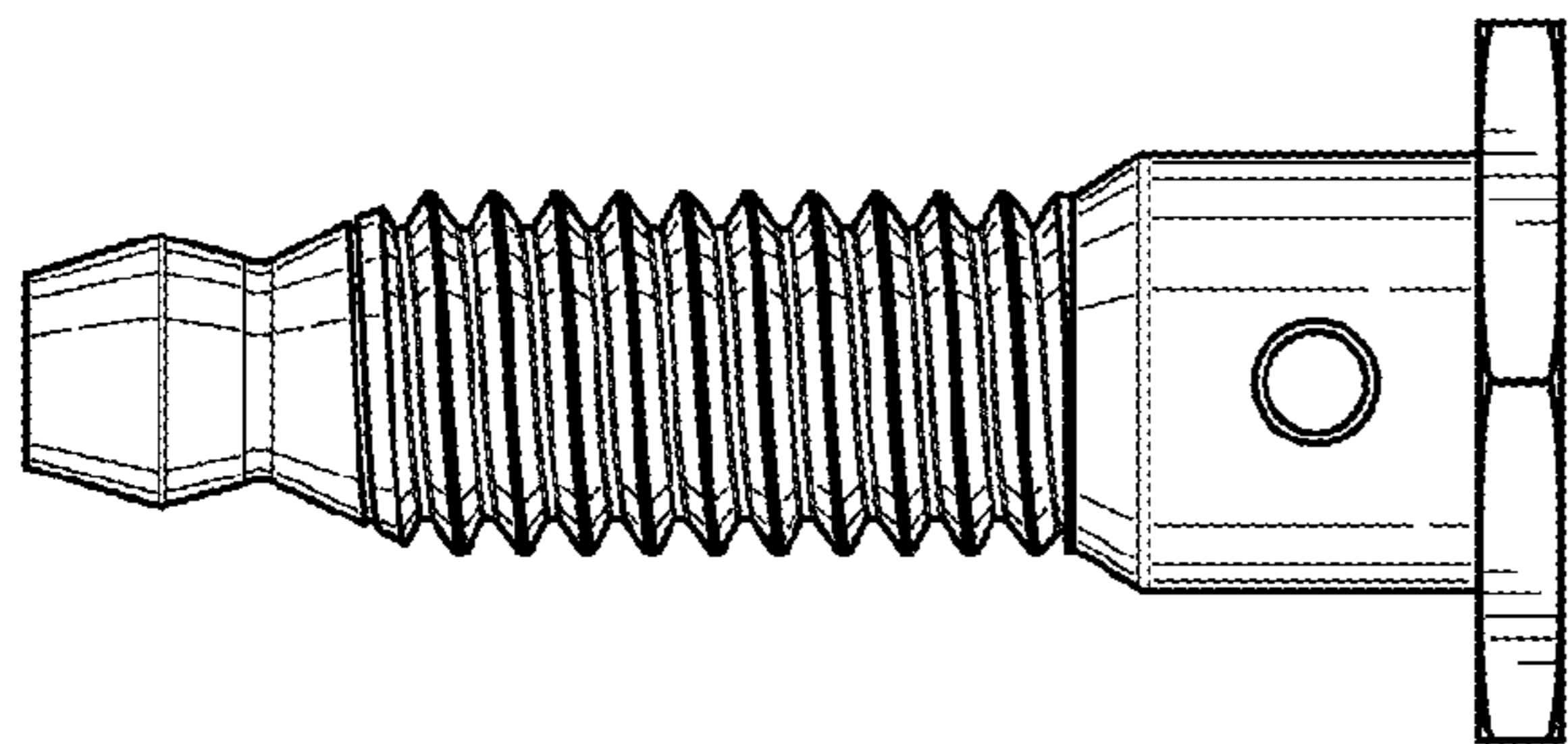


FIG. 4

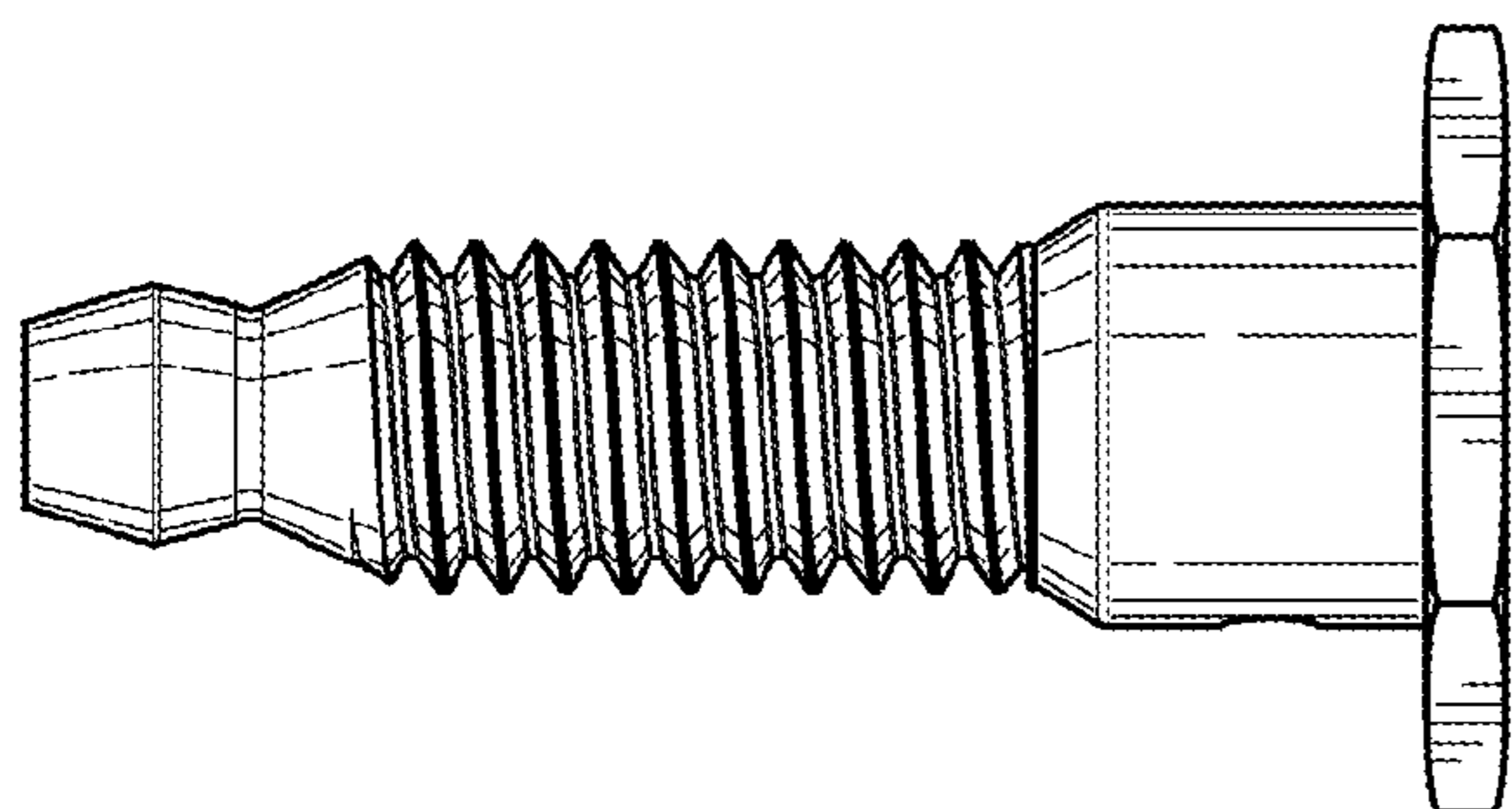


FIG. 5

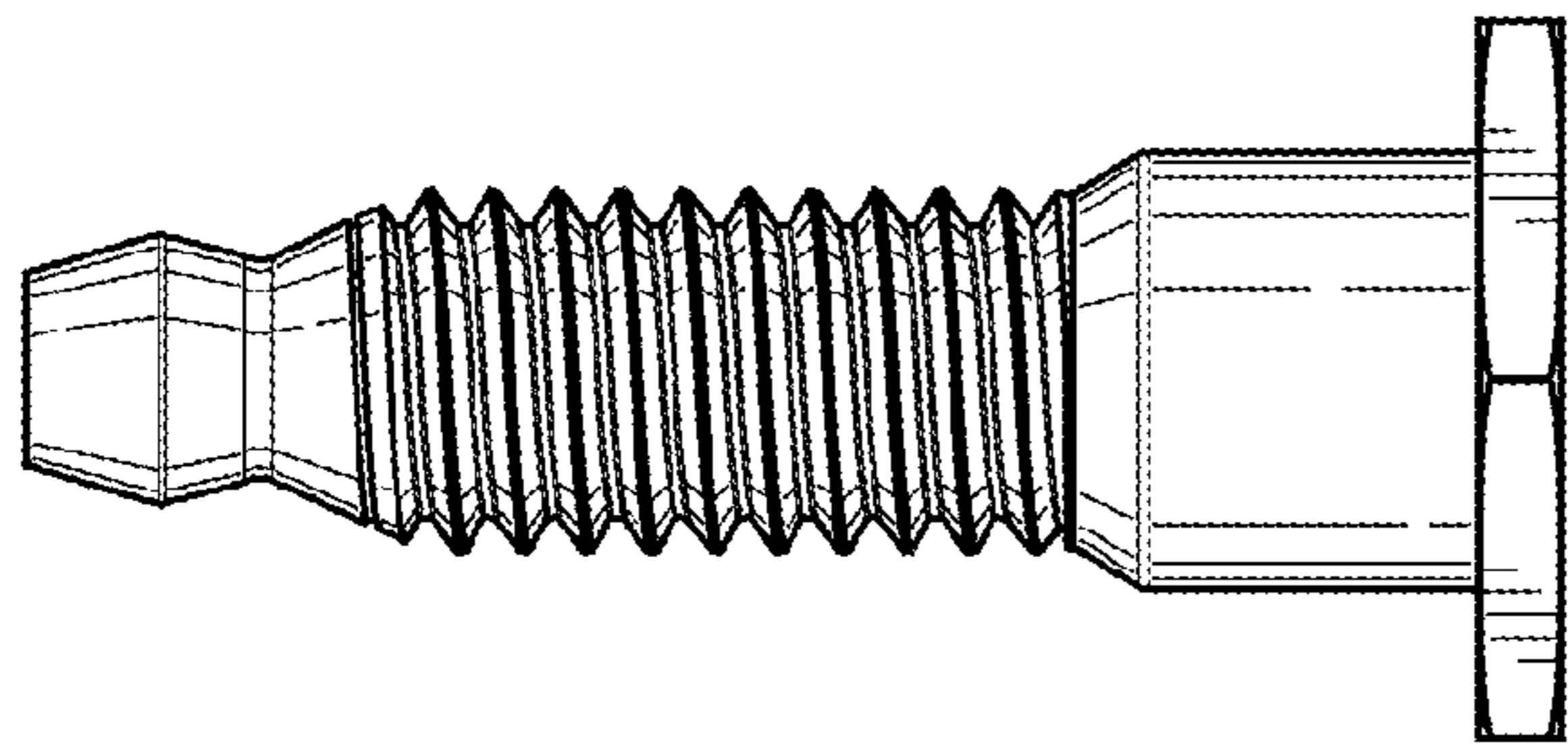


FIG. 6

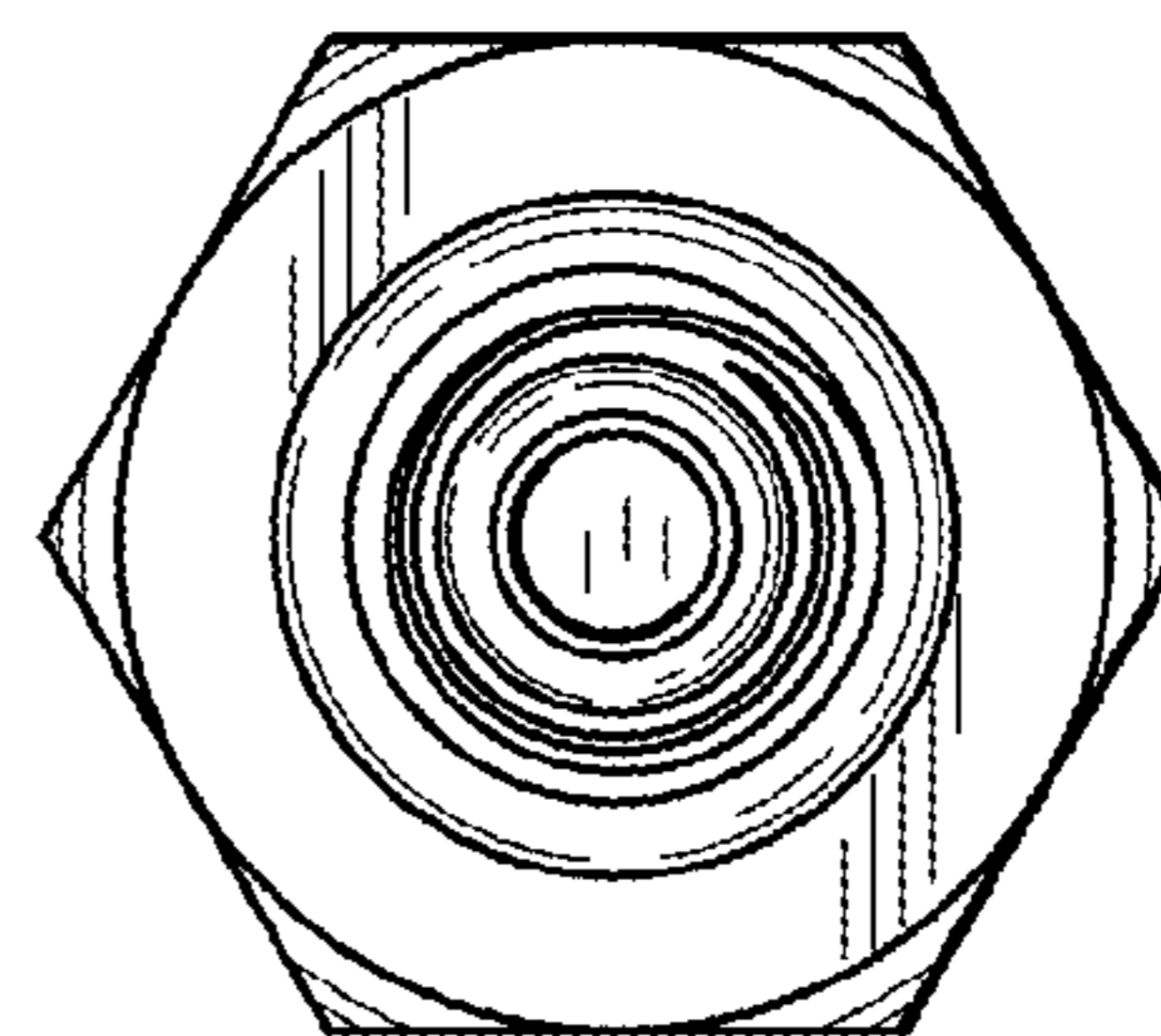


FIG. 7

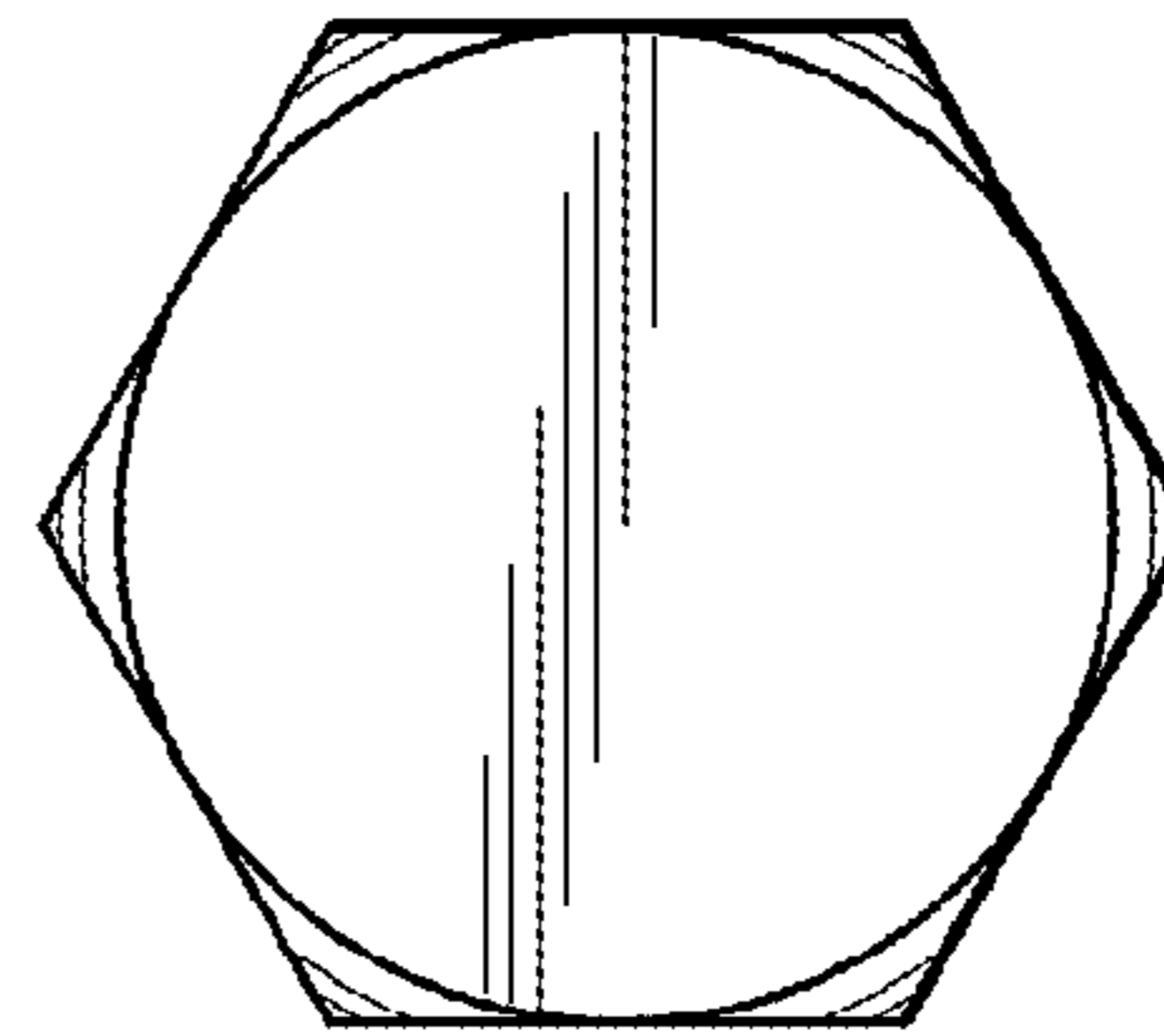


FIG. 8