



US00D649008S

(12) **United States Design Patent**
Caffin et al.

(10) **Patent No.:** **US D649,008 S**

(45) **Date of Patent:** **** Nov. 22, 2011**

(54) **HINGE**

(75) Inventors: **Bartholomew Jeremy Caffin**, North Manly (AU); **Filip Tejszerski**, Mosman (AU)

(73) Assignee: **D & D Group Pty Ltd.**, Frenchs Forest (AU)

(**) Term: **14 Years**

(21) Appl. No.: **29/384,893**

(22) Filed: **Feb. 4, 2011**

(51) **LOC (9) Cl.** **08-06**

(52) **U.S. Cl.** **D8/323**

(58) **Field of Classification Search** D8/323, D8/327, 328, 329, 330, 336, 353; D23/303; 4/236, 240; 16/225, 250, 682, 309, 235, 16/275, 244, 379, 390, 430, 241, 238, 245, 16/236, 243, 242, 385

See application file for complete search history.

(56) **References Cited**

U.S. PATENT DOCUMENTS

| | | | |
|---------------|---------|-----------------|--------|
| 17,354 A | 5/1857 | Smith | |
| 29,212 A | 7/1860 | Acker | |
| 137,951 A | 4/1873 | Palmer | |
| RE5,932 E | 6/1874 | Acker | |
| 204,267 A | 5/1878 | Unger | |
| 329,032 A | 10/1885 | Falls | |
| 391,433 A | 10/1888 | Stover | |
| 631,797 A | 8/1899 | Krause | |
| D32,818 S | 6/1900 | Greenawalt | |
| 754,690 A | 3/1904 | Pelzer | |
| 776,153 A | 11/1904 | Swacick | |
| 887,548 A | 5/1908 | Trumble | |
| 926,520 A | 6/1909 | Thornton et al. | |
| 971,281 A | 9/1910 | Keene et al. | |
| 1,185,503 A | 5/1916 | Harsh | |
| 1,530,341 A | 3/1925 | Bannochie | |
| 1,538,056 A | 5/1925 | Olson | |
| 1,586,615 A | 6/1926 | Elliott | |
| 1,789,775 A | 1/1931 | Russ et al. | |
| 1,832,902 A * | 11/1931 | Holbrook | 16/392 |
| 1,883,506 A | 10/1932 | Bommer | |

| | | |
|-------------|---------|------------------|
| 1,892,584 A | 12/1932 | Olson |
| 1,958,940 A | 5/1934 | Cavanaugh et al. |
| 2,058,163 A | 10/1936 | Malone |
| 2,203,197 A | 6/1940 | Henry |
| 2,218,183 A | 10/1940 | Springer |

(Continued)

FOREIGN PATENT DOCUMENTS

AU 29217-30 9/1931

(Continued)

Primary Examiner — Cynthia Underwood

(74) *Attorney, Agent, or Firm* — Fulwider Patton LLP; Gary M. Anderson

(57) **CLAIM**

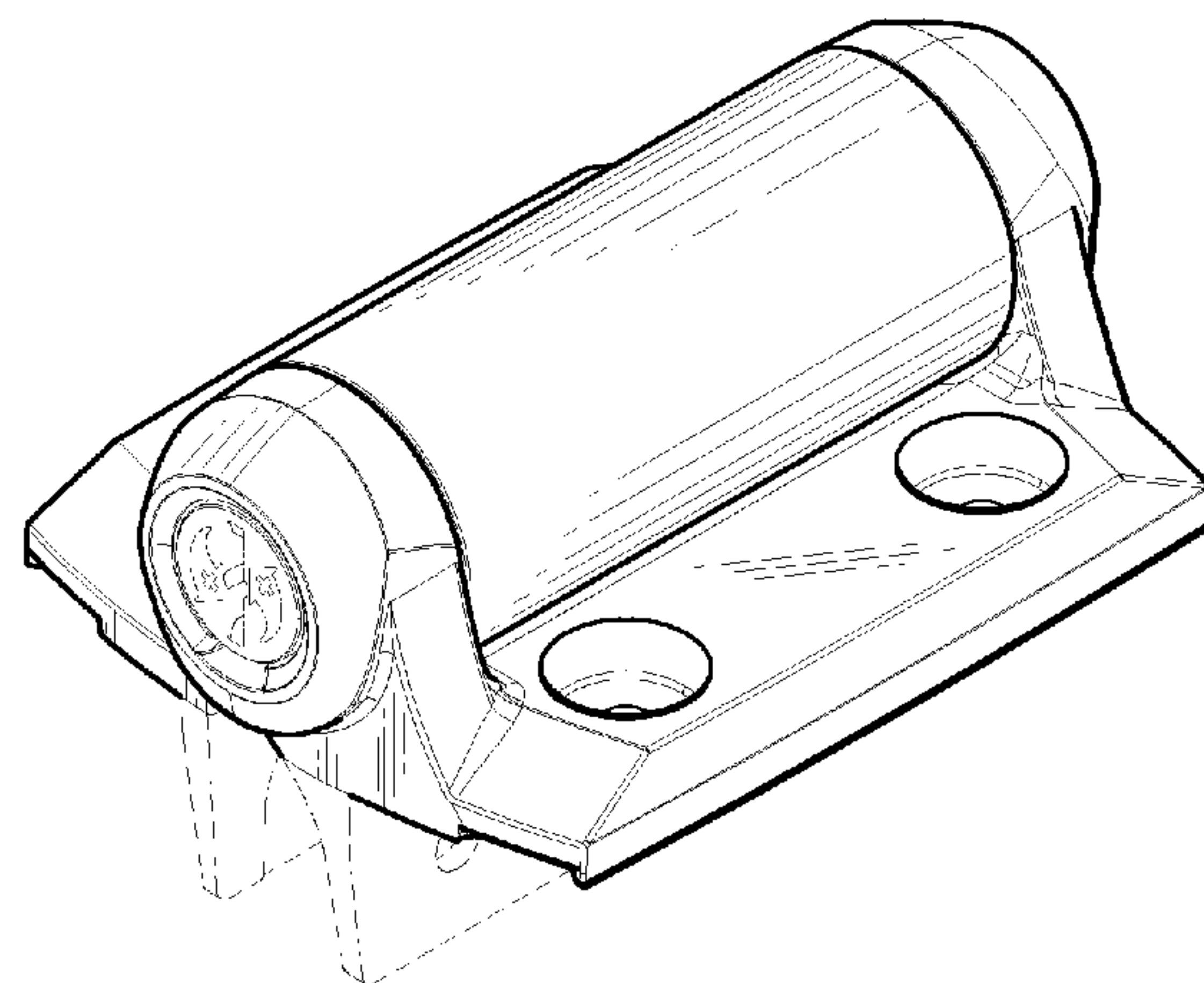
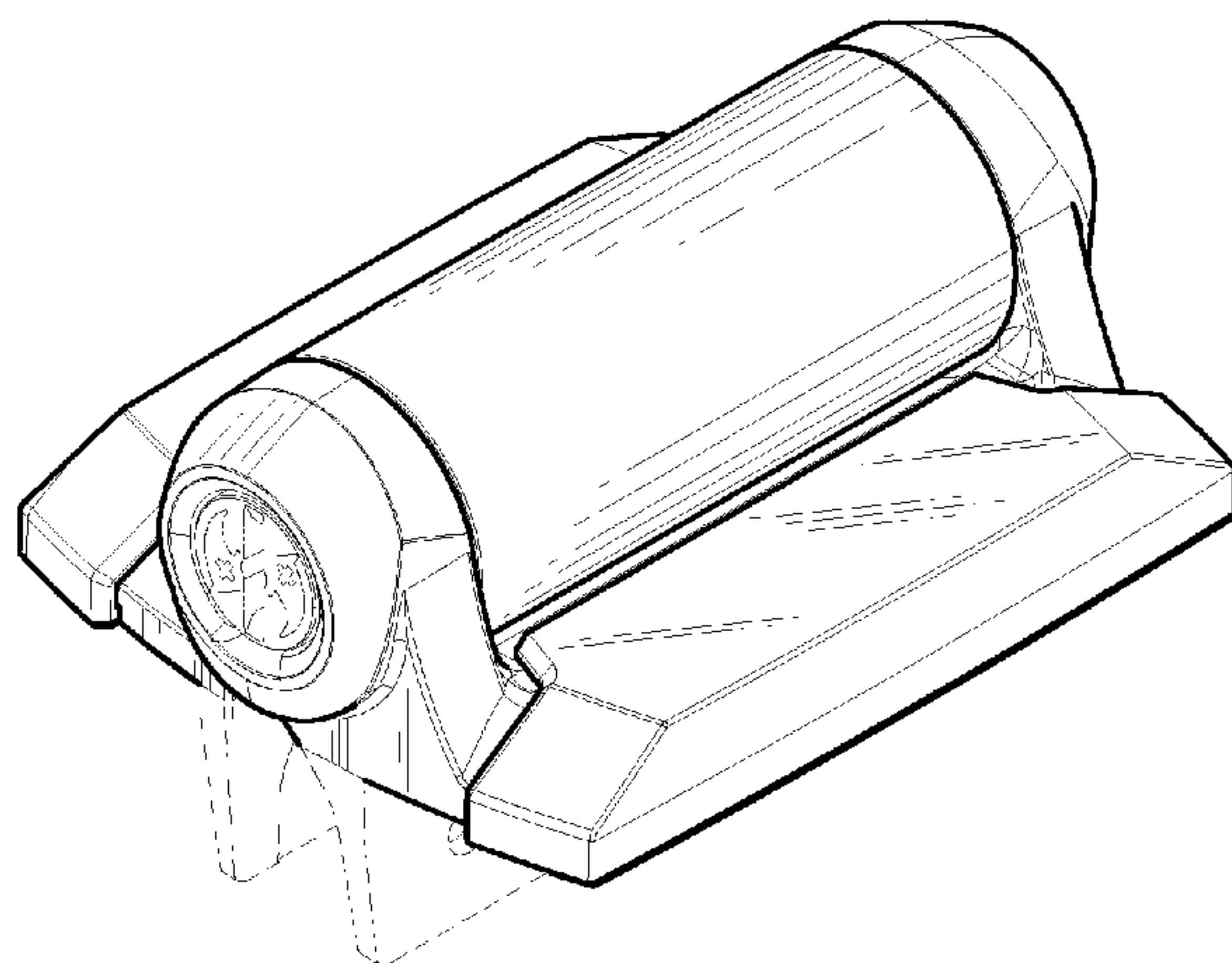
The ornamental design for a hinge, as shown and described.

DESCRIPTION

FIG. 1 is a front elevation view showing a first embodiment of our new design;
 FIG. 2 is a rear elevation view showing a first embodiment of our new design;
 FIG. 3 is a front view thereof;
 FIG. 4 is left side view thereof;
 FIG. 5 is a right side view thereof;
 FIG. 6 is a rear view thereof;
 FIG. 7 is a top end view thereof;
 FIG. 8 is a bottom end view thereof;
 FIG. 9 is a front elevation view of a second embodiment of our new design;
 FIG. 10 is a rear elevation view of a second embodiment of our new design;
 FIG. 11 is a front view thereof;
 FIG. 12 is a left side view thereof;
 FIG. 13 is a right side view thereof;
 FIG. 14 is a rear view thereof;
 FIG. 15 is a top end view thereof; and,
 FIG. 16 is a bottom end view thereof.

The broken lines showing details in the Figures are included for the purpose of showing environmental context of the design, and form no part of the claimed design.

1 Claim, 8 Drawing Sheets



US D649,008 S

Page 2

U.S. PATENT DOCUMENTS

| | | | | |
|-----------|-----|---------|---------------------|--------|
| 2,219,186 | A | 10/1940 | Hornfeck | |
| 2,288,688 | A | 7/1942 | Dubilier | |
| 2,313,712 | A | 3/1943 | Jacobi | |
| D139,227 | S * | 10/1944 | Greiling | D8/323 |
| 2,370,691 | A | 3/1945 | Schlage | |
| 2,514,927 | A | 7/1950 | Bernhard | |
| 2,586,900 | A | 2/1952 | Alderman | |
| 2,597,174 | A | 5/1952 | Patton et al. | |
| 2,615,744 | A | 10/1952 | Colonna | |
| 2,690,349 | A | 9/1954 | Teetor | |
| 2,726,891 | A | 12/1955 | Gresham et al. | |
| 2,767,007 | A | 10/1956 | Burke | |
| 2,797,655 | A | 7/1957 | Morehouse | |
| 2,839,912 | A | 6/1958 | Corbin et al. | |
| D183,261 | S * | 7/1958 | Mink | D8/327 |
| 2,942,907 | A | 6/1960 | Nagel et al. | |
| 2,953,916 | A | 9/1960 | Thomas | |
| 2,988,389 | A | 6/1961 | Wilson | |
| 3,040,555 | A | 6/1962 | Wartian | |
| 3,046,776 | A | 7/1962 | Marotto et al. | |
| 3,098,258 | A | 7/1963 | Ruiz | |
| 3,107,113 | A | 10/1963 | Sconzo | |
| 3,111,021 | A | 11/1963 | Patriquin et al. | |
| 3,115,026 | A | 12/1963 | Moore et al. | |
| 3,161,036 | A | 12/1964 | Himes | |
| 3,273,925 | A | 9/1966 | Graham | |
| 3,314,707 | A | 4/1967 | Van Donselaar | |
| 3,316,582 | A | 5/1967 | Johnson et al. | |
| 3,334,936 | A | 8/1967 | Hekelaar et al. | |
| 3,350,127 | A | 10/1967 | Hekelaar | |
| 3,380,109 | A | 4/1968 | Ruiz | |
| D212,861 | S | 12/1968 | Raymond | |
| 3,433,518 | A | 3/1969 | Foltz | |
| 3,516,701 | A | 6/1970 | Graham | |
| 3,538,538 | A | 11/1970 | Field | |
| 3,591,219 | A | 7/1971 | Graziosi | |
| 3,593,547 | A | 7/1971 | Taylor | |
| 3,677,591 | A | 7/1972 | Waldo | |
| 3,691,799 | A | 9/1972 | Hoffmann et al. | |
| 3,705,505 | A | 12/1972 | Landow et al. | |
| 3,778,866 | A | 12/1973 | Nakanishi | |
| 3,785,186 | A | 1/1974 | James et al. | |
| 3,794,366 | A | 2/1974 | Graham | |
| 3,825,973 | A | 7/1974 | Gwozdz | |
| 3,881,331 | A | 5/1975 | Tranberg et al. | |
| 3,890,813 | A | 6/1975 | Cothron | |
| 3,903,567 | A | 9/1975 | Suska | |
| 3,965,533 | A | 6/1976 | Frohlich | |
| 3,978,551 | A | 9/1976 | Mochizuki | |
| 4,014,192 | A | 3/1977 | Dillon et al. | |
| 4,025,095 | A | 5/1977 | Hausladen | |
| 4,069,545 | A | 1/1978 | Holet et al. | |
| 4,073,038 | A | 2/1978 | Curry et al. | |
| 4,073,520 | A | 2/1978 | Tsuchiya et al. | |
| 4,118,055 | A | 10/1978 | Bischoff, Jr. | |
| 4,339,845 | A | 7/1982 | Newlon et al. | |
| 4,378,684 | A | 4/1983 | Dugan et al. | |
| 4,414,828 | A | 11/1983 | Takinami et al. | |
| 4,583,262 | A | 4/1986 | Werner | |
| 4,691,541 | A | 9/1987 | McQuade, Sr. et al. | |
| 4,732,418 | A | 3/1988 | Crown et al. | |
| 4,751,765 | A | 6/1988 | Wu | |
| 4,817,242 | A | 4/1989 | Rapp | |
| D301,116 | S | 5/1989 | Foshee et al. | |
| 4,838,053 | A | 6/1989 | Shen | |
| 4,848,812 | A | 7/1989 | Slaughter | |
| 4,919,463 | A | 4/1990 | McQuade | |
| 4,921,289 | A | 5/1990 | Shen | |
| 4,938,508 | A | 7/1990 | Thomas | |
| 4,962,567 | A | 10/1990 | Dixon | |
| 5,018,920 | A | 5/1991 | Speakman | |
| 5,024,473 | A | 6/1991 | McQuade | |
| 5,029,912 | A | 7/1991 | Gotanda | |
| 5,031,270 | A | 7/1991 | Lee | |
| 5,063,764 | A | 11/1991 | Amis et al. | |
| 5,103,658 | A | 4/1992 | McQuade | |
| 5,149,155 | A | 9/1992 | Caeti et al. | |
| 5,177,987 | A | 1/1993 | Shen | |

| | | | | |
|--------------|-----|---------|---------------------|--------|
| D335,718 | S | 5/1993 | Maglica et al. | |
| 5,265,924 | A | 11/1993 | Kim | |
| D342,952 | S | 1/1994 | Yoder | |
| 5,356,095 | A | 10/1994 | Aker | |
| 5,358,292 | A | 10/1994 | Van Wiebe et al. | |
| 5,362,116 | A | 11/1994 | Doyle et al. | |
| 5,526,659 | A | 6/1996 | Takimoto | |
| D371,503 | S | 7/1996 | Nakano | |
| 5,572,768 | A | 11/1996 | Daul | |
| D376,971 | S * | 12/1996 | Schutz | D8/327 |
| 5,584,100 | A | 12/1996 | Doyle et al. | |
| 5,655,801 | A | 8/1997 | Casey | |
| D385,475 | S * | 10/1997 | Bolinas et al. | D8/328 |
| 5,715,574 | A | 2/1998 | Schall | |
| D401,134 | S * | 11/1998 | Finkelstein | D8/329 |
| 5,876,073 | A | 3/1999 | Geringer et al. | |
| 6,058,747 | A | 5/2000 | Doyle et al. | |
| D436,515 | S * | 1/2001 | Sonntag | D8/328 |
| 6,174,005 | B1 | 1/2001 | Norton | |
| D443,196 | S | 6/2001 | Sosa | |
| 6,264,255 | B1 | 7/2001 | Fortune | |
| 6,327,879 | B1 | 12/2001 | Malsom | |
| 6,347,819 | B1 | 2/2002 | Plaxco | |
| 6,364,383 | B1 | 4/2002 | Shen | |
| D457,113 | S | 5/2002 | Zapushek et al. | |
| 6,460,220 | B1 | 10/2002 | Jackson | |
| 6,513,351 | B2 | 2/2003 | Clark | |
| D484,389 | S | 12/2003 | Evans | |
| 6,732,408 | B2 | 5/2004 | Wu | |
| 6,733,049 | B2 | 5/2004 | Piorkowski et al. | |
| 6,733,050 | B1 | 5/2004 | Yao | |
| D495,235 | S | 8/2004 | Burrows | |
| D502,859 | S | 3/2005 | Peng et al. | |
| 6,869,115 | B2 | 3/2005 | Shen | |
| 6,898,953 | B1 | 5/2005 | Paprocki et al. | |
| 6,905,152 | B1 | 6/2005 | Hudson | |
| 7,044,511 | B2 | 5/2006 | Kliefoth et al. | |
| D533,433 | S * | 12/2006 | Loggen | D8/329 |
| 7,201,030 | B2 | 4/2007 | Timothy | |
| D543,830 | S | 6/2007 | Frank et al. | |
| 7,240,400 | B2 | 7/2007 | Bonham | |
| D548,044 | S | 8/2007 | Tang | |
| D550,061 | S | 9/2007 | Tang | |
| D552,448 | S | 10/2007 | Tang | |
| 7,296,448 | B1 | 11/2007 | Shaw | |
| D557,586 | S | 12/2007 | Shire et al. | |
| D565,386 | S * | 4/2008 | Bladen et al. | D8/323 |
| D595,569 | S | 7/2009 | Darling, III | |
| D601,403 | S | 10/2009 | Cosby et al. | |
| D605,493 | S | 12/2009 | Tejszerski | |
| D621,683 | S * | 8/2010 | Mullenix | D8/323 |
| D622,576 | S * | 8/2010 | Farkas et al. | D8/328 |
| D635,433 | S * | 4/2011 | Le | D8/327 |
| 2004/0093689 | A1 | 5/2004 | Sosa et al. | |
| 2007/0007773 | A1 | 1/2007 | Berkseth et al. | |
| 2008/0016923 | A1 | 1/2008 | Zheng | |

FOREIGN PATENT DOCUMENTS

| | | |
|----|----------|---------|
| AU | 138996 | 4/1948 |
| AU | 245874 | 5/1963 |
| DE | 1961736 | 6/1971 |
| DE | 3205224 | 8/1983 |
| DE | 3313220 | 10/1984 |
| DE | 3605826 | 8/1987 |
| FR | 1180547 | 6/1959 |
| FR | 2405347 | 5/1979 |
| GB | 693564 | 7/1953 |
| GB | 759211 | 10/1956 |
| GB | 1108996 | 4/1968 |
| GB | 1382227 | 1/1975 |
| GB | 2006892 | 5/1990 |
| GB | 2010086 | 10/1990 |
| JP | 1-198983 | 8/1989 |
| JP | 3-172482 | 7/1991 |
| JP | 3212589 | 9/1991 |
| JP | 8210001 | 8/1996 |
| WO | 92/03631 | 3/1992 |

* cited by examiner

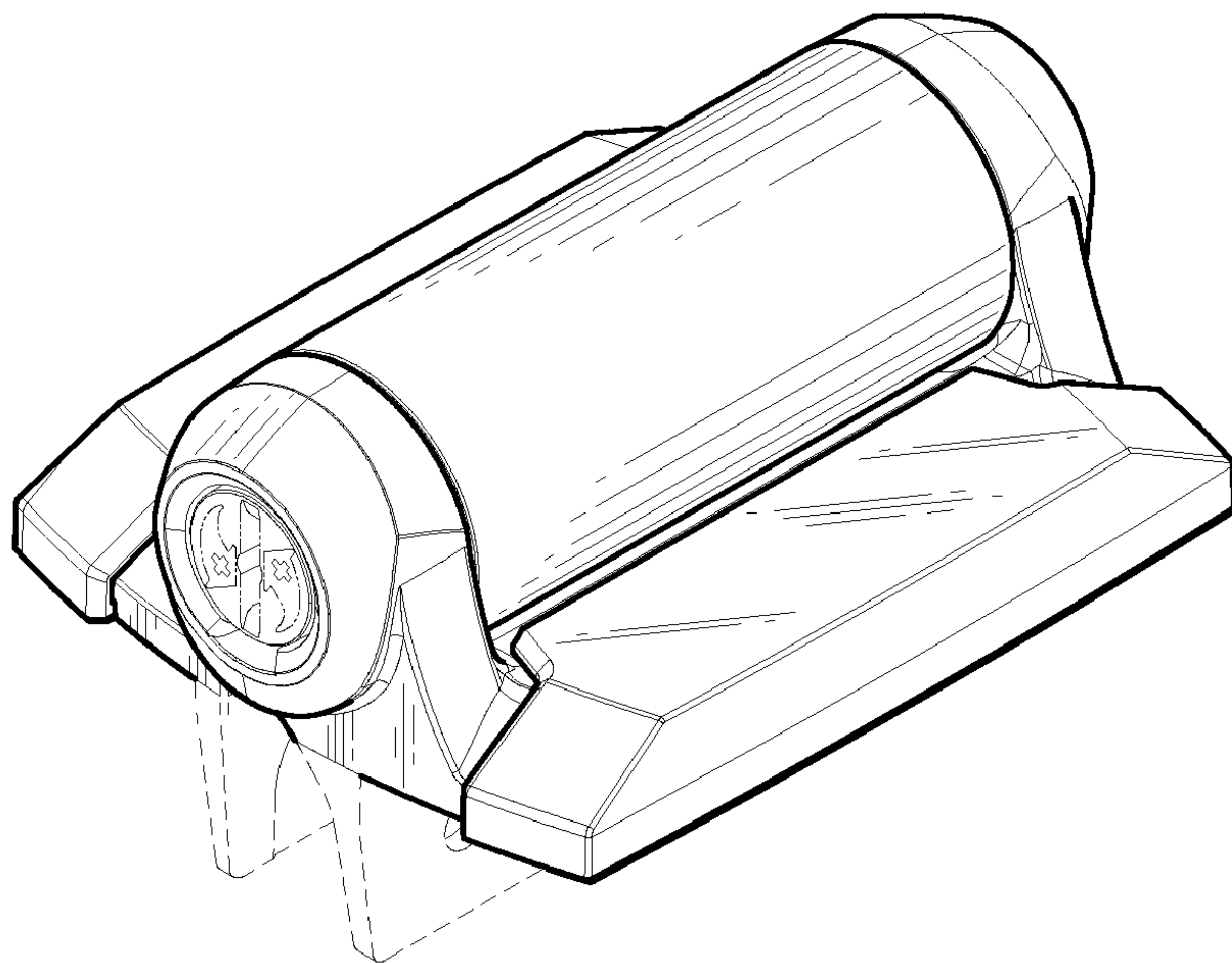


FIG. 1

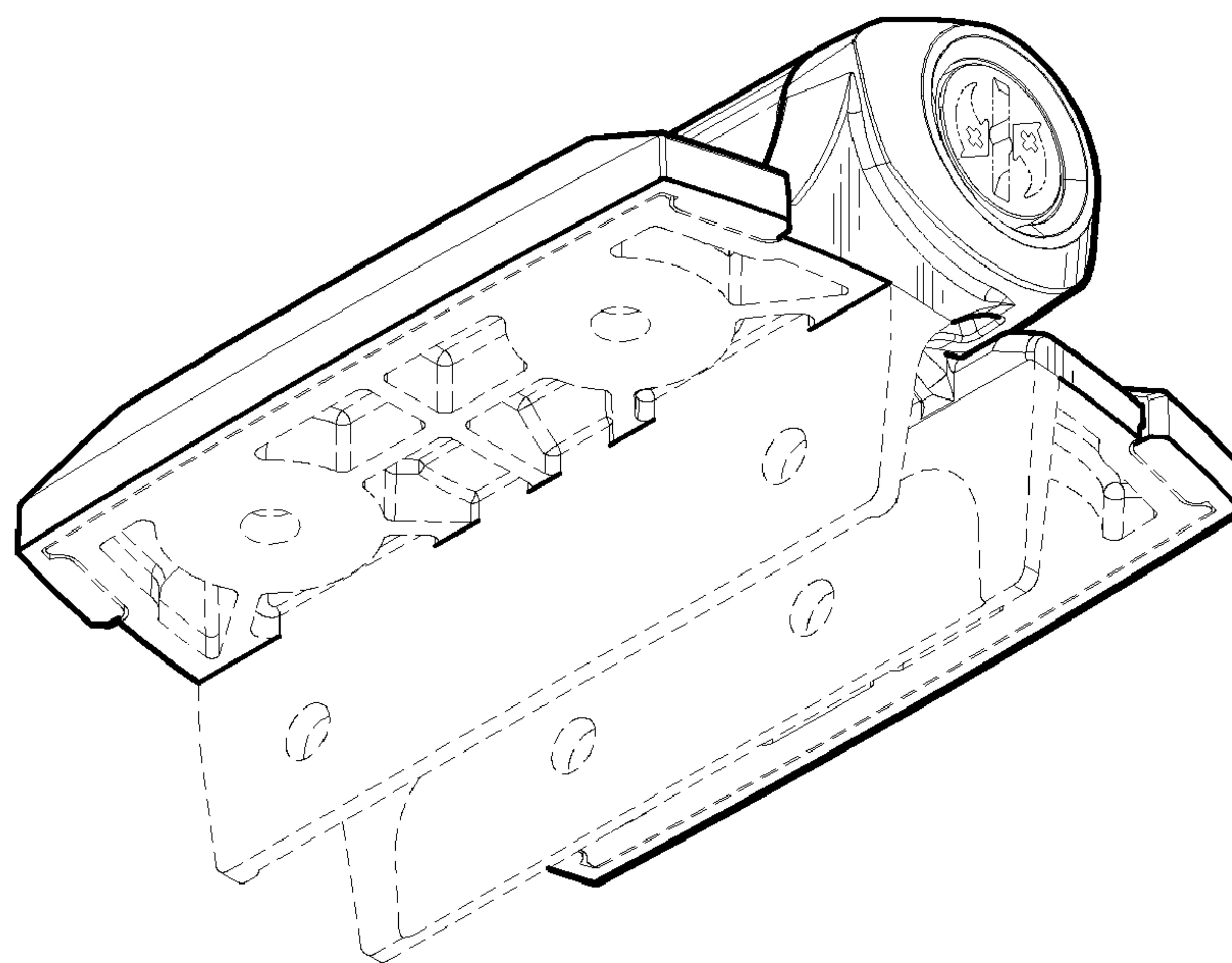


FIG. 2

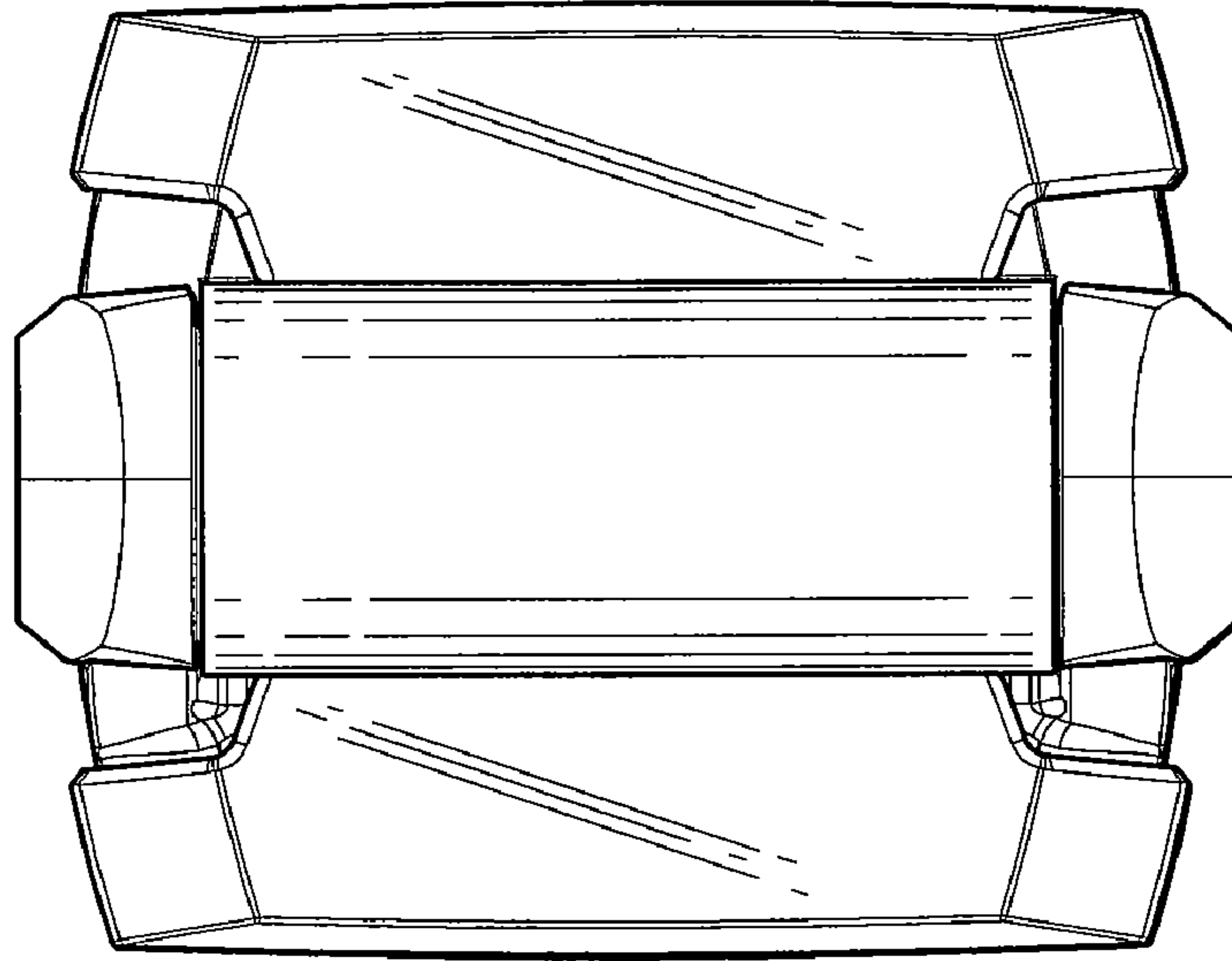


FIG. 3

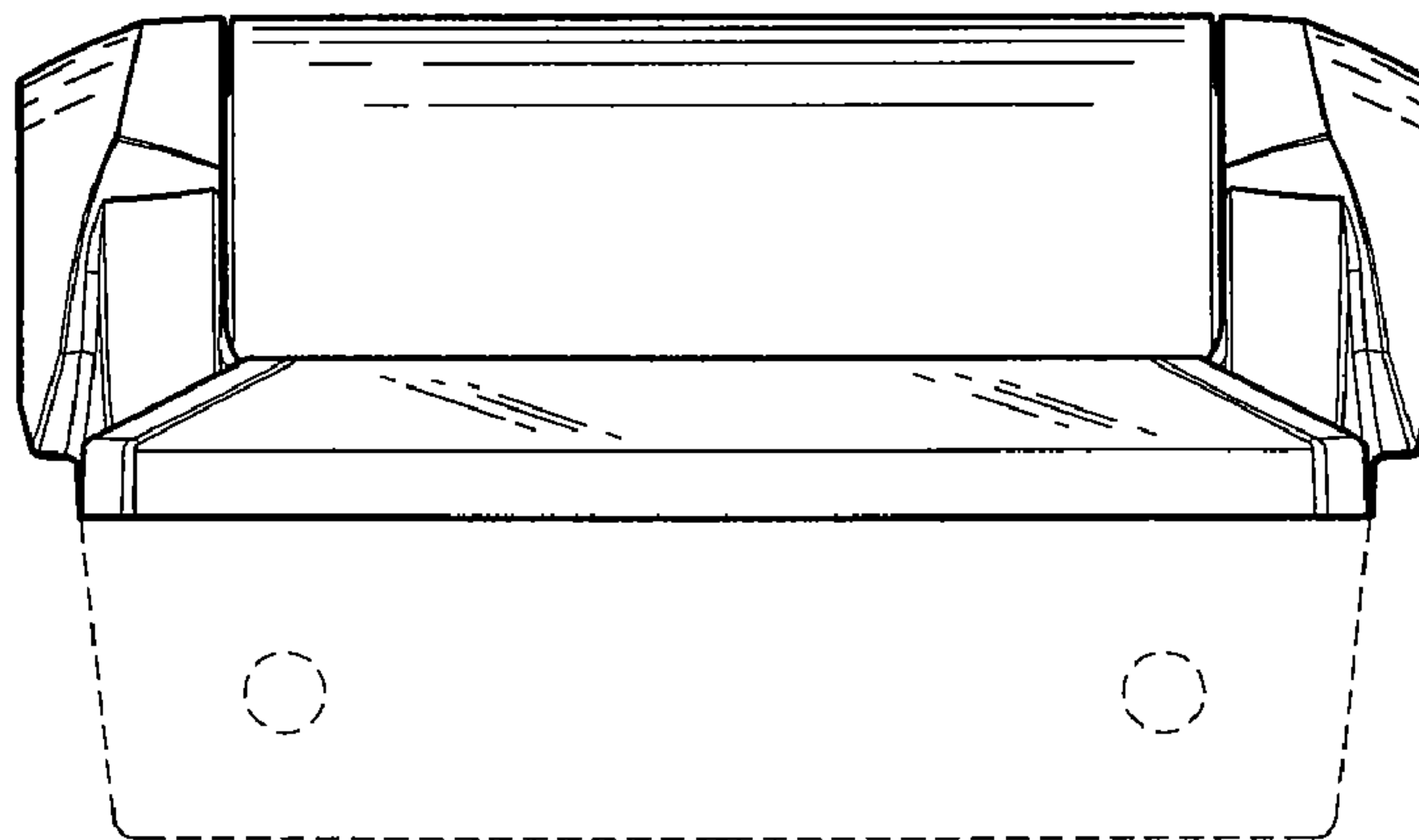


FIG. 4

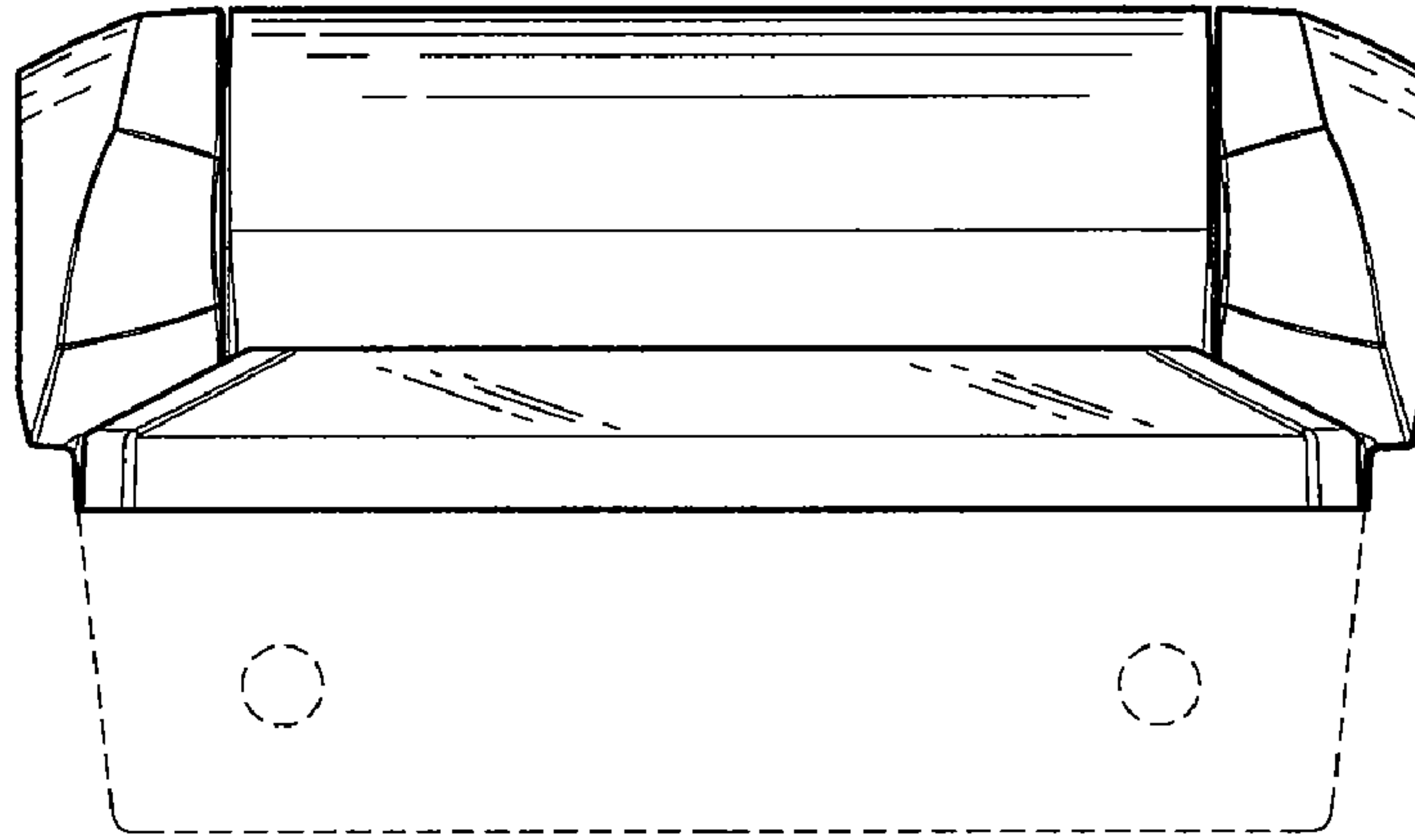


FIG. 5

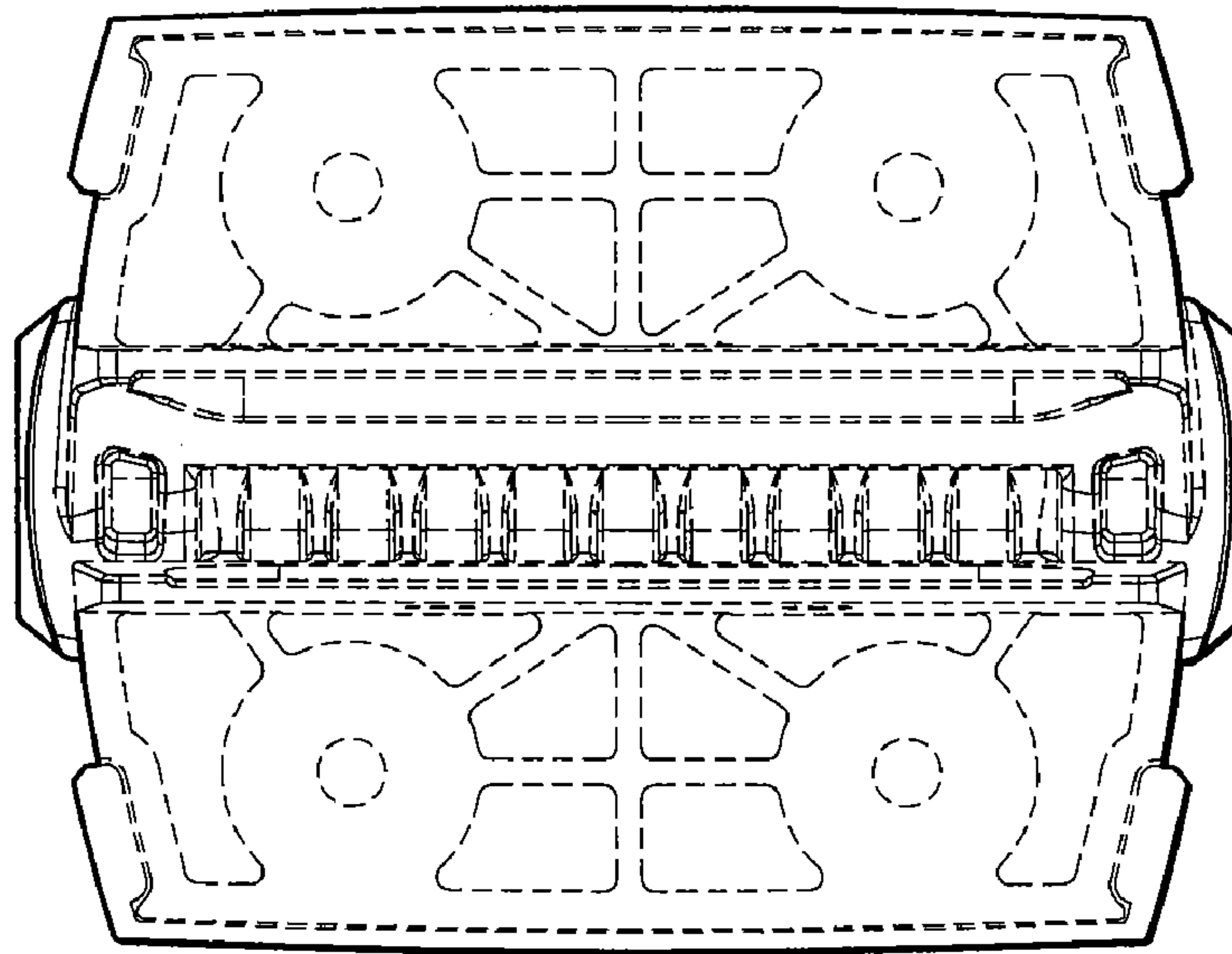


FIG. 6

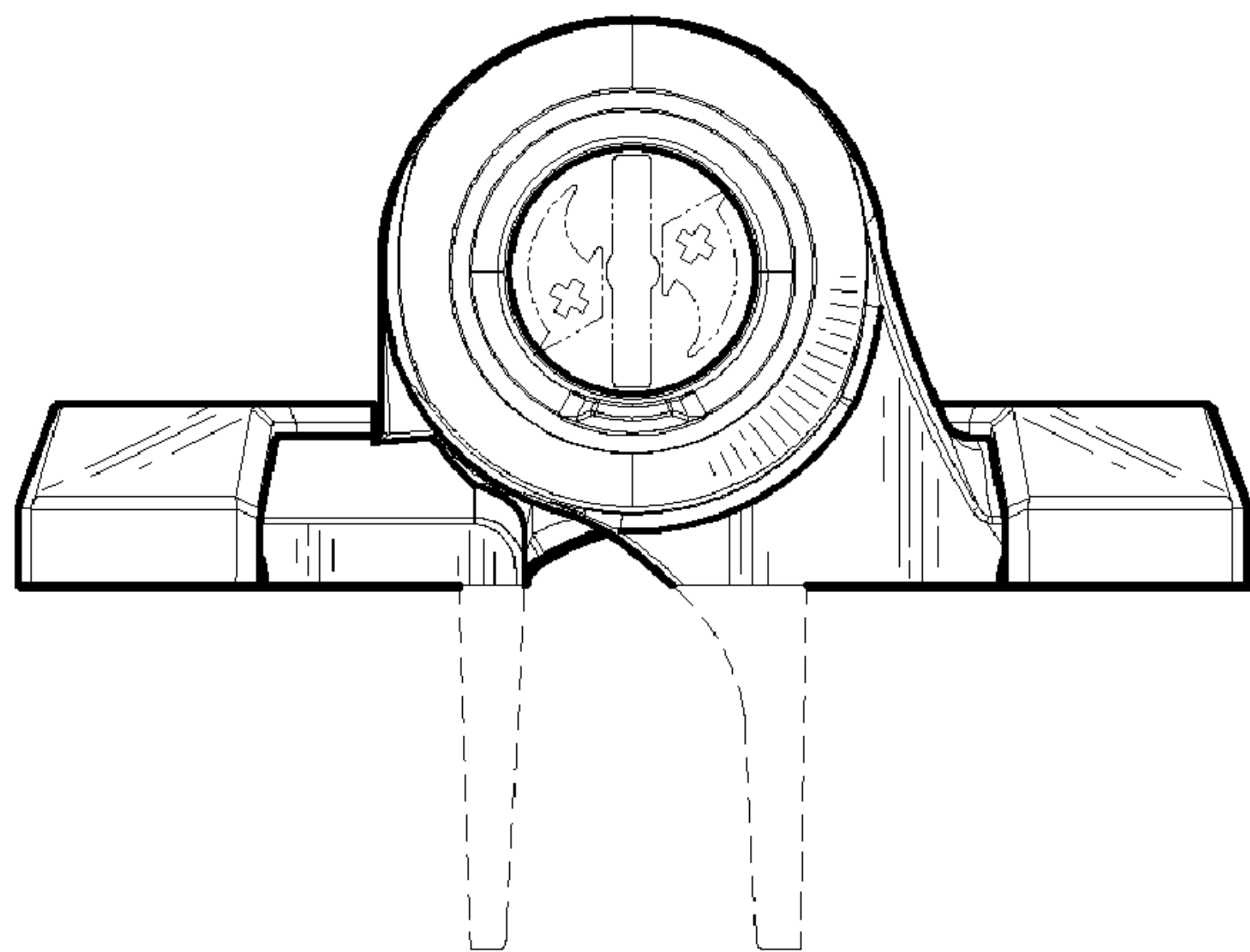


FIG. 7

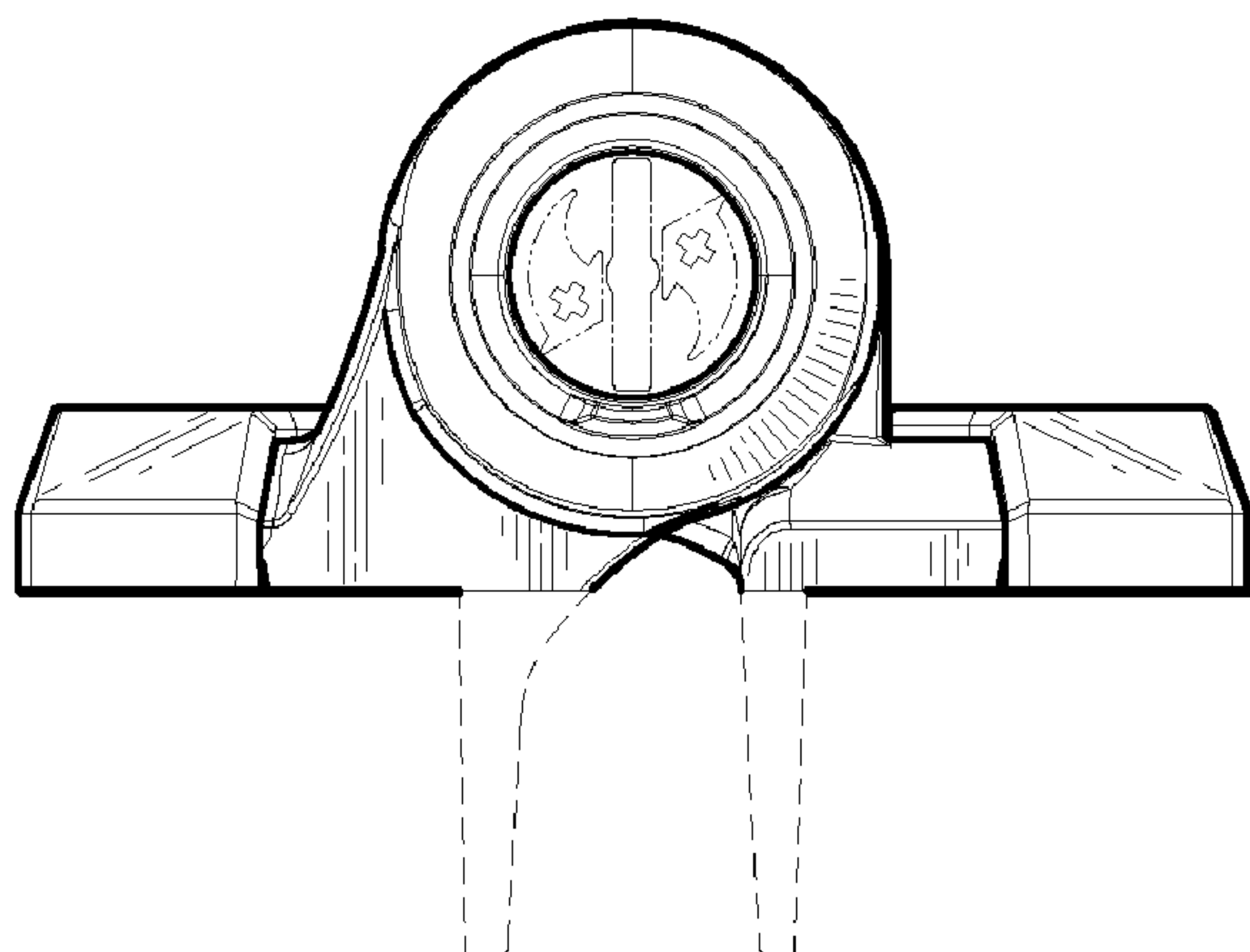


FIG. 8

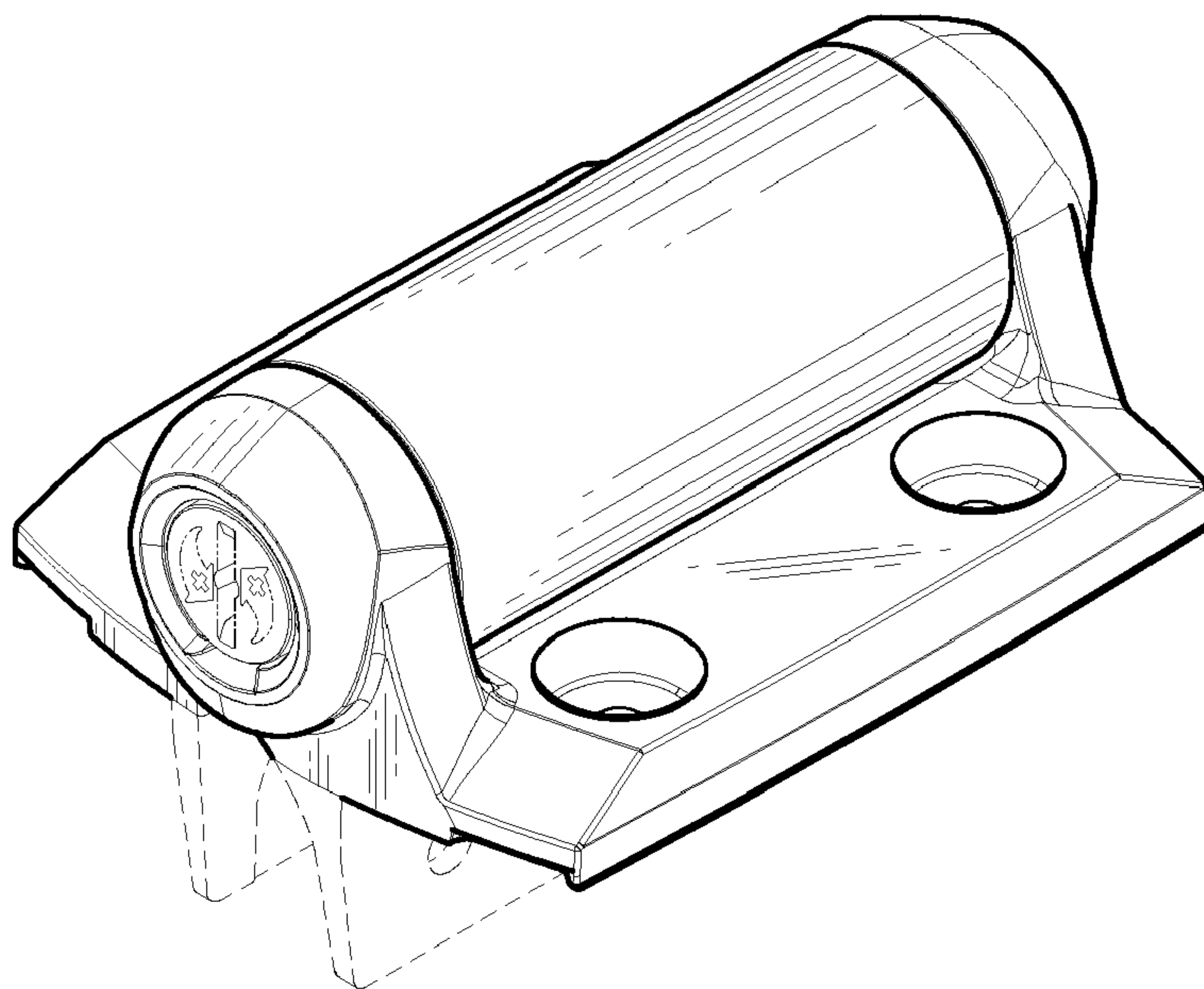


FIG. 9

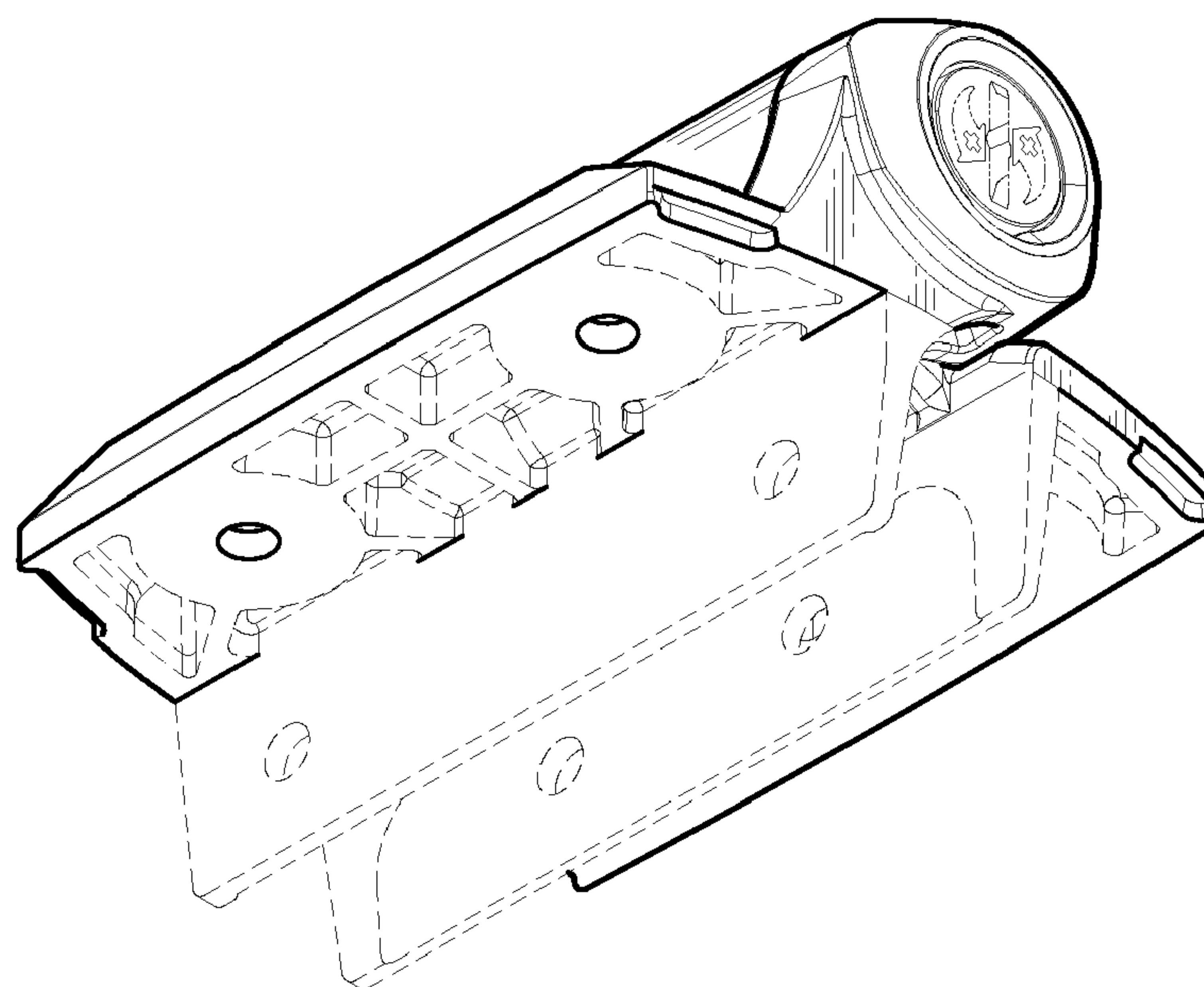


FIG. 10

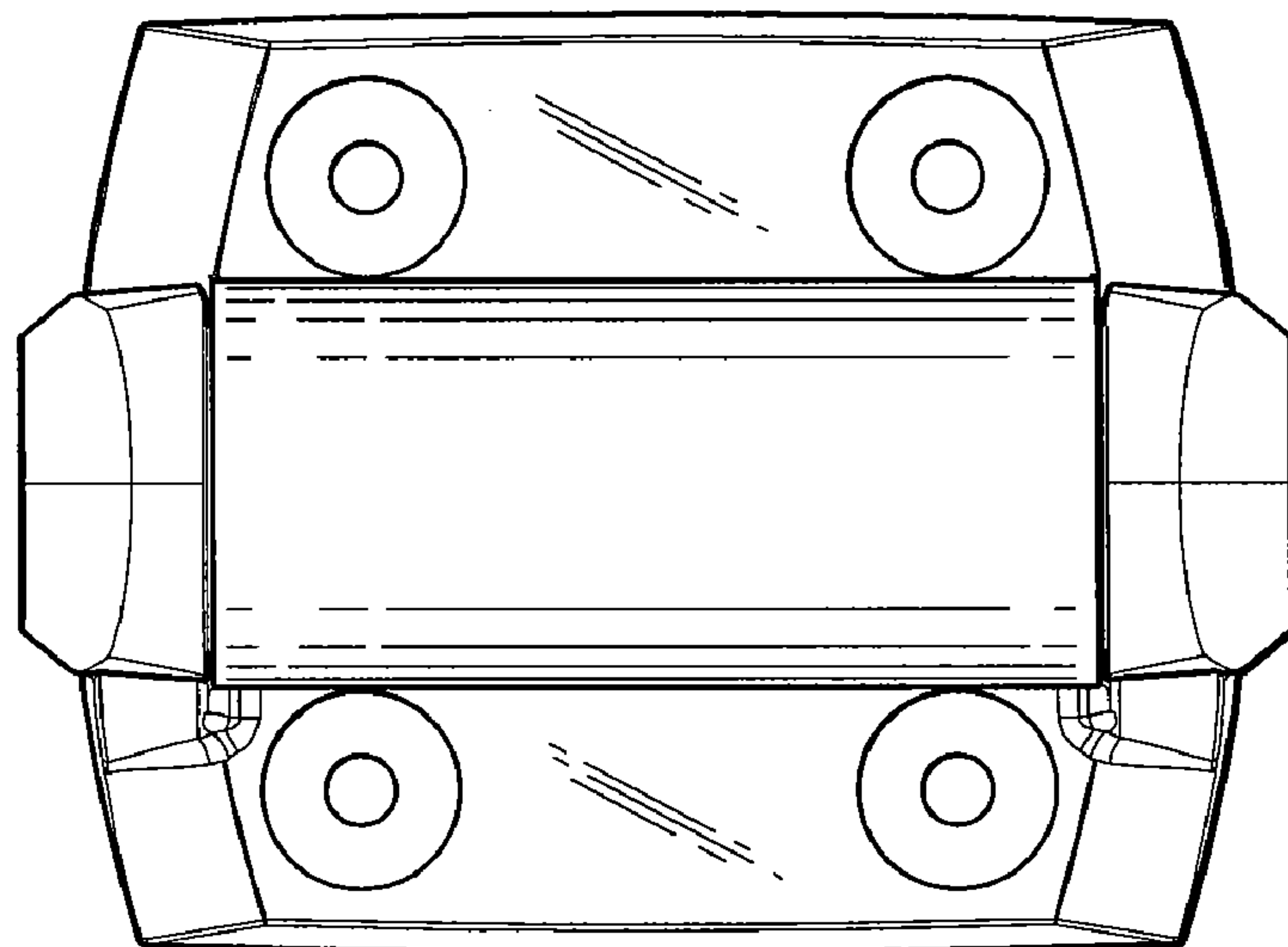


FIG. 11

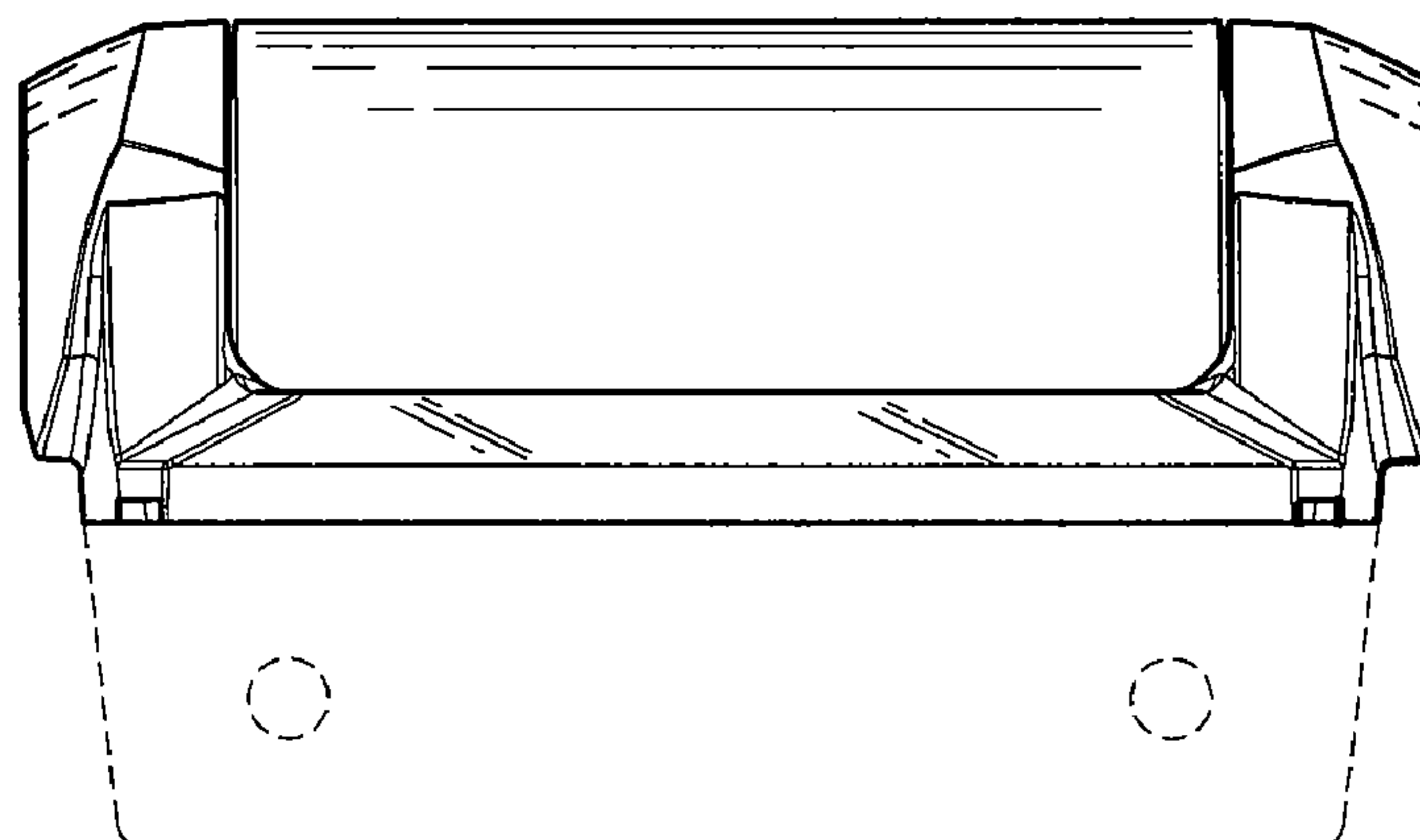


FIG. 12

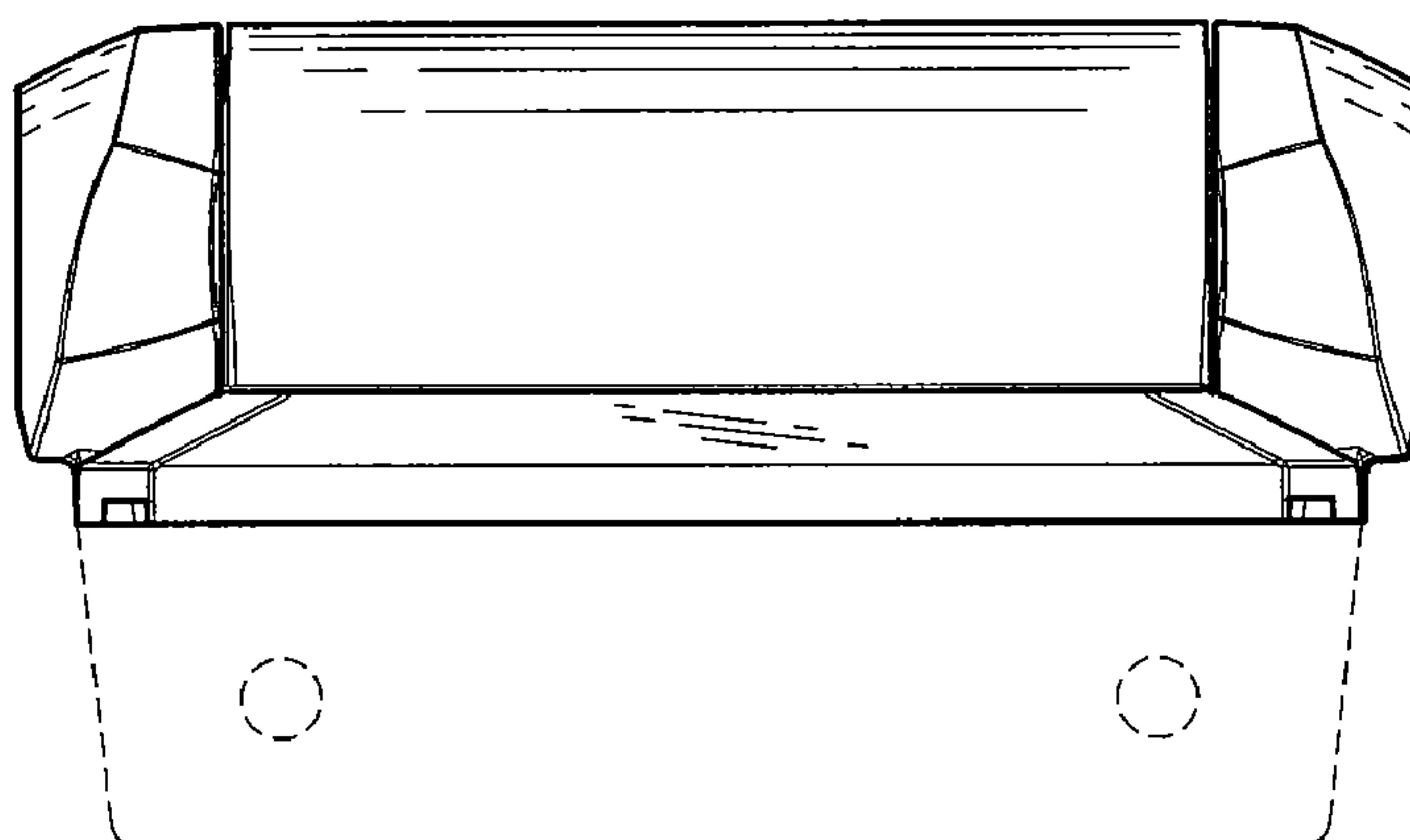


FIG. 13

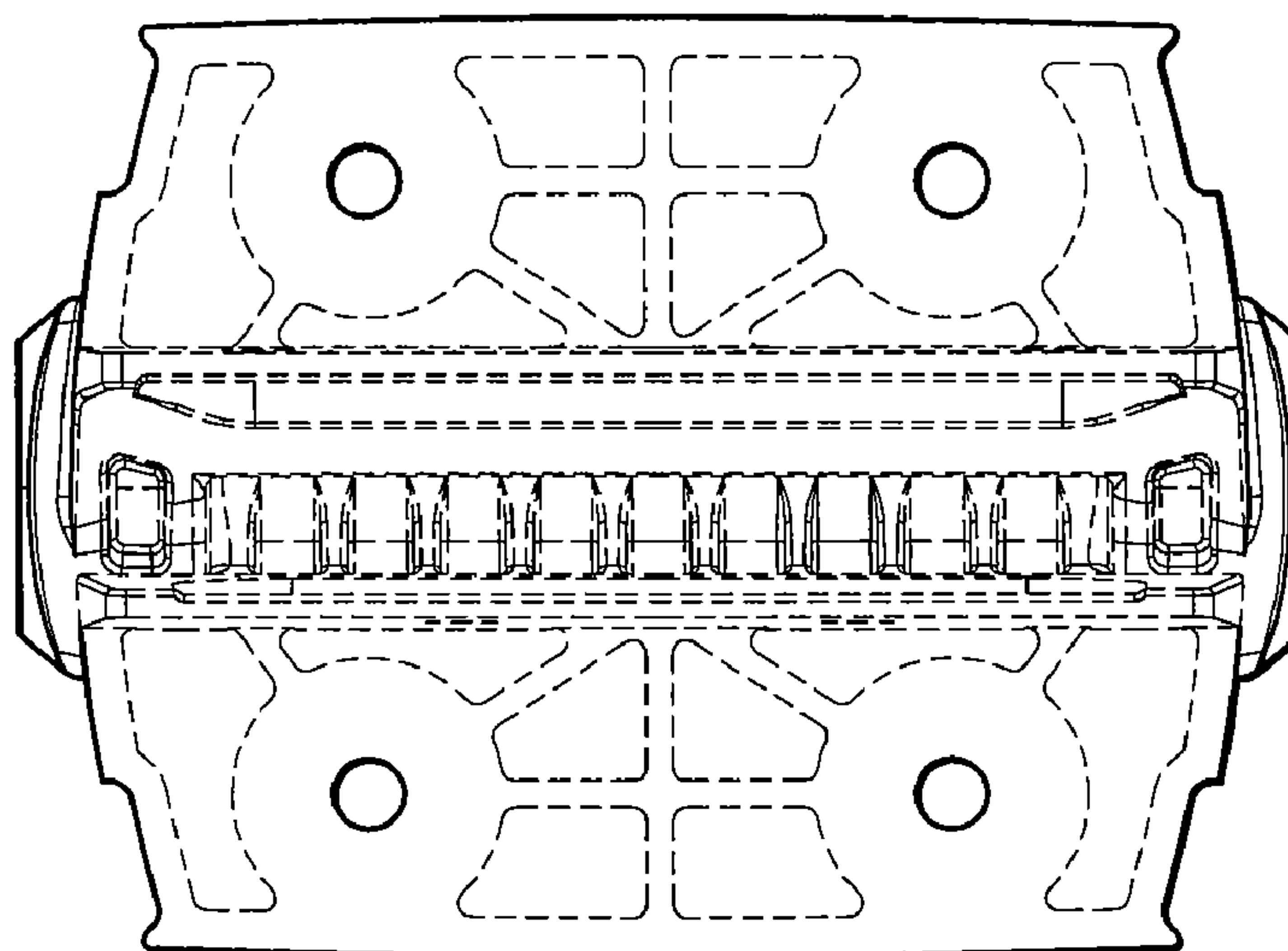


FIG. 14

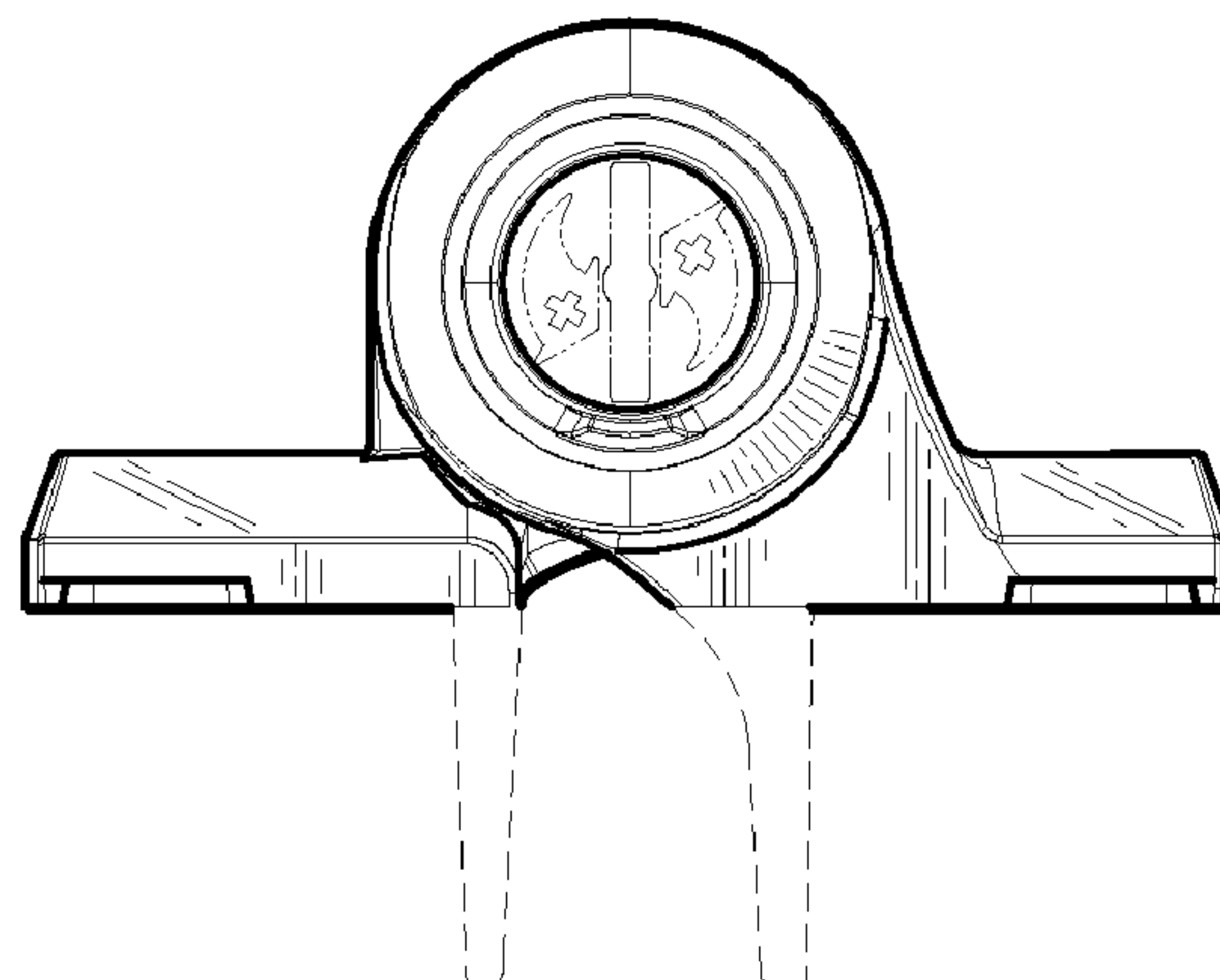


FIG. 15

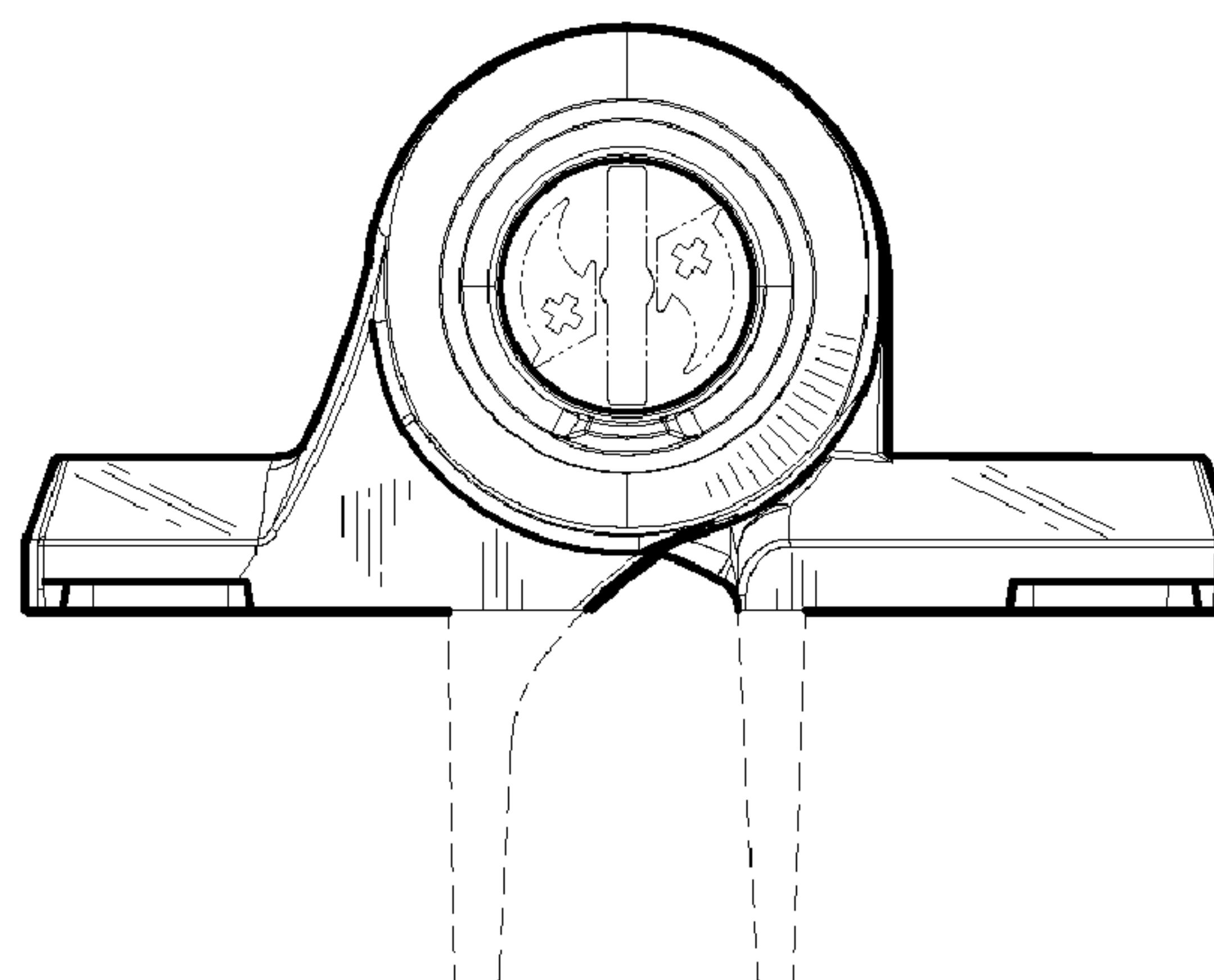


FIG. 16