



US00D649004S

(12) **United States Design Patent**  
**Ferreira Sánchez**

(10) **Patent No.:** **US D649,004 S**

(45) **Date of Patent:** **\*\* Nov. 22, 2011**

(54) **DOORKNOB FOR A DOOR HANDLE**

(75) Inventor: **Carlos Ferreira Sánchez**, Hondarribia (ES)

(73) Assignee: **Salto Systems, S.L.**, Oiartzun (Guipuzcoa) (ES)

(\*\*) Term: **14 Years**

(21) Appl. No.: **29/367,716**

(22) Filed: **Aug. 12, 2010**

(30) **Foreign Application Priority Data**

Feb. 17, 2010 (EM) ..... 001670977-0001

(51) **LOC (9) Cl.** ..... **08-06**

(52) **U.S. Cl.** ..... **D8/310**

(58) **Field of Classification Search** ..... D8/310,  
D8/300, 301, 302, 303, 305, 307, 312, 317,  
D8/318, 319, 320, 321, 322, 346; D6/491,  
D6/550; D7/393, 396; D11/95; D21/385,  
D21/386; 16/110.1, 412, 414, 415, 417,  
16/433, 441, 442; 292/347, 348, 349, 350,  
292/355, 356, 357

See application file for complete search history.

(56) **References Cited**

**U.S. PATENT DOCUMENTS**

2,458,002 A \* 1/1949 Kaskouras ..... 70/211  
D267,254 S \* 12/1982 Jolliffe ..... D18/12

D391,469 S \* 3/1998 Foushee ..... D8/346  
D418,390 S \* 1/2000 Marquis ..... D8/322  
D435,210 S \* 12/2000 Hussaini ..... D8/310  
D525,517 S \* 7/2006 Baldwin ..... D8/310  
D527,611 S \* 9/2006 Sato ..... D8/310  
D571,310 S \* 6/2008 Collins ..... D13/171

\* cited by examiner

*Primary Examiner* — Stella Reid

*Assistant Examiner* — Derrick Holland

(74) *Attorney, Agent, or Firm* — Wenderoth, Lind & Ponack, L.L.P.

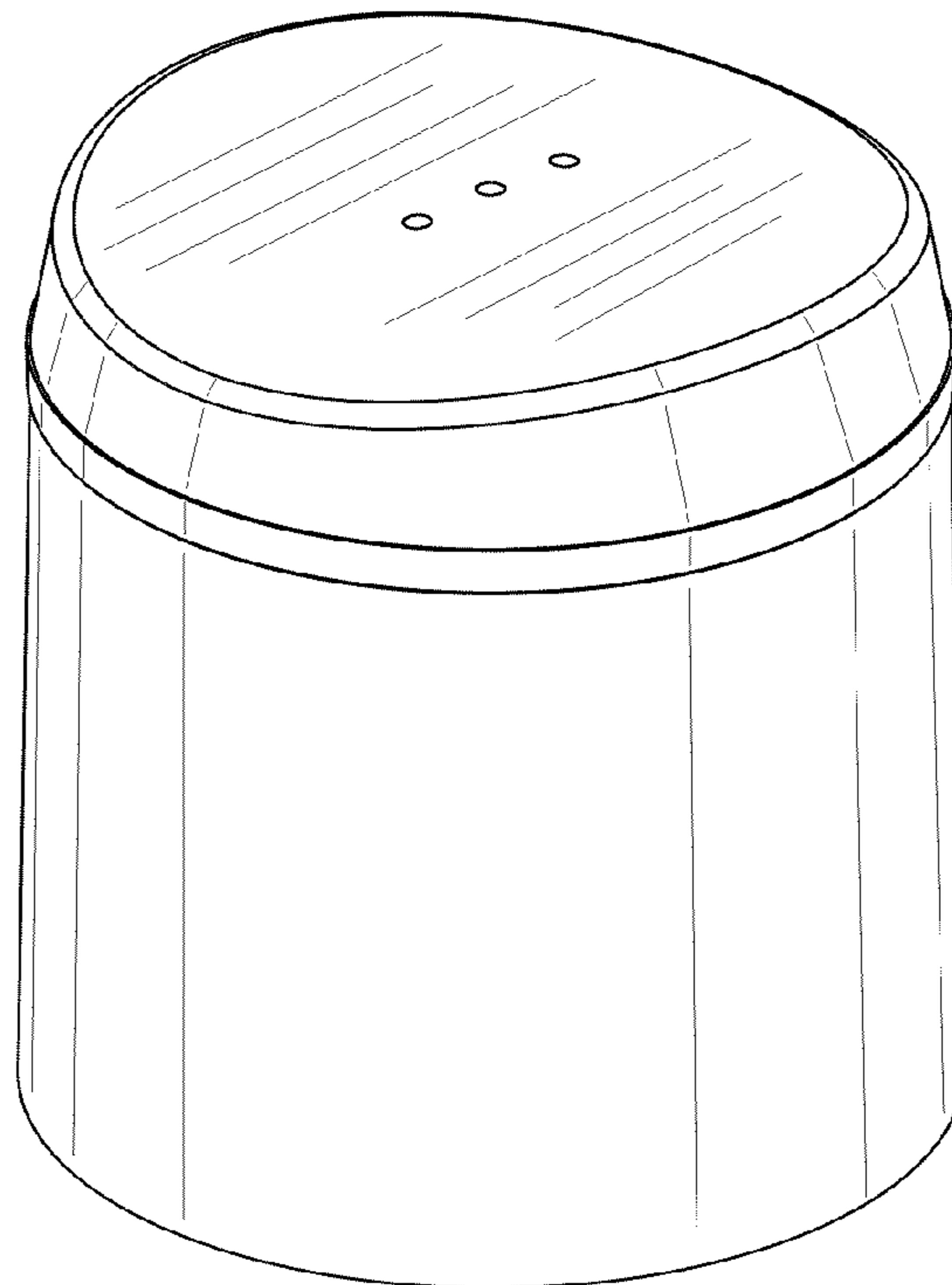
(57) **CLAIM**

The ornamental design for a doorknob for a door handle, as shown.

**DESCRIPTION**

FIG. 1 is a top and front perspective view of a doorknob for a door handle showing my new design;  
FIG. 2 is a front elevational view thereof;  
FIG. 3 is a top plan view thereof;  
FIG. 4 is a rear elevational view thereof;  
FIG. 5 is a left side elevational view thereof;  
FIG. 6 is a bottom plan view thereof;  
FIG. 7 is a right side elevational view thereof;  
FIG. 8 is a bottom perspective view thereof;  
FIG. 9 is a second bottom perspective view thereof; and,  
FIG. 10 is a third bottom perspective view thereof.

**1 Claim, 10 Drawing Sheets**



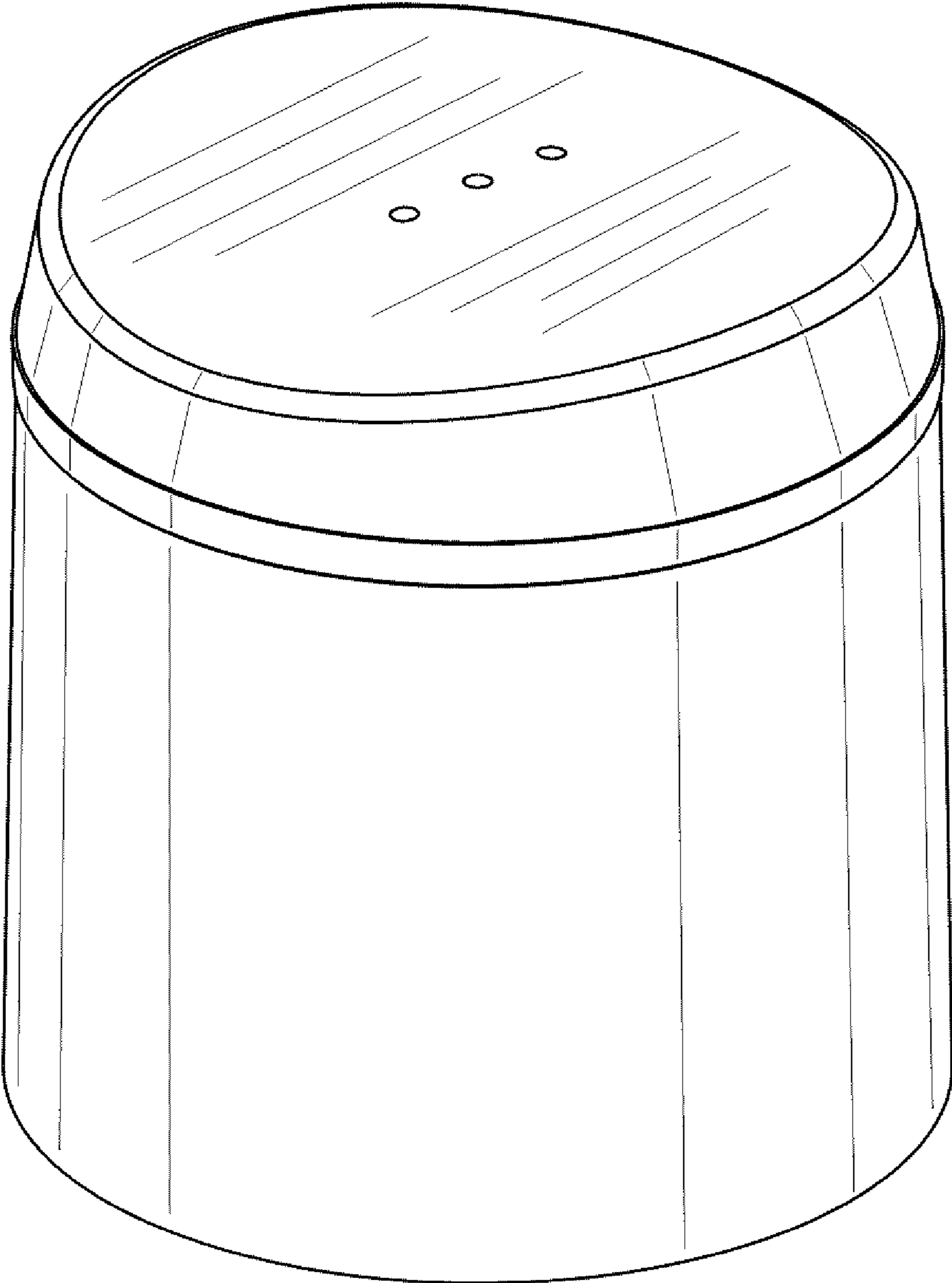


FIG. 1

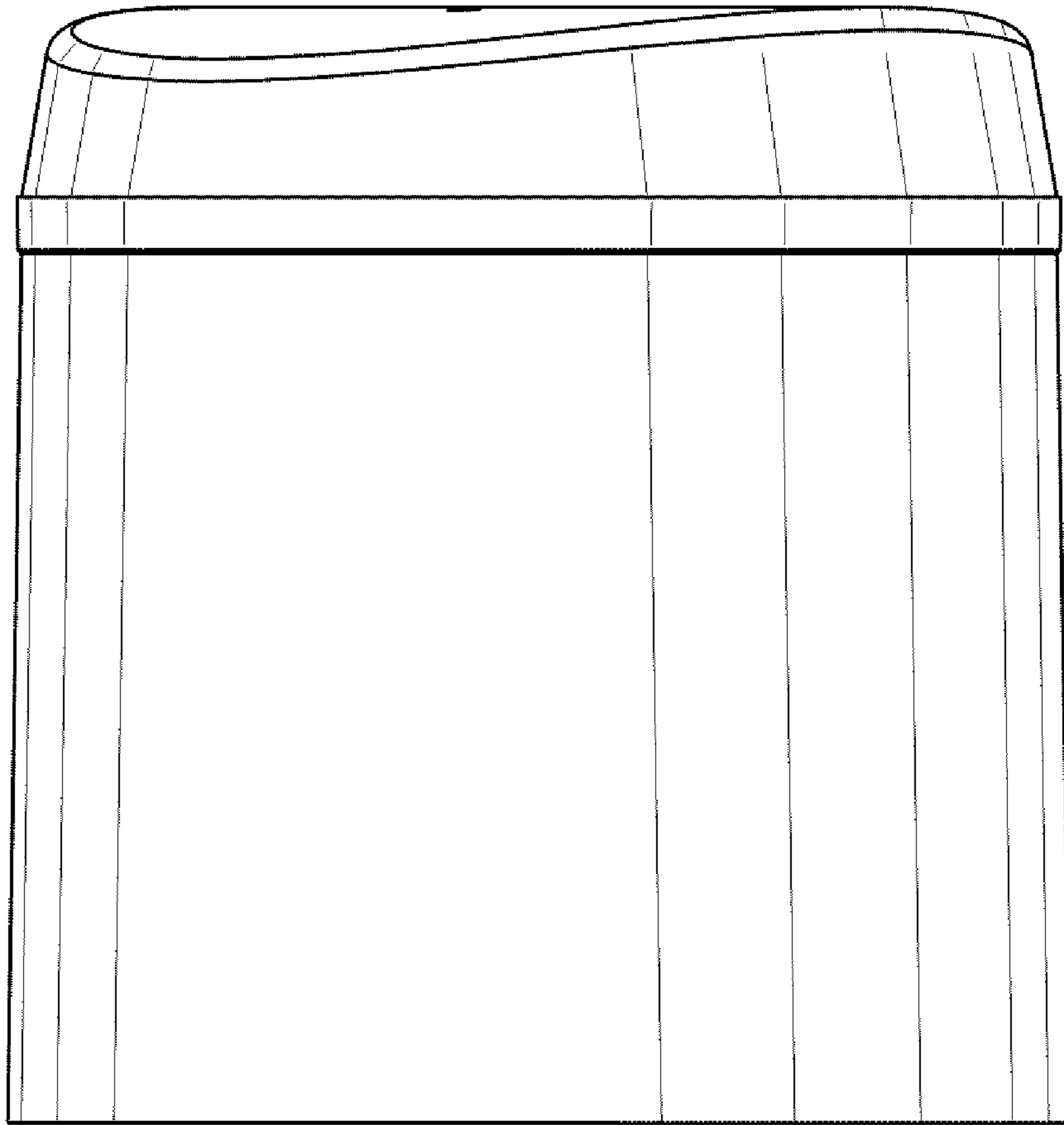


FIG. 2

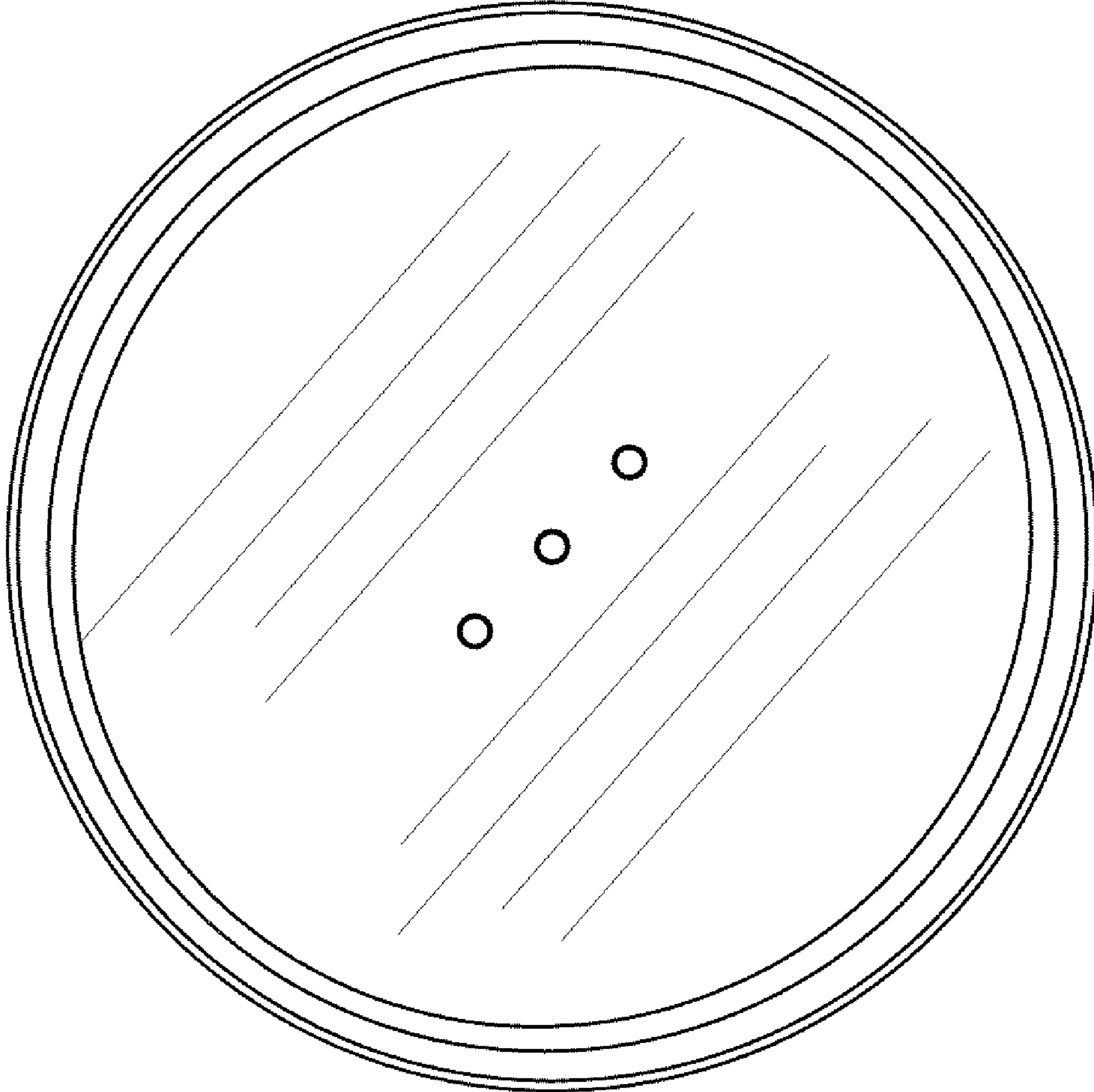


FIG. 3

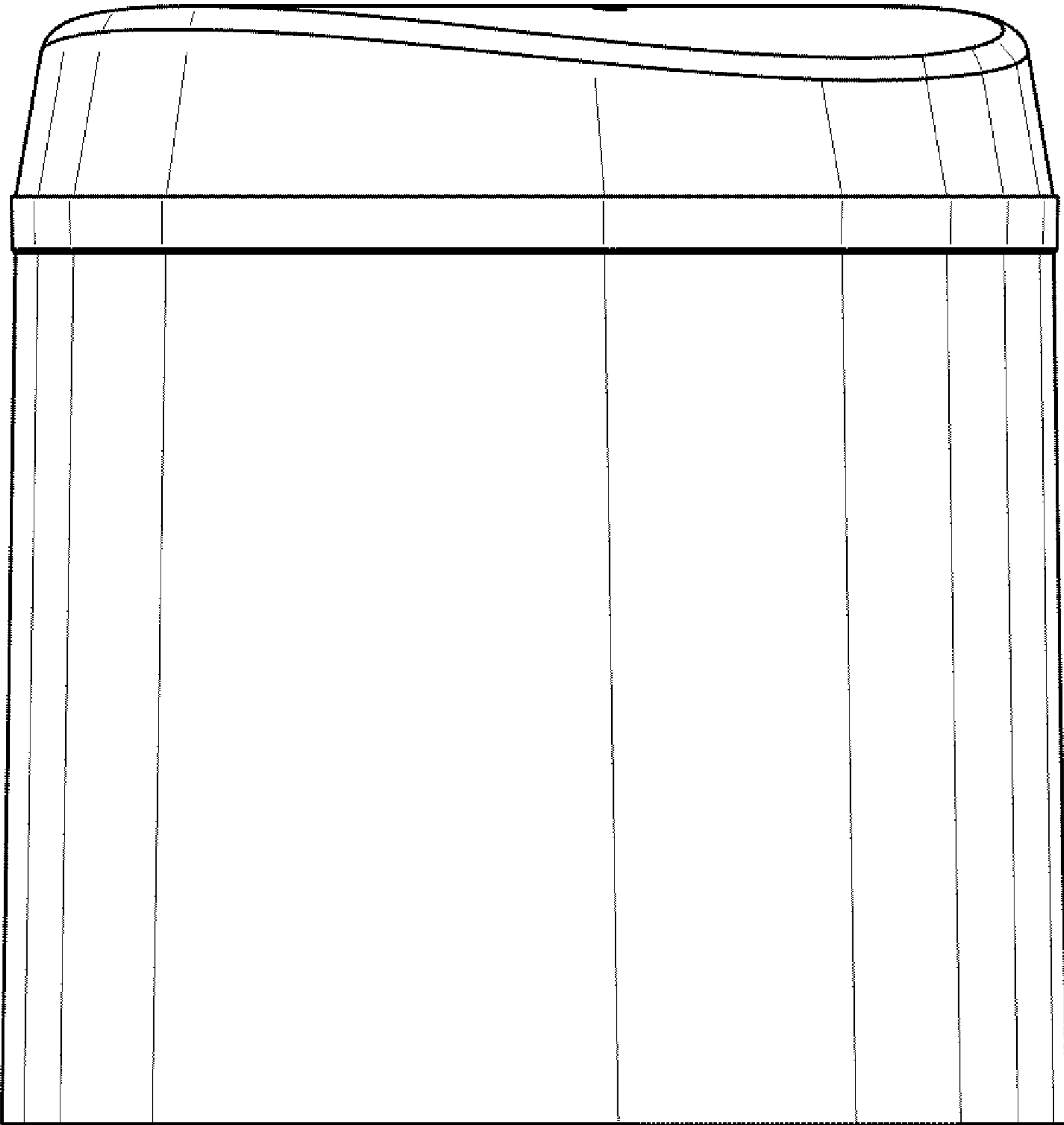


FIG. 4

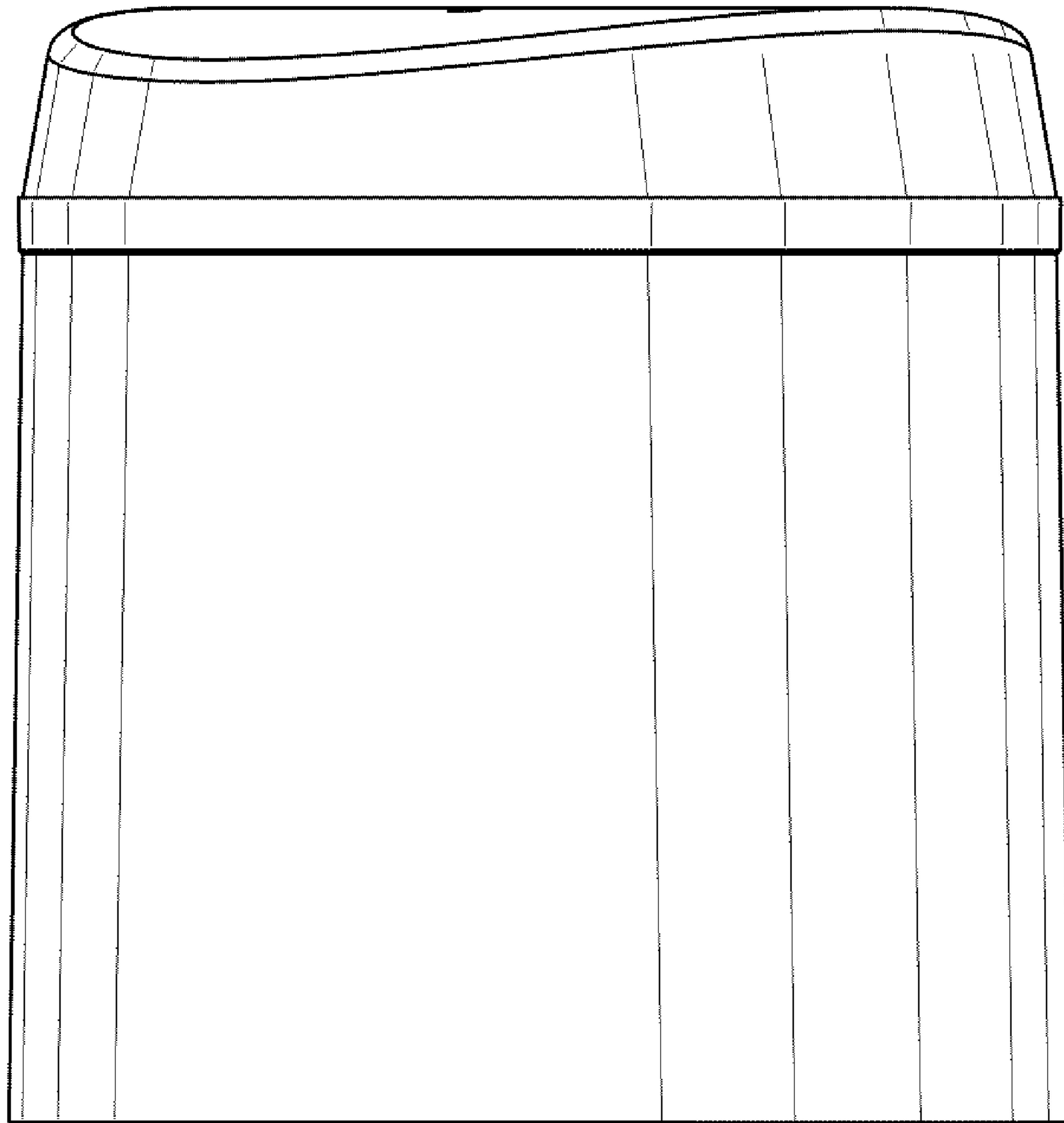


FIG. 5

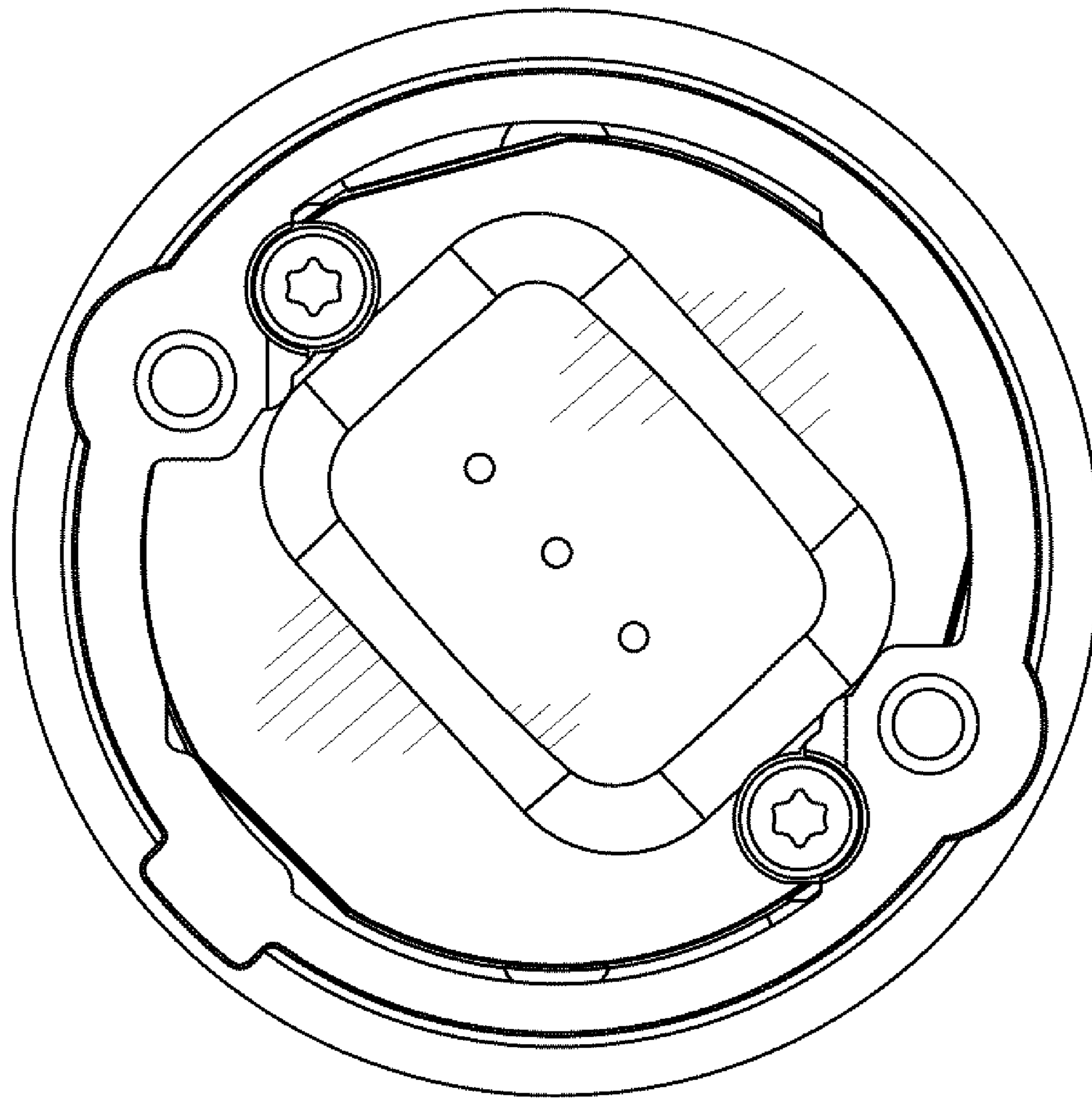


FIG. 6

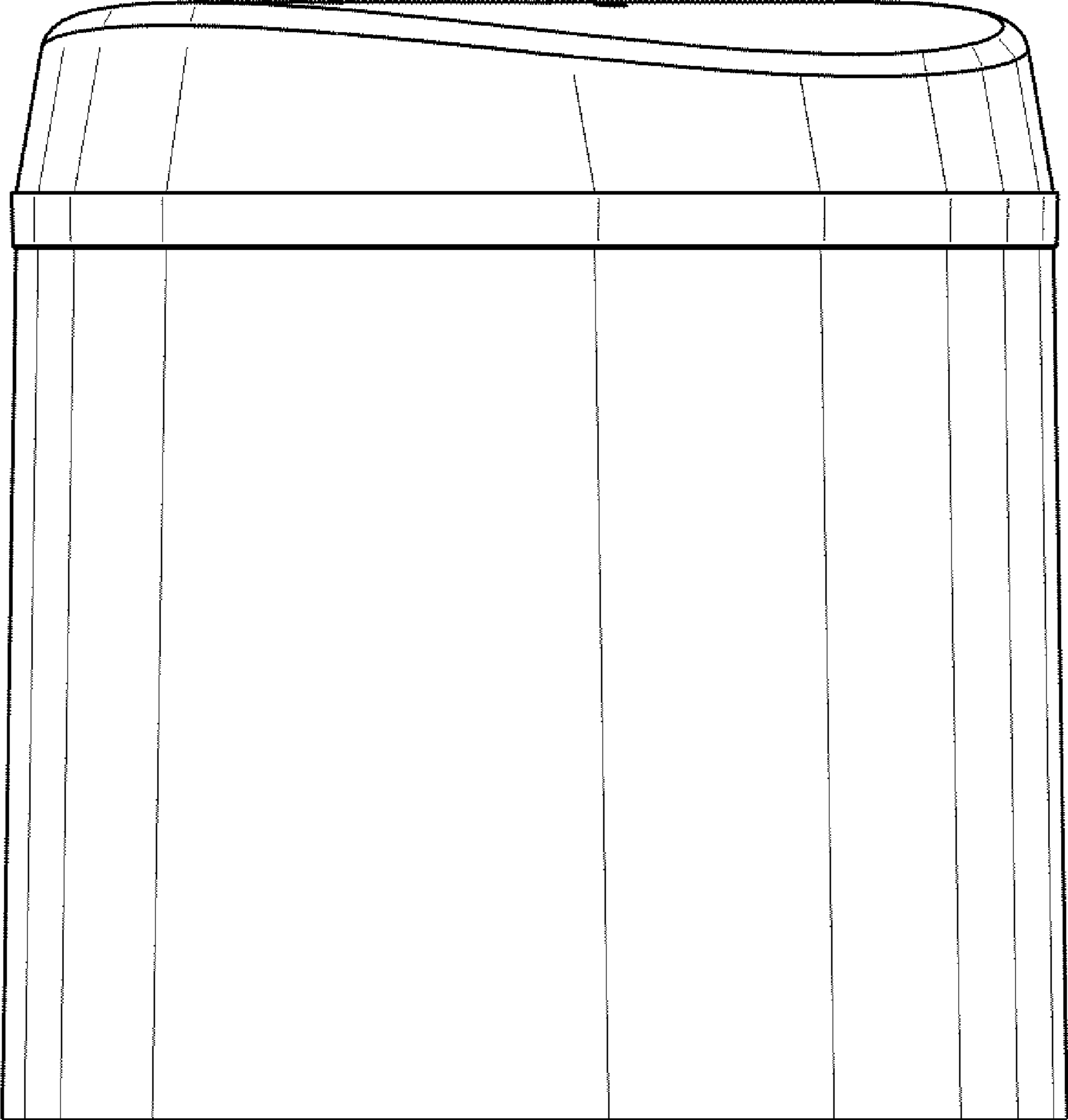


FIG. 7



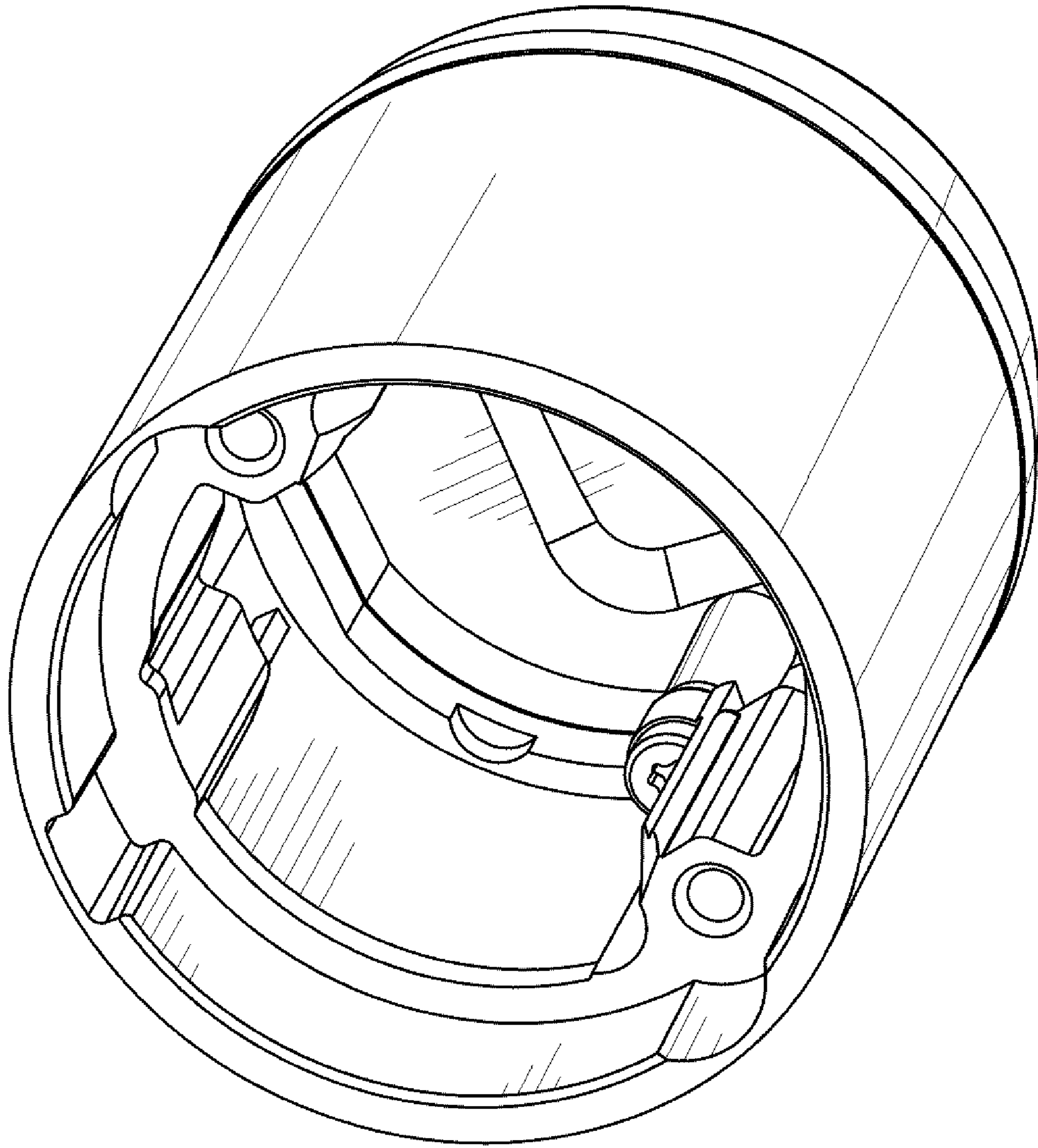


FIG. 8

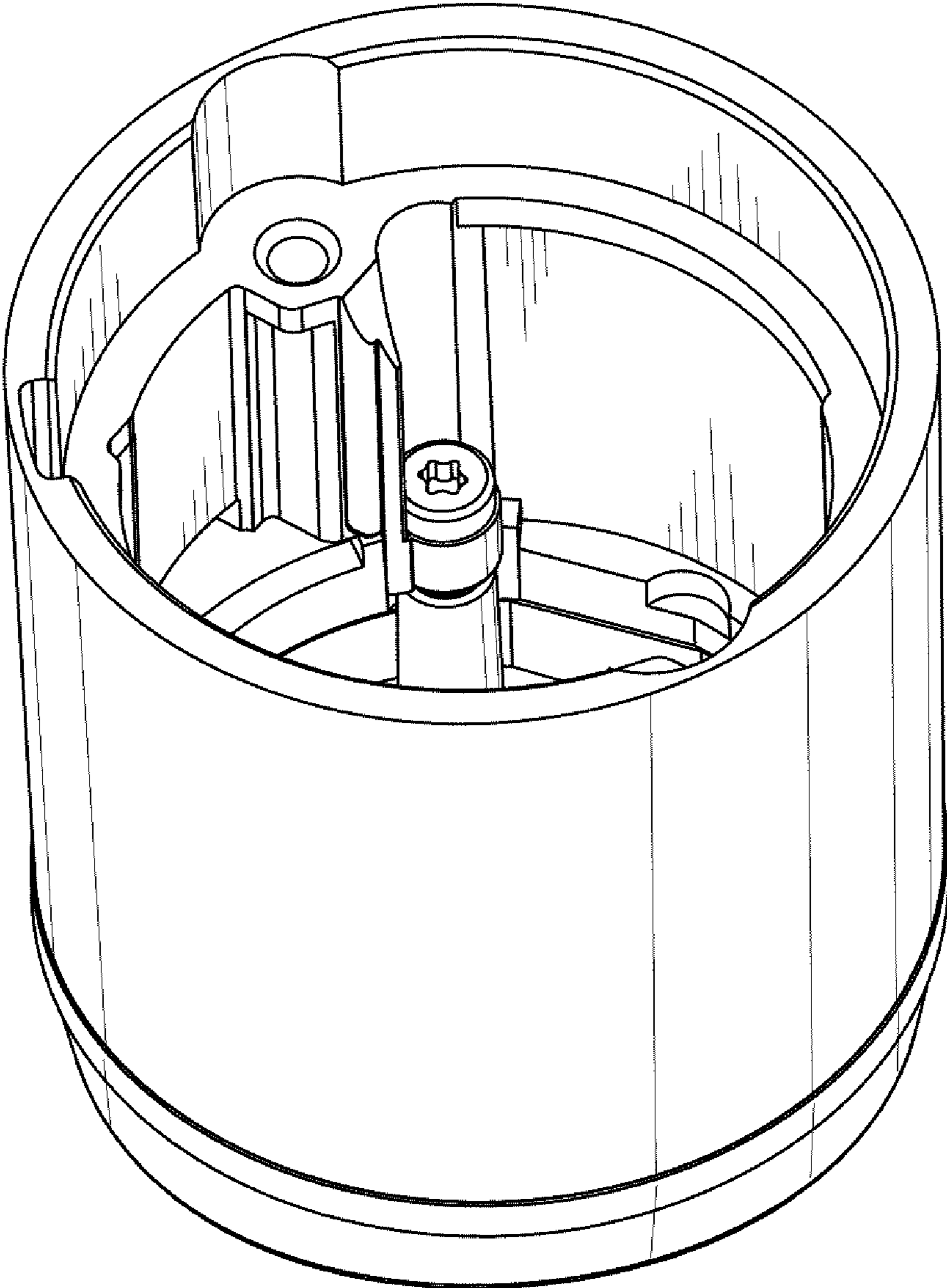


FIG. 9

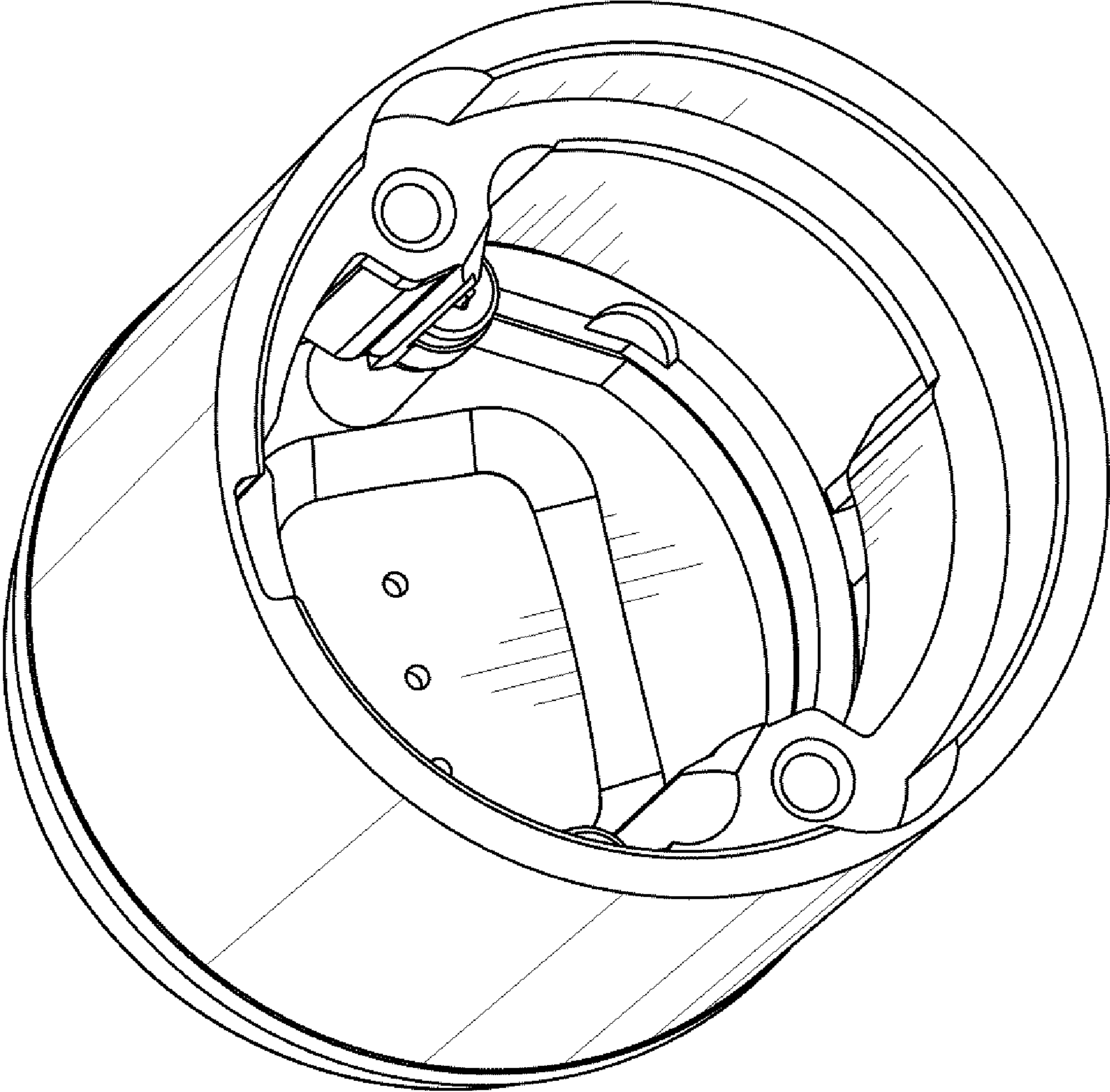


FIG. 10