



US00D649001S

(12) **United States Design Patent**
Still

(10) **Patent No.:** **US D649,001 S**

(45) **Date of Patent:** **** Nov. 22, 2011**

(54) **KNIFE**

(75) Inventor: **David Lee Still**, Bedford, NH (US)

(73) Assignee: **Diamond Resource, LLC**, Goffstown, NH (US)

(**) Term: **14 Years**

(21) Appl. No.: **29/392,799**

(22) Filed: **May 26, 2011**

(51) **LOC (9) Cl.** **08-05**

(52) **U.S. Cl.** **D8/105**; D8/98

(58) **Field of Classification Search** D8/81,
D8/40, 23, 18, 17, 105, 99; D3/210; 81/488,
81/125.1; 7/147, 145, 144, 118; 30/299;
294/19.1; 239/600

See application file for complete search history.

(56) **References Cited**

U.S. PATENT DOCUMENTS

D118,329 S	*	12/1939	Crowley	D3/210
D185,921 S	*	8/1959	Draper	D32/42
D302,514 S	*	8/1989	Gates	D8/105
D356,020 S	*	3/1995	Costa	D8/105
D374,389 S	*	10/1996	Lin	D8/105
D403,227 S	*	12/1998	Tseng	D8/105
D433,303 S	*	11/2000	Park	D8/99
D472,444 S	*	4/2003	Gesheit	D8/81
D474,956 S	*	5/2003	Pierotti	D8/105

D477,523 S	*	7/2003	Malvasio	D8/105
D515,903 S	*	2/2006	Kelleghan	D8/105
D540,138 S	*	4/2007	Kan	D8/99
D590,689 S	*	4/2009	Coe et al.	D8/105
D596,011 S	*	7/2009	Almayda	D8/105
D598,728 S	*	8/2009	Polei	D8/99
D633,771 S	*	3/2011	Chang	D8/98
D634,173 S	*	3/2011	Kenny	D8/98
D636,248 S	*	4/2011	Still	D8/98

* cited by examiner

Primary Examiner — Austin Murphy

(74) *Attorney, Agent, or Firm* — Bourque and Associates, PA

(57) **CLAIM**

The ornamental design for an knife, as shown and described.

DESCRIPTION

FIG. 1 is a front perspective view of the knife according to the present invention;

FIG. 2 is a top view of the knife of the present invention;

FIG. 3 is a bottom view of the knife of the present invention;

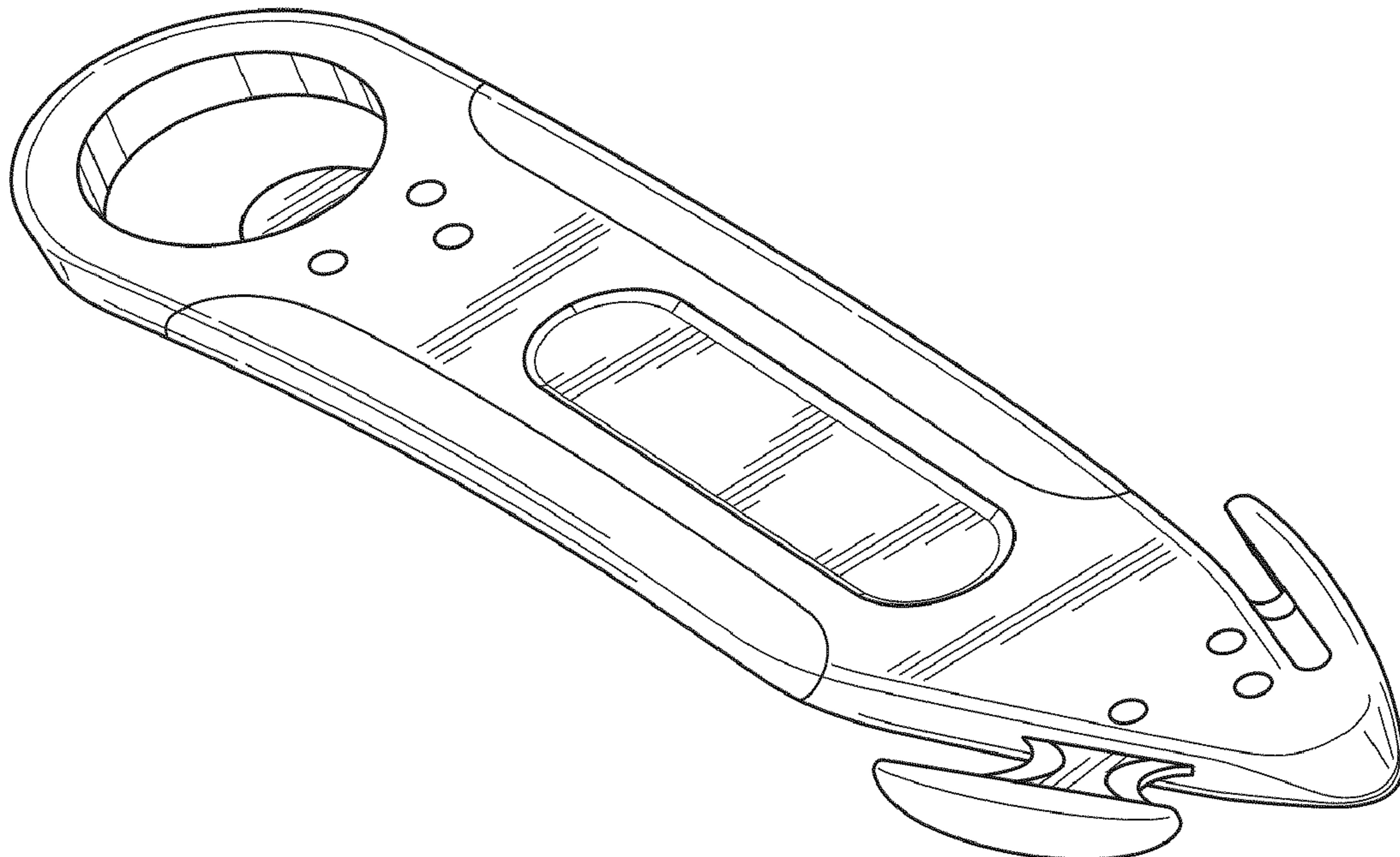
FIG. 4 is a right end view of the knife of the present invention as shown in FIG. 2;

FIG. 5 is a left end view of the knife of the present invention as shown in FIG. 2;

FIG. 6 is a back view of the knife of the present invention as shown in FIG. 2; and,

FIG. 7 is a front view of the knife of the present invention as shown in FIG. 2.

1 Claim, 5 Drawing Sheets



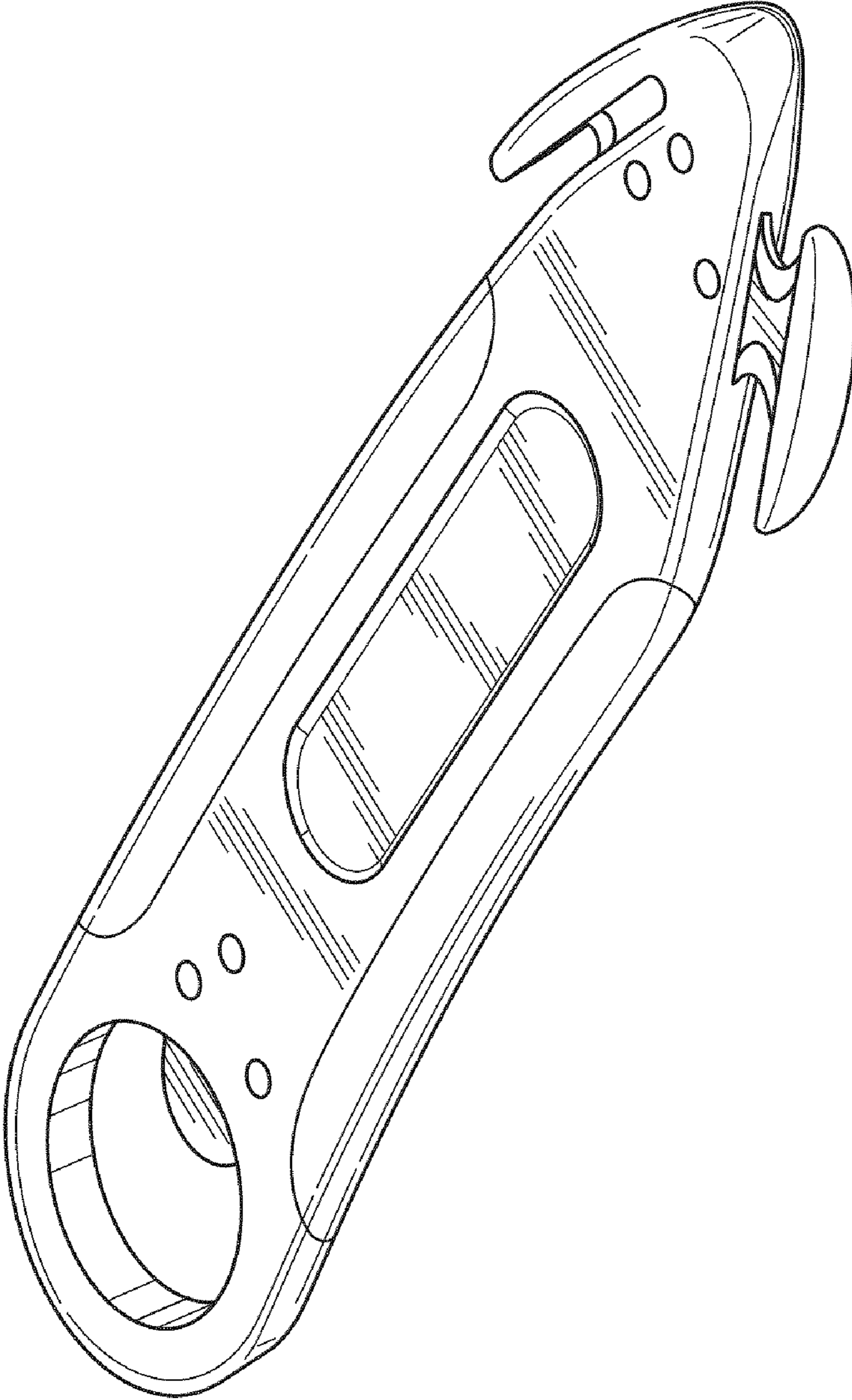


FIG. 1

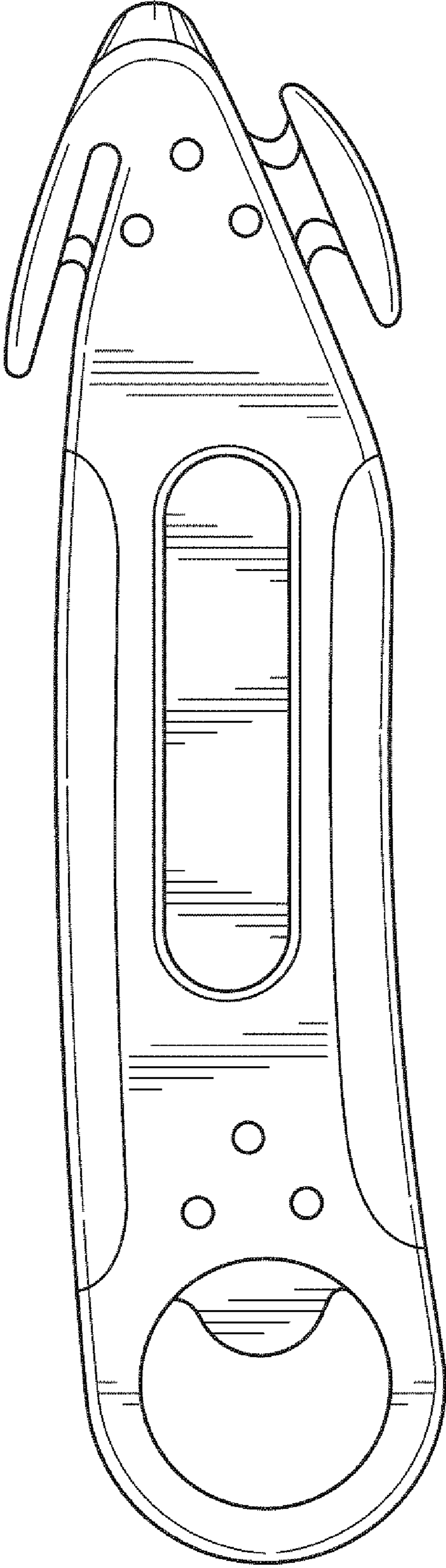


FIG. 2

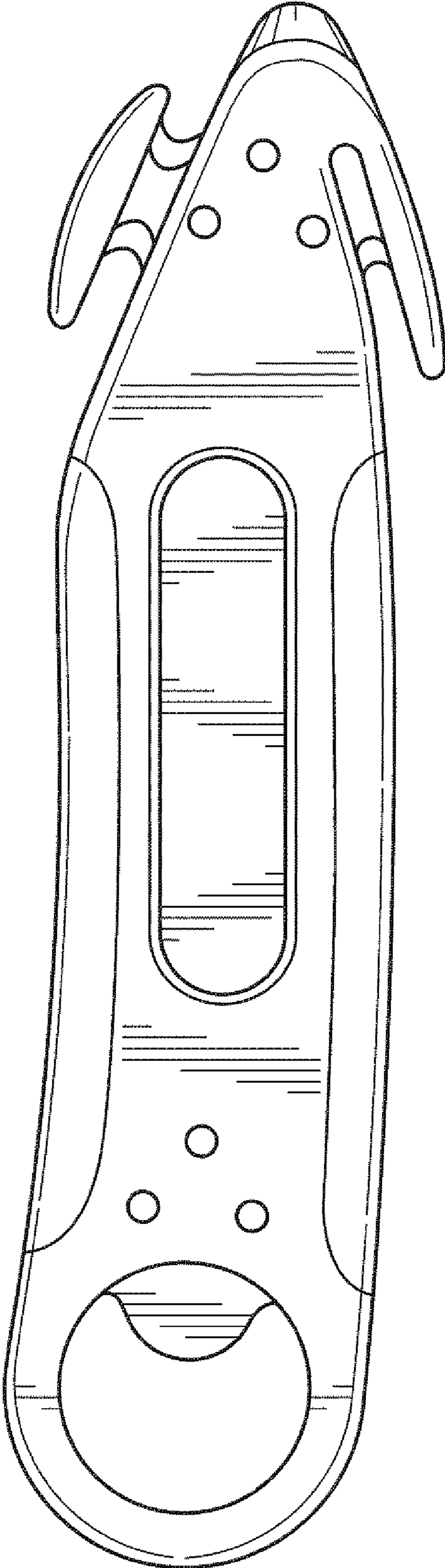


FIG. 3

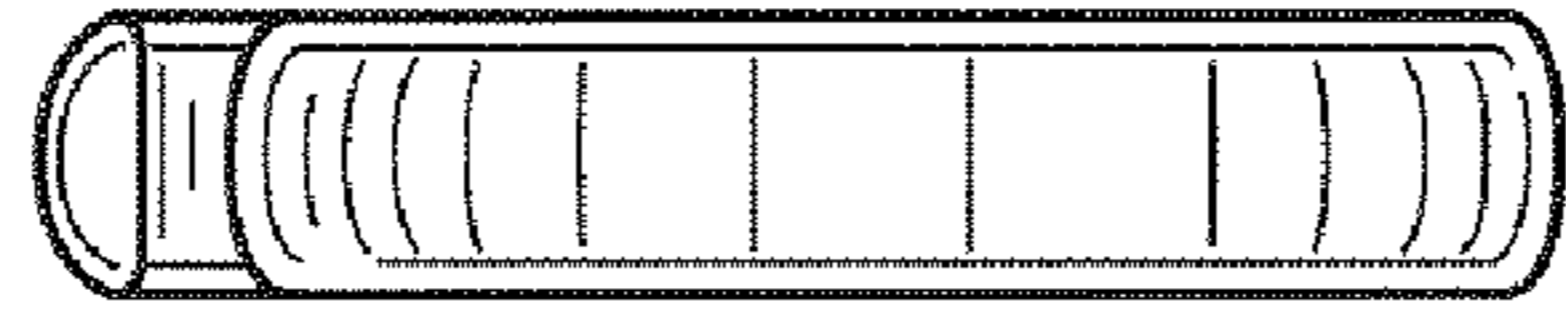


FIG. 5

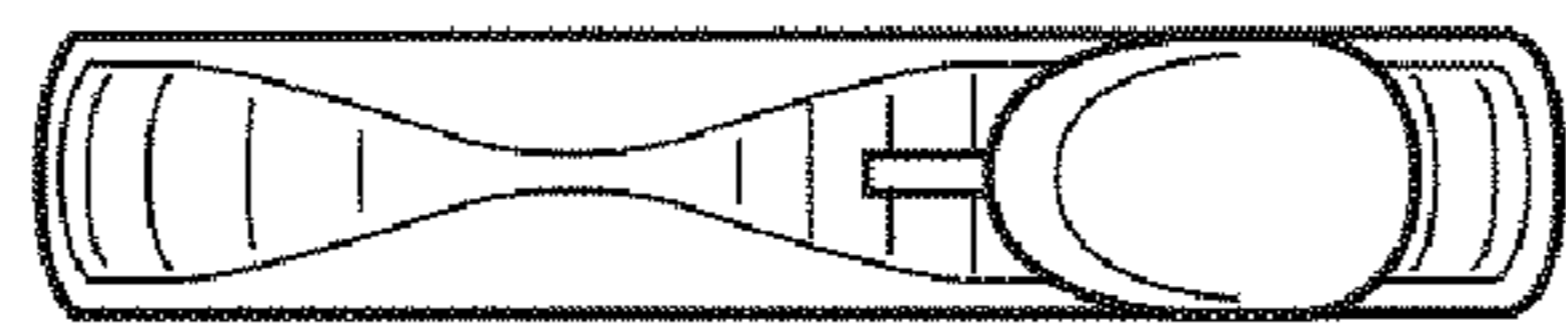


FIG. 4

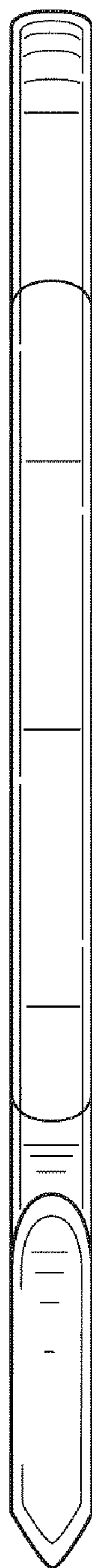


FIG. 6



FIG. 7