



US00D648999S

(12) **United States Design Patent**
Moreno et al.

(10) **Patent No.:** **US D648,999 S**

(45) **Date of Patent:** **** Nov. 22, 2011**

(54) **SAW**

(75) Inventors: **Jaime Moreno**, Arlington Heights, IL (US); **John Holba**, Naperville, IL (US); **Ron Llanes**, Lisle, IL (US); **Kristian Buschmann**, Chicago, IL (US); **Leroy McCray**, Chicago, IL (US)

(73) Assignee: **Robert Bosch GmbH**, Stuttgart (DE)

(**) Term: **14 Years**

(21) Appl. No.: **29/391,584**

(22) Filed: **May 11, 2011**

(51) **LOC (9) Cl.** **08-03**

(52) **U.S. Cl.** **D8/66**

(58) **Field of Classification Search** D8/69,
D8/68, 67, 66, 64, 61, 70; 83/698.41, 747,
83/166.3, 374, 373, 375, 376, 391, 377, 390,
83/388, 389; 125/13.01; 144/218; D21/532
See application file for complete search history.

(56) **References Cited**

U.S. PATENT DOCUMENTS

D177,063	S	*	3/1956	Nesbitt	D8/61
D266,222	S	*	9/1982	Buscher	D8/61
4,976,034	A	*	12/1990	Whitman	30/370
5,466,183	A	*	11/1995	Kirn et al.	451/359
D375,439	S	*	11/1996	Niwa et al.	D8/66

D401,827	S	*	12/1998	Lui	D8/66
D433,907	S	*	11/2000	Fuchs et al.	D8/64
D492,560	S	*	7/2004	Refson	D8/61
D564,850	S	*	3/2008	Bakker	D8/61
D577,556	S	*	9/2008	O'Hern	D8/64
D586,636	S	*	2/2009	Aglassinger	D8/66
D634,999	S	*	3/2011	Yamamoto et al.	D8/66

* cited by examiner

Primary Examiner — Austin Murphy

(74) *Attorney, Agent, or Firm* — Maginot, Moore & Beck

(57) **CLAIM**

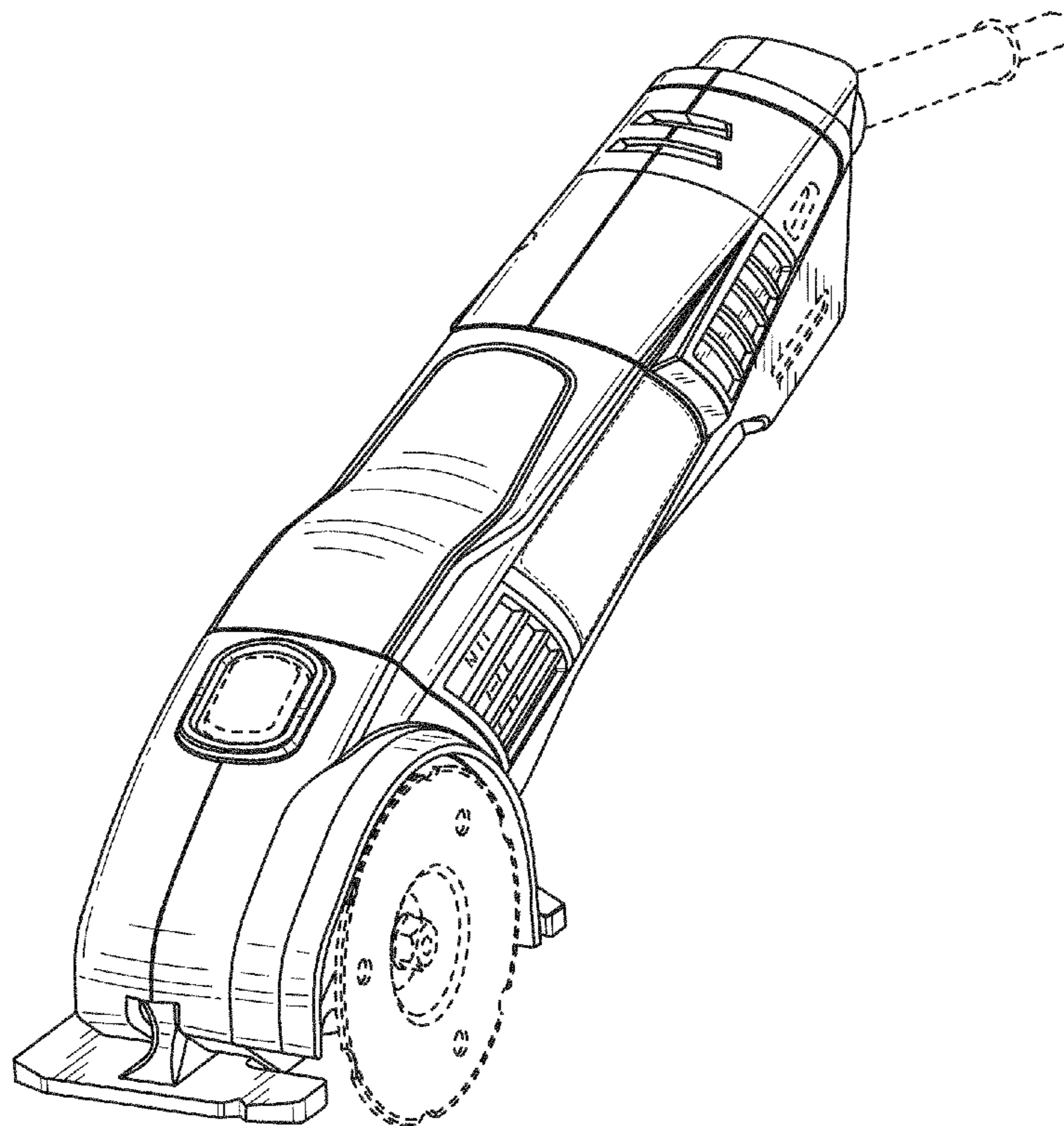
The ornamental design for a saw, as shown and described.

DESCRIPTION

FIG. 1 is a perspective view of a saw showing our new design; FIG. 2 is a right side elevational view showing the design for the saw of FIG. 1; FIG. 3 is a left side elevational view showing the design for the saw of FIG. 1; FIG. 4 is a top elevational view showing the design for the saw of FIG. 1; FIG. 5 is a bottom elevational view showing the design for the saw of FIG. 1; FIG. 6 is a front elevational view showing the design for the saw of FIG. 1; and, FIG. 7 is a rear elevational view showing the design for the saw of FIG. 1.

The broken line showing of portions of the saw in the figures is included for illustrative purposes only and forms no part of the claimed design.

1 Claim, 6 Drawing Sheets



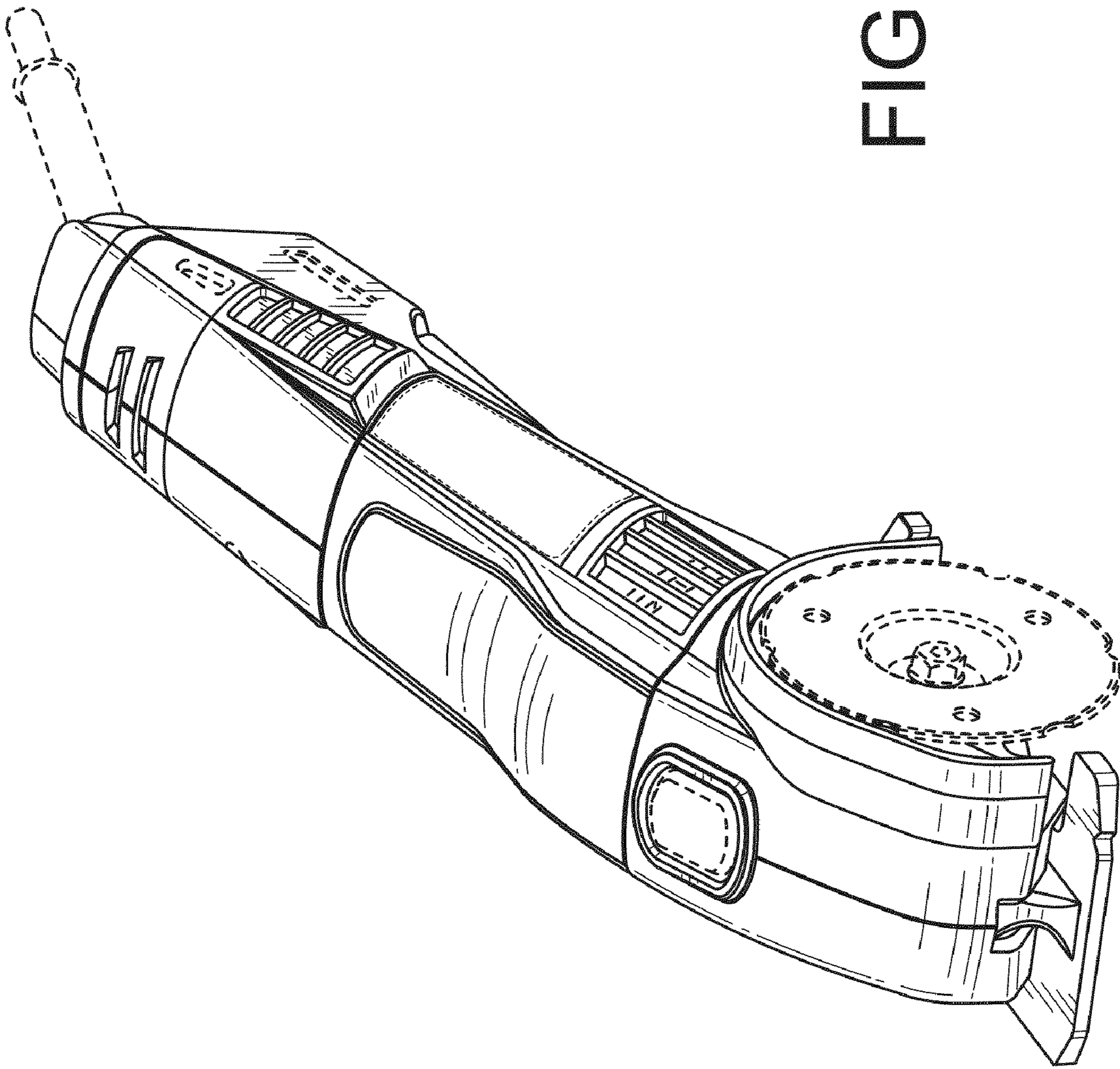


FIG. 1

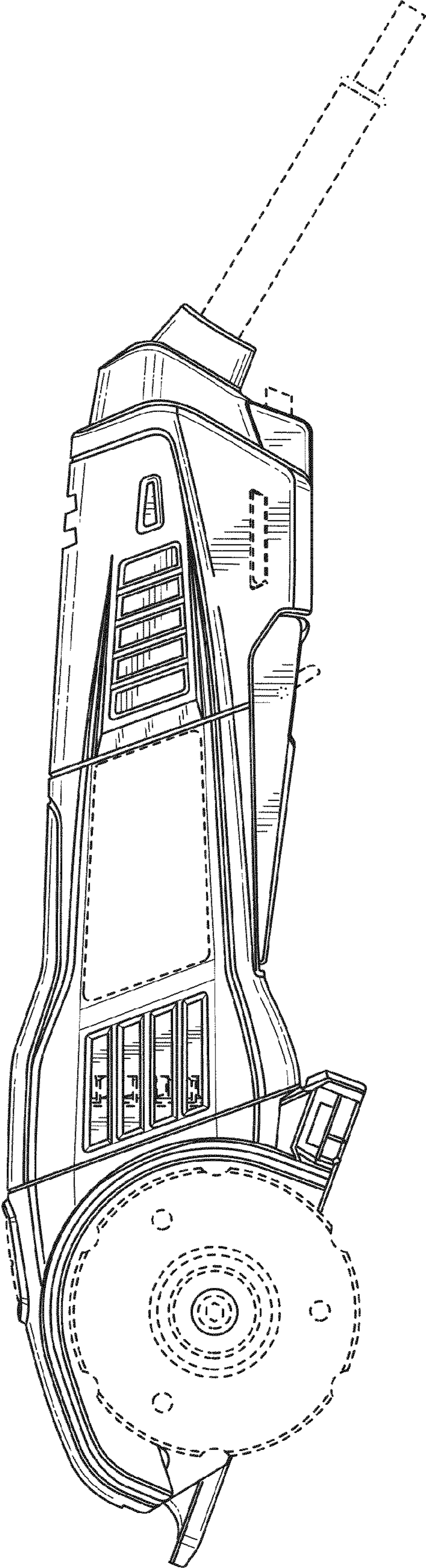


FIG. 2

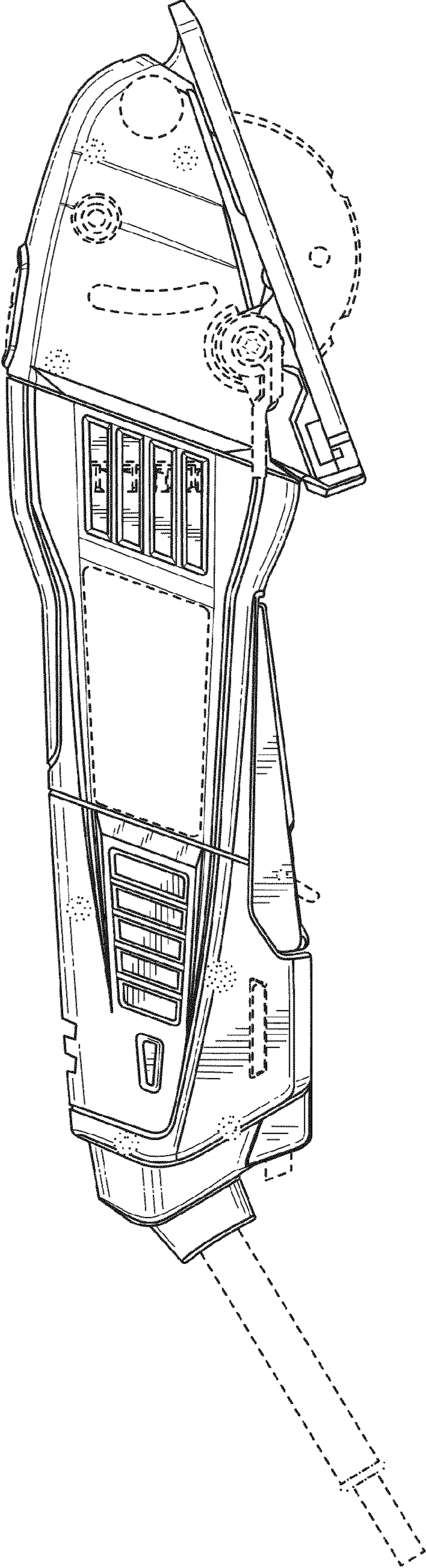


FIG. 3

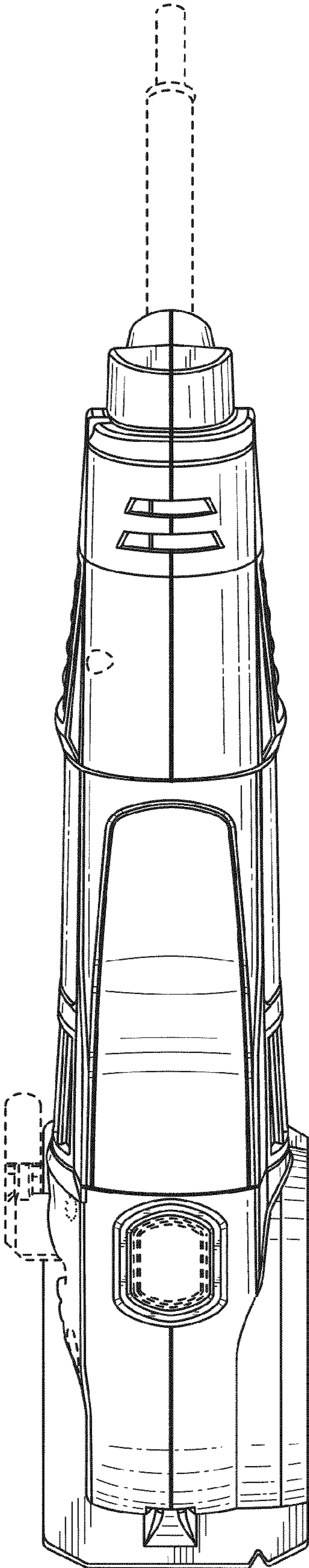


FIG. 4

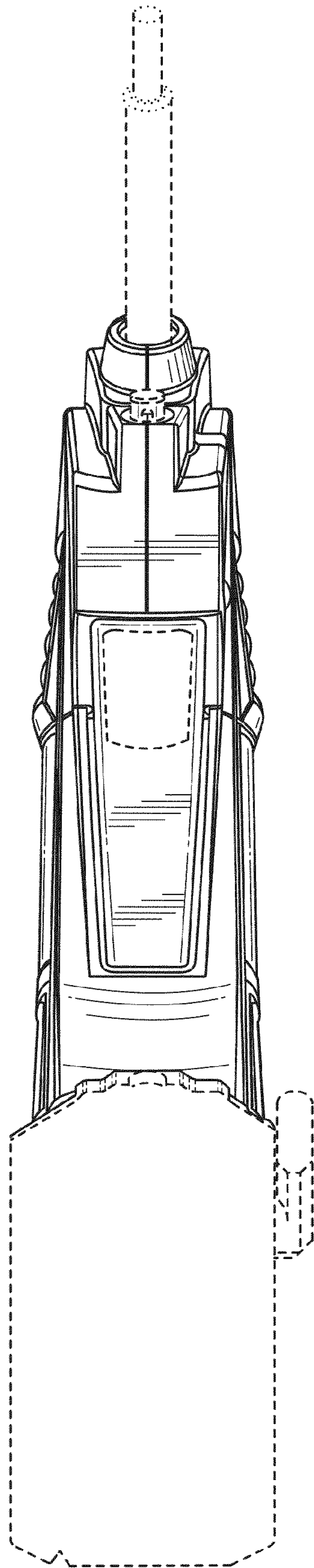


FIG. 5

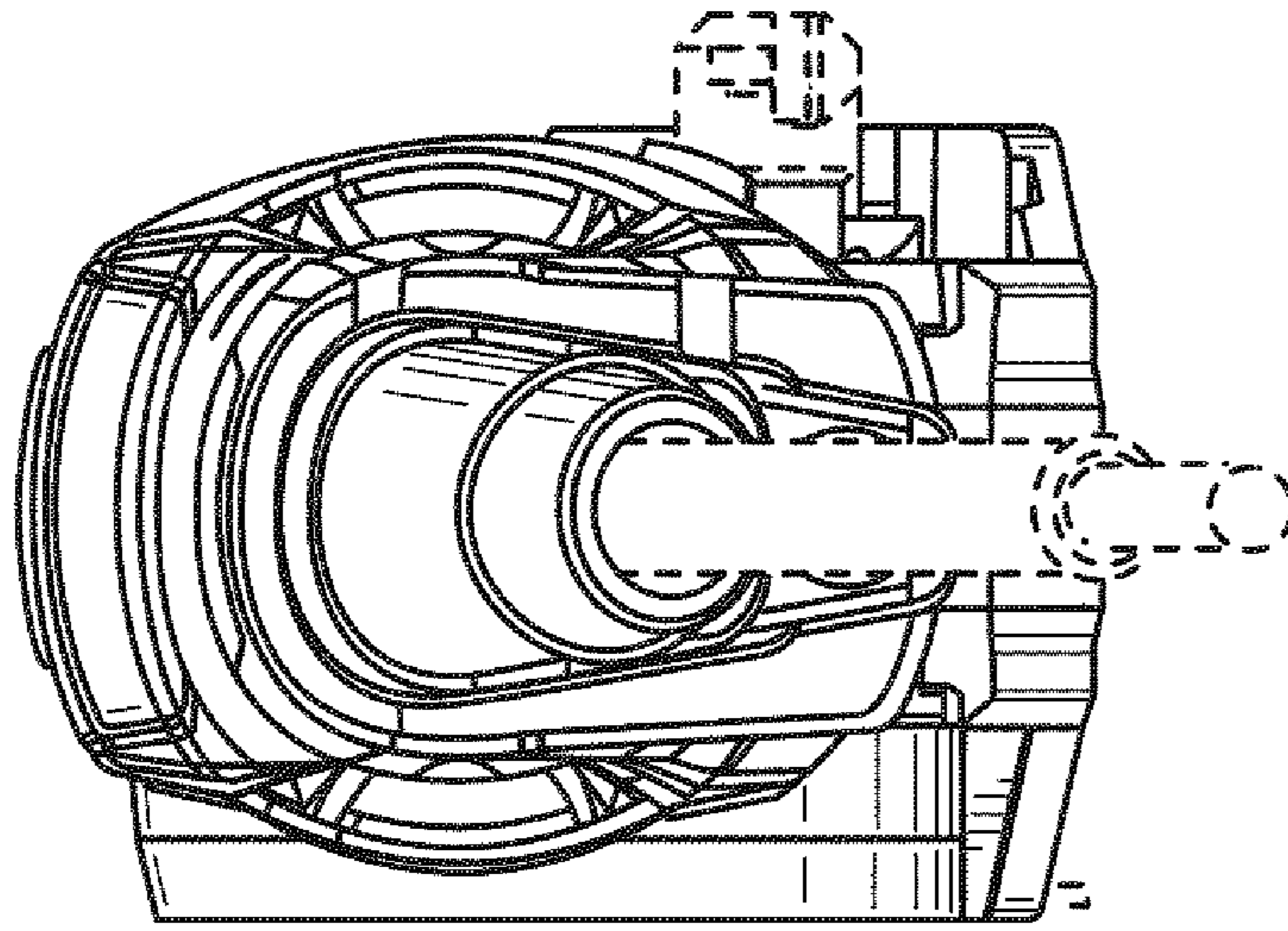


FIG. 6

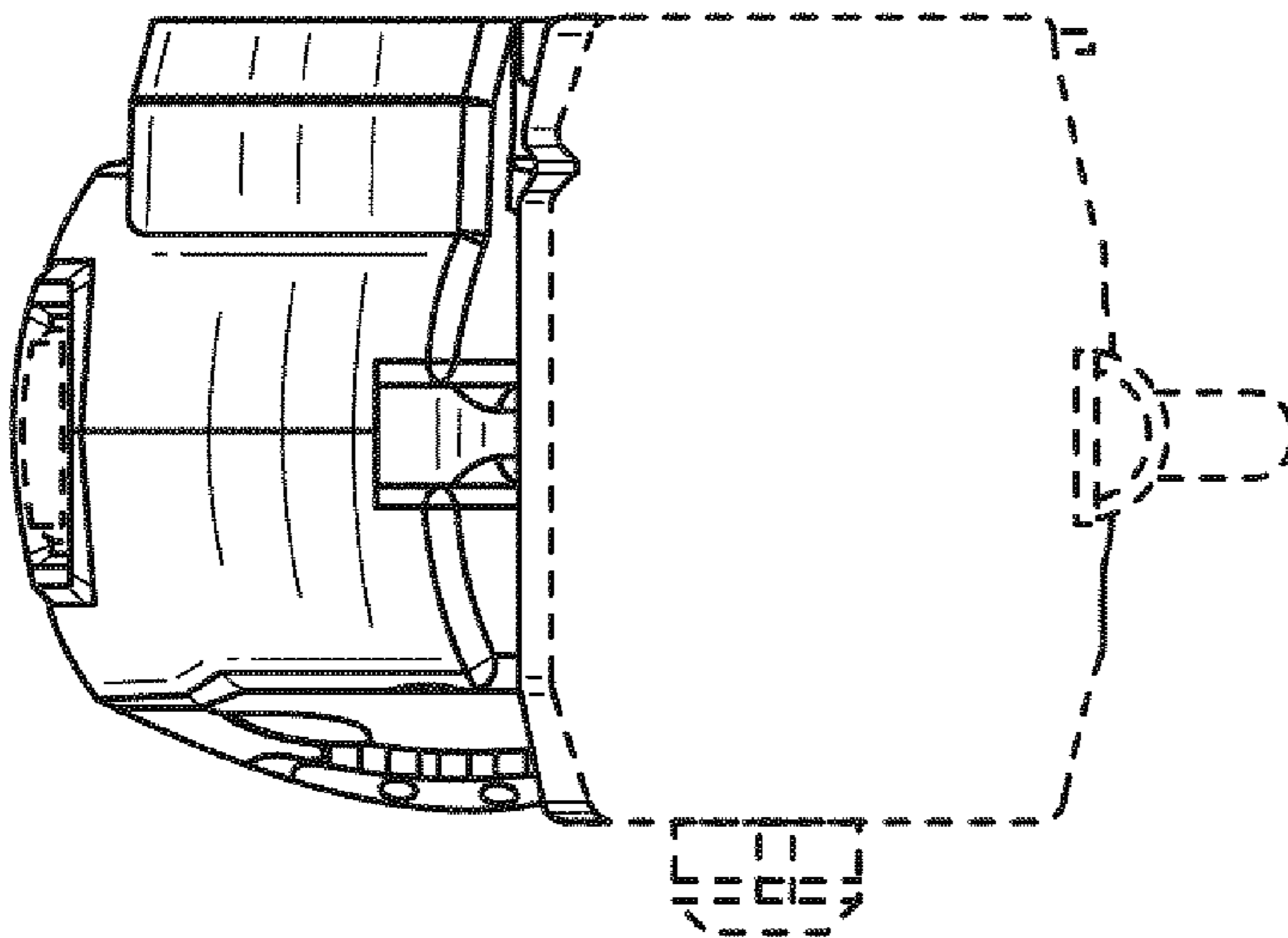


FIG. 7