



US00D648998S

(12) **United States Design Patent**
Sell

(10) **Patent No.:** **US D648,998 S**

(45) **Date of Patent:** **** Nov. 22, 2011**

(54) **POWER CUTTER**

(75) **Inventor:** **Stefan Sell**, Mainz (DE)

(73) **Assignee:** **Black & Decker Inc.**, Newark, DE (US)

(**) **Term:** **14 Years**

(21) **Appl. No.:** **29/348,311**

(22) **Filed:** **Dec. 21, 2009**

(51) **LOC (9) Cl.** **08-03**

(52) **U.S. Cl.** **D8/66**

(58) **Field of Classification Search** D8/69,
D8/68, 67, 66, 64, 61, 70; 83/698.41, 747,
83/166.3, 374, 373, 375, 376, 391, 377, 390,
83/388, 389; 30/122, 124, 329; 144/218;
D21/532

See application file for complete search history.

(56) **References Cited**

U.S. PATENT DOCUMENTS

5,826,478	A *	10/1998	Zerrer	83/169
5,855,067	A *	1/1999	Taomo et al.	30/122
6,546,631	B2 *	4/2003	Iida et al.	30/124
D530,175	S *	10/2006	Arvidsson et al.	D8/66
7,137,877	B2 *	11/2006	Uhl et al.	451/358
D533,039	S *	12/2006	Arvidsson et al.	D8/66

D533,757	S *	12/2006	Arvidsson et al.	D8/66
D561,551	S *	2/2008	Tinius	D8/66
D579,742	S *	11/2008	Arvidsson et al.	D8/66
D596,912	S *	7/2009	Arvidsson et al.	D8/66
D609,070	S *	2/2010	Tinius	D8/62
2008/0196687	A1 *	8/2008	Kohler et al.	123/198 E

* cited by examiner

Primary Examiner — Austin Murphy

(74) *Attorney, Agent, or Firm* — Rhonda L. Barton

(57) **CLAIM**

The ornamental design for a power cutter, as shown and described.

DESCRIPTION

FIG. 1 is a perspective view of a power cutter showing my new design;

FIG. 2 is a right side view thereof;

FIG. 3 is a left side view thereof;

FIG. 4 is a front view thereof;

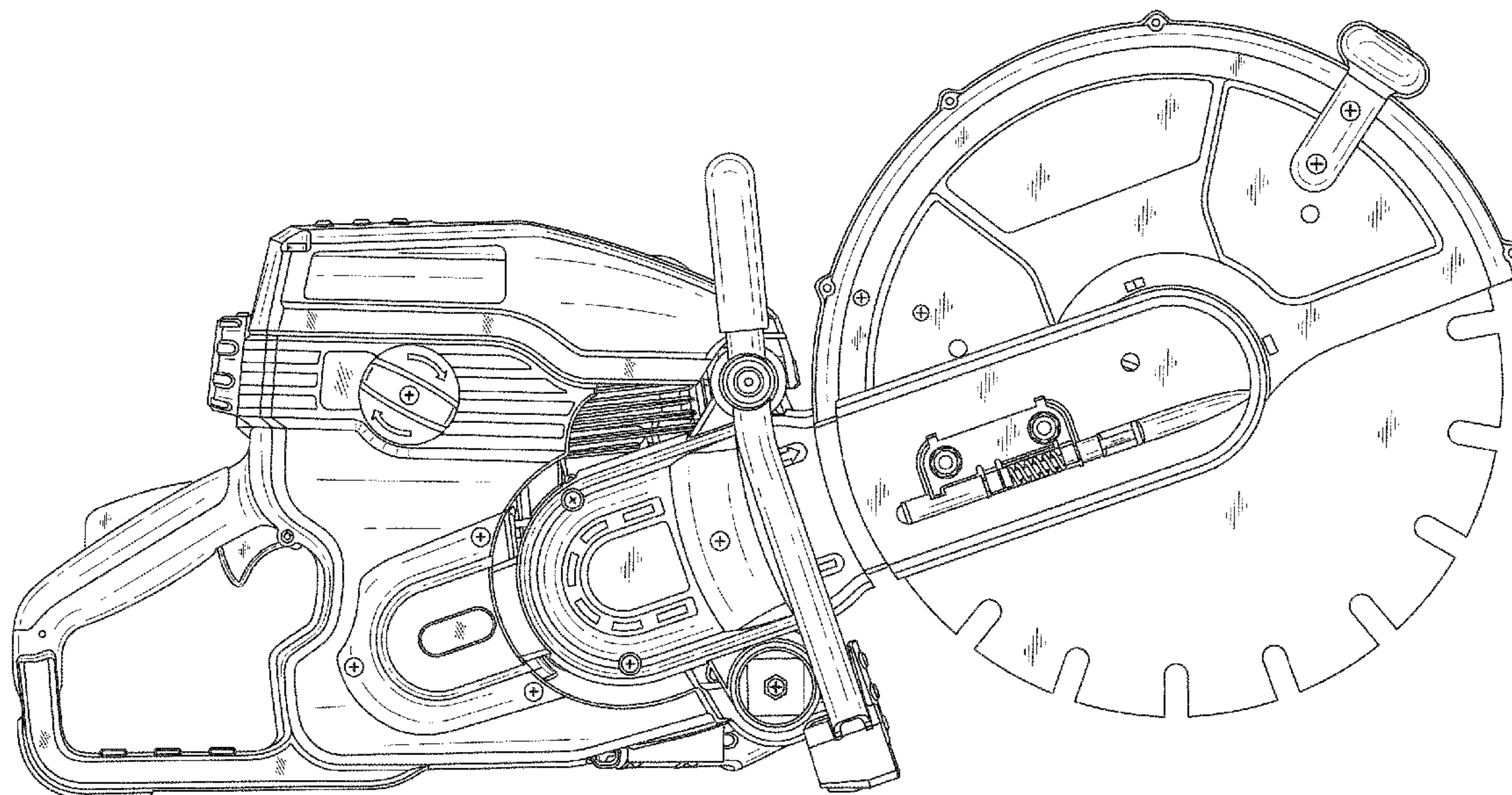
FIG. 5 is a back view thereof;

FIG. 6 is a top view thereof; and,

FIG. 7 is a bottom view thereof.

The broken lines shown in the drawings represent portions of the power cutter that form no part of the claimed design.

1 Claim, 6 Drawing Sheets



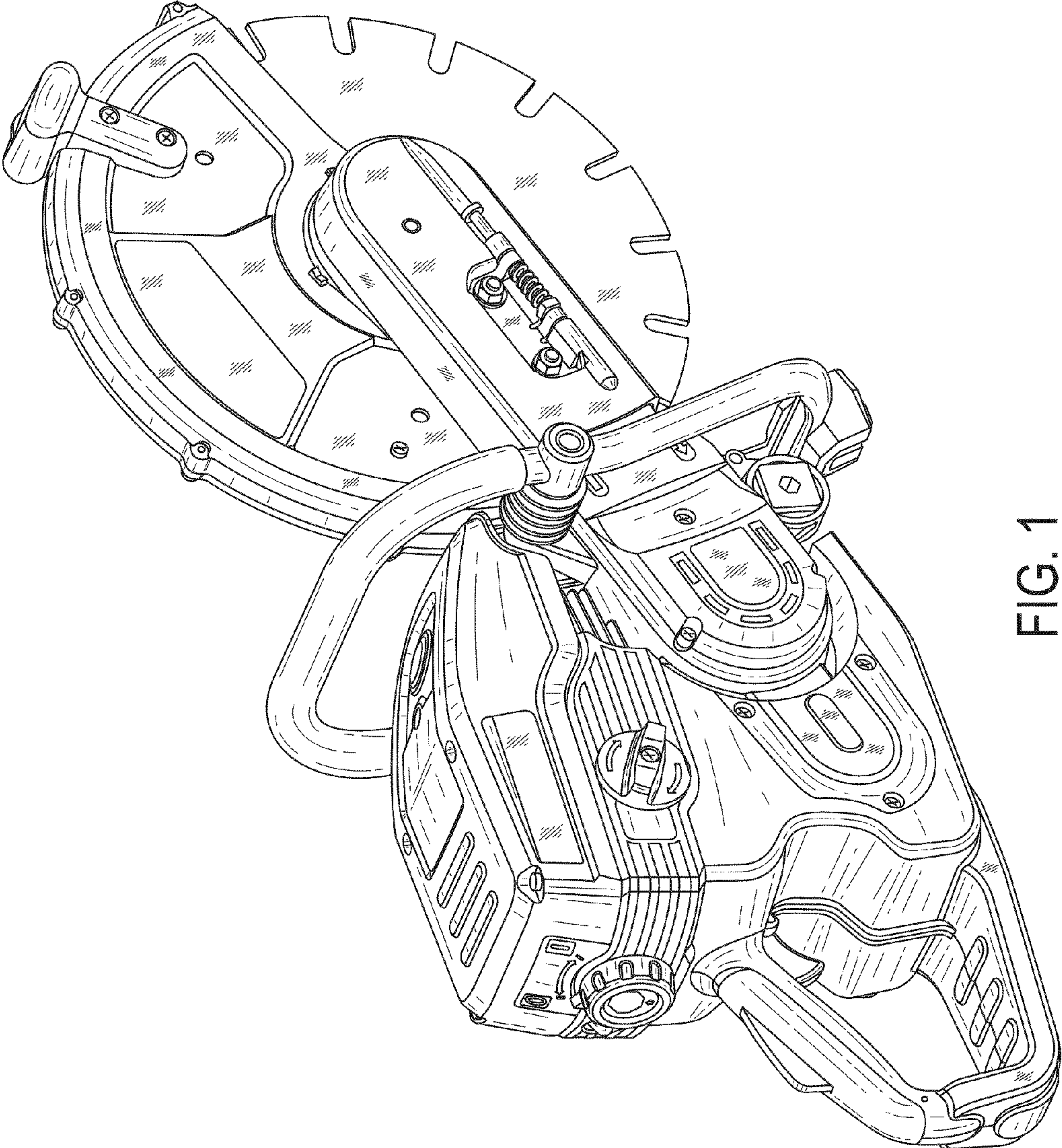


FIG. 1

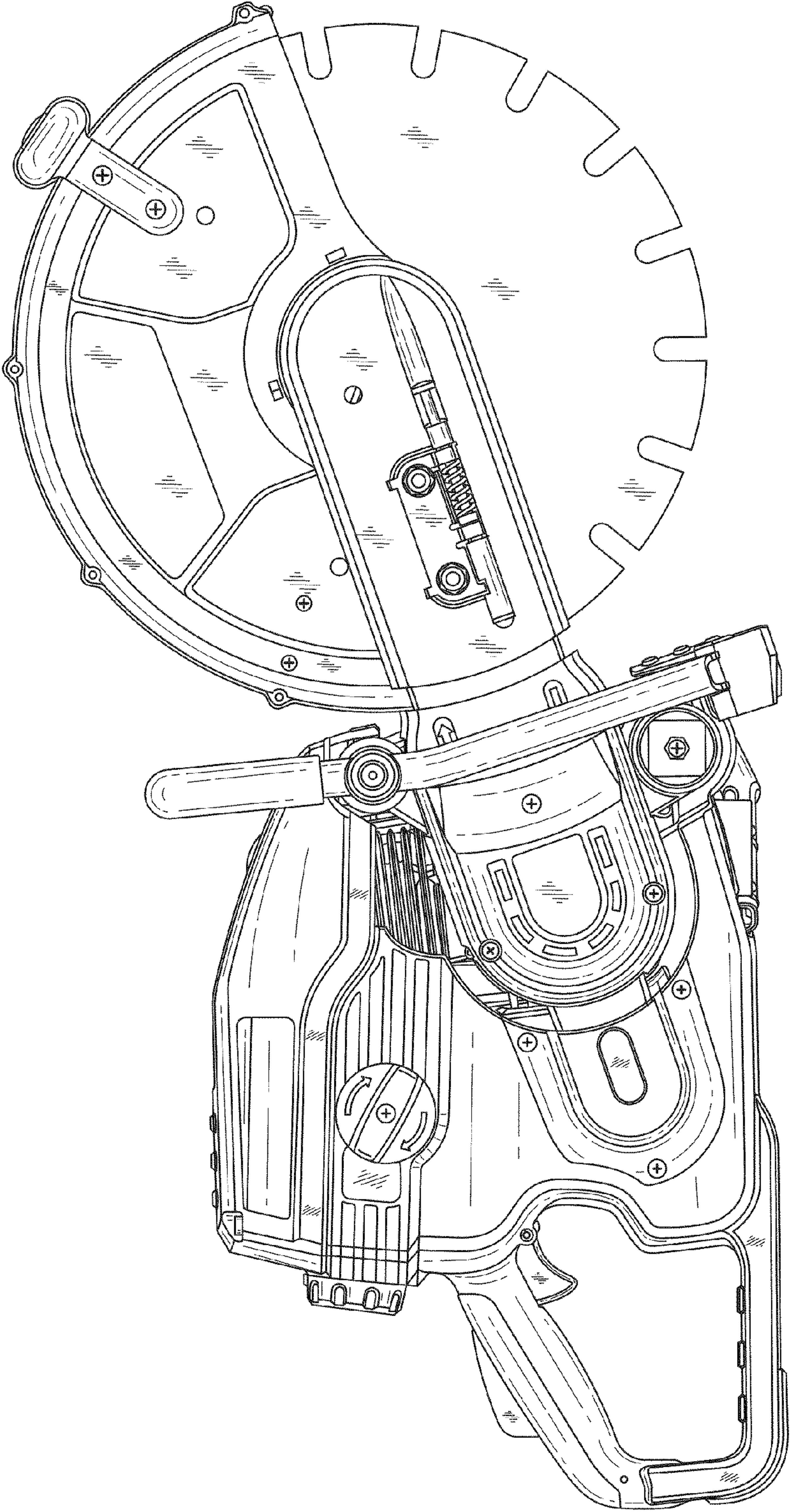


FIG. 2

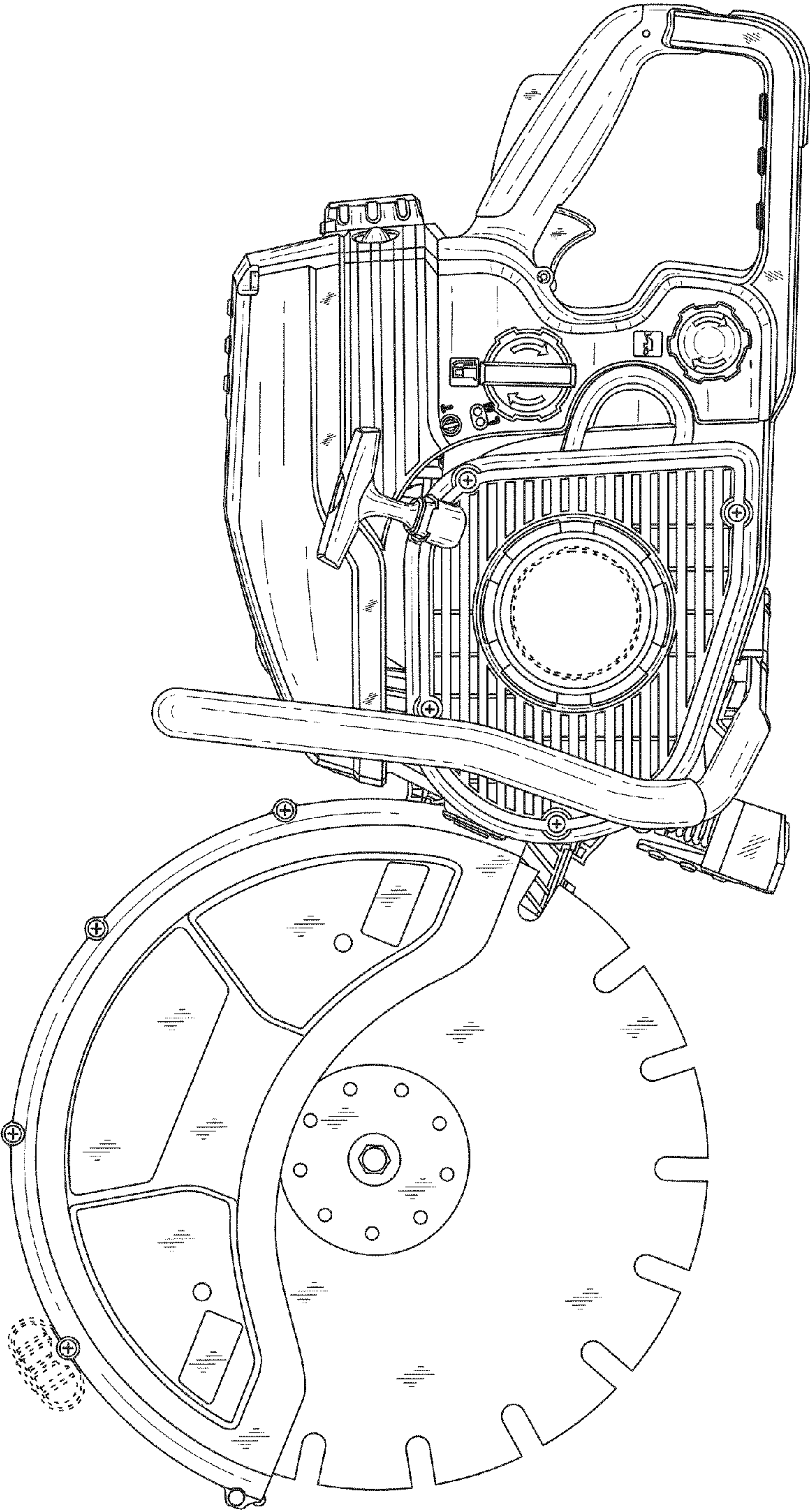


FIG. 3

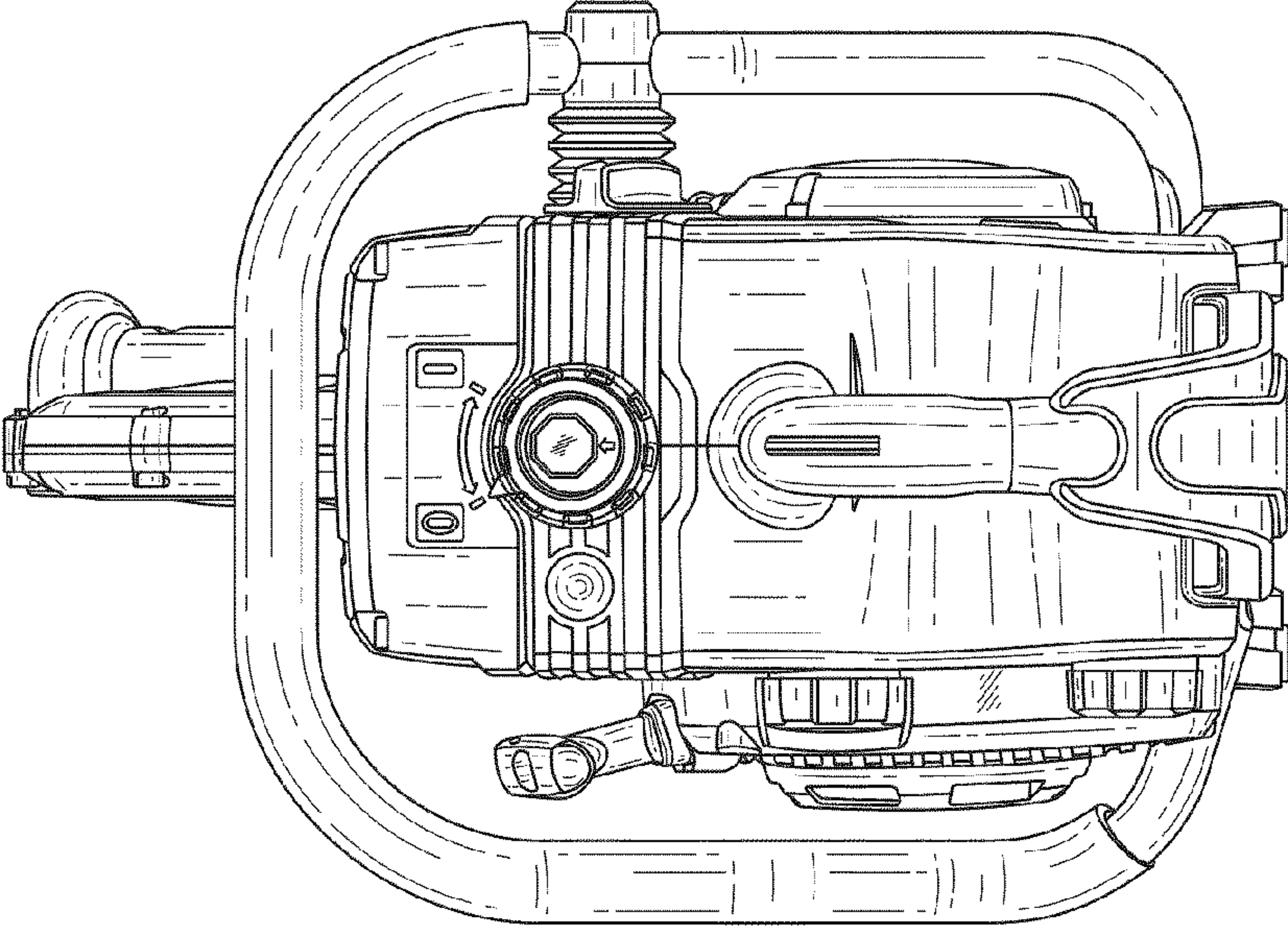


FIG. 5

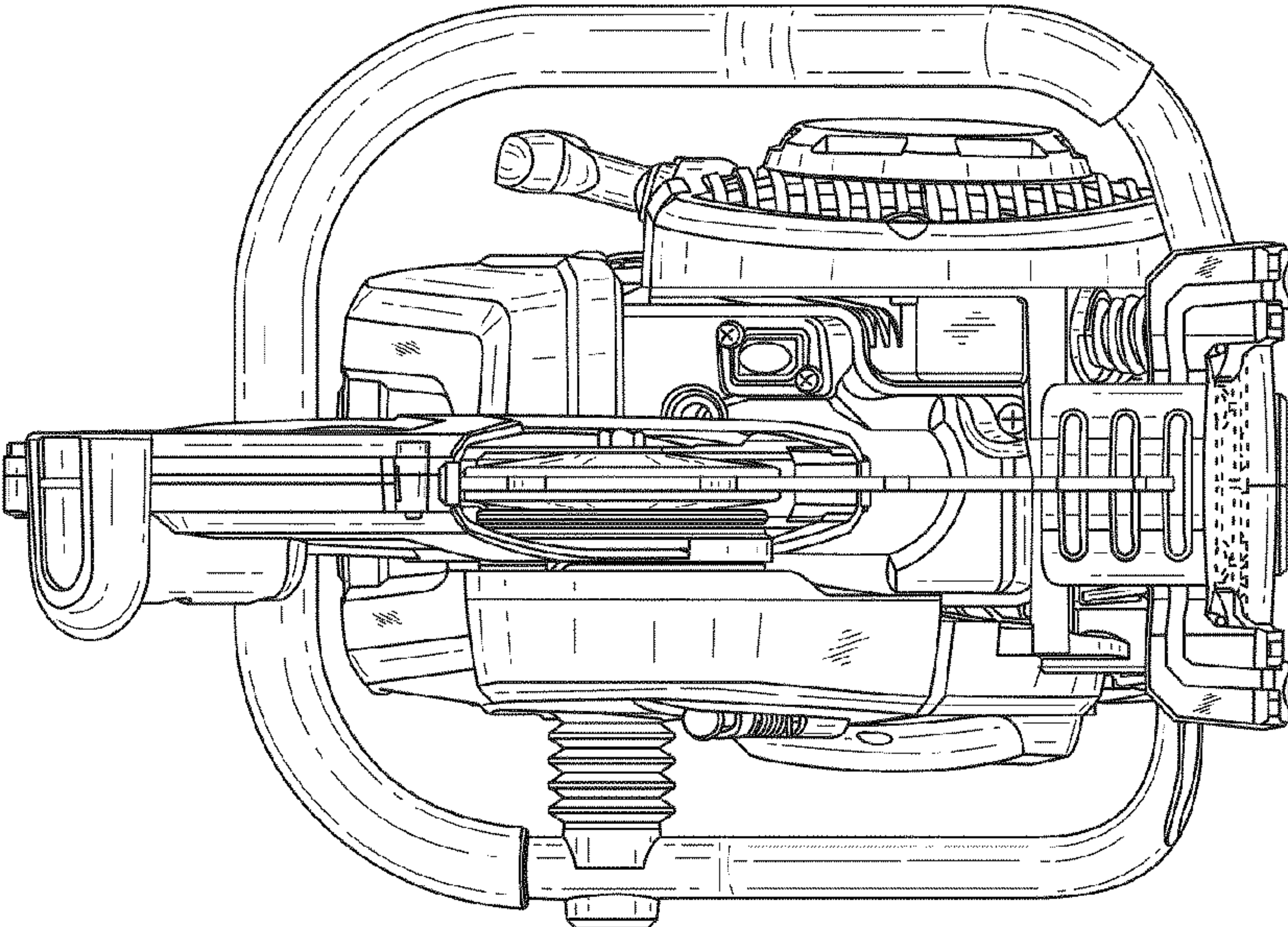


FIG. 4

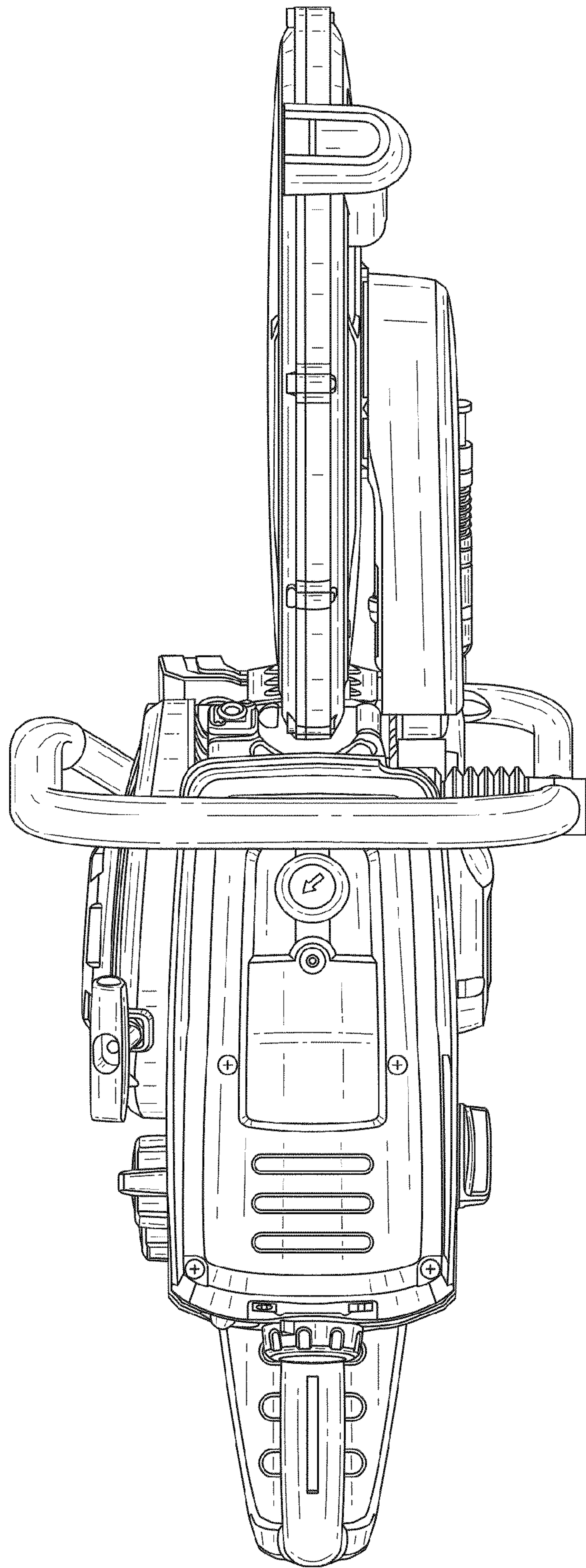


FIG. 6

