



US00D648993S

(12) **United States Design Patent**
Tinius

(10) **Patent No.:** **US D648,993 S**

(45) **Date of Patent:** **** Nov. 22, 2011**

(54) **BRUSHCUTTER**

(75) Inventor: **Michael Tinius**, Ulm (DE)

(73) Assignee: **Andreas Stihl AG & Co. KG**,
Waiblingen, Alemania (DE)

(**) Term: **14 Years**

(21) Appl. No.: **29/377,770**

(22) Filed: **Oct. 26, 2010**

(30) **Foreign Application Priority Data**

Apr. 26, 2010 (EM) 001210785-0004

(51) **LOC (9) Cl.** **08-01**

(52) **U.S. Cl.** **D8/8**

(58) **Field of Classification Search** D8/8, 7,
D8/9; D15/17, 1; 30/276, 208–210, 347,
30/228, 382–383; 56/12.7, 233–234

See application file for complete search history.

(56) **References Cited**

U.S. PATENT DOCUMENTS

D382,779 S * 8/1997 Meisner et al. D8/8

D382,780 S * 8/1997 Meisner et al. D8/8

D463,230 S * 9/2002 Robson D8/8
D584,581 S * 1/2009 Bradford D8/8
D599,632 S * 9/2009 Bradford D8/8

* cited by examiner

Primary Examiner — Holly Baynham

Assistant Examiner — Sheryl Lane

(74) *Attorney, Agent, or Firm* — McGuireWoods LLP

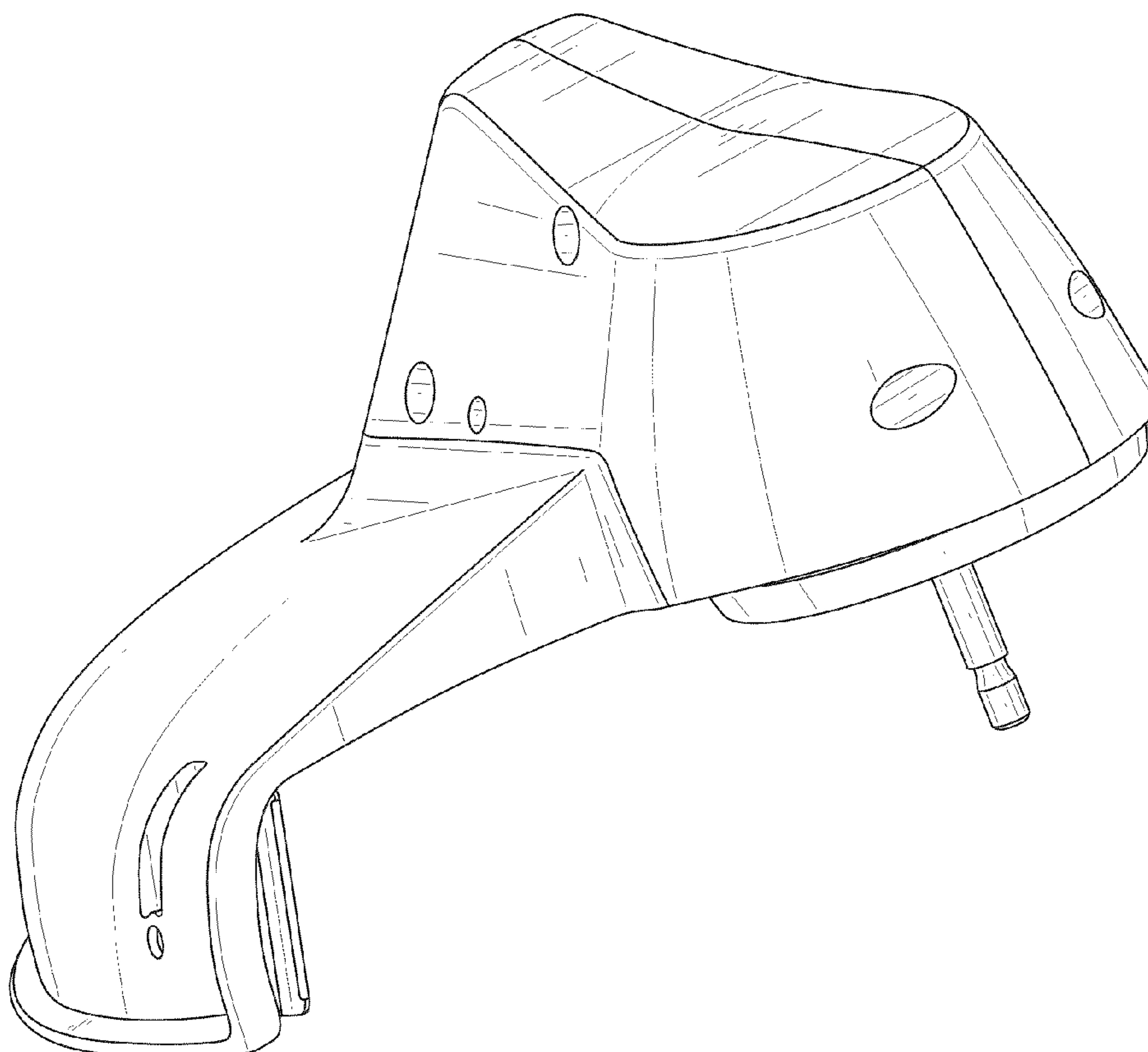
(57) **CLAIM**

I claim the ornamental design for a brushcutter, as shown and described.

DESCRIPTION

FIG. 1 is a right perspective view of the brushcutter;
FIG. 2 is a front view of the brushcutter shown in FIG. 1;
FIG. 3 is a rear view of the brushcutter shown in FIG. 1;
FIG. 4 is a right side view of the brushcutter shown in FIG. 1;
FIG. 5 is a left side view of the brushcutter shown in FIG. 1;
FIG. 6 is a top view of the brushcutter shown in FIG. 1; and,
FIG. 7 is a bottom view of the brushcutter shown in FIG. 1.
The broken line showing of the brushcutter is for the purpose of illustrating portions of the brushcutter and is not part of the claimed design.

1 Claim, 7 Drawing Sheets



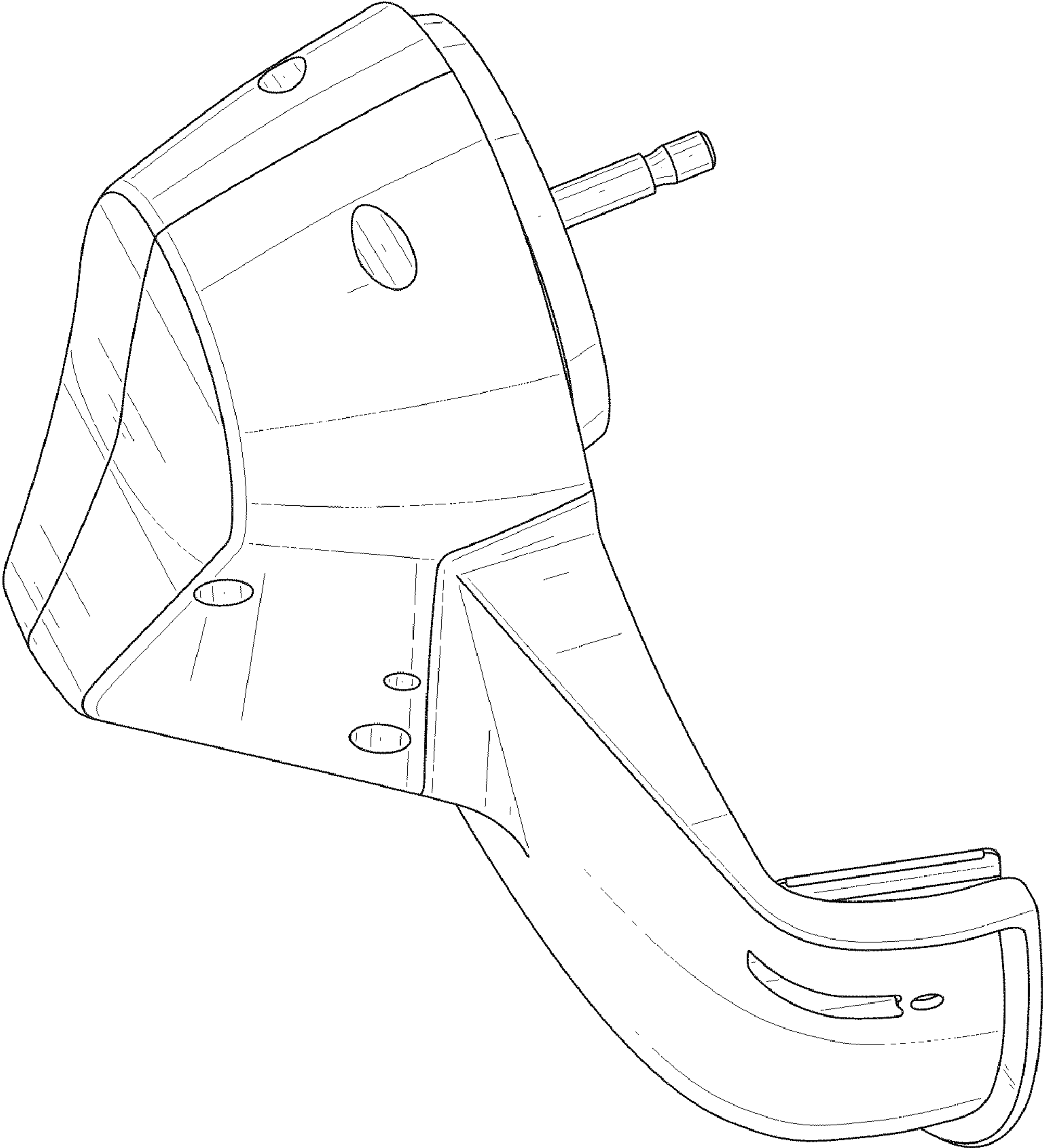


FIG. 1

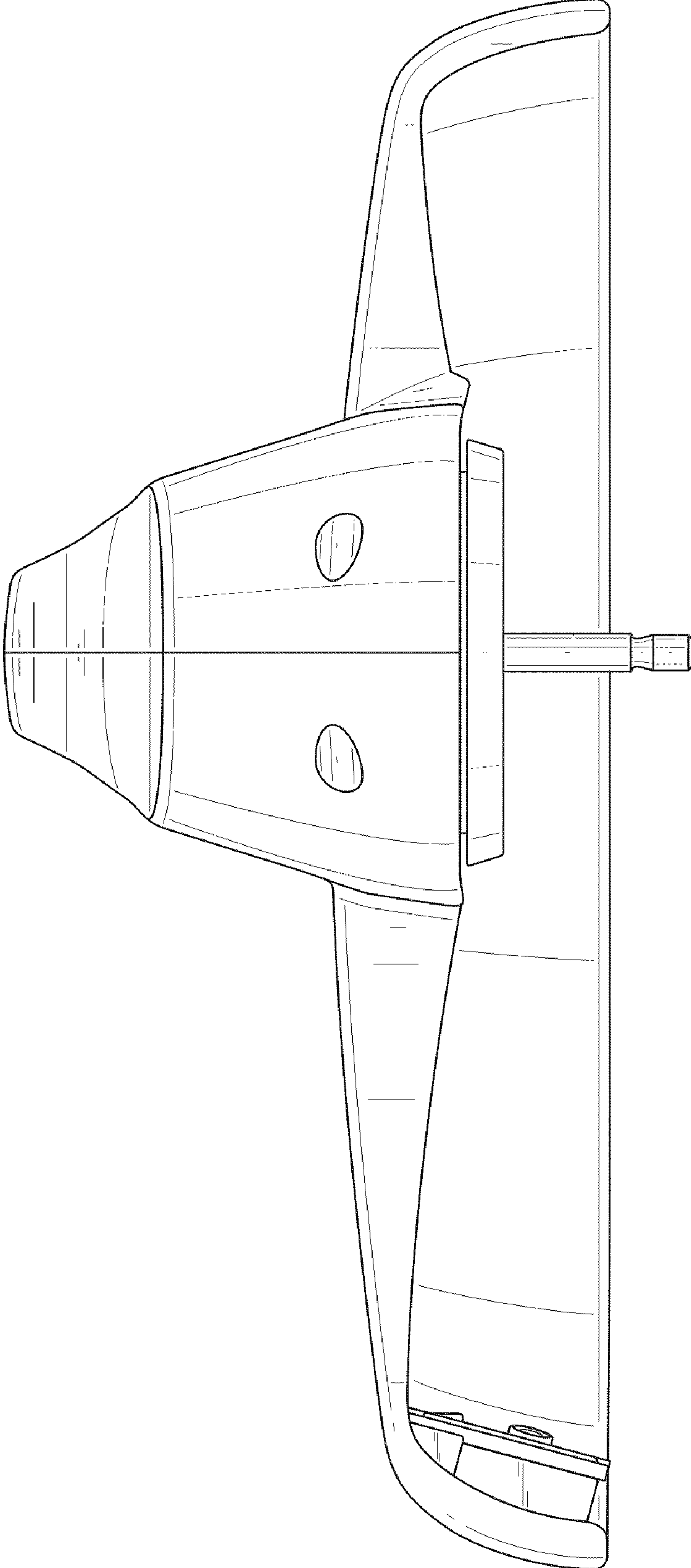


FIG. 2

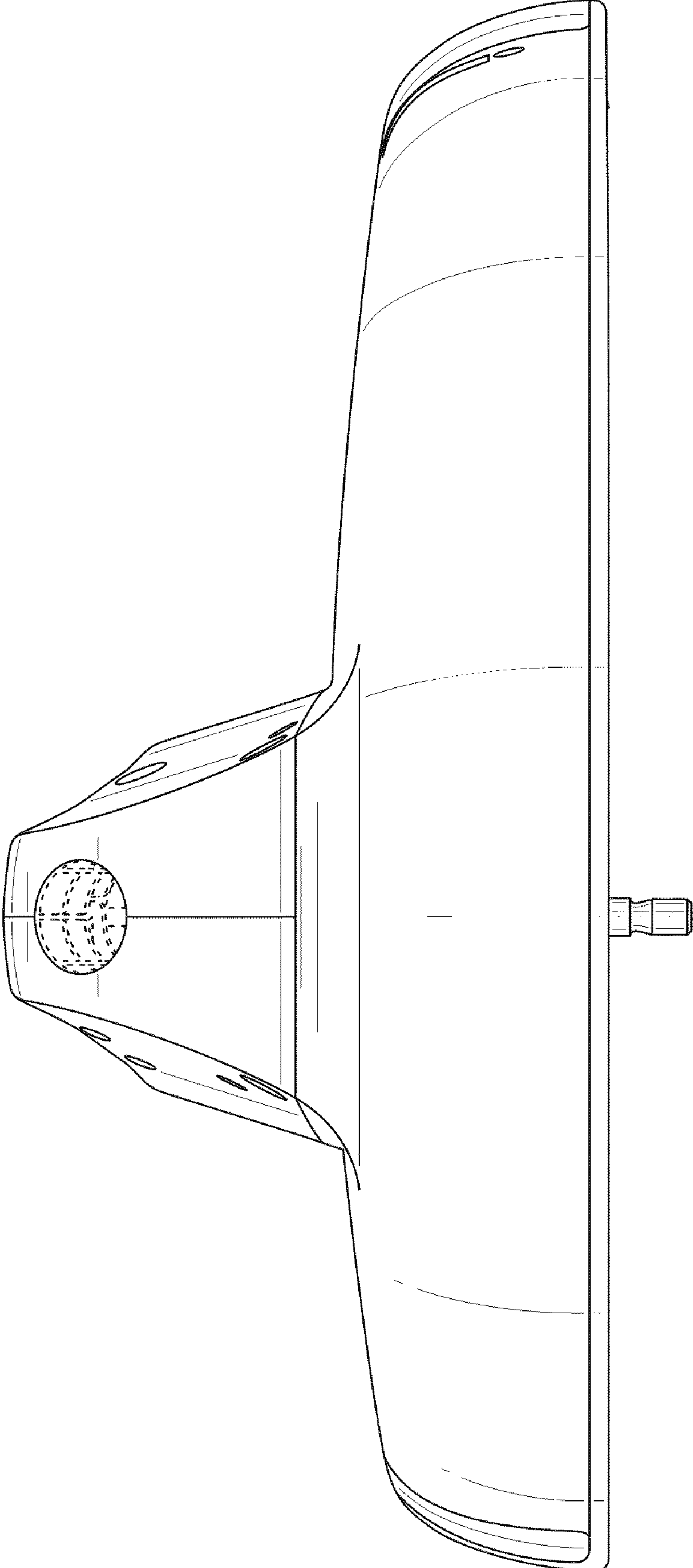


FIG. 3

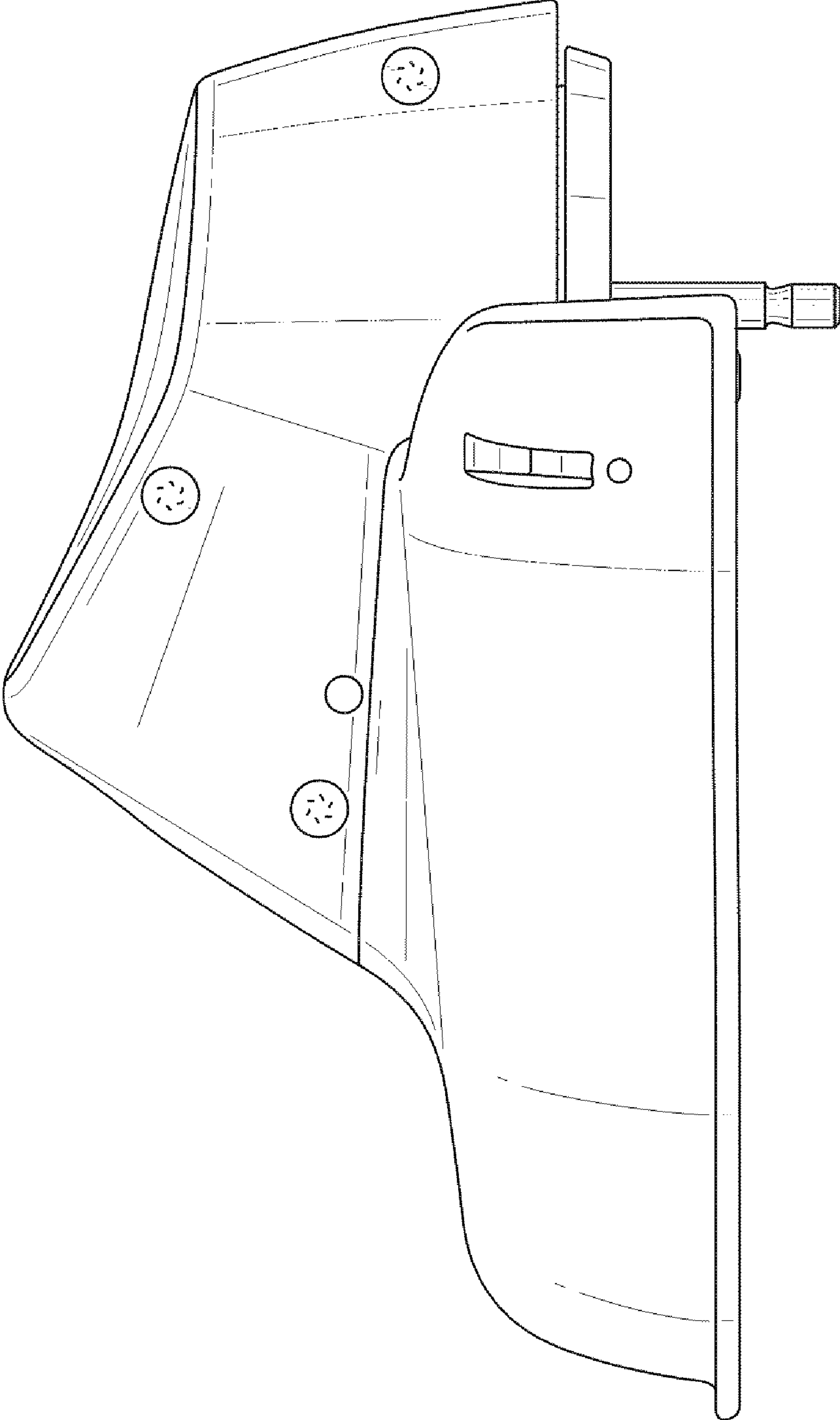


FIG. 4

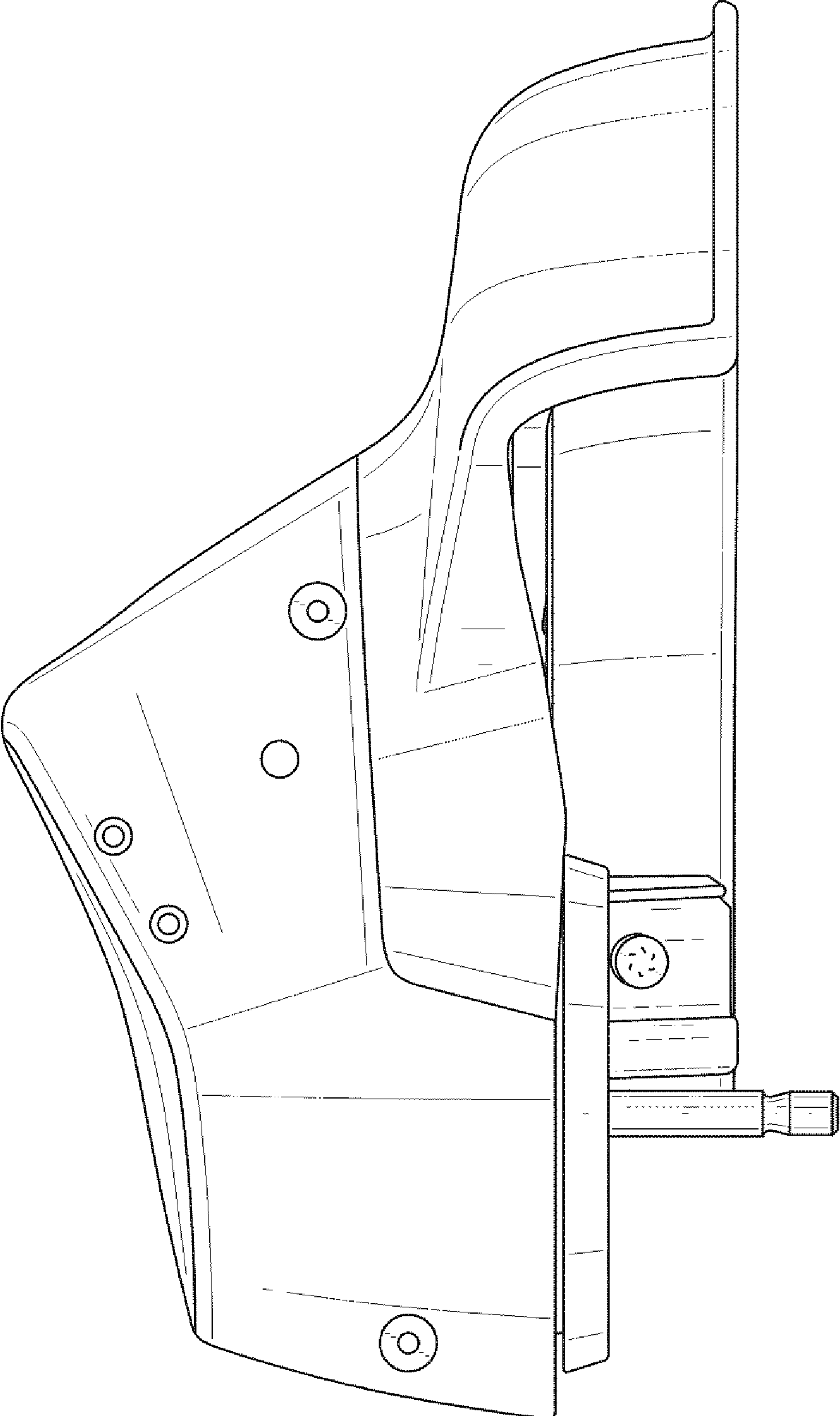


FIG. 5

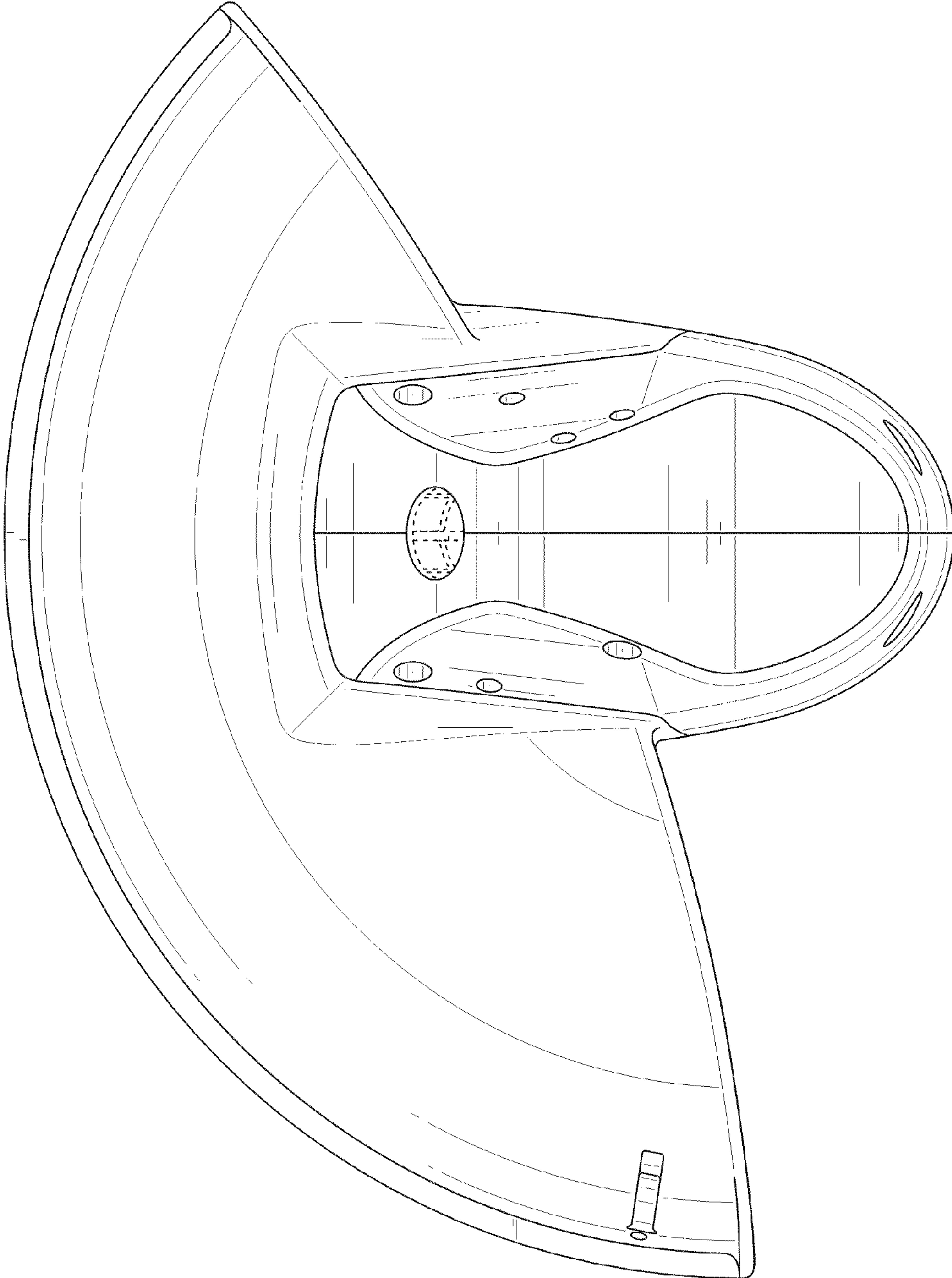


FIG. 6

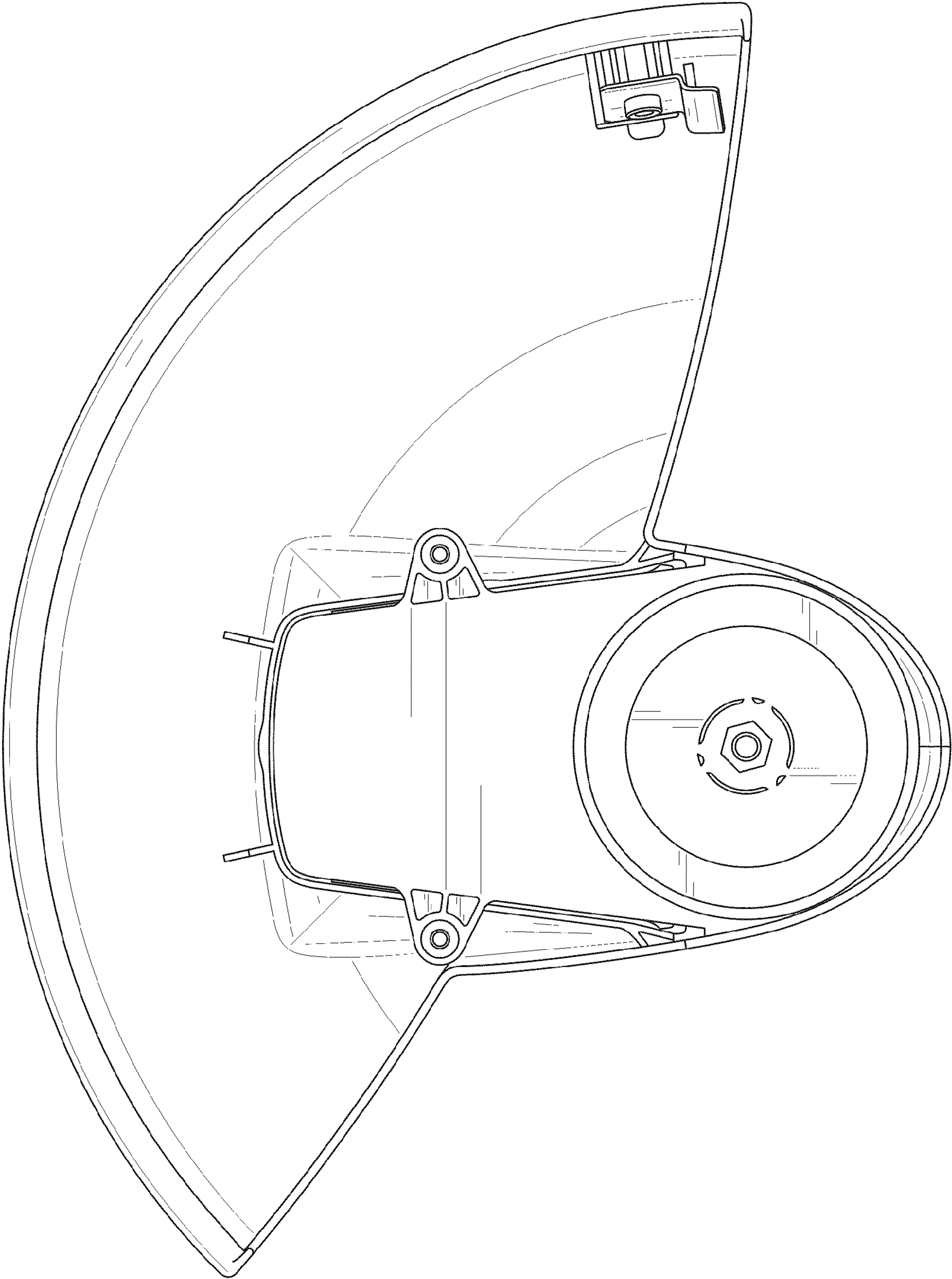


FIG. 7